

REPLACEMENT PARTS MANUAL

PACKAGED HEAT PUMP MODEL RPMH30B, RPMH36B

Manual 2110-253

Revision --

Date 8-17-89

Supersedes

* GENERAL NOTES *

*Revised and/or additional pages may be issued from time to time.
*A complete and current manual consists of pages dated as shown in the following index.

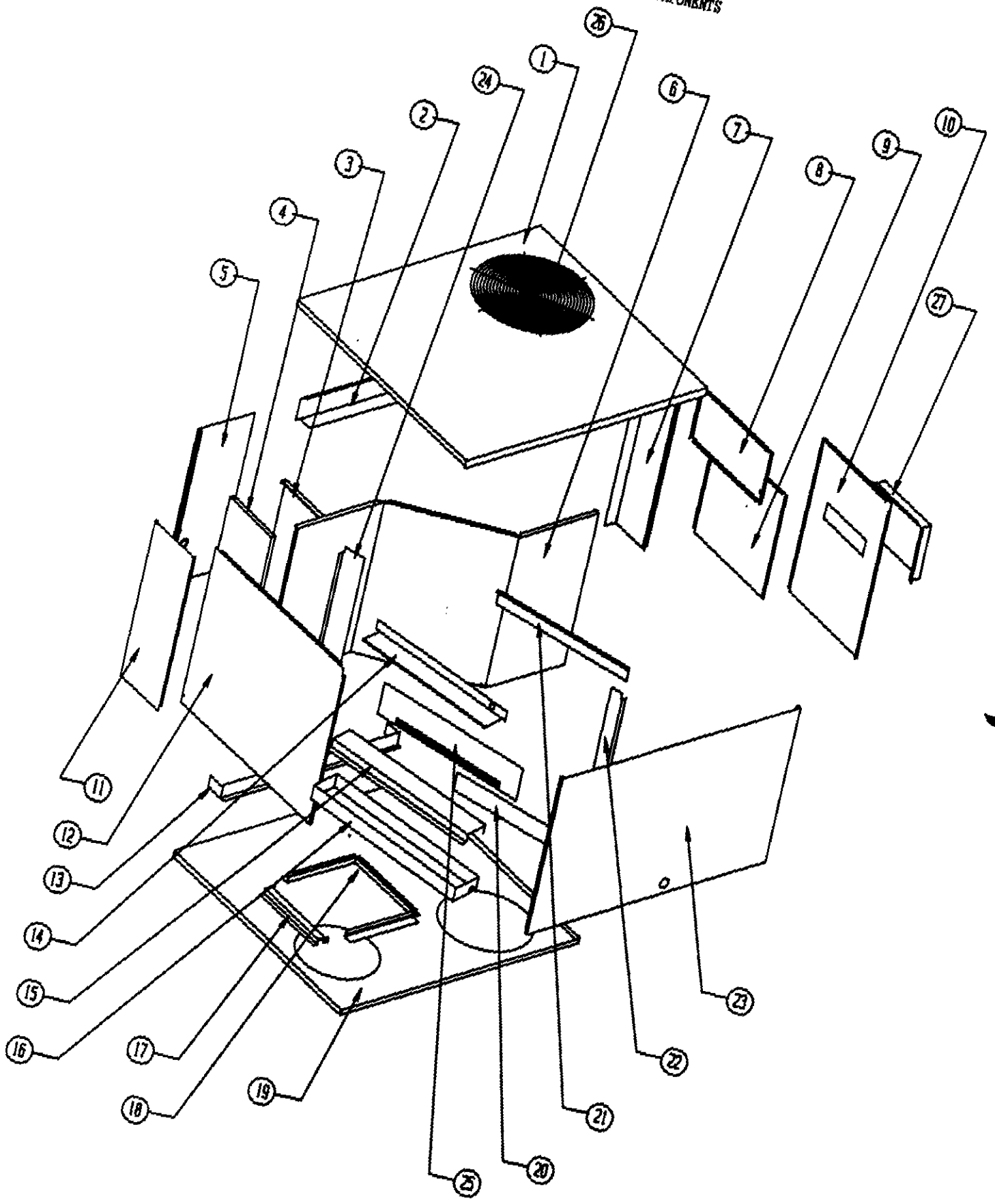
** INDEX **

<u>Page Description</u>	<u>Page</u>	<u>Date</u>	<u>Supersedes</u>
Cabinet Components--Exploded View	1	8-17-89	
" " --Usage List	2	8-17-89	
Functional Components--Exploded View	3	8-17-89	
" " --Usage List	4	8-17-89	
Control Panel--Layout	5	8-17-89	
" " --Usage	6	8-17-89	

*** IMPORTANT ***

Contact the installing and/or local Bard distributor for all parts requirements. Make sure you have the complete model and serial number available from the unit rating plate.

CABINET COMPONENTS



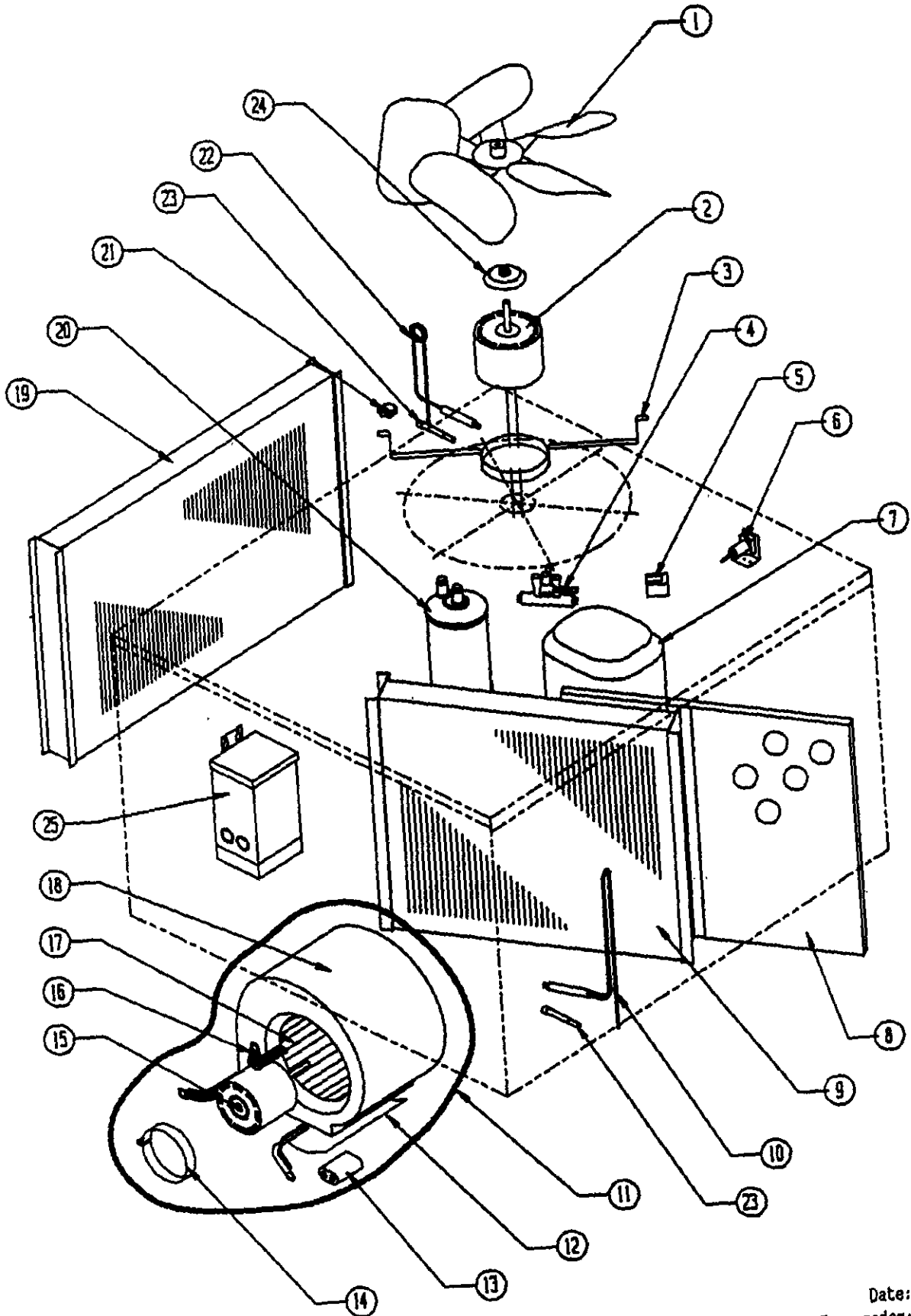
Date: 8-17-89
Supersedes:

CABINET COMPONENTS

Dwg. No.	Part No.	Description	U S A G E
1	507-014	Top	X
2	136-020	Condenser Fill Plate (RPMA's only)	X
2	136-021	Condenser Fill Plate (RPMH's only)	X
3	134-057	Rain Shield	X
4	Cntrl Pnl Assembly	See Control Panel Assembly Drawing and Parts List	X
5	149-047	Control Panel Corner	X
6	521-081	Partition	X
7	149-051	Condenser Corner	X
8	152-109	Fan Service Door	X
9	152-110	Compressor Service Door	X
10	553-010	Filter Access Door	X
11	132-049	Control Panel Cover	X
12	553-100	Blower Service Door	X
13	140-041	Condenser Coil Support (RPMH's only)	X
14	136-029	Top Evap. Fill Plate	X
15	140-040	Evap. Coil Base	X
16	123-011	Drain Pan	X
17	144-095	Blower Slide End	X
18	144-094	Blower Slide	X
19	527-014	Base	X
20	137-027	Lower Filter Fill	X
21	136-022	Upper Filter Fill	X
22	141-043	Filter Support	X
23	514-010	Front	X
24	141-042	Evap. Coil Support	X
25	137-028	Evap. Coil Fill (RPMA's only)	X
26	7051-014	Fan Grille	X
27	962001	Fresh Air Damper	X

Date: 8-17-89
Supersedes:

FUNCTIONAL COMPONENTS



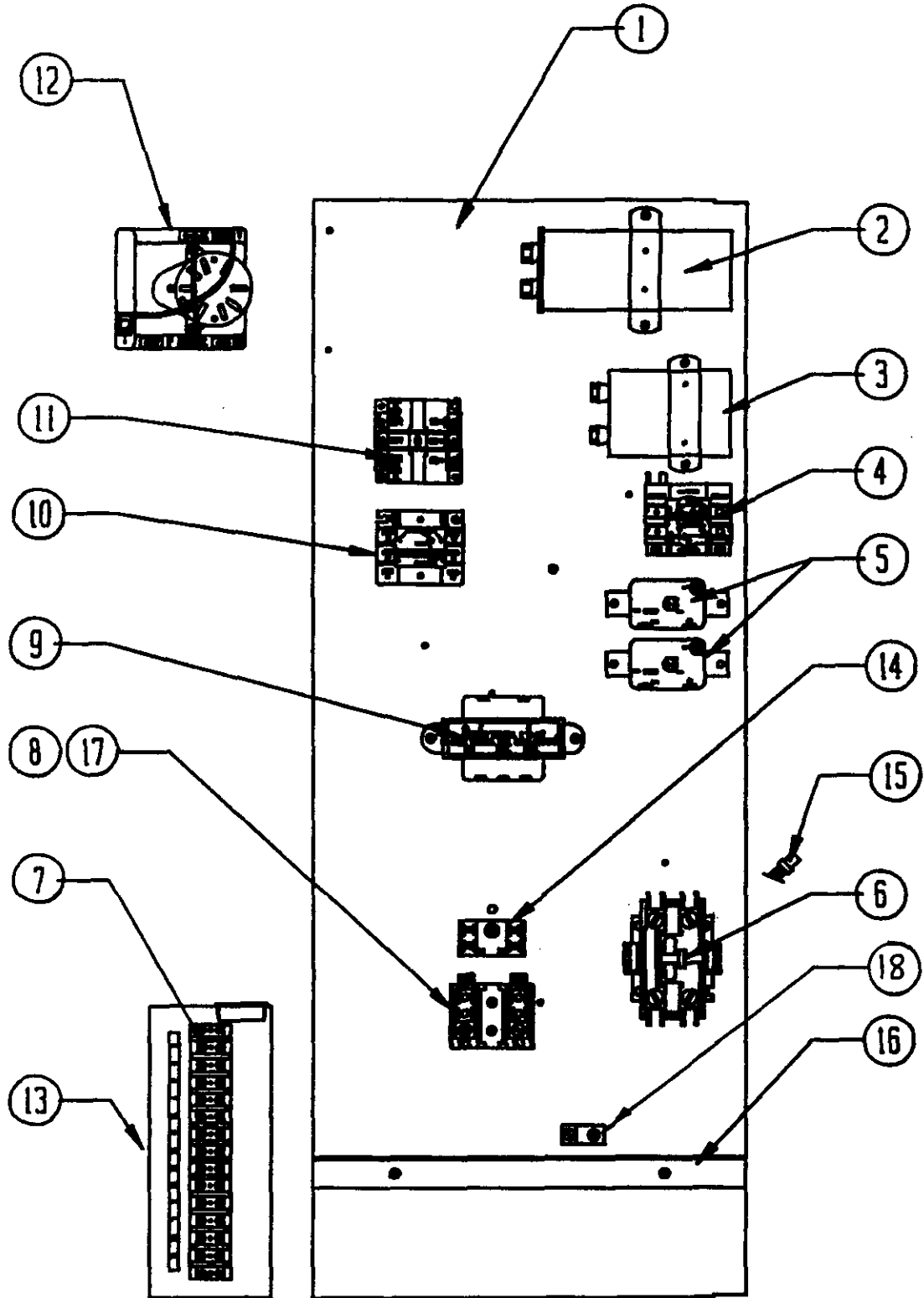
Date: 8-17-89
Supersedes:

FUNCTIONAL COMPONENTS

Dwg. No.	Part No.	Description	R	R	R	R	R	R
			P	P	P	P	P	P
			M	M	M	M	M	M
			H	H	H	H	H	H
			3	3	3	6	6	6
			O	O	O	B	B	B
			B	B	B	B	B	B
				B	C		B	C
1	5151-031	Fan Blade	X	X	X	X	X	X
2	8103-013	Motor	X	X	X	X	X	X
3	8200-022	Motor Mount	X	X	X	X	X	X
4	5650-005	Reversing Valve	X	X	X			
4	5650-014	Reversing Valve				X	X	X
5	5650-012	Solenoid Coil	X	X	X	X	X	X
6	8406-011	High Pressure Switch	X	X	X	X	X	X
7	8000-052	Compressor	X					
7	8000-053	Compressor		X				
7	8000-054	Compressor			X			
7	8000-055	Compressor				X		
7	8000-056	Compressor					X	
7	8000-057	Compressor						X
8	7004-015	Filter 24 x 24 x 1	X	X	X	X	X	X
9	5060-022	Evaporator Coil	X	X	X	X	X	X
10	800-0027	Cooling Capillary Tube Assembly	X	X	X	X	X	X
11	900-131	Complete Blower Assembly	X	X	X	X	X	X
12	144-126	Diffuser	X	X	X	X	X	X
13	8552-019	Capacitor 5/440	X	X	X	X	X	X
14	8200-033	Motor Mount band	X	X	X	X	X	X
15	8105-010	Motor	X	X	X	X	X	X
16	8200-034	Motor Mount Arm	3	3	3	3	3	3
17	5152-010	Blower Wheel	X	X	X	X	X	X
18	151-080	Blower Housing	X	X	X	X	X	X
19	5051-003	Condenser Coil	X	X	X	X	X	X
20	5202-014	Accumulator	X	X	X			
20	5202-016	Accumulator				X	X	X
21	8408-016	Defrost Thermostat	X	X	X	X	X	X
22	800-0025	Heating Capillary Tube Assembly	X	X	X			
22	800-0026	Heating Capillary Tube Assembly				X	X	X
23	5651-036	Check Valve	2	2	2	2	2	2
24	5153-022	Rain Shield	X	X	X	X	X	X
25	8407-003	Transformer			X			X

Date: 8-17-89
Supersedes:

CONTROL PANEL



Date: 8-17-89
Supersedes:

CONTROL PANEL

Dwg. No.	Part No.	Description	R P M H 3 O B	R P M H 3 O B B	R P M H 3 O B C	R P M H 3 6 B	R P M H 3 6 B B	R P M H 3 6 B C
1	116-089	Control Panel	X	X	X	X	X	X
2	8552-035	Capacitor 40/370	X			X		
3	8552-002	Capacitor 5/370	X	X	X	X	X	X
4	8201-031	Compressor Fault Relay	X			X		
5	8201-008	Blower Relay	X	X	2	X	X	2
6	8401-007	Contactor	X			X		
6	8401-002	Contactor		X	X		X	X
7	8607-010	Terminal Strip	X	X	X	X	X	X
8	8607-013	Terminal Block	X			X		
8	8607-014	Terminal Block		X	X		X	X
9	8407-035	Transformer	X	X	X	X	X	X
10	8201-013	Em. Heat Relay	X	X	X	X	X	X
11	8201-047	Defrost Relay	X	X	X	X	X	X
12	8612-012	Defrost Timer	X	X	X	X	X	X
13	116-090	Low Voltage Box	X	X	X	X	X	X
14	8607-017	Terminal Block			X			X
15	3000-908	Wire Assembly	X	X	X	X	X	X
16	116-091	Partition	X	X	X	X	X	X
17	8607-015	Phenolic Insulator			X			X
18	8611-006	Ground Terminal	X	X	X	X	X	X
	4071-110	Wiring Diagram	X			X		
	4071-210	Wiring Diagram		X			X	
	4071-310	Wiring Diagram			X			X

Date: 8-17-89
Supersedes:

