

# REPLACEMENT PARTS MANUAL

## PACKAGE AIR CONDITIONERS

MODELS: P1124A1, P1130A1, P1136A1

Manual 2110-207

Revision E

Date 03-27-95

Supersedes 09-07-94

\*\*\*\*\*  
\* GENERAL NOTES \*  
\*\*\*\*\*

\*Revised and/or additional pages may be issued from time to time.  
\*A complete and current manual consists of pages dated as shown in the following index.

\*\*\*\*\*  
\*\* INDEX \*\*  
\*\*\*\*\*

<u>Page Description</u>	<u>Page</u>	<u>Date</u>	<u>Supersedes</u>
Cabinet Components--Exploded View	1	3-27-95	1-18-91
" " --Usage List	2	3-27-95	1-18-91
Functional Components--Exploded View	3	1-18-91	
" " --Usage List	4	3-27-95	9-07-94
Control Panel--Layout	5	1-18-91	
" " --Usage List	6	3-27-95	8-09-94
Control Panel--P1136-B, P1136-C--Layout	7	4-20-94	
" " --Usage List	8	3-27-95	4-20-94

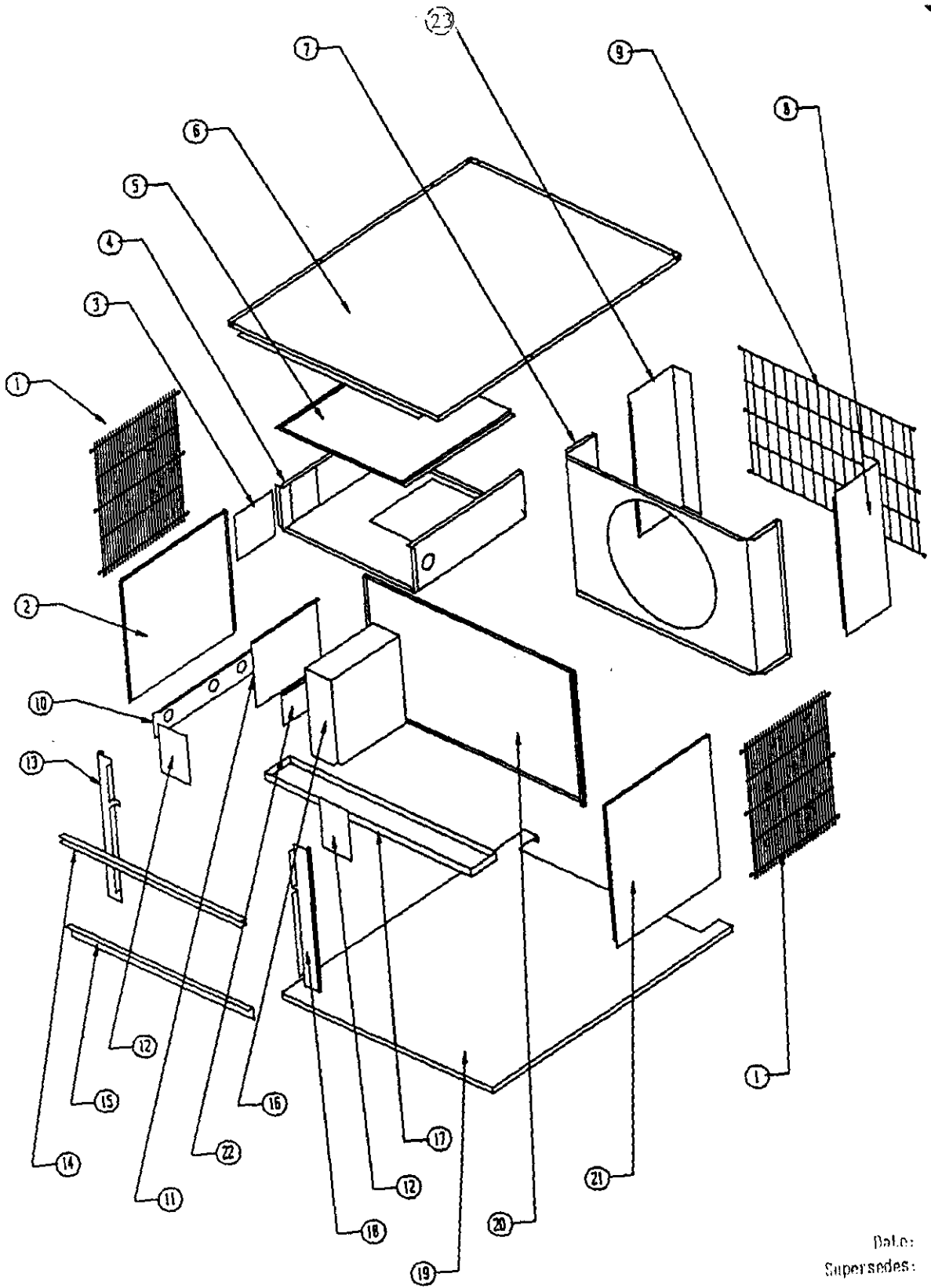
\*\*\*\*\*  
\*\*\* IMPORTANT \*\*\*  
\*\*\*\*\*

Contact the installing and/or local Bard distributor for all parts requirements. Make sure you have the complete model and serial number available from the unit rating plate.

BARD MANUFACTURING COMPANY

BRYAN, OHIO 43506

CABINET COMPONENTS



Date: 3-27-95  
Supersedes: 1-18-91

2110-207

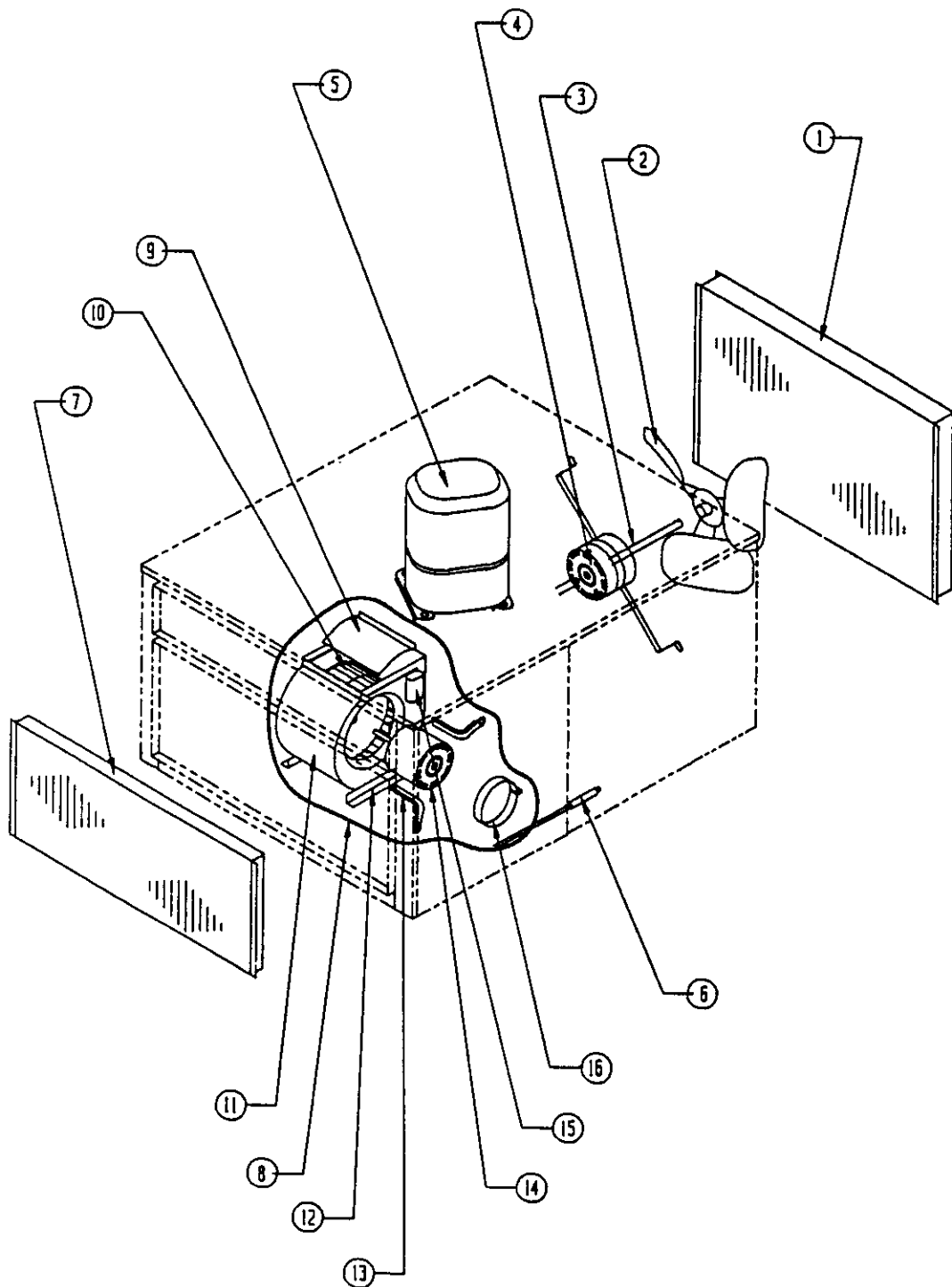
Page: 1

CABINET COMPONENTS

Item	Part No.	Description	U S A G E
1	7051-015	Inlet Grille	2
2	500-133	Left Side	X
3	142-017	Cover Plate--OKW	X
4	520-284	Blower Partition (P1024A1 only)	X
4	520-286	Blower Partition (all models except P1024A1)	X
5	134-017	Heat Strip Shield	X
6	506-168	Top	X
7	124-012	Fan Shroud	X
8	148X083	Right Rear Corner	2
9	7051-001	Condenser Grille	X
10	556-028	Entrance Panel	X
11	132-035	Control Panel Cover	X
12	136-312	Blower Fill Plates	2
13	548-082	Left Front Cover	X
14	164-552	Plenum Channel	X
15	104-521	Plenum Angle	X
16	Cntrl Pnl Assembly	See Control Panel Drawing and Parts List	X X
17	122-088	Drain Pan	X
18	548-081	Right Front Corner	X
19	527-255	Base	X
20	520-283	Compressor Partition	X
21	500-132	Right Side	X
22	142-016	Entrance Cover	X
23	148Y083	Left Rear Corner	X

Date: 3-27-95  
Supersedes: 1-18-91

FUNCTIONAL COMPONENTS



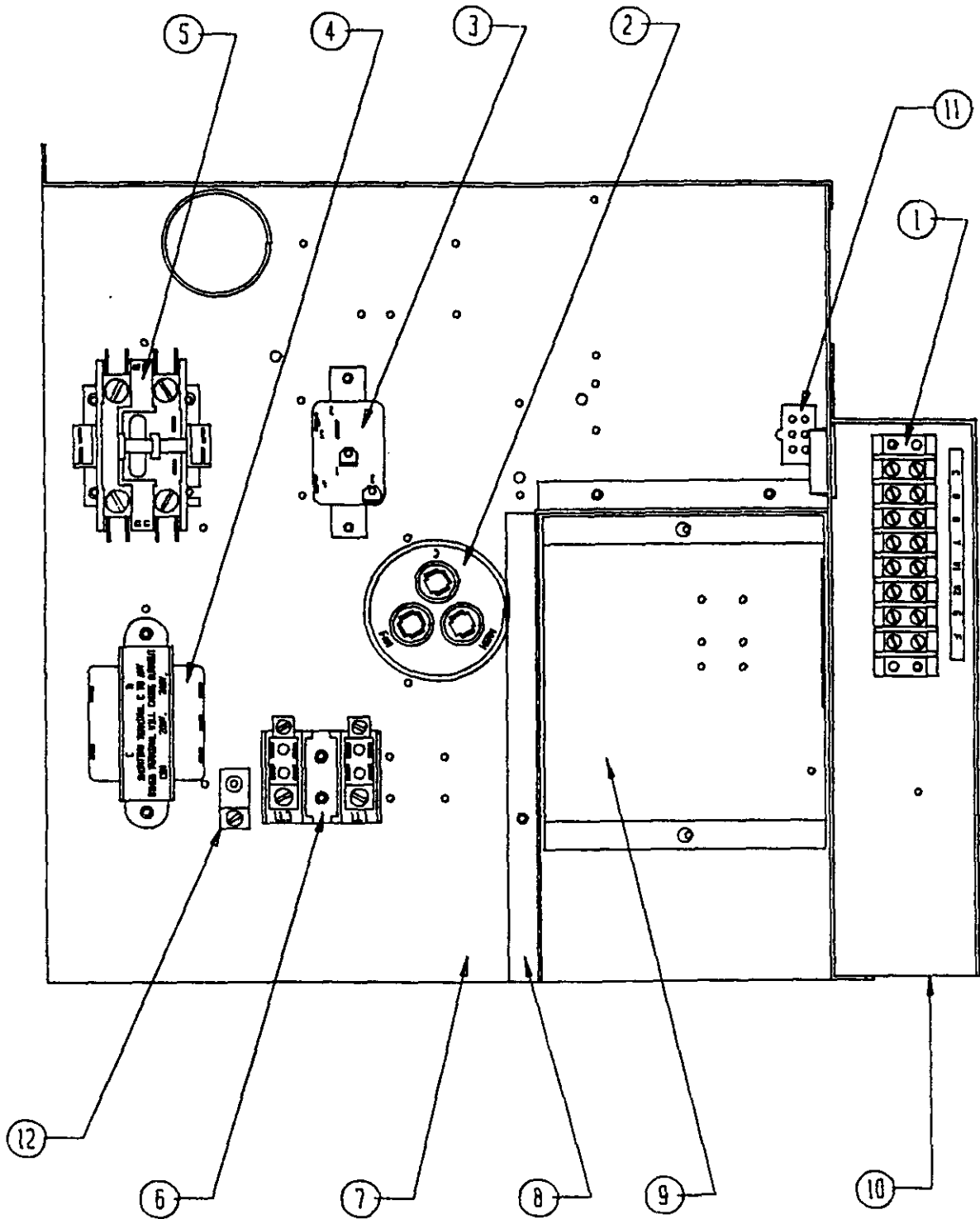
Date: 1-18-91  
Supersedes:

FUNCTIONAL COMPONENTS

Dwg. No.	Part No.	Description	P	P	P	P	P	P	P	P
			1	1	1	1	1	1	1	1
			2	2	3	3	3	3	3	3
			A	A	O	O	A	A	A	A
			1	1	1	1	1	1	1	1
				-		-		B	C	D
1	5051-035	Condenser Coil	x	x	x	x				
1	5051-050	Condenser Coil					x	x	x	x
2	5151-034	Fan Blade	x	x						
2	5151-004	Fan Blade			x	x	x	x	x	x
3	8200-001	Motor Mount	x	x	x		x	x	x	x
4	8103-014	Motor							x	
4	8103-016	Motor	x	x						
4	8103-019	Motor			x	x	x	x		x
5	8000-116	Compressor	x							
5	8000-117	Compressor			x					
5	8000-115	Compressor					x			
5	8000-163	Compressor						x		
5	8000-164	Compressor							x	
5	8000-169	Compressor		x						
5	8000-173	Compressor				x				
5	8000-184	Compressor								x
6	800-0049	Capillary Tube Assembly	x	x	x	x				
6	800-0159	Capillary Tube Assembly					x	x	x	x
7	5060-037	Evaporator Coil	x	x	x	x				
7	5060-050	Evaporator Coil					x	x	x	x
8	900-146	Complete Blower Assembly	x	x						
8	900-145	Complete Blower Assembly			x	x	x	x		x
8	900-207	Complete Blower Assembly							x	
9	144-126	Diffuser	x	x	x	x	x	x	x	x
10	5152-005	Blower Wheel			x	x	x	x	x	x
10	5152-065	Blower Wheel	x	x						
11	151-088	Blower Housing	x	x						
11	151-068	Blower Housing			x	x	x	x	x	x
12	104-787	Blower Angles	x	x	x	x	x	x	x	x
13	8200-036	Motor Mount Arms	3	3						
13	8200-034	Motor Mount Arms			3	3	3	3	3	3
14	8105-016	Motor							x	
14	8105-032	Motor	x	x						
14	8105-024	Motor			x	x	x	x		x
15	8552-002	Capacitor 5/370	x	x	x	x	x	x	x	x
16	8200-033	Motor Mount Band	x	x	x	x	x	x	x	x

Date: 3-27-95  
Supersedes: 9-07-94

CONTROL PANEL



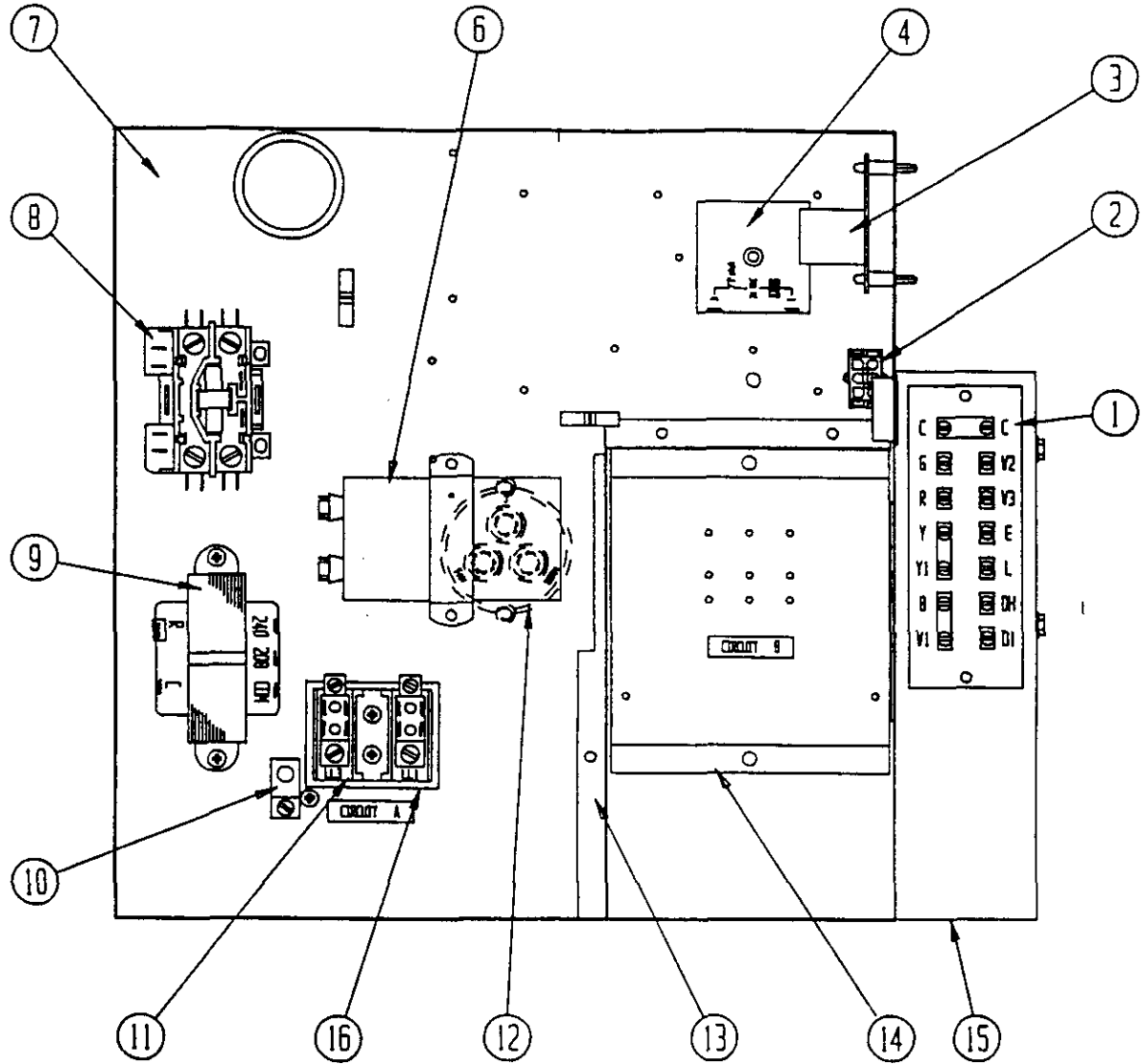
Date: 1-18-91  
Supersedes:

CONTROL PANEL

Dwg. No.	Part No.	Description	P 1 1 2 4 A 1	P 1 1 2 4 A 1 - D	P 1 1 3 0 A 1	P 1 1 3 6 A 1
1	8607-006	Terminal Strip	X	X	X	X
2	8552-048	Capacitor 35/5 - 370			X	
2	8552-049	Capacitor 35/5 - 440				X
2	8552-047	Capacitor 30/5 - 370	X	X		
3	8201-008	Blower Relay	X	X	X	X
4	8407-034	Transformer	X	X	X	X
5	8401-026	Contacto	X	X	X	X
6	8607-013	Terminal Block	X	X	X	X
7	516-071	Control Panel	X	X	X	X
8	116-149	Control Panel Partition	X	X	X	X
9	116-150	Terminal Block Support	X	X	X	X
10	116X072	Low Voltage Box	X	X	X	X
11	3000-901	Wire Assembly			X	X
11	3000-948	Wire Assembly	X	X		
12	8611-006	Ground Terminal	X	X	X	X
	4063-120	Wiring Diagram			X	X
	4063-121	Wiring Diagram	X	X		

Date: 3-27-95  
Supersedes: 8-09-94

CONTROL PANEL



MODELS: P1136A-B and P1136A-C

Date: 4-20-94  
Supersedes:

2110-207  
Page: 7



CONTROL PANEL

Dwg. No.	Part No.	Description	P	P	P
			1	1	1
			1	1	1
			3	3	3
			6	6	6
			A	A	A
			1	1	1
			-	-	-
			B	C	D
1	8607-018	Terminal Strip	X	X	X
2	3000-988	Wire Assembly	X	X	X
3	8201-056	Solid State Blower Control	X		X
3	8201-032	Blower Relay		X	
4	8201-050	Time Delay Relay	X	X	X
6	8552-002	Capacitor 5-370	X	X	
7	516-147	Control Panel	X	X	X
8	8401-002	Contactor	X	X	
8	8401-007	Contactor			X
9	8407-034	Transformer	X		X
9	8407-042	Transformer		X	
10	8611-006	Ground Terminal	X	X	X
11	8607-013	Terminal Block			X
11	8607-014	Terminal Block	X	X	
12	8552-063	Capacitor 50/5-370			X
13	116-149	Control Panel Partition	X	X	X
14	116-150	Terminal Block Support	X	X	X
15	116-148	Low Voltage Box	X	X	X
16	8607-015	Phenolic Insulator		X	
	4063-125	Wiring Diagram			X
	4063-213	Wiring Diagram	X		
	4063-311	Wiring Diagram		X	

Date: 3-27-95  
Supersedes: 4-20-94

2110-207

