

REPLACEMENT PARTS MANUAL

PACKAGE AIR CONDITIONERS

MODELS: P48A5, P60A6

Manual 2110-202

Revision D

Date 9-08-95

Supersedes 6-15-91

* GENERAL NOTES *

*Revised and/or additional pages may be issued from time to time.
*A complete and current manual consists of pages dated as shown in the following index.

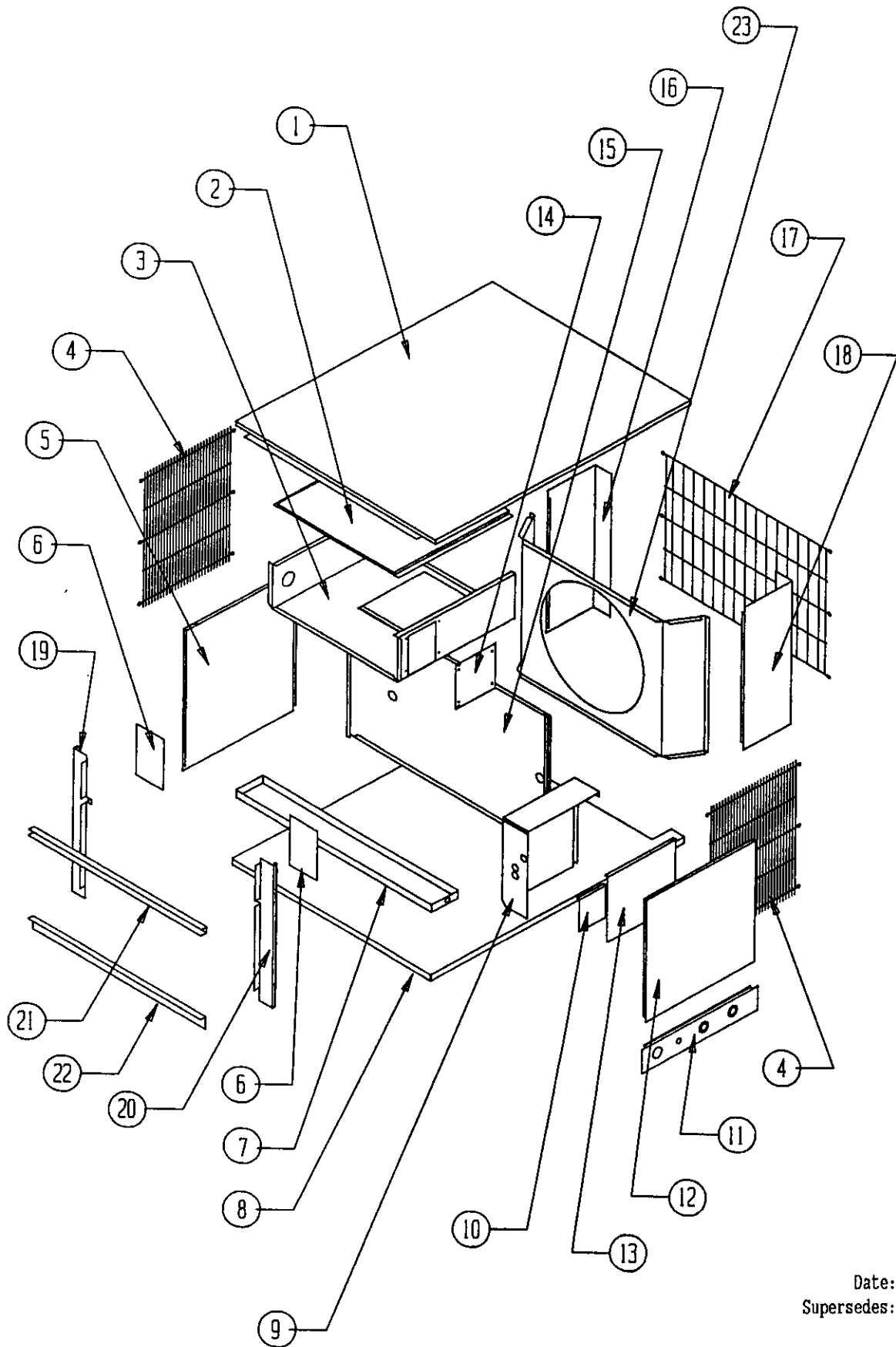
** INDEX **

<u>Page Description</u>	<u>Page</u>	<u>Date</u>	<u>Supersedes</u>
Cabinet Components--Exploded View	1	9-28-89	
" " --Usage List	2	9-28-89	
Functional Components--Exploded View	3	9-28-89	
" " --Usage List	4	9-08-95	6-15-91
Functional Components--Exploded View	5	1-25-90	9-28-89
" " --Usage List	6	9-08-95	6-15-91
Control Panel--Layout	7	9-28-89	
" " --Usage List	8	9-28-89	

*** IMPORTANT ***

Contact the installing and/or local Bard distributor for all parts requirements. Make sure you have the complete model and serial number available from the unit rating plate.

CABINET COMPONENTS



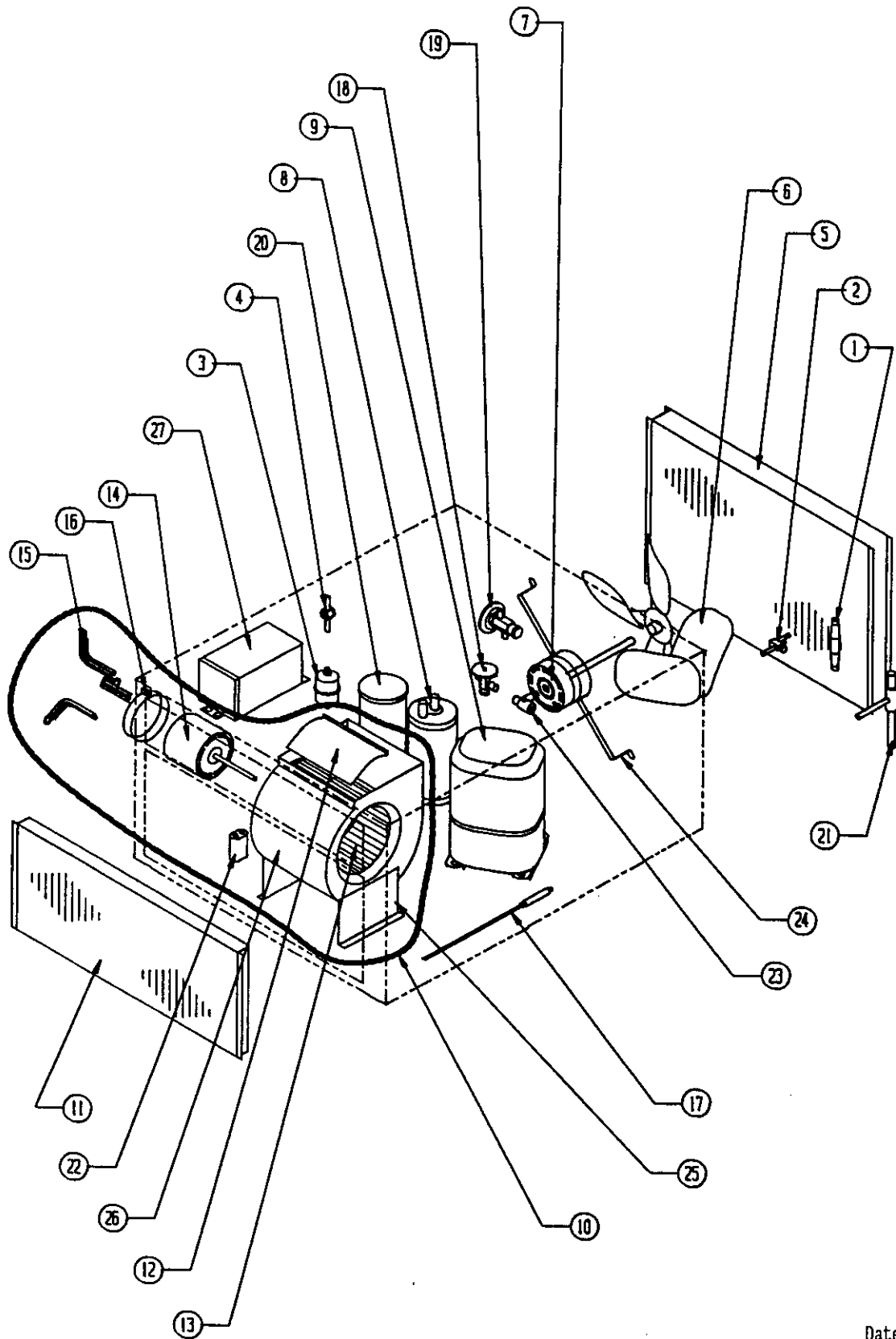
Date: 9-28-89
Supersedes:

CABINET COMPONENTS

Item	Part No.	Description	U S A G E
1	506-012	Top	X
2	134-021	Heat Strip Shield	X
3	520-067	Blower Partition	X
4	7051-007	Side Grille	2
5	500-144	Left Side	X
6	136-011	Side Fills	2
7	123-048	Drain Pan	X
8	527-012	Base	X
9	Control Panel	See control panel drawing and parts list	X
10	142-016	Entrance Cover Plate	X
11	556-015	Entrance Panel	X
12	500-020	Right Side	X
13	132-035	Control Panel Cover	X
14	142-017	OKW Cover Plate	X
15	520-069	Compressor Partition	X
16	149-053	Left Rear Corner	X
17	7051-005	Condenser Grille	X
18	149-052	Right Rear Corner	X
19	549-050	Left Front Corner	X
20	549-016	Right Front Corner	X
21	164-502	Plenum Channel	X
22	104-525	Plenum Angle	X
23	124-010	Fan Shroud	X

Date: 9-28-89
Supersedes:

FUNCTIONAL COMPONENTS



Date: 9-28-89
Supersedes:

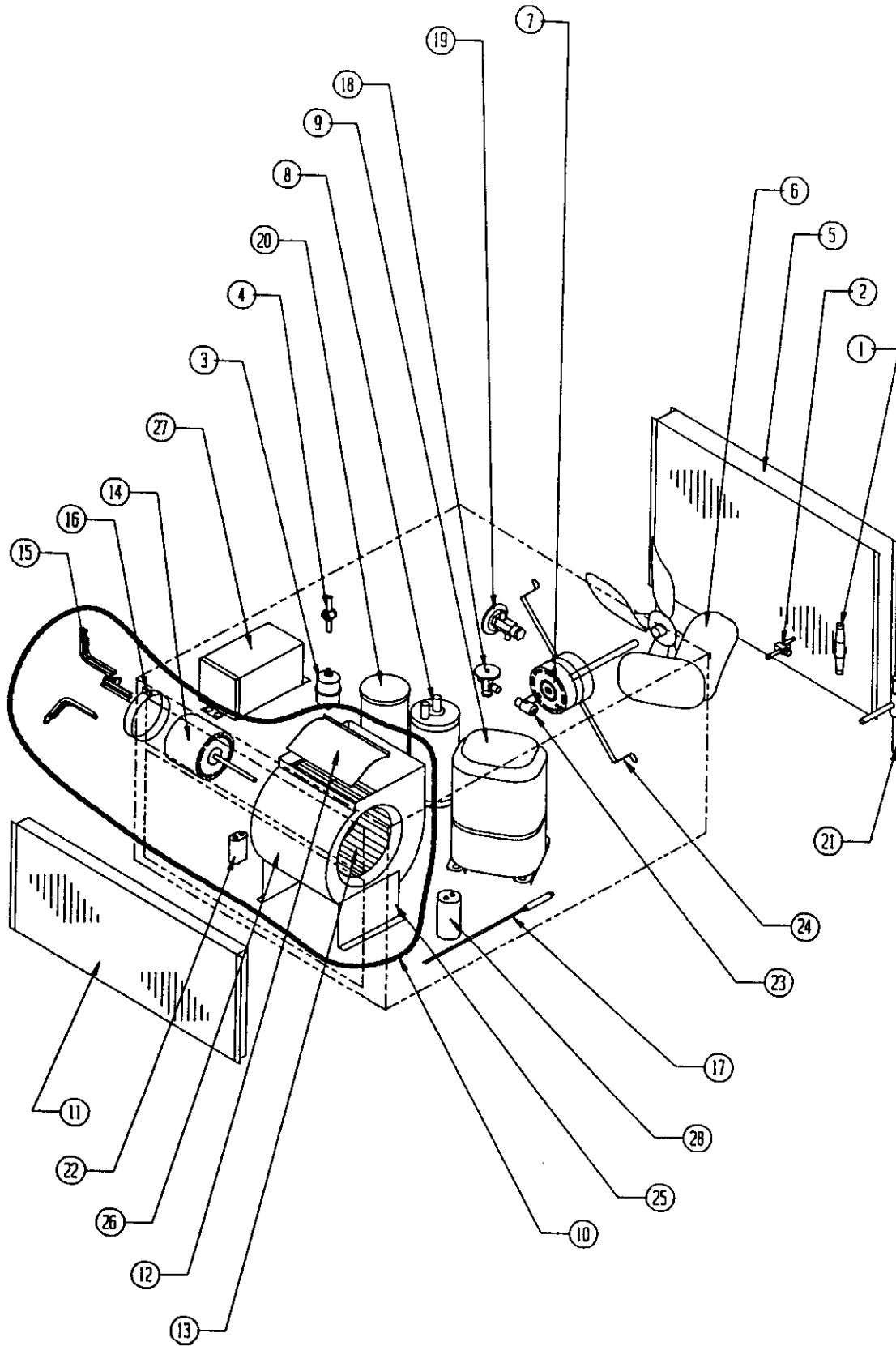
FUNCTIONAL COMPONENTS

Dwg. No.	Part No.	Description	P	P	P	P	P	P	P	P	P	P	P	P	P	P	P	P	P	P
			4	4	4	4	4	4	4	4	4	4	4	4	4	4	4	4	4	4
			A	A	A	A	A	A	A	A	A	A	A	A	A	A	A	A	A	A
			5	5	5	5	5	5	5	5	5	5	5	5	5	5	5	5	5	5
			/																	
			H	B	B	C	C	E	F	G	H	B	B	C	C	E	F	G	H	
1	5651-016	Pressure Differential Valve		X		X		X					X		X		X			
2	5651-051	Shutoff Valve		X		X		X					X		X		X			
3	5201-002	Filter Drier		X		X		X					X		X		X			
4	5201-014	Sight Glass		X		X		X					X		X		X			
5	5051-027	Condenser Coil	X	X	X	X	X	X	X	X										
5	5051-028	Condenser Coil									X	X	X	X	X	X	X	X	X	
6	5151-026	Fan Blade							X	X	X							X	X	
6	5151-029	Fan Blade	X	X	X	X	X	X										X	X	
6	5151-030	Fan Blade									X	X	X	X	X	X				
7	8105-035	Motor	X	X	X	X	X													
7	8106-016	Motor									X	X	X	X	X	X				
7	8105-014	Motor						X	X	X							X	X	X	
8	5202-011	Accumulator		X		X		X												
8	5202-017	Accumulator										X		X		X				
9	8000-081	Compressor	X	X						X										
9	8000-082	Compressor			X	X		X	X											
9	8000-083	Compressor					X	X		X										
9	8000-091	Compressor									X	X								
9	8000-031	Compressor											X	X						
9	8000-048	Compressor												X	X					
9	8000-078	Compressor													X	X		X		
9	8000-079	Compressor																X		
9	8000-077	Compressor																	X	
10	900-139	Complete Blower Assembly	X	X	X	X	X	X			X	X	X	X	X	X				
10	900-138	Complete Blower Assembly							X	X	X						X	X	X	
11	5060-036	Evaporator Coil	X	X	X	X	X	X	X	X										
11	5060-039	Evaporator Coil									X		X		X		X	X	X	
11	5060-025	Evaporator Coil										X		X		X				
12	144-130	Blower Diffuser	X	X	X	X	X	X	X	X	X	X	X	X	X	X	X	X	X	
13	5152-015	Blower Wheel	X	X	X	X	X				X	X	X	X	X	X				
13	5152-088	Blower Wheel						X	X	X							X	X	X	
14	8106-015	Motor	X	X	X	X	X				X	X	X	X	X	X				
14	8108-002	Motor						X	X	X							X	X	X	
15	8200-034	Motor Mount Arm	3	3	3	3	3	3	3	3	3	3	3	3	3	3	3	3	3	
16	8200-033	Motor Mount Band	X	X	X	X	X	X	X	X	X	X	X	X	X	X	X	X	X	
17	800-0062	Capillary Tube Assembly	X		X		X		X	X	X									
17	800-0063	Capillary Tube Assembly									X		X		X		X	X	X	
18	5651-040	Expansion Valve		X		X		X					X		X		X			
19	5651-064	Bypass Valve		X		X		X					X		X		X			

Date: 9-08-95
Supersedes: 6-15-91

2110-202

FUNCTIONAL COMPONENTS (continued)



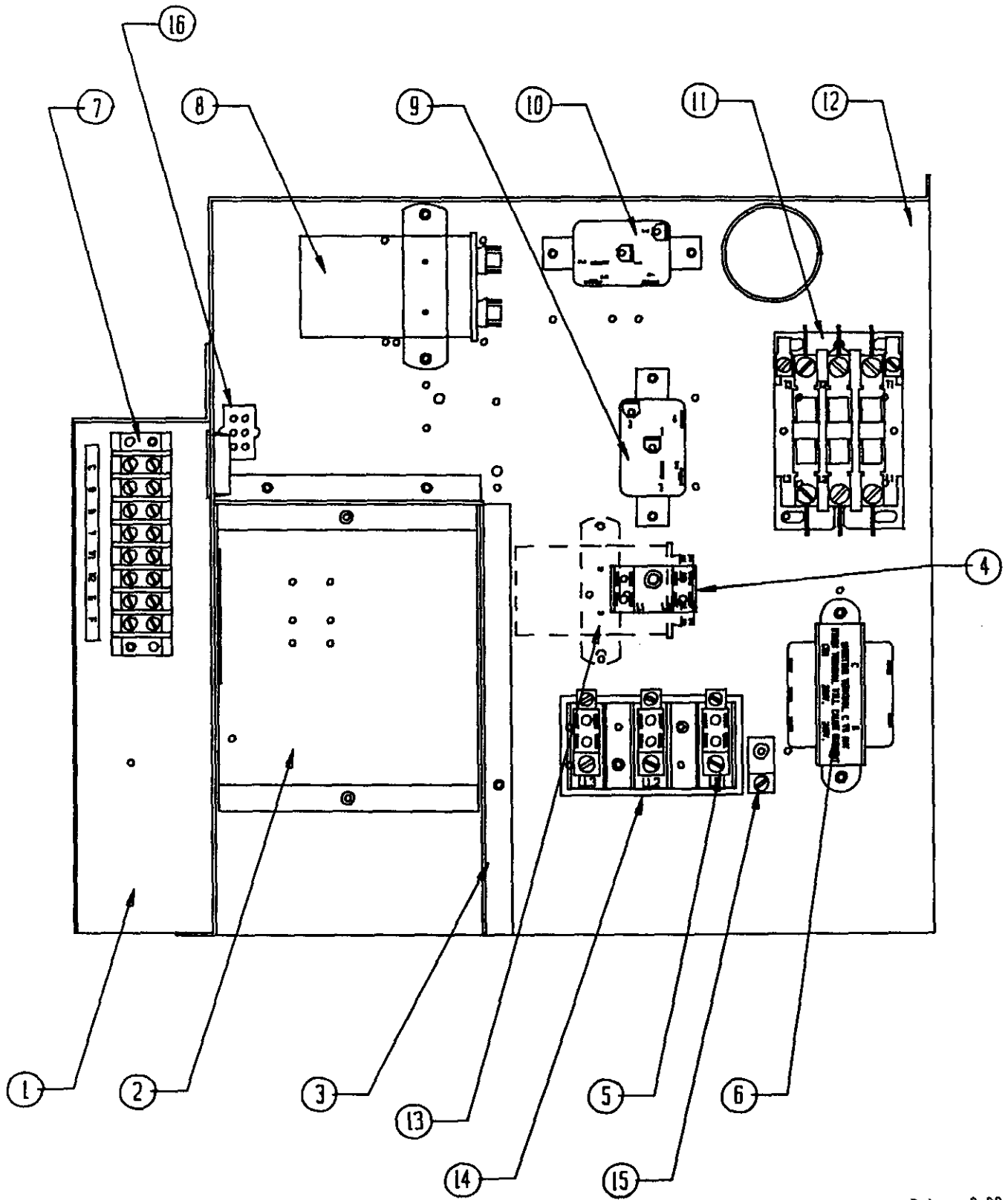
Date: 1-25-90
Supersedes: 9-28-89

FUNCTIONAL COMPONENTS (continued)

Dwg. No.	Part No.	Description	P 4 8 A 5	P 4 8 A 5 / H	P 4 8 A 5 B	P 4 8 A 5 B / H	P 4 8 A 5 C	P 4 8 A 5 C / H	P 4 8 A 5 E	P 4 8 A 5 F	P 4 8 A 5 G	P 6 0 A 6	P 6 0 A 6 / H	P 6 0 A 6 B	P 6 0 A 6 B / H	P 6 0 A 6 C	P 6 0 A 6 C / H	P 6 0 A 6 E	P 6 0 A 6 F	P 6 0 A 6 G	
20	5203-005	Receiver		x		x		x													
20	5203-006	Receiver										x		x			x				
21	5651-015	Head Pressure Control Valve		x		x		x					x		x		x				
22	8552-005	Capacitor 10/370	x	x	x	x	x					x	x	x	x	x	x				
22	8552-026	Capacitor 15/370						x	x	x									x	x	x
23	5651-049	Distributor		x		x		x													
23	5651-008	Distributor											x		x		x				
24	8200-004	Fan Motor Mount	x	x	x	x	x	x	x	x	x	x	x	x	x	x	x	x	x	x	x
25	104-795	Blower Leg	2	2	2	2	2	2	2	2	2	2	2	2	2	2	2	2	2	2	2
26	151-097	Blower Housing	x	x	x	x	x	x	x	x	x	x	x	x	x	x	x	x	x	x	x
27	8407-004	Transformer 460V					x	x									x	x			
28	8552-034	Capacitor 15/440																			x
28	8552-030	Capacitor 40/440																			x

Date: 9-08-95
Supersedes: 6-15-91

CONTROL PANEL



Date: 9-28-89
Supersedes:

CONTROL PANEL

Dwg. No.	Part No.	Description	P 4 8 A 5	P 4 8 A 5 / H	P 4 8 A 5 B	P 4 8 A 5 B / H	P 4 8 A 5 C	P 4 8 A 5 C / H	P 4 8 A 5 E	P 4 8 A 5 F	P 4 8 A 5 G	P 6 0 A 6	P 6 0 A 6 / H	P 6 0 A 6 B	P 6 0 A 6 B / H	P 6 0 A 6 C	P 6 0 A 6 C / H	P 6 0 A 6 E	P 6 0 A 6 F	P 6 0 A 6 G	
1	116Y072	Low Voltage Box	x	x	x	x	x	x	x	x	x	x	x	x	x	x	x	x	x	x	x
2	134-095	Terminal Block Shield	x	x	x	x	x	x	x	x	x	x	x	x	x	x	x	x	x	x	x
3	116Y076	Control Panel Partition	x	x	x	x	x	x	x	x	x	x	x	x	x	x	x	x	x	x	x
4	8607-017	Terminal Block					x	x								x	x				
5	8607-013	Terminal Block	x	x					2	x	x	x							2	x	
5	8607-014	Terminal Block			x	x	x	x						x	x	x	x	x			
6	8407-034	Transformer	x	x	x				x	x	x	x	x	x					x	x	x
6	8407-035	Transformer				x	x	x							x	x	x				
7	8607-006	Terminal Strip	x	x	x	x	x	x	x	x	x	x	x	x	x	x	x	x	x	x	x
8	8552-030	Capacitor 40/440	x	x							x										
8	8552-031	Capacitor 45/440										x	x								
8	8552-005	Capacitor 10/370							x										x		
8	8552-026	Capacitor 15/370					x	x													
8	8552-004	Capacitor 7-1/2 /370														x	x				
9	8201-008	Blower Relay	x	x	x	x	x	x	x	x	x	x	x	x	x	x	x	x	x	x	x
10	8201-008	Blower Relay					x	x								x	x				
11	8401-003	Contactora	x	x							x										
11	8401-002	Contactora			x	x	x	x	x	x						x	x			x	
11	8401-016	Contactora										x	x								
11	8401-011	Contactora												x	x						
11	8401-001	Contactora																			x
12	516-079	Control Panel	x	x	x	x	x	x	x	x	x	x	x	x	x	x	x	x	x	x	x
13	8552-026	Capacitor 15/370																			
13	8552-005	Capacitor 10/370	x	x	x	x			x		x								x		x
13	8552-004	Capacitor 7-1/2 /370										x	x	x	x						
14	8607-015	Phenolic Insulator					x	x								x	x				
14	134-051	Terminal Block Barrier									x									x	
15	8611-006	Ground Terminal	x	x	x	x	x	x	x	x	x	x	x	x	x	x	x	x	x	x	x
16	3000-901	Wire Assembly	x	x	x	x	x	x	x	x	x	x	x	x	x	x	x	x	x	x	x
	4064-110	Wiring Diagram	x	x								x	x								
	4064-210	Wiring Diagram			x	x								x	x						
	4064-310	Wiring Diagram					x	x								x	x				
	4064-510	Wiring Diagram							x										x		
	4064-610	Wiring Diagram								x										x	
	4064-411	Wiring Diagram									x										
	4064-410	Wiring Diagram																			x

Date: 9-28-89
Supersedes:

1

,

,

,