

# REPLACEMENT PARTS MANUAL

## PACKAGE AIR CONDITIONERS MODEL P25A, P31A1, P36A5

Manual 2110-201

Revision --

Date 9-12-89

Supersedes

\*\*\*\*\*  
\* GENERAL NOTES \*  
\*\*\*\*\*

\*Revised and/or additional pages may be issued from time to time.  
\*A complete and current manual consists of pages dated as shown in the following index.

\*\*\*\*\*  
\*\* INDEX \*\*  
\*\*\*\*\*

<u>Page Description</u>	<u>Page</u>	<u>Date</u>	<u>Supersedes</u>
Cabinet Components--Exploded View	1	9-12-89	
" " --Usage List	2	9-12-89	
Functional Components--Exploded View	3	9-12-89	
" " --Usage List	4	9-12-89	
Functional Components--Exploded View	5	9-12-89	
" " --Usage List	6	9-12-89	
Control Panel--Layout	7	9-12-89	
" " --Usage List	8	9-12-89	

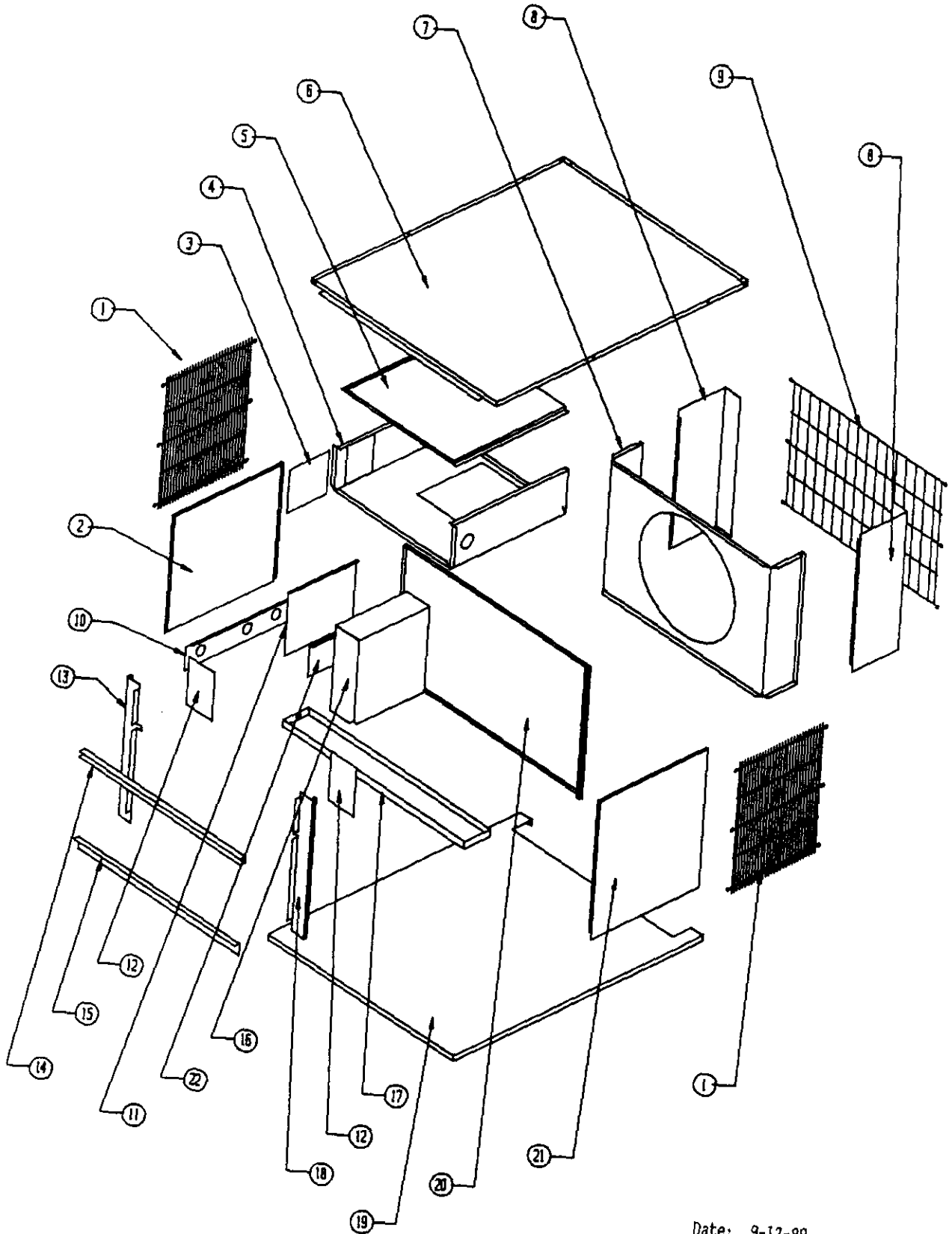
\*\*\*\*\*  
\*\*\* IMPORTANT \*\*\*  
\*\*\*\*\*

Contact the installing and/or local Bard distributor for all parts requirements. Make sure you have the complete model and serial number available from the unit rating plate.

BARD MANUFACTURING COMPANY

BRYAN, OHIO 43506

CABINET COMPONENTS



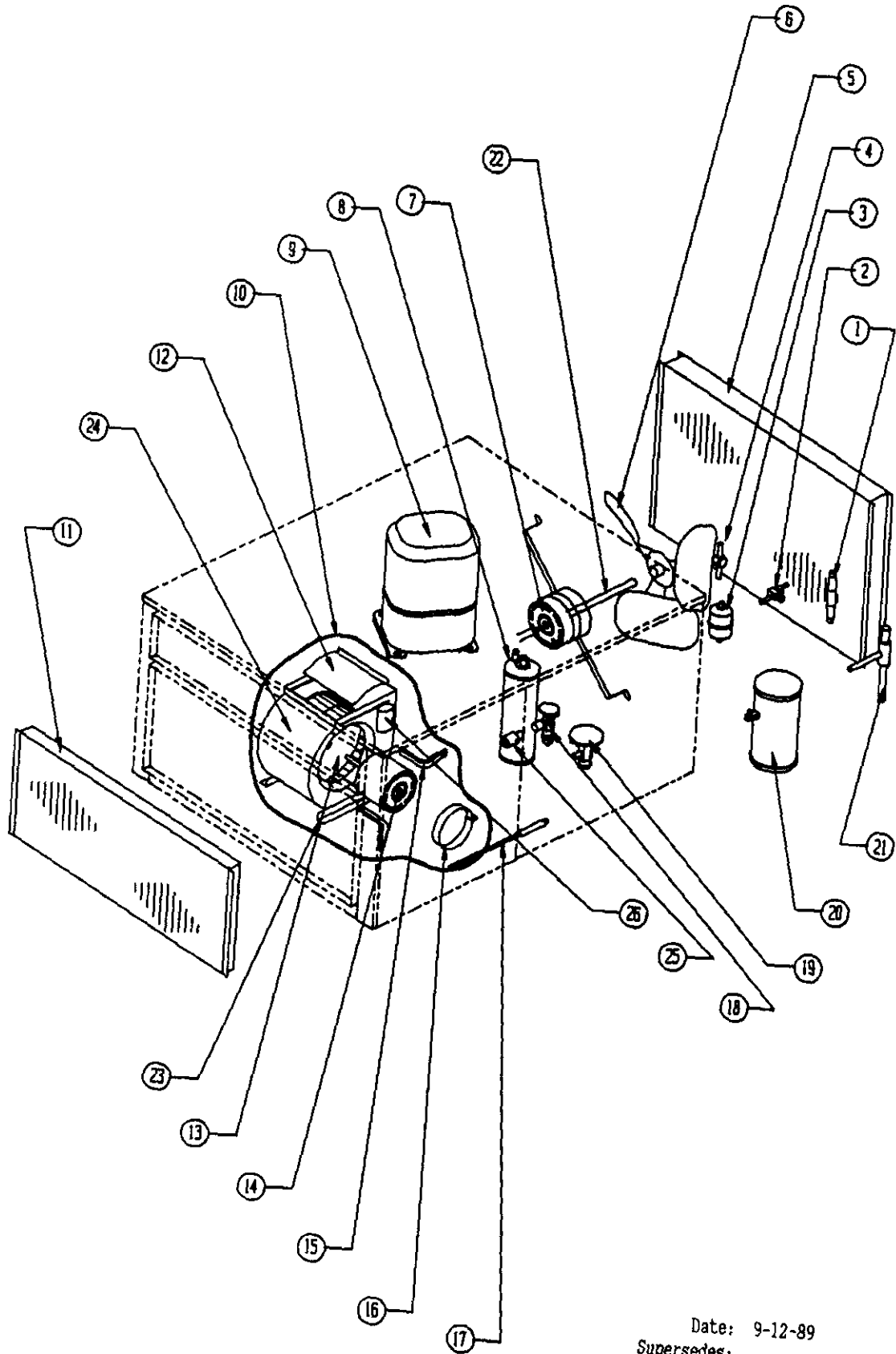
Date: 9-12-89  
Supersedes:

CABINET COMPONENTS

Item	Part No.	Description	U S A G E
1	7051-015	Inlet Grille	2
2	500-133	Left Side	X
3	142-017	Cover Plate--OKW	X
4	520-092	Blower Partition (P25A only)	X
4	520-066	Blower Partition (all models except P25A )	X
5	134-017	Heat Strip Shield	X
6	506-011	Top	X
7	124-012	Fan Shroud (P25A only)	X
7	124-002	Fan Shroud (all models except P25A)	X
8	149-043	Rear Corner	2
9	7051-001	Condenser Grille	X
10	556-018	Entrance Panel	X
11	132-035	Control Panel Cover	X
12	136-086	Blower Fill Plates	2
13	549Y044	Left Front Cover	X
14	164-501	Plenum Channel	X
15	104-521	Plenum Angle	X
16	Cntrl Pnl Assembly	See Control Panel Drawing and Parts List	X X
17	123-043	Drain Pan	X
18	549X044	Right Front Corner	X
19	527-011	Base	X
20	520-070	Compressor Partition	X
21	500-132	Right Side	X
22	142-016	Entrance Cover	X

Date: 9-12-89  
Supersedes:

FUNCTIONAL COMPONENTS



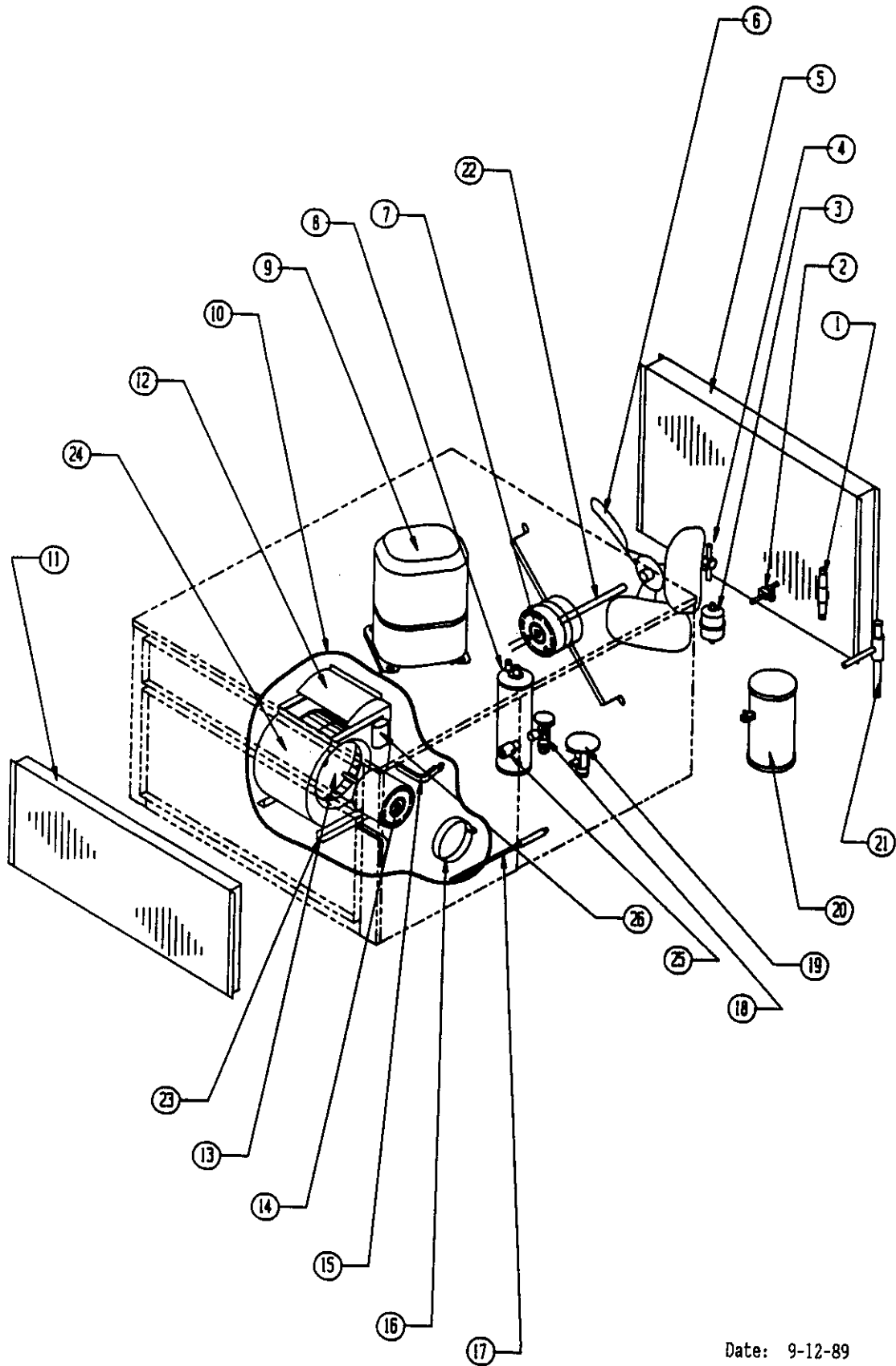
Date: 9-12-89  
Supersedes:

FUNCTIONAL COMPONENTS

Dwg. No.	Part No.	Description	P 2 5 A	P 2 5 A   B	P 2 5 A   D	P 3 1 A   1	P 3 1 A   1   C	P 3 1 A   1   D	P 3 6 A 5	P 3 6 A 5 / H	P 3 6 A 5   B	P 3 6 A 5   B / E	P 3 6 A 5   C	P 3 6 A 5   C / H	P 3 6 A 5   D	P 3 6 A 5   E	P 3 6 A 5   F
1	5651-016	Pressure Differential Valve							X		X		X				
2	5651-051	Shut Off Valve							X		X		X				
3	5201-001	Filter Drier							X		X		X				
4	5201-014	Sight Glass							X		X		X				
5	5051-034	Condenser Coil	X	X	X												
5	5051-035	Condenser Coil				X	X	X	X	X	X	X	X	X	X	X	X
6	5151-034	Fan Blade	X	X	X												
6	5151-004	Fan Blade				X	X	X	X	X	X	X	X	X	X	X	X
7	8103-016	Motor	X	X													
7	8103-009	Motor			X	X		X	X	X	X				X	X	X
7	8103-014	Motor				X							X	X			
8	5202-014	Accumulator															
8	5202-016	Accumulator							X		X		X				
9	8000-090	Compressor	X														
9	8000-097	Compressor		X													
9	8000-076	Compressor			X												
9	8000-070	Compressor				X											
9	8000-054	Compressor					X										
9	8000-038	Compressor						X									
9	8000-055	Compressor							X	X							
9	8000-056	Compressor									X	X				X	
9	8000-057	Compressor											X	X			X
9	8000-039	Compressor													X		
10	900-146	Complete Blower Assembly	X	X	X												
10	900-132	Complete Blower Assembly				X		X									
10	900-134	Complete Blower Assembly					X										
10	900-133	Complete Blower Assembly							X	X	X	X			X	X	X
10	900-135	Complete Blower Assembly											X	X			
11	5060-037	Evaporator Coil	X	X	X		X	X	X	X	X	X	X	X	X	X	X
12	144-156	Diffuser	X	X	X												
12	144-126	Diffuser				X	X	X	X	X	X	X	X	X	X	X	X
13	5152-008	Blower Wheel	X	X	X												
13	5152-010	Blower Wheel				X	X	X									
13	5152-013	Blower Wheel							X	X	X	X	X	X	X	X	X
14	8105-032	Motor	X	X	X												
14	8105-024	Motor				X		X	X	X	X				X	X	X
14	8105-016	Motor					X						X	X			
15	8200-036	Motor Mount Arms	3	3	3												
15	8200-034	Motor Mount Arms				3	3	3	3	3	3	3	3	3	3	3	3

Date: 9-12-89  
Supersedes:

FUNCTIONAL COMPONENTS (Continued)



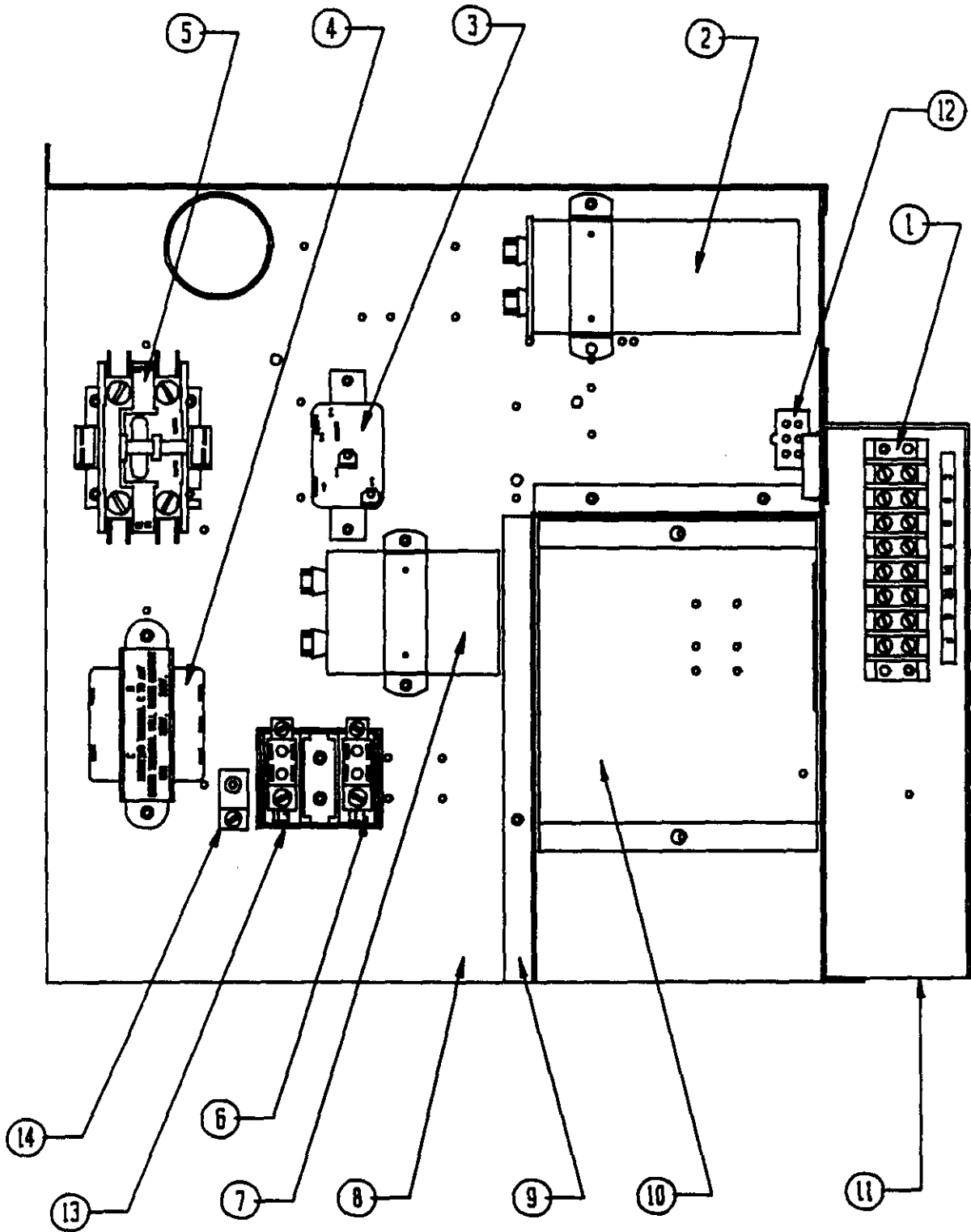
Date: 9-12-89  
Supersedes:

FUNCTIONAL COMPONENTS (Continued)

Dwg. No.	Part No.	Description	P	P	P	P	P	P	P	P	P	P	P	P	P	P	P	P
			2	2	2	3	3	3	3	3	3	3	3	3	3	3	3	3
			5	5	5	1	1	1	6	6	6	6	6	6	6	6	6	6
			A	A	A	A	A	A	A	A	A	A	A	A	A	A	A	A
				B	D	1	1	1	5	5	5	5	5	5	5	5	5	5
							C	D	/	/	/	/	/	/	/	/	/	/
									H	B	B	C	C	D	D	E	F	F
16	8200-033	Motor Mount Band	X	X	X	X	X	X	X	X	X	X	X	X	X	X	X	X
17	800-0048	Capillary Tube Assembly	X	X	X													
17	800-0049	Capillary Tube Assembly				X	X	X										
17	800-0050	Capillary Tube Assembly							X		X		X		X	X	X	
18	5651-039	Expansion Valve								X		X		X				
19	5651-064	Hot Gas Bypass Valve								X		X		X				
20	5203-004	Receiver								X		X		X				
21	5651-015	Head Pressure Control Valve								X		X		X				
22	8200-001	Motor Mount	X	X	X	X	X	X	X	X	X	X	X	X	X	X	X	X
23	104-787	Blower Angles	2	2	2	2	2	2	2	2	2	2	2	2	2	2	2	2
24	151-088	Blower Housing	X	X	X													
24	151-068	Blower Housing				X	X	X	X	X	X	X	X	X	X	X	X	X
25	5651-026	Distributor								X		X		X				
26	8552-002	Capacitor 5/370	X	X	X	X	X	X	X	X	X	X	X	X	X	X	X	X

Date: 9-12-89  
Supersedes:

CONTROL PANEL



Date: 9-12-89  
Supersedes:



CONTROL PANEL

Dwg. No.	Part No.	Description	P 2 5 A	P 2 5 A   B	P 2 5 A   D	P 3 1 A   1	P 3 1 A   1   C	P 3 1 A   1   D	P 3 6 A   5	P 3 6 A   5 / H	P 3 6 A   5   B	P 3 6 A   5   B / H	P 3 6 A   5   C	P 3 6 A   5   C / H	P 3 6 A   5   D	P 3 6 A   5   E	P 3 6 A   5   F
1	8607-006	Terminal Strip	X	X	X	X	X	X	X	X	X	X	X	X	X	X	X
2	8552-007	Capacitor 20/15-370			X	X		X									
2	8552-032	Capacitor 35/370	X														
2	8552-035	Capacitor 40/370						X	X								
3	8201-008	Blower Relay	X	X	X	X		X	X	X	X				X	X	X
3	8201-032	Blower Relay				X						X	X				
4	8407-034	Transformer	X	X	X	X		X	X	X	X				X	X	X
4	8407-027	Transformer				X						X	X				
5	8401-007	Contactoer	X		X	X		X	X						X		
5	8401-002	Contactoer		X		X				X	X	X	X		X	X	X
6	8607-013	Terminal Block	X		X	X		X	X						X		2
6	8607-014	Terminal Block		X		X				X	X	X	X		X		
7	8552-002	Capacitor 5/370	X	X	X	X	X	X	X	X	X	X	X	X	X	X	X
8	516-071	Control Panel	X	X	X	X	X	X	X	X	X	X	X	X	X	X	X
9	116X076	Control Panel Partition	X	X	X	X	X	X	X	X	X	X	X	X	X	X	X
10	134-095	Terminal Block Shield	X	X	X	X	X	X	X	X	X	X	X	X	X	X	X
11	116X072	Low Voltage Box	X	X	X	X	X	X	X	X	X	X	X	X	X	X	X
12	3000-901	Wire Assembly				X	X	X	X	X	X	X	X	X	X	X	X
12	3000-948	Wire Assembly	X	X	X												
13	8607-015	Phenolic Insulator					X						X	X			
13	134-051	Terminal Block Barrier															X
14	8611-006	Ground Terminal	X	X	X	X	X	X	X	X	X	X	X	X	X	X	X
	4063-110	Wiring Diagram							X	X							
	4063-111	Wiring Diagram				X											
	4063-114	Wiring Diagram	X														
	4063-210	Wiring Diagram								X	X					X	
	4063-212	Wiring Diagram		X													
	4063-310	Wiring Diagram				X						X	X				
	4063-412	Wiring Diagram			X												
	4063-411	Wiring Diagram						X									
	4063-410	Wiring Diagram												X			
	4063-610	Wiring Diagram															X

Date: 9-12-89  
Supersedes:

