
REPLACEMENT PARTS MANUAL

I-TEC® Series Packaged Heat Pump

Models:

I36Z2-A	I42Z2-A	I48Z2-A	I60Z2-A
I36Z2-B	I42Z2-B	I48Z2-B	I60Z2-B
I36Z2-C	I42Z2-C	I48Z2-C	I60Z2-C

Description	Page
Cabinet Components	
♦ Exploded View.....	2
♦ Usage List	3
Painted Cabinet Components	
♦ Exploded View.....	4
♦ Usage List	5
Functional Components	
♦ Exploded View.....	6
♦ Usage List	7
♦ Usage List	8
Blower Assembly Components	
♦ Exploded View.....	9
♦ Usage List	9
Control Panel Components	
♦ Exploded View.....	10
♦ Usage List	11
Electric Heater Components	
♦ Exploded View.....	12
♦ Usage List	13
♦ Usage List	14
♦ Usage List	15
Sleeve Components	
♦ Exploded View.....	16
♦ Usage List	17

General Notes

- Revised and/or additional pages may be issued from time to time.
- A complete and current manual consists of pages shown in the following contents section.

Important

- Contact the installing and/or local Bard distributor for all parts requirements. Be sure to have the complete model and serial number available from the unit rating plates.

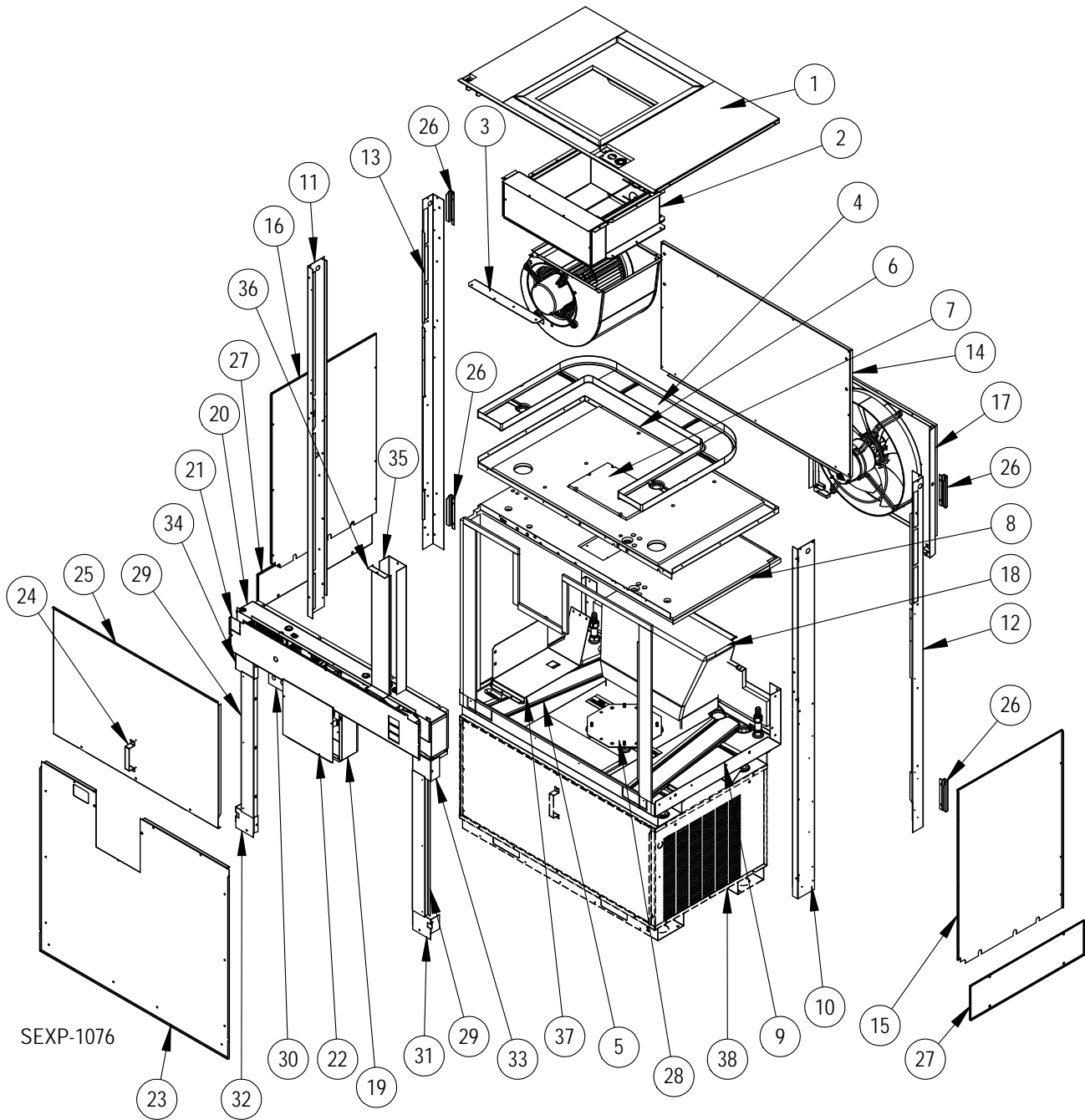


Bard Manufacturing Company, Inc.
Bryan, Ohio 43506
www.bardhvac.com

Manual: 2110-1576
Supersedes: **NEW**
Date: 2-27-23

Climate Control Solutions

CABINET COMPONENTS

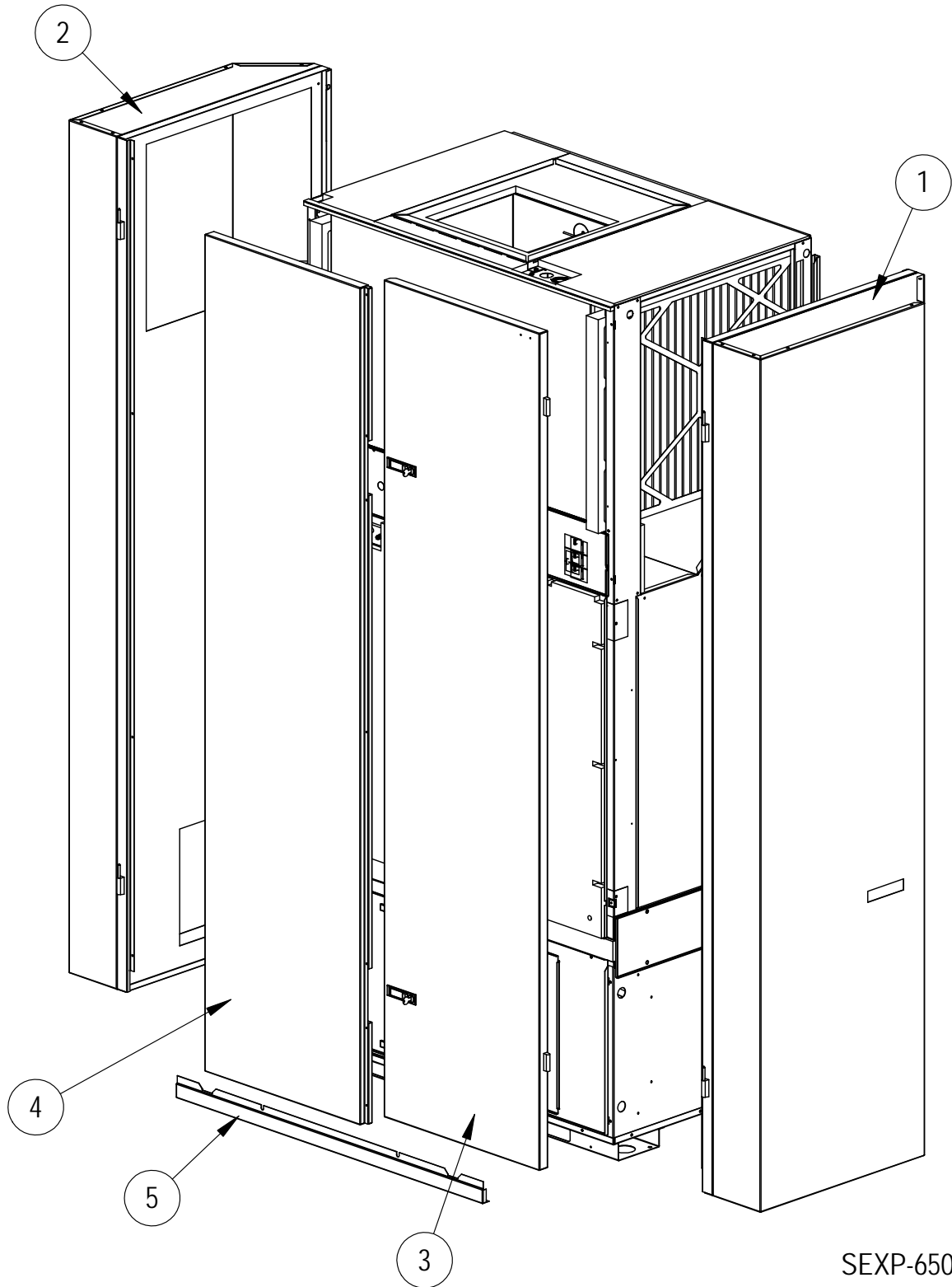


CABINET COMPONENTS

Dwg. No.	Part Number	Description	136Z2-A, B 142Z2-A, B	136Z2-C 142Z2-C	148Z2-A, B 160Z2-A, B	148Z2-C 160Z2-C
1	507-296BX	Top Assembly	X	X	X	X
2	See Electric Heater Components	Heater Package	X	X	X	X
3	105-1256BX	Front Blower Angle	X	X	X	X
4	6096-001BX	Indoor Drain Pan	X	X	X	X
5	6096-010BX	Outdoor Drain Pan	X	X	X	X
6	521-644BX	Evaporator Partition	X	X	X	X
7	543-253BX	Vent Access Door	X	X	X	X
8	521-643BX	Condenser Partition	X	X	X	X
9	127-619BX	Condenser Base Assembly	X	X	X	X
10	149-123BX	Right Front Corner	X	X	X	X
11	149-141BX	Left Front Corner	X	X	X	X
12	149-142BX	Right Rear Corner	X	X	X	X
13	149-143BX	Left Rear Corner	X	X	X	X
14	509-259-8BX	Unit Back Assembly	X	X	X	X
15	501X1141BX	Right Inner Side Panel	X	X	X	X
16	501Y1141BX	Left Inner Side Panel	X	X	X	X
17	125-112BX	Fan Shroud/Venturi Assembly	X	X	X	X
18	921-0114BX	Exhaust Duct Assembly	X	X	X	X
19	See Vent Replacement Parts Manual	Vent Control Panel	X	X	X	X
20	See Control Panel Components	Control Panel	X	X	X	X
21	153-755BX	Control Panel Door (230V Units)	X		X	
21	153-756BX	Control Panel Door (460V Units)		X		X
22	153-766BX	Vent Control Panel Door	X	X	X	X
23	553-764BX	Condenser Door	X	X	X	X
24	113-441BX	Door Latch Bracket	X	X	X	X
25	553-496BX	Evaporator Door (with Door Latch Bracket)	X	X	X	X
26	113-439BX	Side Bracket	4	4	4	4
27	113-630BX	Unit Connection Bracket	2	2	2	2
28	126-417BX	Compressor Mounting Base	X	X	X	X
29	141-391BX	Condenser Coil Access Door	2	2	2	2
30	113-440BX	Dual Service Port Bracket	X	X	X	X
31	141X390BX	Lower Right Condenser Coil Support	X	X	X	X
32	141Y390BX	Lower Left Condenser Coil Support	X	X	X	X
33	141X389BX	Upper Right Condenser Coil Support	X	X	X	X
34	141Y389BX	Upper Left Condenser Coil Support	X	X	X	X
35	165-603BX	High Voltage Wire Channel	X	X	X	X
36	143-202BX	High Voltage Wire Channel Cover	X	X	X	X
37	113-981BX	460V Transformer Mounting Bracket	X	X	X	X
37	113-982BX	460V Transformer Mounting Bracket (3KVA Transformer)			X	X
38	See Vent Replacement Parts Manual	Vent Option	X	X	X	X
NS	113-426BX	Top Mounting Bracket	X	X	X	X

NS = Not Shown

PAINTED CABINET COMPONENTS



SEXP-650

PAINTED CABINET COMPONENTS

Dwg. No.	Part Number	Description	All Models
1	501-1149-*BX	Right Side	X
2	501-1151-*BX	Left Side	X
3	553-531-*BX	Right Front Door	X
4	553-532-*BX	Left Front Door	X
5	115-206-*BX	Front Unit Trim	X
NS	5451-031	Hinge Spacer (Black Nylon)	2

** Exterior cabinet parts are manufactured with various paint color options. To ensure the proper paint color is received, reference the following codes:*

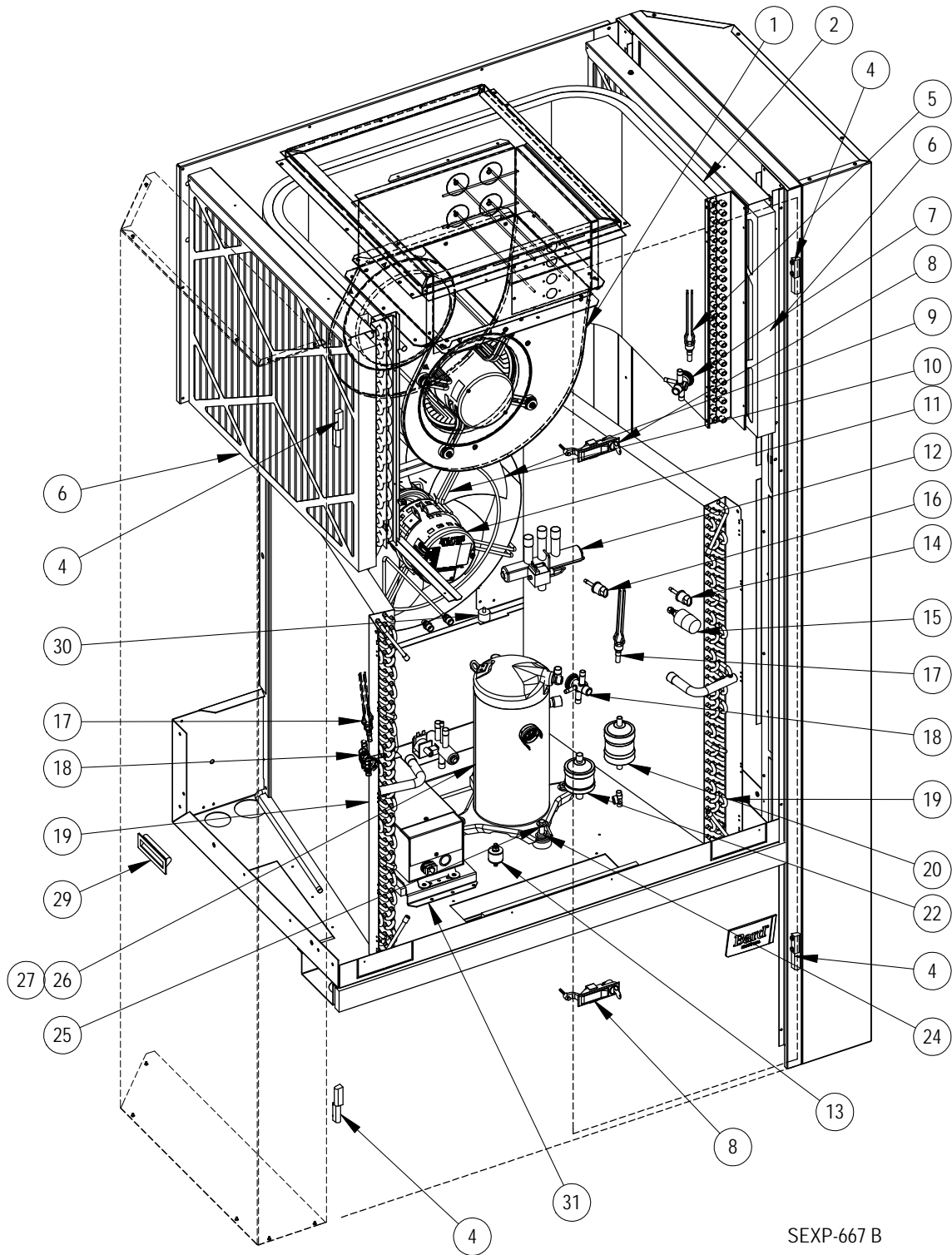
Beige -X

White -1

Buckeye Gray -4

NS = Not Shown

FUNCTIONAL COMPONENTS



This drawing to be used for reference for pages 7 and 8

FUNCTIONAL COMPONENTS

Dwg. No.	Part Number	Description	I36Z2-A	I36Z2-B	I36Z2-C	I42Z2-A	I42Z2-B	I42Z2-C	I48Z2-A	I48Z2-B	I48Z2-C	I60Z2-A	I60Z2-B	I60Z2-C
1	5154-017-0089BX	Blower Assembly	X	X	X									
1	5154-017-0088BX	Blower Assembly				X	X	X						
1	5154-017-0114BX	Blower Assembly							X	X	X			
1	5154-018-0117BX	Blower Assembly										X	X	X
2	5060-168BX	Evaporator Coil	X	X	X	X	X	X	X	X	X			
2	5060-175BX	Evaporator Coil										X	X	X
4	5400-006	Polymide Lift-Off Hinge	4	4	4	4	4	4	4	4	4	4	4	4
5	5625-007BX	Distributor	X	X	X	X	X	X	X	X	X			
5	5625-008BX	Distributor										X	X	X
6	7004-050	Air Filter MERV 8 (24x30x2)	2	2	2	2	2	2	2	2	2	2	2	2
6	7004-051	Air Filter MERV 11 (24x30x2)	2	2	2	2	2	2	2	2	2	2	2	2
6	7004-053	Air Filter MERV 13 (24x30x2)	2	2	2	2	2	2	2	2	2	2	2	2
7	5651-211BX	Expansion Valve	X	X	X	X	X	X						
7	5651-212BX	Expansion Valve							X	X	X			
7	5651-241BX	Expansion Valve										X	X	X
8	1171-063	Lockable Latch	2	2	2	2	2	2	2	2	2	2	2	2
9	5151-058BX	Fan Blade	X	X	X	X	X	X	X	X	X	X	X	X
10	8200-045BX	Fan Mount	X	X	X	X	X	X	X	X	X	X	X	X
11	8105-058-0095BX	Programmed Outdoor Motor	X	X	X	X	X	X						
11	8106-054-0113BX	Programmed Outdoor Motor							X	X	X			
11	8106-054-0116BX	Programmed Outdoor Motor										X	X	X
12	5650-039BX	Reversing Valve	X	X	X	X	X	X						
12	5650-040BX	Reversing Valve							X	X	X	X	X	X
13	5451-023	Stud Mounts	4	4	4	4	4	4	4	4	4	4	4	4
14	8406-142BX	High Pressure Switch	X	X	X	X	X	X	X	X	X	X	X	X
15	8406-112BX	Low Ambient Control	X	X	X	X	X	X	X	X	X	X	X	X
16	8406-135BX	Low Pressure Switch	X	X	X	X	X	X	X	X	X	X	X	X
17	5625-013BX	Distributor	2	2	2	2	2	2						
17	5625-007BX	Distributor							2	2	2	2	2	2
18	5651-217BX	Expansion Valve	2	2	2									
18	5651-218BX	Expansion Valve				2	2	2	2	2	2			
18	5651-200BX	Expansion Valve										2	2	2
19	5051-189BX	Condenser Coil	2	2	2	2	2	2						
19	5051-191BX	Condenser Coil							2	2	2	2	2	2
20	5201-020BX	Filter-Drier	X	X	X	X	X	X	X	X	X	X	X	X
22	5220-013BX	Discharge Dampener/Muffler	X	X	X	X	X	X	X	X	X	X	X	X
24	8001-013	Compressor Grommet	4	4	4	4	4	4	4	4	4	4	4	4
25	1012-328	Compressor Bolt	4	4	4	4	4	4	4	4	4	4	4	4
26	8000-440BX	Compressor	X											
26	8000-442BX	Compressor		X										
26	8000-452BX	Compressor			X									
26	8000-391BX	Compressor				X								
26	8000-392BX	Compressor					X							
26	8000-393BX	Compressor						X						
26	8000-453BX	Compressor							X					
26	8000-454BX	Compressor								X				
26	8000-455BX	Compressor									X			
26	8000-500BX	Compressor										X		
26	8000-501BX	Compressor											X	
26	8000-502BX	Compressor												X
27	8002-012BX	Compressor Sound Cover	X	X	X									
27	8002-013BX	Compressor Sound Cover				X	X	X	X	X	X	X	X	X
29	1171-060	Flush Plastic Door Pull	2	2	2	2	2	2	2	2	2	2	2	2
30	5451-018	Motor Mount Grommet	2	2	2	2	2	2	2	2	2	2	2	2

Continued on page 8

FUNCTIONAL COMPONENTS

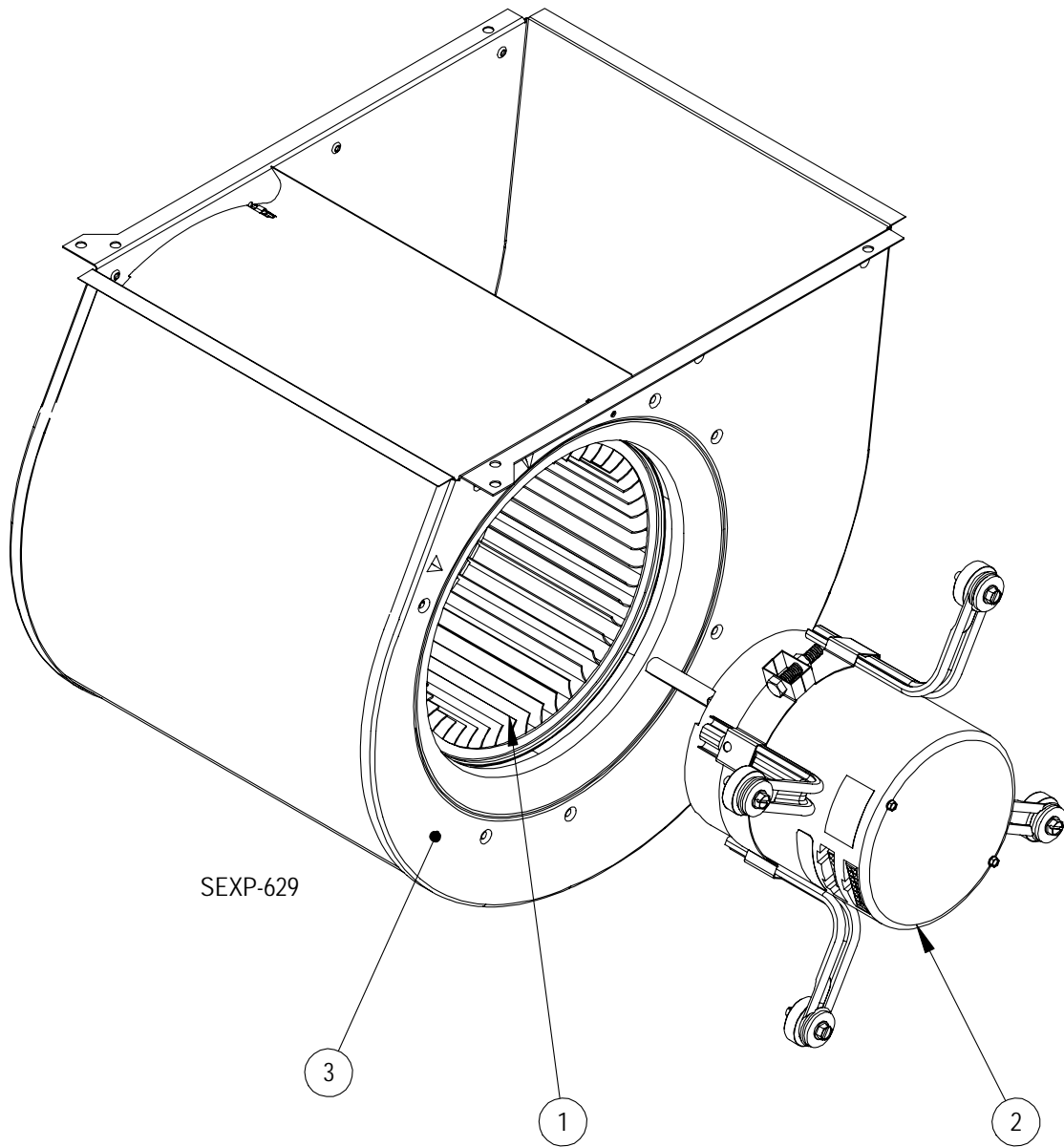
Dwg. No.	Part Number	Description	I36Z2-A	I36Z2-B	I36Z2-C	I42Z2-A	I42Z2-B	I42Z2-C	I48Z2-A	I48Z2-B	I48Z2-C	I60Z2-A	I60Z2-B	I60Z2-C
<i>Continued from page 7</i>														
31	<i>See separate chart below for Item #31</i>													
NS	5650-046BX	Rev. Valve Solenoid - Black Casing	X	X	X	X	X	X	X	X	X	X	X	X
NS	6094-011BX	3/4" Barbed Drain Pan Fitting	4	4	4	4	4	4	4	4	4	4	4	4
NS	6092-011	3/4" x 3" PVC Nipple	2	2	2	2	2	2	2	2	2	2	2	2
NS	7950-021	1" Hose Clamp	8	8	8	8	8	8	8	8	8	8	8	8
NS	6031-003	R-410A Tamper Resistant Cap	2	2	2	2	2	2	2	2	2	2	2	2
NS	910-1977BX	Evaporator Overflow Switch Assembly	X	X	X	X	X	X	X	X	X	X	X	X

NS = Not Shown

		With Vent	No Vent
31	I36Z2-C	910-2260 2.0 KVA Stepdown Transformer with Base	910-2259 1.5 KVA Stepdown Transformer with Base
	I42Z2-C		
	I48Z2-C	910-2261 3.0 KVA Stepdown Transformer with Base	910-2260 2.0 KVA Stepdown Transformer with Base
	I60Z2-C		

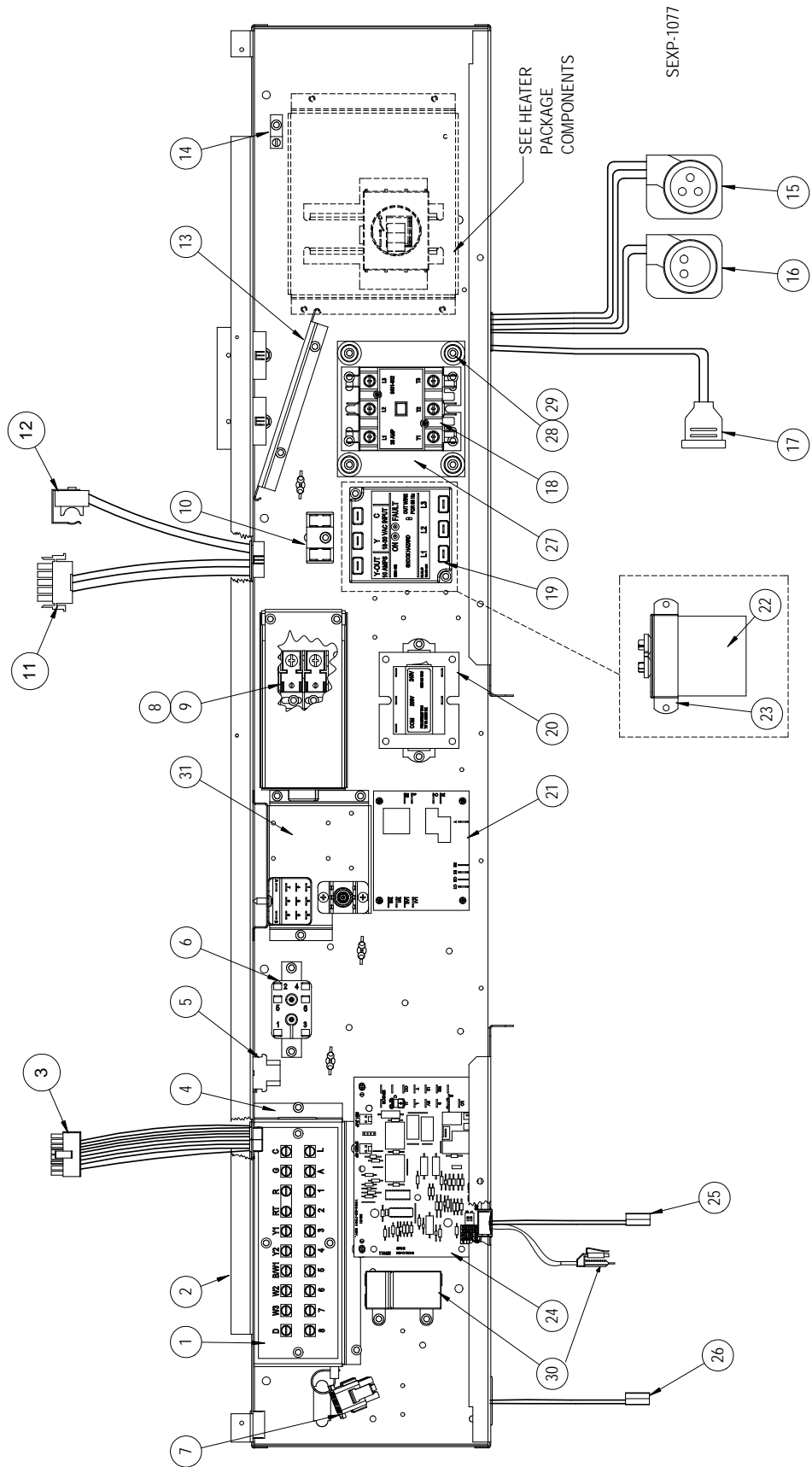
Refer to drawing on page 6

BLOWER ASSEMBLY COMPONENTS



Dwg. No.	Part Number	Description	5154-017-0089BX (136Z)	5154-017-0088BX (142Z)	5154-017-0114BX (148Z)	5154-018-0117BX (160Z)
1	5152-049BX	Blower Wheel	X	X	X	X
2	8106-072-0089BX	1/2 HP Programmed Motor	X			
2	8106-072-0088BX	1/2 HP Programmed Motor		X		
2	8106-072-0114BX	1/2 HP Programmed Motor			X	
2	8107-033-0117BX	3/4 HP Programmed Motor				X
3	151-122BX	Housing	X	X	X	X

CONTROL PANEL COMPONENTS



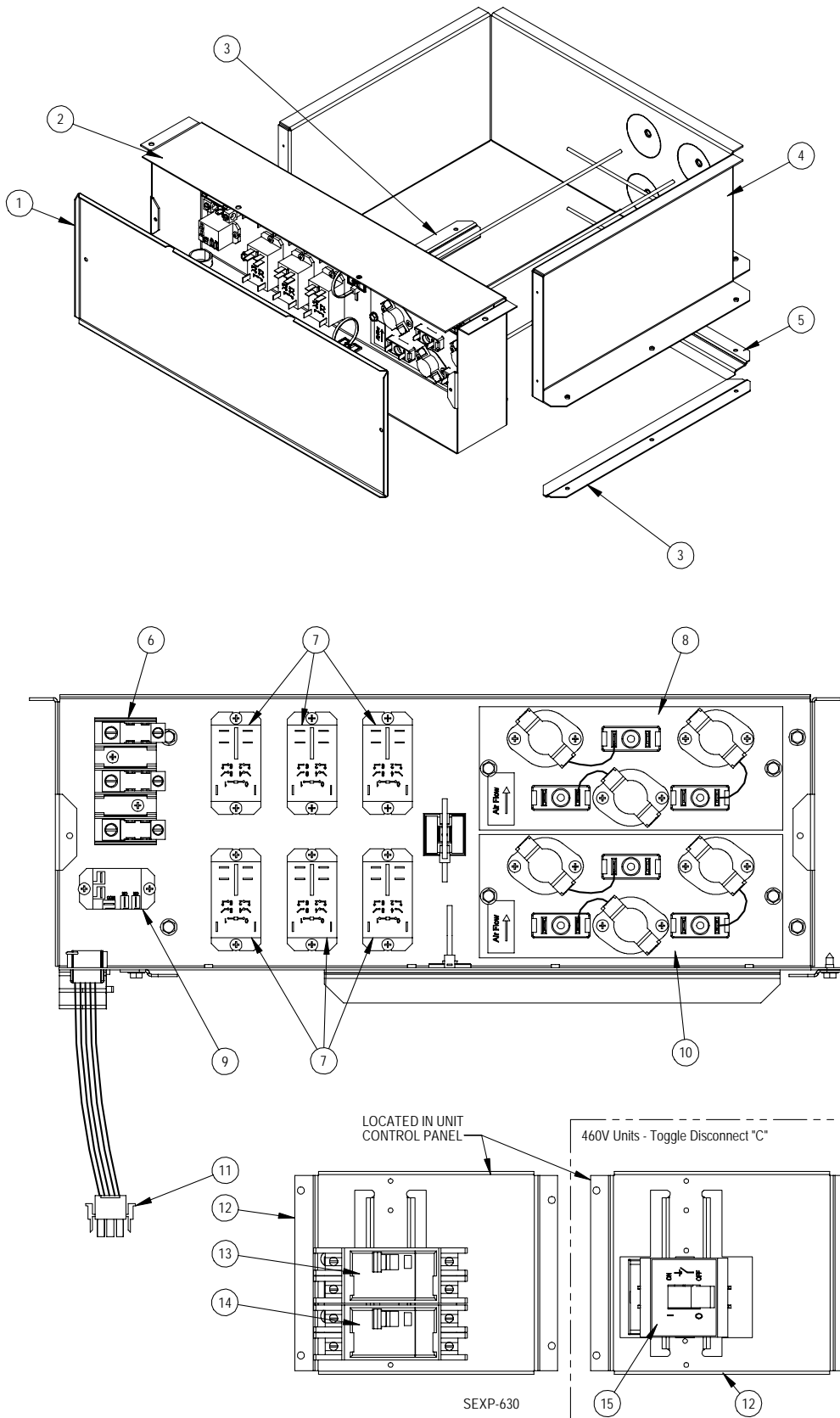
CONTROL PANEL COMPONENTS

Dwg. No.	Part Number	Description	I36Z2-A	I36Z2-B	I36Z2-C	I42Z2-A	I42Z2-B	I42Z2-C	I48Z2-A	I48Z2-B	I48Z2-C	I60Z2-A	I60Z2-B	I60Z2-C
1	8607-032BX	Low Voltage Terminal Strip	X	X	X	X	X	X	X	X	X	X	X	X
2	517-448BX	Control Panel	X	X	X	X	X	X	X	X	X	X	X	X
3	3000-1396BX	16-Pin 24V Indoor Blower Motor Control	X	X	X	X	X	X	X	X	X	X	X	X
4	117-449BX	Low Voltage Terminal Box	X	X	X	X	X	X	X	X	X	X	X	X
5	3000-1738BX	Electric Heat/Vent Low Voltage Harness	X	X	X	X	X	X	X	X	X	X	X	X
6	8201-015BX	Relay	X	X	X	X	X	X	X	X	X	X	X	X
7	3000-1524BX	Vent Jumper Plug (used when no vent option)	X	X	X	X	X	X	X	X	X	X	X	X
8	8614-041BX	Fuse Block			X			X			X			X
9	<i>See separate chart below for Item #9</i>													
10	8607-017BX	Terminal Block			X			X			X			X
11	3000-1398BX	5-Pin Indoor Blower Motor Power	X	X	X	X	X	X	X	X	X	X	X	X
12	8408-048BX	Freeze Protect Thermostat	X	X	X	X	X	X	X	X	X	X	X	X
13	135-417BX	Wire Shield	X	X	X	X	X	X	X	X	X	X	X	X
14	8611-006	Ground Terminal	X	X	X	X	X	X	X	X	X	X	X	X
15	3000-1222BX	Compressor Power Plug	X			X			X			X		
15	3000-1231BX	Compressor Power Plug		X	X		X	X		X	X		X	X
16	3000-1223BX	Compressor Solenoid Plug	X	X	X	X	X	X	X	X	X	X	X	X
17	5650-048BX	Solenoid Valve Plug	X	X	X	X	X	X	X	X	X	X	X	X
18	8401-025BX	Contactor 2 Pole 40 Amp	X			X			X			X		
18	8401-002BX	Contactor 3 Pole 25 Amp		X	X		X	X		X	X		X	X
19	8201-174BX	3-PH Line Monitor		X	X		X	X		X	X		X	X
20	8407-065BX	Transformer	X	X	X	X	X	X	X	X	X	X	X	X
21	8201-166BX	Fan Logic Control	X	X	X	X	X	X	X	X	X	X	X	X
22	8552-043BX	Compressor Capacitor (45MFD 370V)	X			X								
22	8552-086BX	Compressor Capacitor (35MFD 370V)							X					
22	8552-103BX	Compressor Capacitor (50MFD 440V)										X		
23	8550-006BX	Capacitor Strap							X					
23	8550-008BX	Capacitor Strap	X			X						X		
24	8620-223	Defrost Control Board	X	X	X	X	X	X	X	X	X	X	X	X
25	8620-225	Defrost Sensor Kit	X	X	X	X	X	X	X	X	X	X	X	X
26	8408-043BX	Fan Control Thermistor	X	X	X	X	X	X	X	X	X	X	X	X
27	116-332BX	Contactor Isolation Plate	X	X	X	X	X	X	X	X	X	X	X	X
28	5451-025	Rubber Grommet	4	4	4	4	4	4	4	4	4	4	4	4
29	5451-026	Nylon Flanged Bushing	4	4	4	4	4	4	4	4	4	4	4	4
30	910-2017BX	Overflow Switch Assembly	X	X	X	X	X	X	X	X	X	X	X	X
31	910-2093BX	Overflow Relay Assembly	X	X	X	X	X	X	X	X	X	X	X	X
NS	4202-106	Wiring Diagram	X			X			X			X		
NS	4202-206	Wiring Diagram		X			X			X			X	
NS	4202-306	Wiring Diagram			X			X			X			X

NS = Not Shown

		With Vent	Without Vent
9	I36Z2-C and I42Z2-C	(2) Part #8614-042BX 7A Class CC Fuse	(2) Part #8614-046BX 5A Class Fuse
	I48Z2-C and I60Z2-C	(2) Part #8614-043BX 10A Class CC Fuse	(2) Part #8614-042BX 7A Class CC Fuse

ELECTRIC HEATER COMPONENTS



ELECTRIC HEATER COMPONENTS

Dwg. No.	Part Number	Description	I36Z2-A0Z	I36Z2-A05, I42Z2-A05	I36Z2-A10	I36Z2-A15, I42Z2-A15	I42Z2-A0Z	I42Z2-A10	I48Z2-A0Z	I48Z2-A04	I48Z2-A05	I48Z2-A10	I48Z2-A15	I48Z2-A20, I60Z2-A20	I60Z2-A0Z	I60Z2-A05	I60Z2-A10	I60Z2-A15
1	143-148BX	Heater Box Cover	X	X	X	X	x	x	X	X	X	X	X	X	X	X	X	X
2	117-313BX	Heater Front Plate	X	X	X	X	x	x	X	X	X	X	X	X	X	X	X	X
3	103-486BX	Side Blower Offset	2	2	2	2	2	2	2	2	2	2	2	2	2	2	2	2
4	117-307BX	Heater Wrapper	X	X	X	X	X	X	X	X	X	X	X	X	X	X	X	X
5	103-487BX	Rear Blower Angle	X	X	X	X	X	X	X	X	X	X	X	X	X	X	X	X
7	8401-036BX	Contacto 2-Pole 30A		X	2	3		2		X	X	2	3	4		X	2	3
8	142-159BX	Heater Blank Off Plate	X	X	X		X	X	X	X	X	X			X	X	X	
8	8604-135BX	Heat Strip 5KW				X							X					X
8	8604-136BX	Heat Strip 10KW												X				
9	8201-130BX	Relay		X	X	X		X		X	X	X	X	X		X	X	X
10	142-159BX	Heater Blank Off Plate	X				X		X						X			
10	8604-135BX	Heat Strip 5KW		X						X						X		
10	8604-136BX	Heat Strip 10KW			X	X		X				X	X	X			X	X
10	8604-134BX	Heat Strip 4KW							X									
11	3003-097BX	6-Pin Electric Heater Wire Harness		X					X	X						X		
11	3003-099BX	6-Pin Electric Heater Wire Harness			X			X				X					X	X
11	3003-101BX	6-Pin Electric Heater Wire Harness				X							X					
11	3003-108BX	6-Pin Electric Heater Wire Harness												X				
12	127-607BX	Circuit Breaker Base	X	X	X	X	X	X	X	X	X	X	X	X	X	X	X	X
13	8615-037BX	Circuit Breaker 30A 2-Pole								X						X		
13	8615-041BX	Circuit Breaker 60A 2-Pole			X	X		X				X	X	X			X	X
14	8615-037BX	Circuit Breaker 30A 2-Pole	X		X													
14	8615-038BX	Circuit Breaker 35A 2-Pole				X	X	X										
14	8615-055BX	Circuit Breaker 40A 2-Pole							X		X	X	X					
14	8615-040BX	Circuit Breaker 50A 2-Pole								X				X	X	X	X	X
14	8615-041BX	Circuit Breaker 60A 2-Pole		X					X					X				
NS	4203-100	Wiring Diagram	X				X		X						X			
NS	4203-101	Wiring Diagram		X					X									
NS	4203-102	Wiring Diagram								X						X		
NS	4203-104	Wiring Diagram				X							X					X
NS	4203-105	Wiring Diagram												X				
NS	4203-107	Wiring Diagram			X			X									X	

NS = Not Shown

ELECTRIC HEATER COMPONENTS

Drawing No.	Part Number	Description	I36Z2-B0Z	I36Z2-B06	I36Z2-B09	I36Z2-B15	I42Z2-B0Z, I48Z2-B0Z	I42Z2-B06, I48Z2-B06	I42Z2-B09, I48Z2-B09, I60Z2-B09	I42Z2-B15, I48Z2-B15, I60Z2-B15	I48Z2-B18, I60Z2-B18	I60Z2-B0Z	I60Z2-B06
1	143-148BX	Heater Box Cover	X	X	X	X	X	X	X	X	X	X	X
2	117-313BX	Heater Front Plate	X	X	X	X	X	X	X	X	X	X	X
3	103-486BX	Side Blower Offset	2	2	2	2	2	2	2	2	2	2	2
4	117-307BX	Heater Wrapper	X	X	X	X	X	X	X	X	X	X	X
5	103-487BX	Rear Blower Angle	X	X	X	X	X	X	X	X	X	X	X
6	8607-014	Terminal Block									X		
7	8401-036	Contactora 2-Pole 30A		3	3	6		3	3	6	6		3
8	142-159BX	Heater Blank Off Plate	X				X					X	
8	8604-137	Heat Strip 6KW		X				X					X
8	8604-138	Heat Strip 9KW			X	X		X	X	X	X		
9	8201-130BX	Relay		X	X	X		X	X	X			X
10	142-159BX	Heater Blank Off Plate	X				X					X	
10	8604-137	Heat Strip 6KW		X				X					X
10	8604-138	Heat Strip 9KW			X	X		X	X	X	X		
11	3003-103BX	6-Pin Electric Heater Wire Harness		X	X			X	X				X
11	3003-105BX	6-Pin Electric Heater Wire Harness				X				X	X		
12	127-607BX	Circuit Breaker Base	X	X	X	X	X	X	X	X	X	X	X
13	8615-052BX	Circuit Breaker 30A 3-Pole									X		
14	8615-051BX	Circuit Breaker 25A 3-Pole	X										
14	8615-052BX	Circuit Breaker 30A 3-Pole					X						
14	8615-042BX	Circuit Breaker 35A 3-Pole									X	X	
14	8615-043BX	Circuit Breaker 40A 3-Pole		X									
14	8615-044BX	Circuit Breaker 45A 3-Pole						X					
14	8615-045BX	Circuit Breaker 50A 3-Pole			X								X
14	8615-046BX	Circuit Breaker 60A 3-Pole				X		X	X				
NS	4203-200	Wiring Diagram	X				X					X	
NS	4203-201	Wiring Diagram		X	X			X	X				X
NS	4203-202	Wiring Diagram				X				X			
NS	4203-203	Wiring Diagram									X		

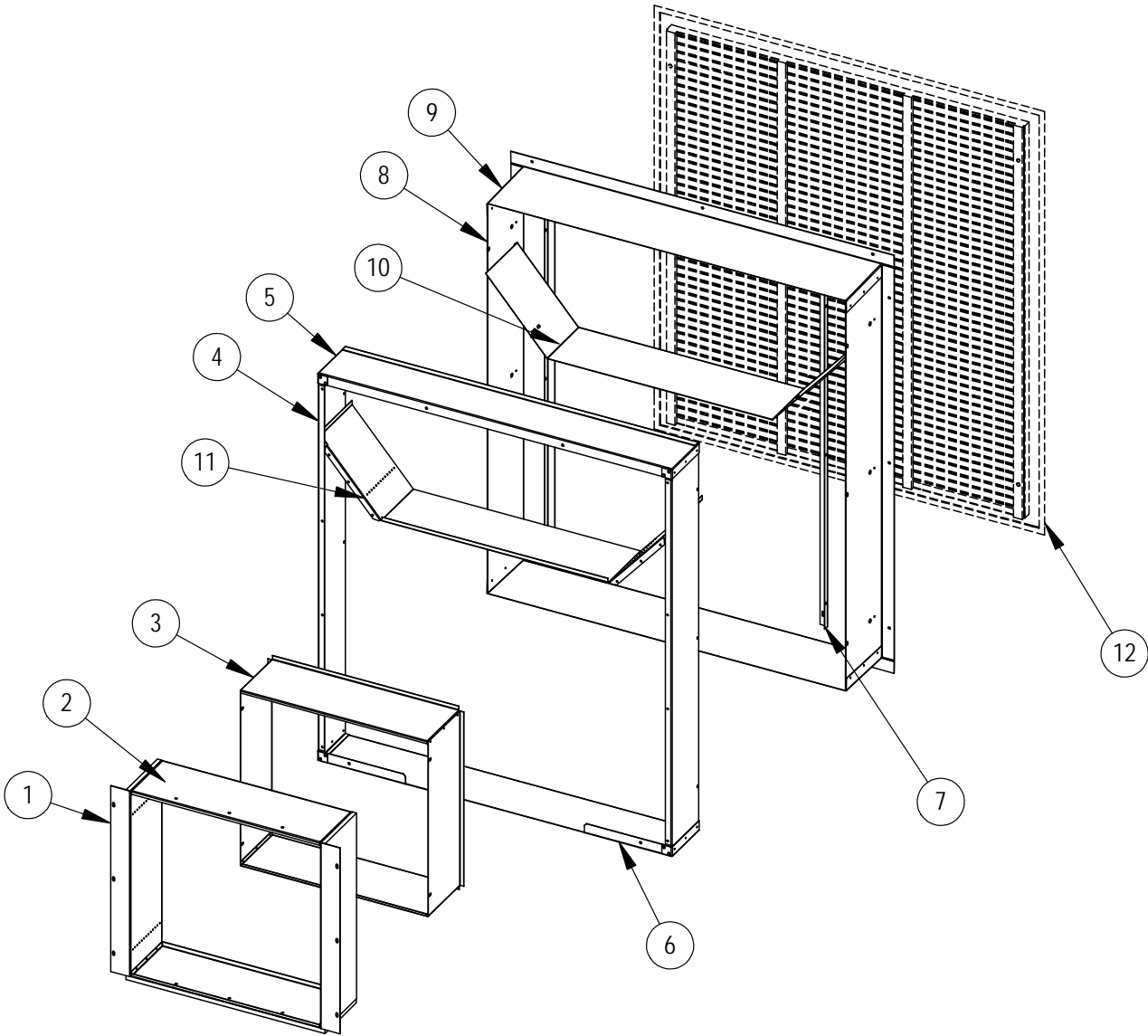
NS = Not Shown

ELECTRIC HEATER COMPONENTS

Drawing No.	Part Number	Description	I36Z2-C0C, I42Z2-C0C	I48Z2-C0C, I60Z2-C0C	I36Z2-C0Z, I42Z2-C0Z	I48Z2-C0Z, I60Z2-C0Z	I36Z2-C06, I42Z2-C06	I48Z2-C06, I60Z2-C06	I36Z2-C09, I42Z2-C09	I48Z2-C09, I60Z2-C09	I36Z2-C15, I42Z2-C15	I48Z2-C15, I60Z2-C15	I48Z2-C18, I60Z2-C18
1	143-148BX	Heater Box Cover	X	X	X	X	X	X	X	X	X	X	X
2	117-313BX	Heater Front Plate	X	X	X	X	X	X	X	X	X	X	X
3	103-486BX	Side Blower Offset	2	3	2	2	2	2	2	2	2	2	2
4	117-307BX	Heater Wrapper	X	X	X	X	X	X	X	X	X	X	X
5	103-487BX	Rear Blower Angle	X	X	X	X	X	X	X	X	X	X	X
6	8607-014	Terminal Block											X
7	8401-036	Contactora 2-Pole 30A					2	2	2	4	4	4	4
8	142-159BX	Heater Blank Off Plate	X	X	X		X	X	X	X	X	X	X
8	8604-139BX	Heat Strip 6KW					X						
8	8604-140BX	Heat Strip 9KW											
9	8201-130BX	Relay		X	X	X	X				X	X	X
10	142-159BX	Heater Blank Off Plate	X					X					
10	8604-139	Heat Strip 6KW		X							X		
10	8604-140	Heat Strip 9KW			X	X	X						X
11	3003-099BX	6-Pin Electric Heater Wire Harness		X	X						X	X	X
11	3003-108BX	6-Pin Electric Heater Wire Harness					X						
12	127-607BX	Circuit Breaker Base	X	X	X	X	X	X	X	X	X	X	X
14	8615-062BX	Circuit Breaker 15A	X										
14	8615-063BX	Circuit Breaker 20A		X									
15	8615-067BX	Toggle Disconnect 40A 460V			X	X	X	X	X	X	X	X	X
NS	4203-300	Wiring Diagram			X		X	X	X	X	X	X	X
NS	4203-301	Wiring Diagram					X	X	X	X	X	X	X
NS	4203-302	Wiring Diagram									X	X	X
NS	4203-303	Wiring Diagram	X	X									

NS = Not Shown

SLEEVE COMPONENTS



SEXP-1087

SLEEVE COMPONENTS

Dwg. No.	Part Number	Description	IZWS-A	IZWS-B	IZWS-C
1	111-359-8BX	Outer Fan Sleeve Side	X		
1	111-285-8BX	Outer Fan Sleeve Side		X	
1	111-369-8BX	Outer Fan Sleeve Side			X
2	111-358-8BX	Outer Fan Sleeve End	X		
2	111-364-8BX	Outer Fan Sleeve End		X	
2	111-321-8BX	Outer Fan Sleeve End			X
3	111-360-8BX	Inner Fan Sleeve Side	2		
3	111-365-8BX	Inner Fan Sleeve Side		2	
3	111-370-8BX	Inner Fan Sleeve Side			2
4	111-186-8BX	Inner Sleeve Side	X		
4	111-193-8BX	Inner Sleeve Side		X	
4	111-200-8BX	Inner Sleeve Side			X
5	111-185-8BX	Inner Sleeve Top	X		
5	111-192-8BX	Inner Sleeve Top		X	
5	111-199-8BX	Inner Sleeve Top			X
6	111-357-8BX	Inner Sleeve Bottom	X		
6	111-363-8BX	Inner Sleeve Bottom		X	
6	111-368-8BX	Inner Sleeve Bottom			X
7	105-1394-8BX	Grille Support Angle	2	2	2
8	111-184-8BX	Outer Sleeve Side	X		
8	111-191-8BX	Outer Sleeve Side		X	
8	111-198-8BX	Outer Sleeve Side			X
9	111-183-8BX	Outer Sleeve End	X		
9	111-190-8BX	Outer Sleeve End		X	
9	111-197-8BX	Outer Sleeve End			X
10	111-361-8BX	Outer Fresh Air Partition	X	X	X
10	111-366-8BX	Outer Fresh Air Partition	X	X	X
10	111-371-8BX	Outer Fresh Air Partition	X	X	X
11	111-362-8BX	Inner Fresh Air Partition	X	X	X
11	111-367-8BX	Inner Fresh Air Partition	X	X	X
11	111-372-8BX	Inner Fresh Air Partition	X	X	X
12	ILG-10	Outdoor Louver Grille - Clear Anodized	X	X	X
12	ILG-20	Outdoor Louver Grille - Medium Bronze	X	X	X
12	ILG-30	Outdoor Louver Grille - Dark Bronze	X	X	X
NS	142-260	Blank Off Plate	X	X	X

NS = Not Shown