
REPLACEMENT PARTS MANUAL

Q-TEC™ Series Packaged Heat Pump

Models:

QW2S3DA QW3S3DA QW4S3DA QW5S3DA
QW2S3DB QW3S3DB QW4S3DB QW5S3DB
QW2S3DC QW3S3DC QW4S3DC QW5S3DC

Contents

| Description | Page | Description | Page |
|--------------------------|------|-------------------------------------|------|
| Cabinet Components | | Blower Assembly Components | |
| ♦ Exploded View..... | 2 | ♦ Exploded View..... | 10 |
| ♦ Usage List..... | 3 | ♦ Usage List..... | 11 |
| Functional Components | | Pump Module Components | |
| ♦ Exploded View..... | 4 | ♦ Exploded View..... | 12 |
| ♦ Usage List..... | 5 | ♦ Usage List..... | 13 |
| Control Panel Components | | Optional Climate Control Components | |
| ♦ Exploded View..... | 6 | ♦ Exploded View..... | 14 |
| ♦ Usage List..... | 7 | ♦ Usage List – All Units..... | 15 |
| ♦ Exploded View..... | 8 | ♦ Exploded View..... | 16 |
| ♦ Usage List..... | 9 | ♦ Usage List – Option S..... | 17 |
| | | ♦ Exploded View..... | 18 |
| | | ♦ Usage List – Option C..... | 19 |
| | | ♦ Exploded View..... | 20 |
| | | ♦ Usage List – Options 1-4..... | 21 |
| | | Wall Sleeve Cabinet Components | |
| | | ♦ Exploded View..... | 22 |
| | | ♦ Usage List..... | 23 |

General Notes

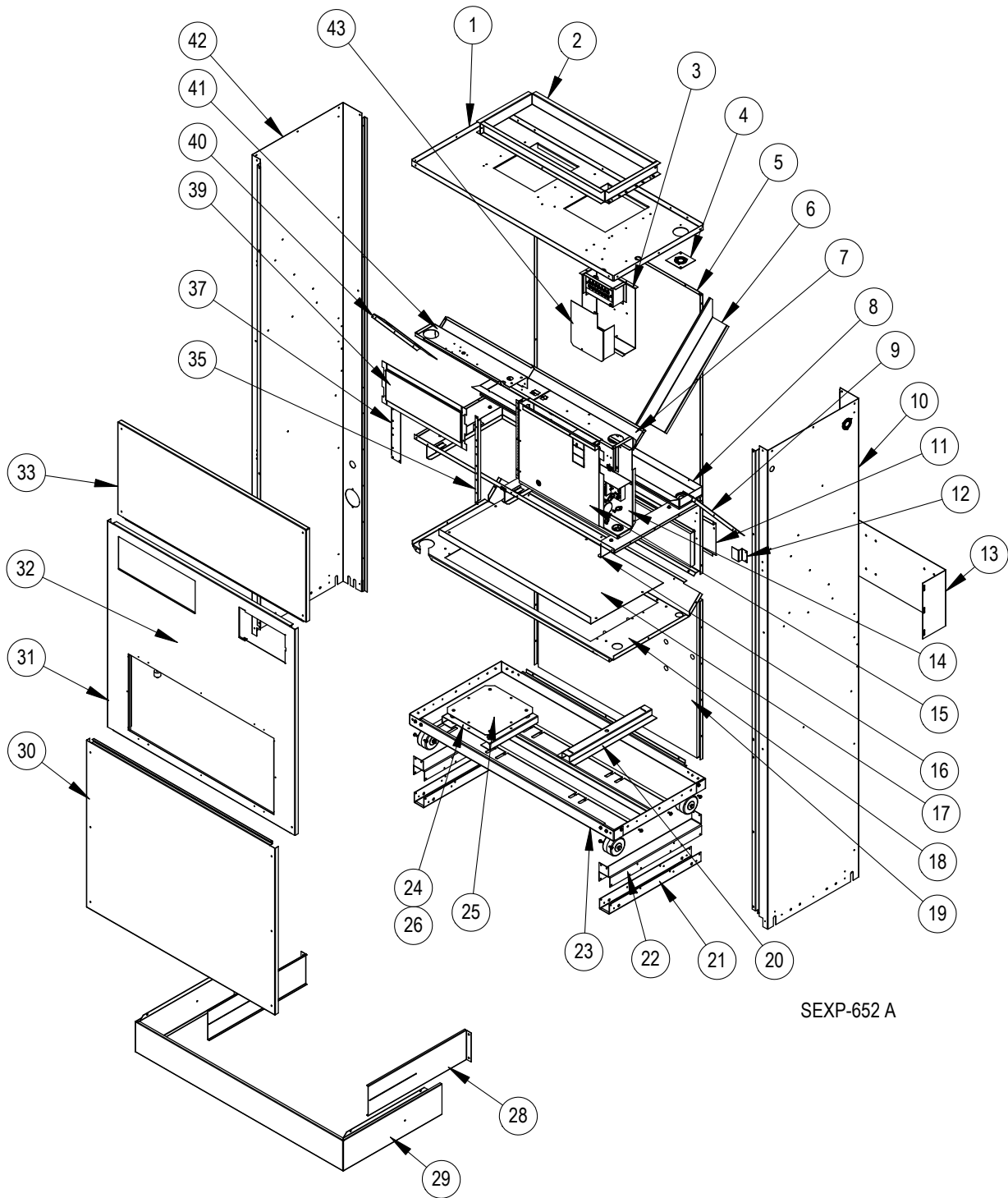
- Revised and/or additional pages may be issued from time to time.
- A complete and current manual consists of pages shown in the following contents section.



Bard Manufacturing Company, Inc.
Bryan, Ohio 43506
www.bardhvac.com

Manual: 2110-1558G
Supersedes: 2110-1558F
Date: 11-16-21
REVISED: 2-13-24

CABINET COMPONENTS



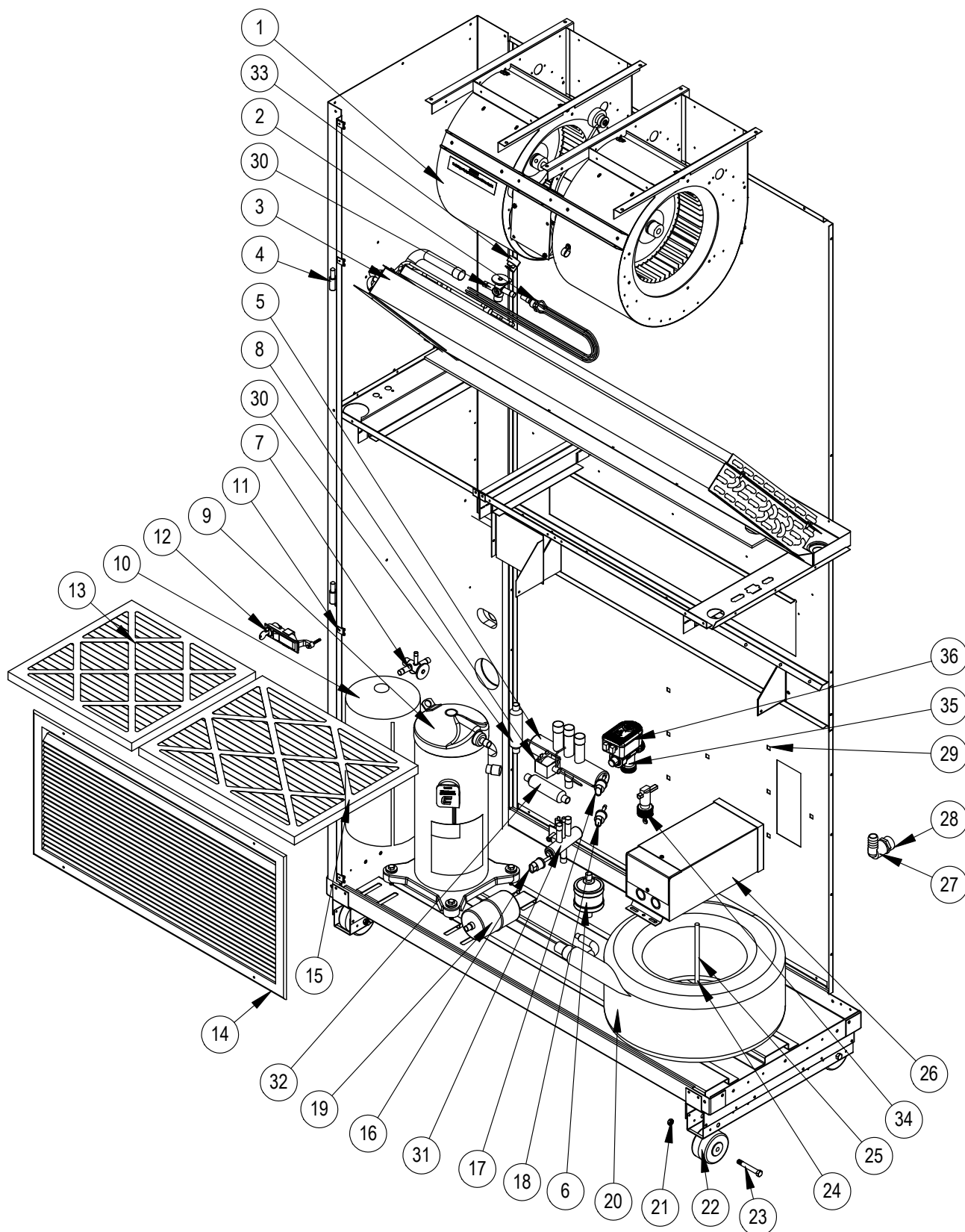
SEXP-652 A

CABINET COMPONENTS

| Drawing No. | Part No. | Description | QW2S3DA, DB, DC | QW4S3DA, DB, DC |
|-------------|-----------------|---|-----------------|-----------------|
| | | | QW3S3DA, DB, DC | QW5S3DA, DB, DC |
| 1 | S507-279 | Top Assembly | X | |
| 1 | S507-278 | Top Assembly | | X |
| 2 | 111-142 | Outlet Duct Flange | 2 | |
| 2 | 111-138 | Outlet Duct Flange | | 2 |
| 3 | 117-285 | Low Voltage Box Assembly | X | X |
| 4 | 136-359 | T.K.O. Plate | X | X |
| 5 | 509-231 | Back Assembly | X | |
| 5 | 509-230 | Back Assembly | | X |
| 6 | 134-154 | Wire Channel | X | X |
| 7 | 534-191 | Evaporator Coil Shield - Right | X | |
| 7 | 534-195 | Evaporator Coil Shield - Right | | X |
| 8 | 523-104 | Evaporator Drain Pan Assembly | X | |
| 8 | 523-105 | Evaporator Drain Pan Assembly | | X |
| 9 | 140X277 | Right Evaporator Support | X | X |
| 10 | 501-557-* | Ride Side Assembly | X | X |
| 11 | 542-054 | Fresh Air Blank-Off Plate Assembly | X | X |
| 12 | 103-443 | Door Latch Offset | X | X |
| 13 | 113-289 | Wall Mounting Bracket | 2 | 2 |
| 14 | See Pages 7 & 9 | Control Panel Components | X | X |
| 15 | S133-315 | Circuit Breaker Door Inner (230V Models) | X | X |
| 15 | S133-316 | Disconnect Door (460V Models) | X | X |
| 16 | 919-0011 | Filter Partition Assembly | X | |
| 16 | 919-0012 | Filter Partition Assembly | | X |
| 17 | 537-584 | Condenser Blank-Off Plate | X | X |
| 18 | 521-442 | Condenser Partition Assembly | X | |
| 18 | 521-439 | Condenser Partition Assembly | | X |
| 19 | 509-233 | Lower Back with Cage Nuts | X | |
| 19 | 509-223 | Lower Back with Cage Nuts | | X |
| 20 | 140-026 | Water Coil Hold Down (230V Models) | X | X |
| 20 | 140-278 | Water Coil Hold Down (460V Models) | X | X |
| 21 | 140-276 | Lower Roller Support | 2 | 2 |
| 22 | 140-280 | Upper Roller Support | 2 | 2 |
| 23 | S127-384-X | Lower Base Assembly | X | |
| 23 | S127-379-X | Lower Base Assembly | | X |
| 24 | 141-368 | Compressor Support | X | X |
| 25 | 140-369 | Compressor Support Plate | X | X |
| 26 | 5451-018 | Motor Mount Grommet | X | X |
| 28 | 135-258-6 | Base Trim Extension | 2 | 2 |
| 29 | 535-253-6 | Base Trim Assembly with Extension | X | |
| 29 | 535-259-6 | Base Trim Assembly with Extension | | X |
| 30 | 552-332-* | Condenser Door Assembly | X | |
| 30 | 553-470-* | Condenser Door Assembly | | X |
| 31 | 553-468-* | Filter Door Assembly w/Circuit Breaker Door | X | |
| 31 | 553-469-* | Filter Door Assembly w/Circuit Breaker Door | | X |
| 32 | 153-336-* | Circuit Breaker Door | | X |
| 33 | S552-331-* | Blower Door Assembly | X | |
| 33 | S552-333-* | Blower Door Assembly | | X |
| 35 | 104-1096 | Right Thermostat Support Angle | X | X |
| 37 | 104-1157 | Left Thermostat Support Angle | X | X |
| 39 | See Page 13 | Thermostat Mounting Plate | X | X |
| 40 | 140Y277 | Left Evaporator Support | X | X |
| 41 | 534-190 | Left Evaporator Coil Shield | X | X |
| 42 | 501-573-* | Left Side Assembly | X | X |
| 43 | 133-201 | Low Voltage Box Cover | X | X |

* Exterior cabinet parts are manufactured with various paint color options. To ensure the proper paint color is received, reference the following codes: Beige -X, White -1, Buckeye Gray -4, Vinyl/Slate Finish -6, Vinyl/Platinum Finish -7

FUNCTIONAL COMPONENTS



SEXP-1018

FUNCTIONAL COMPONENTS

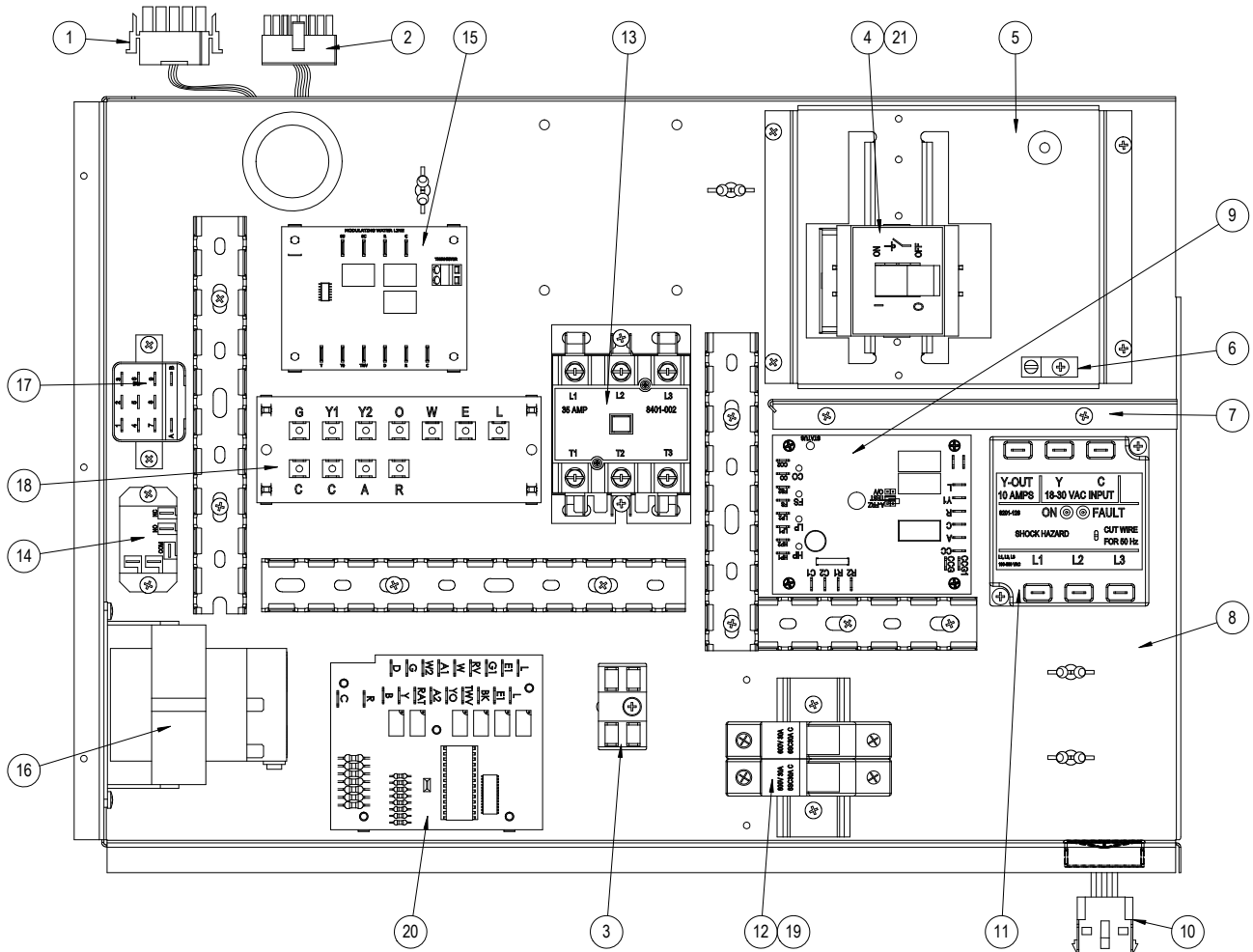
| Drawing No. | Part No. | Description | QW2S3DA | QW2S3DB | QW2S3DC | QW3S3DA | QW3S3DB | QW3S3DC | QW4S3DA | QW4S3DB | QW4S3DC | QW5S3DA | QW5S3DB | QW5S2DC |
|-------------|--------------|--|---------|---------|---------|---------|---------|---------|---------|---------|---------|---------|---------|---------|
| 1 | S900-380-001 | Blower Assembly | X | X | X | | | | | | | | | |
| 1 | S900-381-001 | Blower Assembly | | | | X | X | X | | | | | | |
| 1 | S900-382-001 | Blower Assembly | | | | | | | X | X | X | | | |
| 1 | S900-382-002 | Blower Assembly | | | | | | | | | | X | X | X |
| 2 | 5625-007 | Distributor Cooling | X | X | X | X | X | X | | | | | | |
| 2 | 5625-008 | Distributor Cooling | | | | | | | X | X | X | | | |
| 2 | 5625-010 | Distributor Cooling | | | | | | | | | | X | X | X |
| 3 | 917-0086BX | Evaporator Coil | X | X | X | X | X | X | | | | | | |
| 3 | 917-0166BX | Evaporator Coil | | | | | | | X | X | X | | | |
| 3 | 917-0089BX | Evaporator Coil | | | | | | | | | | X | X | X |
| 4 | 5400-005 | Hinge | 2 | 2 | 2 | 2 | 2 | 2 | 2 | 2 | 2 | 2 | 2 | 2 |
| 5 | 5650-038 | Reversing Valve with 24V Solenoid Coil | X | X | X | | | | | | | | | |
| 5 | 5650-039 | Reversing Valve with 24V Solenoid Coil | | | | X | X | X | | | | | | |
| 5 | 5650-040 | Reversing Valve with 24V Solenoid Coil | | | | | | | X | X | X | X | X | X |
| 6 | 5220-013 | Discharge Muffler | X | X | X | X | X | X | X | X | X | X | X | X |
| 7 | 5651-191 | TXV | X | X | X | | | | | | | | | |
| 7 | 5651-210 | TXV | | | | X | X | X | | | | | | |
| 7 | 5651-211 | TXV | | | | | | | X | X | X | | | |
| 7 | 5651-212 | TXV | | | | | | | | | | X | X | X |
| 8 | 5650-042 | Reversing Valve Solenoid, Red Casing (Ranco) | X | X | X | X | X | X | X | X | X | X | X | X |
| 8 | 5650-043 | Reversing Valve Solenoid, Black Casing (Wilspec) | X | X | X | X | X | X | X | X | X | X | X | X |
| 8 | 5650-046 | Reversing Valve Solenoid, Black Casing (San Hua) | X | X | X | X | X | X | X | X | X | X | X | X |
| 9 | 8000-394 | Compressor | X | | | | | | | | | | | |
| 9 | 8000-396 | Compressor | | X | | | | | | | | | | |
| 9 | 8000-398 | Compressor | | | X | | | | | | | | | |
| 9 | 8000-379 | Compressor | | | | X | | | | | | | | |
| 9 | 8000-380 | Compressor | | | | | X | | | | | | | |
| 9 | 8000-381 | Compressor | | | | | | X | | | | | | |
| 9 | 8000-382 | Compressor | | | | | | | X | | | | | |
| 9 | 8000-383 | Compressor | | | | | | | | X | | | | |
| 9 | 8000-384 | Compressor | | | | | | | | | X | | | |
| 9 | 8000-385 | Compressor | | | | | | | | | | X | | |
| 9 | 8000-386 | Compressor | | | | | | | | | | | X | |
| 9 | 8000-387 | Compressor | | | | | | | | | | | | X |
| 10 | 8002-012 | Sound Cover | X | X | X | X | X | X | X | X | X | X | X | X |
| 10 | 8002-013 | Sound Cover | | | | | | | X | X | X | X | X | X |
| 11 | 1012-315 | *U* Clip Fastener | 8 | 8 | 8 | 8 | 8 | 8 | 8 | 8 | 8 | 8 | 8 | 8 |
| 12 | 1171-049 | Keypad/Circuit Breaker Door | X | X | X | X | X | X | X | X | X | X | X | X |
| 13 | 7004-034 | Air Filter 2 Pleated (16 x 16 x 2) | X | X | X | X | X | X | X | X | X | X | X | X |
| 14 | 7051-034 | Return Air Grille (for Beige & Buckeye Gray Units) | X | X | X | X | X | X | | | | | | |
| 14 | 7051-061 | Return Air Grille (for Vinyl Units) | X | X | X | X | X | X | | | | | | |
| 14 | 7051-039 | Return Air Grille (for Beige & Buckeye Gray Units) | | | | | | | X | X | X | X | X | X |
| 14 | 7051-063 | Return Air Grille (for Vinyl Units) | | | | | | | X | X | X | X | X | X |
| 15 | 7004-035 | Air Filter 2 Pleated (16 x 20 x 2) | X | X | X | X | X | X | | | | | | |
| 15 | 7004-025 | Air Filter 2 Pleated (16 x 25 x 2) | | | | | | | X | X | X | X | X | X |
| 16 | 1804-0327 | High Pressure Switch | X | X | X | X | X | X | X | X | X | X | X | X |
| 17 | 1804-0496 | Low Pressure Switch 75 PSIG | X | X | X | X | X | X | X | X | X | X | X | X |
| 18 | 1804-0499 | Low Pressure Switch 55 PSIG | X | X | X | X | X | X | X | X | X | X | X | X |
| 19 | 5201-019 | Filter/Drier | X | X | X | X | X | X | | | | | | |
| 19 | 5201-020 | Filter/Drier | | | | | | | X | X | X | X | X | X |
| 20 | 917-0133 | Water Coil Assembly | X | X | X | X | X | X | | | | | | |
| 20 | 917-0138 | Water Coil Assembly (Optional Cupronickel Coil) | X | X | X | X | X | X | | | | | | |
| 20 | 917-0125 | Water Coil Assembly | | | | | | | X | X | X | | | |
| 20 | 917-0139 | Water Coil Assembly (Optional Cupronickel Coil) | | | | | | | X | X | X | | | |
| 20 | 917-0074 | Water Coil Assembly | | | | | | | | | | X | X | X |
| 20 | 917-0064 | Water Coil Assembly (Optional Cupronickel Coil) | | | | | | | | | | X | X | X |
| 21 | 1012-224 | Nut - Locking | 4 | 4 | 4 | 4 | 4 | 4 | 4 | 4 | 4 | 4 | 4 | 4 |
| 22 | 1171-035 | Wheel | 4 | 4 | 4 | 4 | 4 | 4 | 4 | 4 | 4 | 4 | 4 | 4 |
| 23 | 1012-129 | Bolt - Shoulder | 4 | 4 | 4 | 4 | 4 | 4 | 4 | 4 | 4 | 4 | 4 | 4 |
| 24 | 1012-226 | Cage Nut | X | X | X | X | X | X | X | X | X | X | X | X |
| 25 | 1012-167 | 3/8 x 7-1/2 Hex Head Bolt | X | X | X | X | X | X | | | | | | |
| 25 | 1012-168 | 3/8 x 9 Hex Head Bolt | | | | | | | X | X | X | | | |
| 25 | 1012-169 | 3/8 x 10 Hex Head Bolt | | | | | | | | | | X | X | X |
| 26 | 8407-058 | Stepdown Transformer 1.0 KVA | | | X | | | X | | | X | | | |
| 26 | 8407-003 | Stepdown Transformer 1.5 KVA (Units w/ERV) | | | X | | | X | | | | | | |
| 26 | 8407-004 | Stepdown Transformer 2.0 KVA (Units w/ERV) | | | | | | | | | X | | | X |
| 26 | 8407-003 | Stepdown Transformer 1.5 KVA | | | | | | | | | | | | X |
| 27 | 6094-007 | Barbed Drain Fitting | X | X | X | X | X | X | X | X | X | X | X | X |
| 28 | 6093-011 | 3/4 Male Adapter | X | X | X | X | X | X | X | X | X | X | X | X |
| 29 | 1012-218 | 1/4 Cage Nut | 6 | 6 | 6 | 6 | 6 | 6 | 6 | 6 | 6 | 6 | 6 | 6 |
| 30 | 5651-200 | TXV | X | X | X | | | | | | | | | |
| 30 | 5651-210 | TXV | | | | X | X | X | | | | | | |
| 30 | 5651-211 | TXV | | | | | | | X | X | X | | | |
| 30 | 5651-212 | TXV | | | | | | | | | | X | X | X |
| 31 | 5650-051 | Dehum. Valve, 4-Pipe | X | X | X | X | X | X | X | X | X | X | X | X |
| 32 | 5651-219 | Check Valve | 2 | 2 | 2 | 2 | 2 | 2 | 2 | 2 | 2 | 2 | 2 | 2 |
| 33 | 8408-048 | Freeze Protect Thermostat | X | X | X | X | X | X | X | X | X | X | X | X |
| 34 | 910-1931 | Flow Switch Assembly | X | X | X | X | X | X | X | X | X | X | X | X |
| 35 | 8603-042 | 3-Way Valve | X | X | X | X | X | X | X | X | X | X | X | X |
| 36 | 8603-043 | Actuator | X | X | X | X | X | X | X | X | X | X | X | X |
| NS | 1818-064 | DOR TO Valve | | X | | | | | | | | X | | |
| NS | 1818-065 | 1" Threaded TO Valve | | | X | | | X | | | X | | | X |
| NS | 6031-009 | Coremax Valve Core | X | X | X | X | X | X | X | X | X | X | X | X |
| NS | 8603-046 | 1-3/16" OD x 13/16" ID - Valve Connection Gasket | 3 | 3 | 3 | 3 | 3 | 3 | 3 | 3 | 3 | 3 | 3 | 3 |

NS = Not Shown

CONTROL PANEL COMPONENTS

| Drawing No. | Part No. | Description | QW2S3DA | QW3S3DA | QW4S3DA | QW5S3DA |
|-------------|-----------|-----------------------------------|---------|---------|---------|---------|
| 1 | 3000-1331 | Wire Assembly (Blower Power) | X | X | X | X |
| 2 | 3000-1677 | Wire Assembly (Blower Control) | X | X | X | X |
| 4 | 8615-037 | Circuit Breaker 2 Pole 30A | X | | | |
| 4 | 8615-055 | Circuit Breaker 2 Pole 40A | | X | | |
| 4 | 8615-040 | Circuit Breaker 2 Pole 50A | | | X | |
| 4 | 8615-041 | Circuit Breaker 2 Pole 60A | | | | X |
| 5 | 126-550 | Circuit Breaker Base | X | X | X | X |
| 6 | 8611-006 | Terminal | X | X | X | X |
| 7 | 117-242 | Circuit Breaker Box Partition | X | X | X | X |
| 8 | 117-421 | Control Panel | X | X | X | X |
| 9 | 8201-140 | Compressor Control Module | X | X | X | X |
| 10 | 3000-1349 | Wire Assembly (Vent Control) | X | X | X | X |
| 11 | 8552-086 | Capacitor 35 - 370V | X | | | |
| 11 | 8552-035 | Capacitor 40 - 370V | | X | | |
| 11 | 8552-095 | Capacitor 30 - 370V | | | X | |
| 11 | 8552-096 | Capacitor 40 - 440V | | | | X |
| 12 | 8550-006 | Capacitor Bracket | X | X | X | |
| 12 | 8550-007 | Capacitor Bracket | | | | X |
| 13 | 8401-025 | Contactors | X | X | X | X |
| 14 | 8201-130 | Relay, SPDT | X | X | X | X |
| 15 | 8201-168 | Water Modulation Control Board | X | X | X | X |
| 16 | 8407-065 | Transformer 208/240 - 24VAC 75 VA | X | X | X | X |
| 17 | 8201-159 | Relay, DPDT | X | X | X | X |
| 18 | 8607-029 | Terminal Strip | X | X | X | X |
| 20 | 8201-113 | Dehum Logic Board | X | X | X | X |
| NS | 4113-108 | Wiring Diagram | X | X | X | X |

CONTROL PANEL COMPONENTS

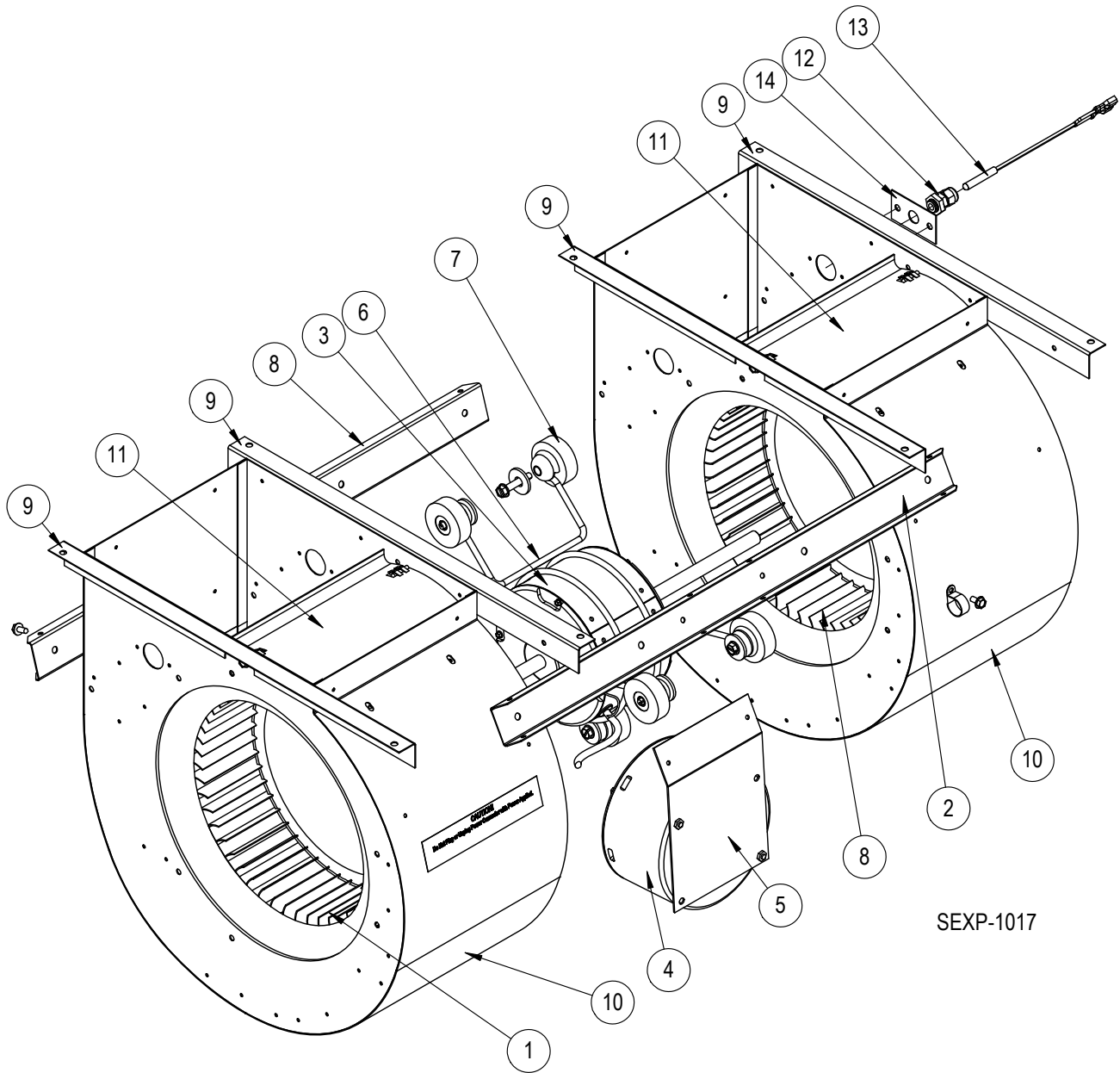


SEXP-1016

CONTROL PANEL COMPONENTS

| Drawing No. | Part No. | Description | QW2S3DB | QW2S3DC | QW3S3DB | QW3S3DC | QW4S3DB | QW4S3DC | QW5S3DB | QW5S3DC |
|-------------|-----------|-----------------------------------|---------|---------|---------|---------|---------|---------|---------|---------|
| 1 | 3000-1331 | Wire Assembly (Blower Power) | X | X | X | X | X | X | X | X |
| 2 | 3000-1677 | Wire Assembly (Blower Control) | X | X | X | X | X | X | X | X |
| 3 | 8607-017 | Terminal Block | | X | | X | | X | | X |
| 4 | 8615-054 | Circuit Breaker 2 Pole 20A | X | | | | | | | |
| 4 | 8615-052 | Circuit Breaker 2 Pole 30A | | | X | | | | | |
| 4 | 8615-042 | Circuit Breaker 2 Pole 35A | | | | | X | | | |
| 4 | 8615-043 | Circuit Breaker 2 Pole 40A | | | | | | | X | |
| 4 | 8615-095 | 460V Toggle Disconnect | | X | | X | | X | | X |
| 5 | 127-549 | Circuit Breaker Base | | X | | X | | X | | X |
| 5 | 127-550 | Circuit Breaker Base | X | | X | | X | | X | |
| 6 | 8611-006 | Terminal | X | X | X | X | X | X | X | X |
| 7 | 117-242 | Circuit Breaker Box Partition | X | X | X | X | X | X | X | X |
| 8 | 117-421 | Control Panel | X | X | X | X | X | X | X | X |
| 9 | 8201-140 | Compressor Control Module | X | X | X | X | X | X | X | X |
| 10 | 3000-1349 | Wire Assembly (Vent Control) | X | X | X | X | X | X | X | X |
| 11 | 8201-126 | 3 Phase Line Monitor | X | X | X | X | X | X | X | X |
| 12 | 8614-058 | Fuse Block | | X | | X | | X | | X |
| 13 | 8401-002 | Contactor | X | X | X | X | X | X | X | X |
| 14 | 8201-130 | Relay, SPDT | X | X | X | X | X | X | X | X |
| 15 | 8201-168 | Water Modulation Control Board | X | X | X | X | X | X | X | X |
| 16 | 8407-065 | Transformer 208/240 - 24VAC 75 VA | X | | X | | X | | X | |
| 16 | 8407-050 | Transformer 480/24VAC 75 VA | | X | | X | | X | | X |
| 17 | 8201-159 | Relay, DPDT | X | X | X | X | X | X | X | X |
| 18 | 8607-029 | Terminal Strip | X | X | X | X | X | X | X | X |
| 19 | 8614-047 | Fuse 3.2A | | 2 | | 2 | | 2 | | |
| 19 | 8614-046 | Fuse 5A (Units with ERV) | | 2 | | 2 | | | | |
| 19 | 8614-042 | Fuse 7A (Units with ERV) | | | | | | 2 | | 2 |
| 19 | 8614-046 | Fuse 5A | | | | | | | | 2 |
| 20 | 8201-113 | Dehum Logic Board | X | X | X | X | X | X | X | X |
| 21 | 8615-069 | Switch Cover Plate | | X | | X | | X | | X |
| NS | 4113-208 | Wiring Diagram | X | | X | | X | | X | |
| NS | 4113-308 | Wiring Diagram | | X | | X | | X | | X |

BLOWER ASSEMBLY COMPONENTS

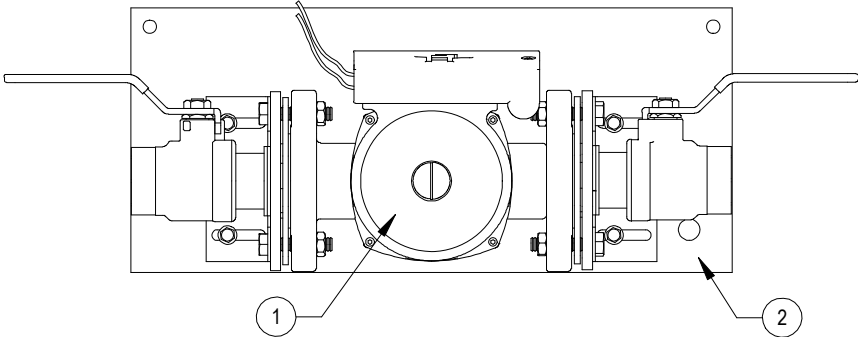


SEXP-1017

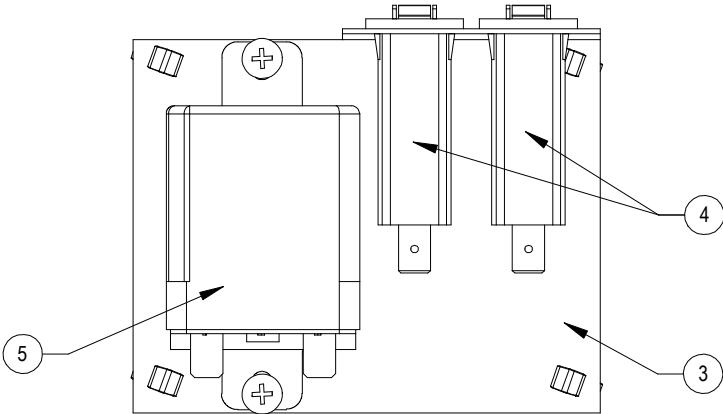
BLOWER ASSEMBLY COMPONENTS

| Drawing No. | Part No. | Description | 900-380-001 | 900-381-001 | 900-382-001 | 900-382-002 |
|-------------|-----------------|-------------------------------|-------------|-------------|-------------|-------------|
| 1 | 5152-096 | Blower Wheel | X | X | | |
| 1 | 5152-011 | Blower Wheel | | | X | X |
| 2 | 5152-072 | Blower Wheel | X | X | | |
| 2 | 5152-012 | Blower Wheel | | | X | X |
| 3 | 8105-075-0198BX | 1/3 HP Programmed Motor | X | | | |
| 3 | 8106-073-0199BX | 1/2 HP Programmed Motor | | X | | |
| 3 | 8107-032-0200BX | 3/4 HP Programmed Motor | | | X | |
| 3 | 8107-032-0201BX | 3/4 HP Programmed Motor | | | | X |
| 4 | C8105-075-0198 | Programmed Motor Control Only | X | | | |
| 4 | C8106-073-0199 | Programmed Motor Control Only | | X | | |
| 4 | C8107-032-0200 | Programmed Motor Control Only | | | X | |
| 4 | C8107-032-0201 | Programmed Motor Control Only | | | | X |
| 5 | 113-380 | Blower Motor Control Bracket | X | X | X | X |
| 6 | 8200-040 | Dual Motor Mount | X | X | X | X |
| 7 | 5451-011 | Grommet | 6 | 6 | 6 | 6 |
| 8 | 165-572 | Blower Support Channel | 2 | 2 | 2 | 2 |
| 9 | 104-980 | Blower Angle | 4 | 4 | 4 | 4 |
| 10 | 151-117 | Blower Housing | 2 | 2 | | |
| 10 | 151-101 | Blower Housing | | | 2 | 2 |
| 11 | 144-167 | Diffuser | 2 | 2 | | |
| 11 | 144-166 | Diffuser | | | 2 | 2 |
| 12 | 8611-099 | LTF 7 Fitting | X | X | X | X |
| 13 | 8408-040 | Inlet Thermistor | X | X | X | X |
| 14 | 142-234 | Sensor Plate | X | X | X | X |

PUMP MODULE COMPONENTS



PUMP ASSEMBLY



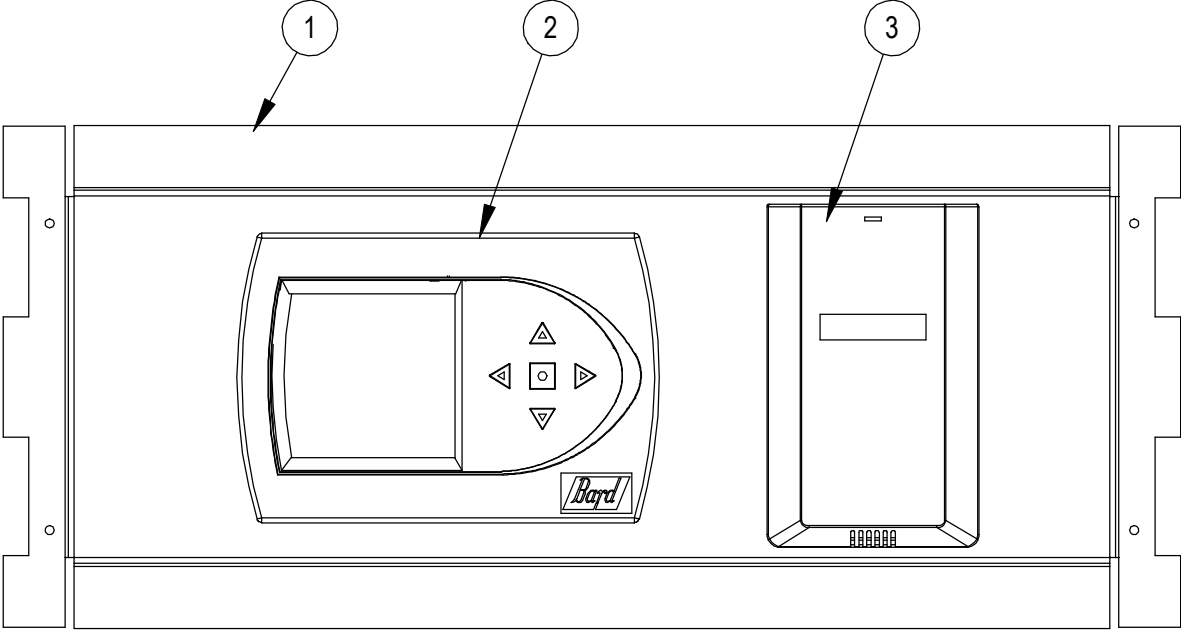
RELAY ASSEMBLY

SEXP-574

PUMP MODULE COMPONENTS

| Drawing No. | Part No. | Description | QW2S2DA, -DB, -DC | QW3S2DA, -DB, -DC | QW4S2DA, -DB, -DC | QW5S2DA, -DB, -DC |
|-------------|----------|-----------------------------|-------------------|-------------------|-------------------|-------------------|
| 1 | 8300-008 | Circulating Pump UPS15-42F | X | X | | |
| 1 | 8300-009 | Circulating Pump UPS26-99FC | | | X | X |
| 2 | 141-346 | Water Pump Bracket | X | X | X | X |
| 3 | 113-399 | Pump Relay Bracket | X | X | X | X |
| 4 | 8614-036 | Mini Circuit Breaker 3 Amp | 2 | 2 | 2 | 2 |
| 5 | 8201-048 | Relay DPDT | X | X | X | X |

OPTIONAL CLIMATE CONTROLS



SEXP-560

OPTIONAL CLIMATE CONTROLS

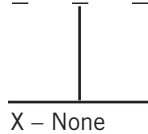
| Drawing No. | Part No. | Description | ALL UNITS | | | |
|-------------|------------|--|-----------|----------|----------|----------|
| | | | Option X | Option D | Option H | Option K |
| 1 | S127-313-* | Thermostat Plate | X | | | |
| 1 | S127-308-* | Thermostat Plate | | X | | |
| 1 | S127-372-* | Thermostat Plate | | | X | |
| 1 | S127-409-* | CO ₂ Plate | | | | X |
| 2 | 8403-060 | Electronic/Programmable Manual/Auto Changeover | | X | X | |
| 3 | 8403-067 | CO ₂ Sensor with Relay | | | X | X |
| NS | 4115-100 | Wiring Diagram | | X | | |
| NS | 4115-101 | Wiring Diagram | | | X | |
| NS | 4115-102 | Wiring Diagram | X | | | |
| NS | 4115-105 | Wiring Diagram | | | | X |
| NS | 8607-021 | Terminal Strip 8 Terminal | X | | | |
| NS | 8607-029 | Terminal Strip | X | | | X |
| NS | 3000-1332 | Wire Assembly Thermostat Connection | X | | | X |
| NS | 3000-1333 | Wire Assembly CO ₂ Control Connection | X | | | |
| NS | 3000-1334 | Wire Assembly Thermostat Connection | | X | X | |
| NS | 3000-1335 | Wire Assembly CO ₂ Control Connection | | | X | X |

* Exterior cabinet parts are manufactured with various paint color options. To ensure the proper paint color is received, include the complete model number and serial number of the unit for which parts are being ordered.

NS – Not Shown

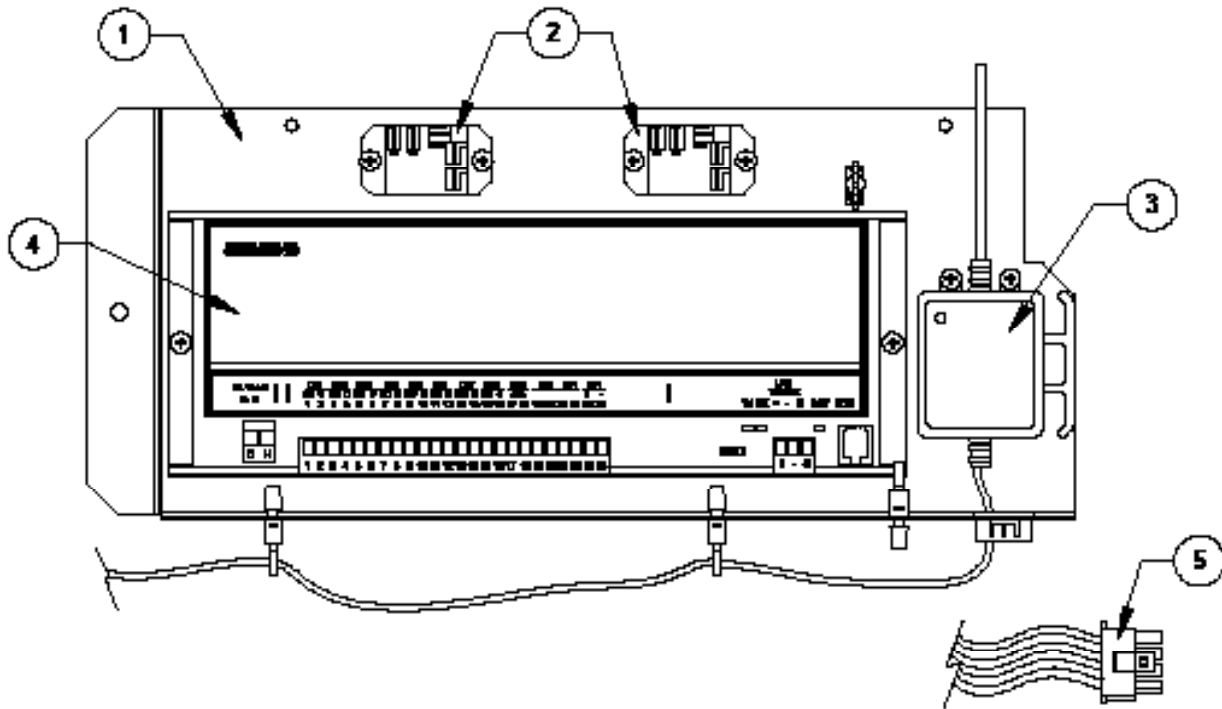
CLIMATE CONTROL OPTION NOMENCLATURE AS SHOWN IN UNIT MODEL NUMBER

QW 3 S 3 D A 02 X X X X X X



- D – Electronic, programmable, manual changeover
- H – Electronic, programmable, manual/auto changeover, CO₂ Control
- K – CO₂ Control with remote thermostat connection

OPTIONAL CLIMATE CONTROLS

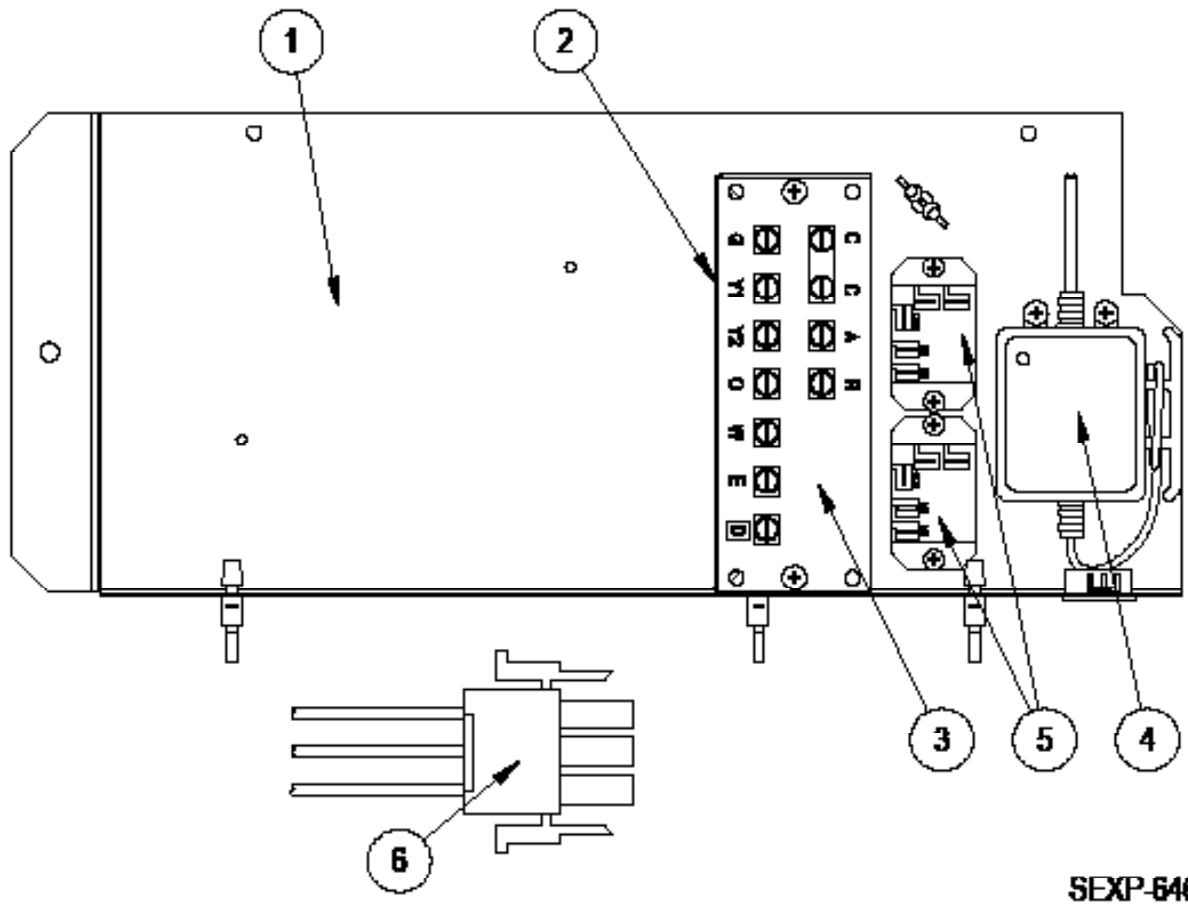


SEXP-638

OPTIONAL CLIMATE CONTROLS

| Drawing No. | Part No. | Description | Option S |
|--------------------|-----------------|------------------------------|-----------------|
| 1 | 117-325 | Control Panel | X |
| 2 | 8201-130 | Relay, SPDT, Pilot Duty | 2 |
| 3 | S910-1820 | Condensate Overflow Assembly | X |
| 4 | 8403-068 | Siemens DDC Interface | X |
| 5 | 3000-1414 | Wire Harness | X |
| NS | 4115-106 | Wiring Diagram | X |
| NS | 133-122 | Control Panel Cover | X |

OPTIONAL CLIMATE CONTROLS

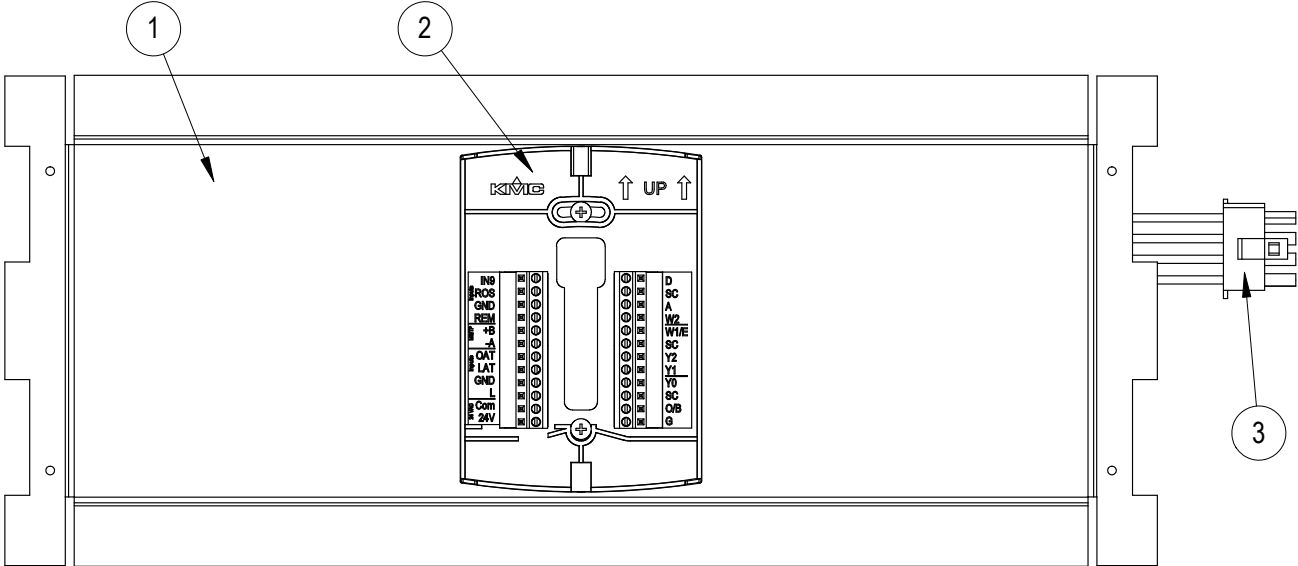


SEXP-646

OPTIONAL CLIMATE CONTROLS

| Drawing No. | Part No. | Description | Option C |
|-------------|-----------|------------------------------|----------|
| 1 | 117-328 | Control Panel | X |
| 2 | 117-329 | Low Voltage Control Box | X |
| 3 | 8607-029 | Low Voltage Terminal Strip | X |
| 4 | 910-1822 | Condensate Overflow Assembly | X |
| 5 | 8201-130 | Relay, SPDT Pilot Duty | 2 |
| 6 | 3000-1415 | Wire Harness | X |
| NS | 4115-107 | Wiring Diagram | X |
| NS | 133-222 | Control Panel Cover | X |

OPTIONAL CLIMATE CONTROLS

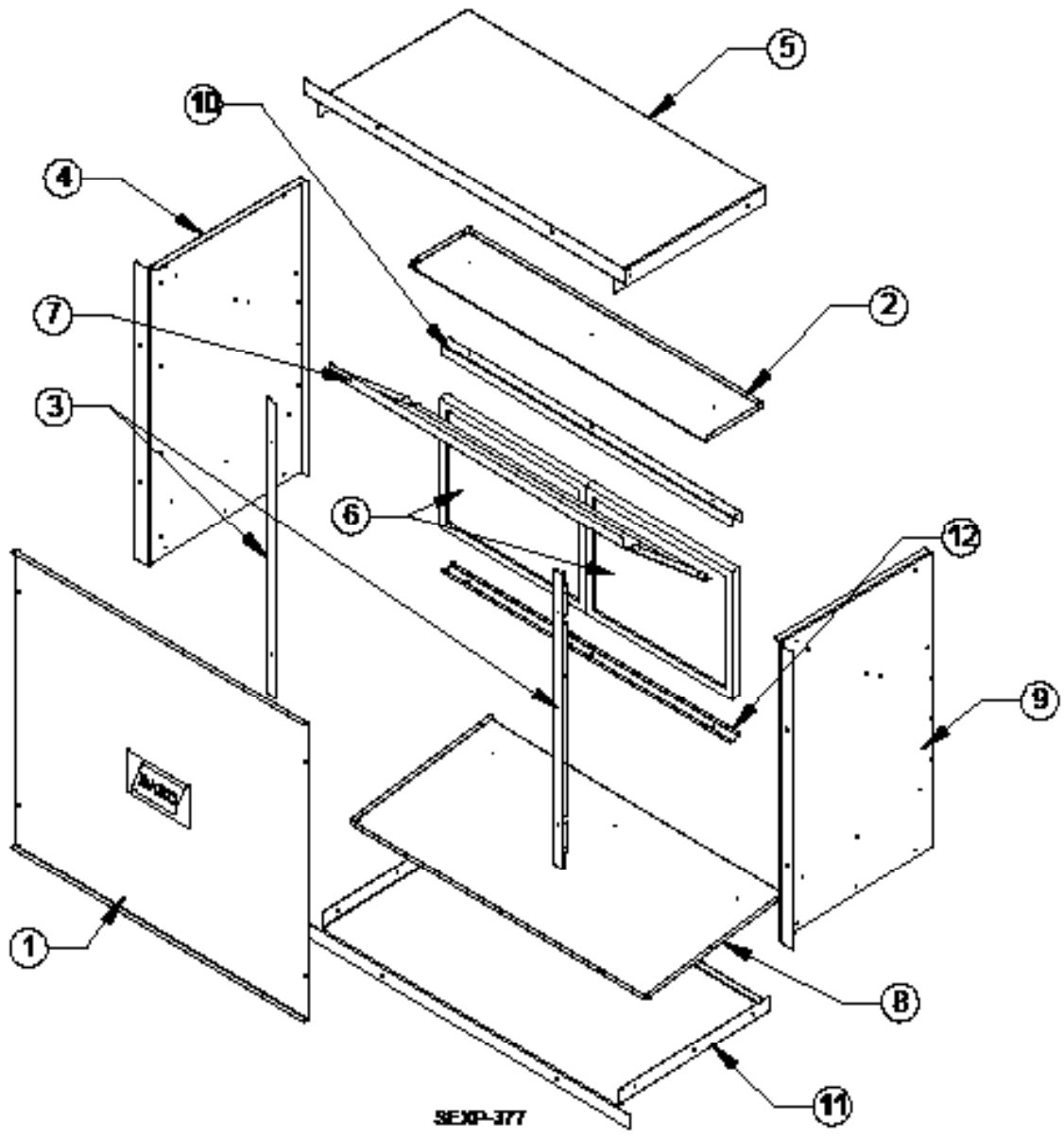


SEXP-1042

OPTIONAL CLIMATE CONTROLS

| Drawing No. | Part No. | Description | Option 1 | Option 2 | Option 3 | Option 4 |
|-------------|-------------|---|----------|----------|----------|----------|
| 1 | 127-427-* | Thermostat Mounting Plate | X | X | X | X |
| 2 | CS9B-THOA | CompleteStat TEMP/HUM/OCC | X | | | |
| 2 | CS9B-THOCA | CompleteStat TEMP/HUM/OCC/CO2 | | X | | |
| 2 | CS9BE-THOA | CompleteStat TEMP/HUM/OCC with BACnet | | | X | |
| 2 | CS9BE-THOCA | CompleteStat TEMP/HUM/OCC/CO2 with BACnet | | | | X |
| 3 | 3000-1704 | Wire Assembly | X | X | X | X |

WALL SLEEVE CABINET COMPONENTS



WALL SLEEVE CABINET COMPONENTS

| Drawing No. | Part No. | Description | QWVS42 |
|-------------|------------|-----------------------|--------|
| 1 | 142-076 | Cover | X |
| 2 | 121-350-X | Top Partition | X |
| 3 | 105-1103-X | Angle | 2 |
| 4 | 110-073-X | Left Side | X |
| 5 | 110-074-X | Top | X |
| 6 | 7003-056 | Mist Eliminator | 2 |
| 7 | 111-076-X | Air Deflector | X |
| 8 | 121-349-X | Partition | X |
| 9 | 110-072-X | Right Side | X |
| 10 | 165-566-X | Upper Support Channel | X |
| 11 | 110-075-X | Base | X |
| 12 | 165-567-X | Lower Support Channel | X |