

---

# REPLACEMENT PARTS MANUAL

---

## Wall Mounted Packaged Heat Pump

Models:

T30S2-A    T30S2DA  
T30S2-B    T30S2DB  
T30S2-C    T30S2DC

---

### General Notes

- Revised and/or additional pages may be issued from time to time.
- A complete and current manual consists of pages shown in the following contents section.

### Important

- Contact the installing and/or local Bard distributor for all parts requirements. Be sure to have the complete model and serial number available from the unit rating plates.

### Contents

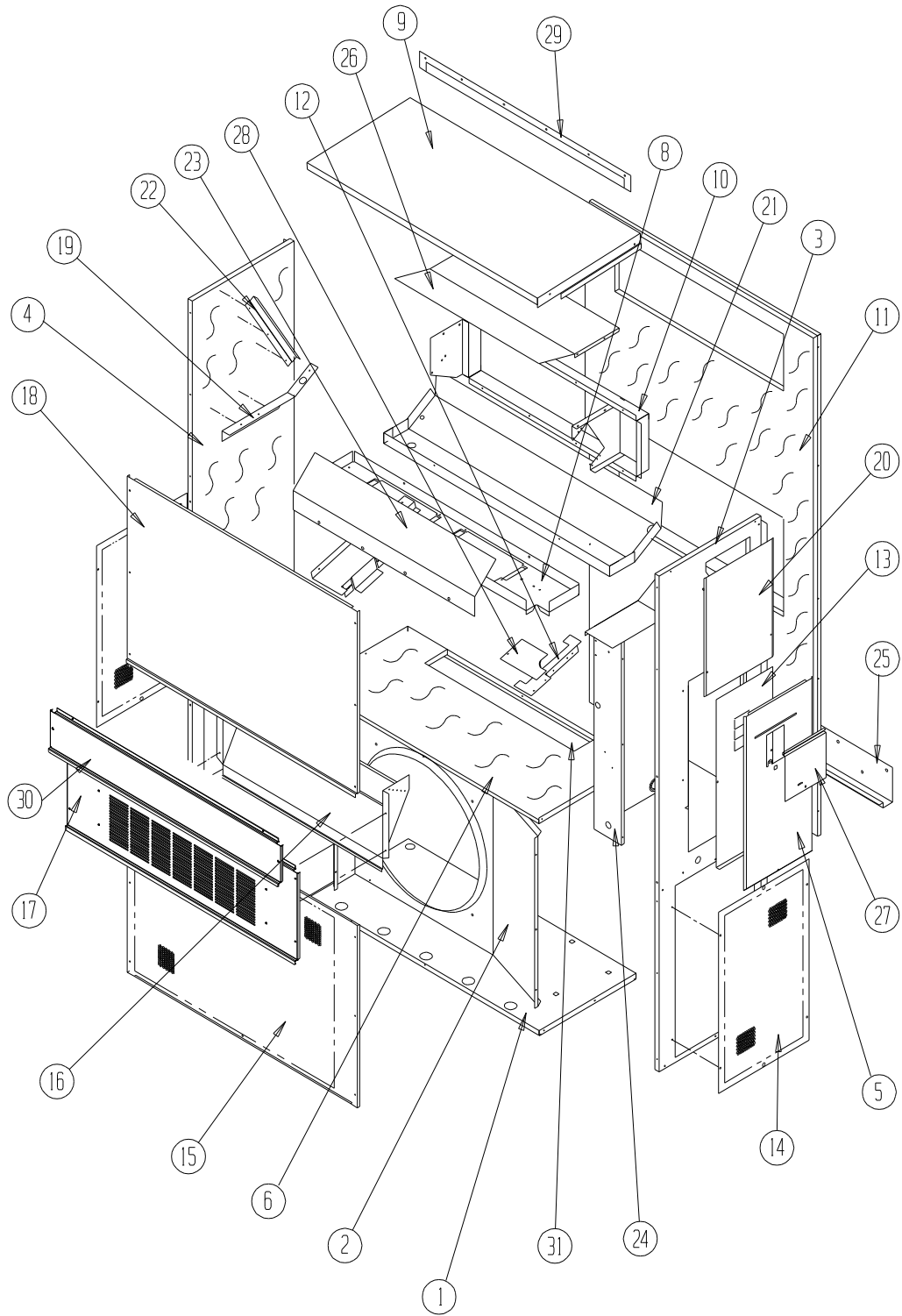
<u>Description</u>	<u>Page</u>
Cabinet Components	
♦ Exploded View .....	2
♦ Usage List .....	3
Functional Components	
♦ Exploded View .....	4
♦ Usage List .....	5
♦ Usage List – Dehum. Models.....	6
Control Panel	
♦ Layout View .....	8
♦ Usage List .....	9
Control Panel – Dehum. Models	
♦ Layout View .....	10
♦ Usage List .....	11
Blower Assembly	
♦ Exploded View .....	12
♦ Usage List .....	12



Bard Manufacturing Company, Inc.  
Bryan, Ohio 43506  
www.bardhvac.com

Manual: 2110-1552C  
Supersedes: 2110-1552B  
Date: 8-6-21

# CABINET COMPONENTS



SEXP-514 A

# CABINET COMPONENTS

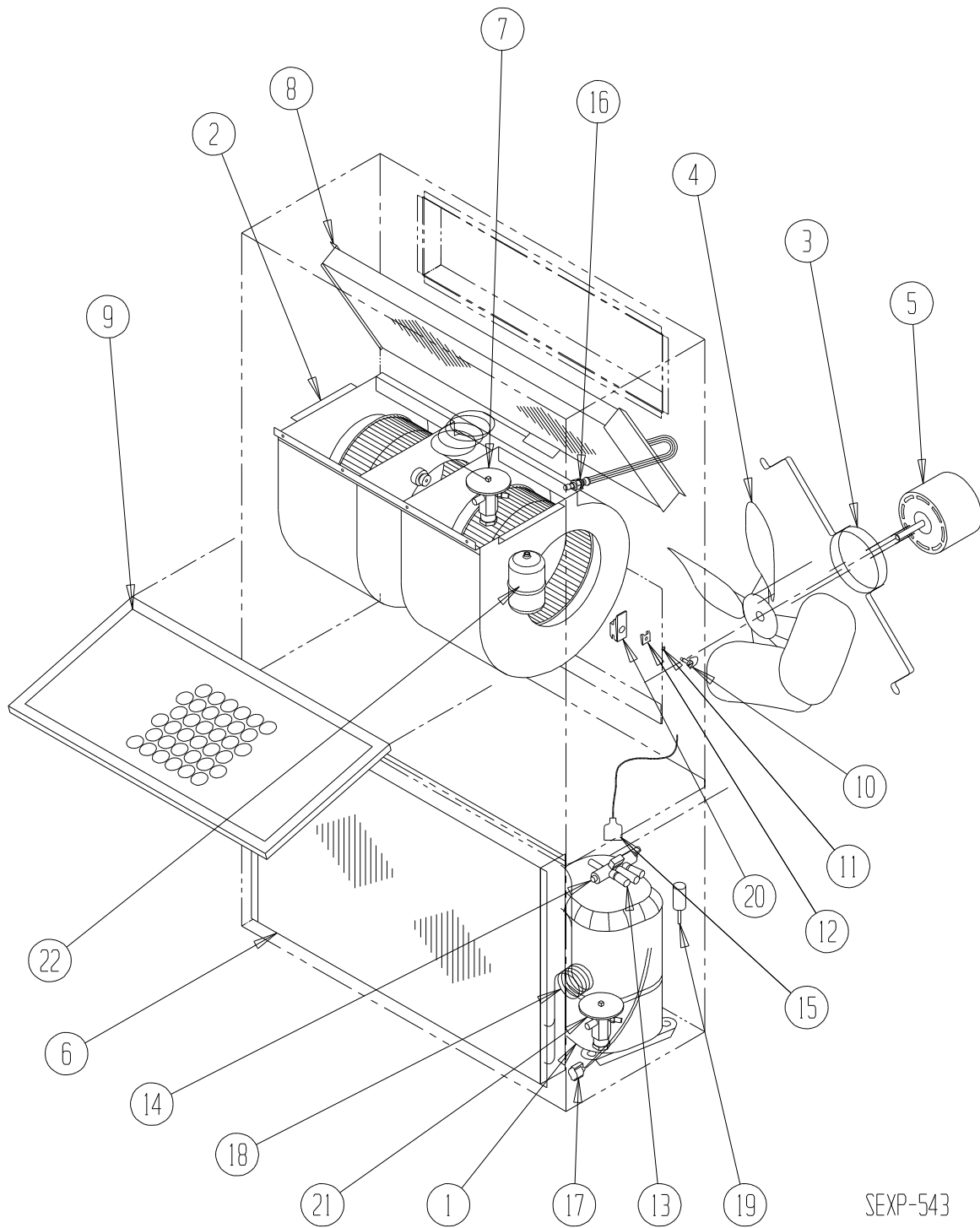
Dwg. No.	Part Number	Description	T30S2-A, -B	T30S2-C	T30S2DA, DB	T30S2DC
1	S127-199	Lower Base	X	X	X	X
2	125-022	Fan Shroud	X	X	X	X
2	125-057 ③	Fan Shroud	X	X	X	X
3	S500-228.* ①	Right Side	X	X	X	X
3	S500-441.* ②	Right Side	X	X	X	X
3	S500-527.* ③	Right Side	X	X	X	X
3	S500-954.* ④	Right Side	X	X	X	X
4	S500-229.* ①	Left Side	X	X	X	X
4	S500-442.* ②	Left Side	X	X	X	X
4	S500-528.* ③	Left Side	X	X	X	X
4	S500-953.* ④	Left Side	X	X	X	X
5	S533-109.* ①	Control Panel Cover (Outer)	X	X	X	X
5	S533-182.* ②	Control Panel Cover (Outer)	X	X	X	X
5	S533-197.* ③	Control Panel Cover (Outer)	X	X	X	X
6	S521X384	Condenser Partition	X	X	X	X
6	S521X531 ④	Condenser Partition	X	X	X	X
8	121X182	Blower Partition	X	X	X	X
9	S506-277.* ①	Top	X	X	X	X
9	S506-245.* ②	Top	X	X	X	X
9	S506-275.* ③	Top	X	X	X	X
9	S506-365.* ④	Top	X	X	X	X
10	S111X030	Outlet Air Frame Assembly	X	X	X	X
11	S508-088	Back	X	X	X	X
11	S508-185 ②	Back	X	X	X	X
11	S508-222 ③	Back	X	X	X	X
11	S508-357 ④	Back	X	X	X	X
12	113X195	Filter Bracket	2	2	2	2
13	S132-104	Control Panel Cover (Inner)	X		X	
13	S132-345	Control Panel Cover (Inner)		X		X
14	118-056.* ①	Side Grille	2	2	2	2
14	118-060.* ②	Side Grille	2	2	2	2
14	118-067.* ③	Side Grille	2	2	2	2
15	118-059.* ①	Condenser Grille	X	X	X	X
15	118-061.* ②	Condenser Grille	X	X	X	X
15	118-066.* ③	Condenser Grille	X	X	X	X
16	BFAD-3	Fresh Air Damper Assembly	X	X	X	X
17	S552-444.* ①	Service Door	X	X	X	X
17	S552-446.* ②	Service Door	X	X	X	X
17	S552-458.* ③	Service Door	X	X	X	X
18	S514-160.* ①	Upper Front	X	X	X	X
18	S514-161.* ②	Upper Front	X	X	X	X
18	S514-166.* ③	Upper Front	X	X	X	X
18	S514-314.* ④	Upper Front	X	X	X	X
19	105X850	Left Side Support	X	X	X	X
20	S143-034.* ①	Right Side Cover Plate (Outer)	X	X	X	X
20	S143-103.* ②	Right Side Cover Plate (Outer)	X	X	X	X
20	S143-127.* ③	Right Side Cover Plate (Outer)	X	X	X	X
21	S123-127	Drain Pan	X	X	X	X
22	147-044	Left Evaporator Support	X	X	X	X
23	135-124	Air Baffle Shield	X	X	X	X
24	Control Panel Assembly	See Control Panel Assembly Drawing and Parts List Assembly	X	X	X	X
25	113-140	Bottom Mounting Bracket	X	X	X	X
26	135X123	Heat Shield	X	X	X	X
27	S153-218.* ①	Disconnect Access Door	X	X	X	X
27	S153-387.* ②	Disconnect Access Door	X	X	X	X
27	S153-405.* ③	Disconnect Access Door	X	X	X	X
28	137-259	Fill Plate	X	X	X	X
29	113-149.* ①	Top Rain Flashing	X	X	X	X
29	113-360.* ③	Top Rain Flashing	X	X	X	X
30	S552-444.* ①	Filter Door Assembly	X	X	X	X
30	S552-447.* ②	Filter Door Assembly	X	X	X	X
30	S553-459.* ③	Filter Door Assembly	X	X	X	X
30	S552-658.* ④	Filter Door Assembly	X	X	X	X
31	S536-498	Condenser Part. Blank-Off Plate	X	X	X	X
31	S536-802.* ④	Condenser Part. Blank-Off Plate	X	X	X	X
NS	141-357	Compressor Mounting Plate	X	X	X	X

① Exterior cabinet parts are manufactured with various paint color options. To ensure the proper paint color is received, please reference the following codes:

Beige -X White -1 Buckeye Gray -4  
Desert Brown -5 Dark Bronze -8

② Aluminum A ③ Stainless Steel S ④ Non Fiberglass Insulation Option NS = Not Shown

# FUNCTIONAL COMPONENTS



SEXP-543

## FUNCTIONAL COMPONENTS

Dwg. No.	Part Number	Description	T30S2-A	T30S2-B	T30S2-C
1	8000-388	Compressor	X		
1	8000-389	Compressor		X	
1	8000-390	Compressor			X
2	S900-316-003	Blower Assembly	X	X	X
3	8200-001	Fan Motor Mount	X	X	X
4	5151-045	Fan Blade	X	X	X
5	8105-074	Condenser Motor	X	X	X
6	5051-112BX	Condenser Coil	X	X	X
7	5651-231	Cooling TXV	X	X	X
8	5060-163BX	Evaporator Coil	X	X	X
9	7004-019	Air Filter 1" Throw-Away	X	X	X
9	7004-062	Air Filter 2" Pleated MERV 13 ①	X	X	X
9	7004-048	Air Filter 2" Pleated MERV 11 ①	X	X	X
9	7004-026	Air Filter 2" Pleated MERV 8 ①	X	X	X
10	1171-022	1/4" Turn Fastener	X	X	X
11	1171-024	1/4" Turn Retainer	X	X	X
12	1171-023	1/4" Receptacle	X	X	X
13	5650-039	Reversing Valve with 24V Solenoid Coil	X	X	X
14	5650-042	Rev. Valve Solenoid, Red Casing (Ranco)	X	X	X
14	5650-046	Rev. Valve Solenoid, Black Casing (San Hua)	X	X	X
15	5650-037	Molded Plug 36" Lead	X	X	X
16	800-0392	Cooling Distributor Assembly w/Orifice	X	X	X
17	8620-224	Defrost Sensor	X	X	X
18	800-0403	Heating Distributor	X	X	X
19	1804-0462	High Pressure Switch (Flare) ①	X	X	X
21	5651-177	Heating TXV	X	X	X
22	5201-009	Filter Drier (Bi-Direct)	X	X	X
NS	S1804-0107	Low Pressure Switch (Flare) ①	X	X	X
NS	CMH-20	Low Ambient Control (Flare) ①	X	X	
NS	CMH-21	Low Ambient Control (Flare) ①			X
NS	3000-1276	Molded Compressor Plug	X		
NS	3000-1223	Molded Compressor Plug Low Voltage	X	X	X
NS	8002-012	Sound Cover	X	X	X
NS	6031-009	Coremax Valve Core	X	X	X
NS	8407-058	Stepdown Transformer 480V/240V 1.0KVA			X

NS – Not Shown

① – Optional

# FUNCTIONAL COMPONENTS – DEHUM. MODELS

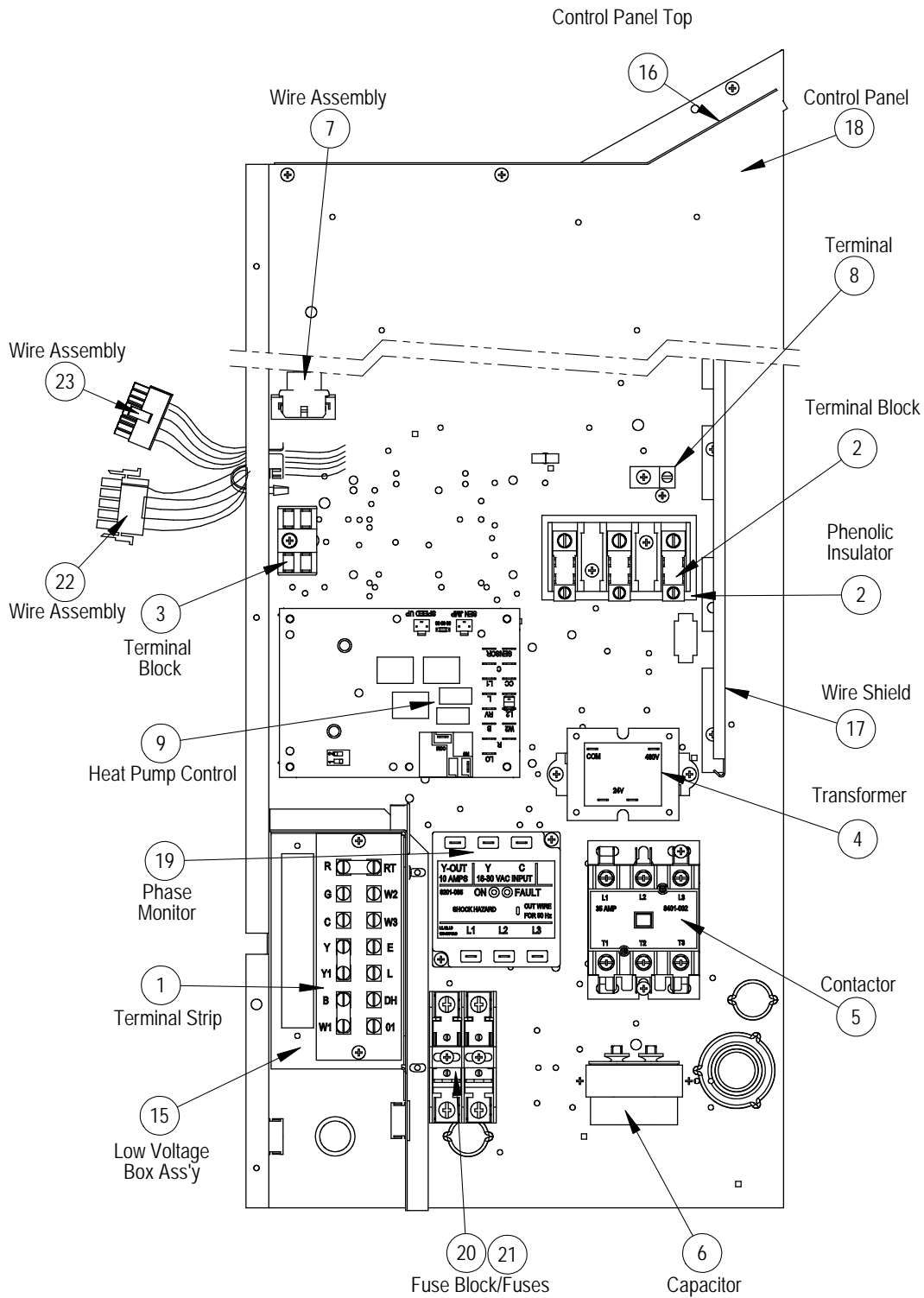
Dwg. No.	Part Number	Description	T30S2DA	T30S2DB	T30S2DC
1	8000-388	Compressor	X		
1	8000-389	Compressor		X	
1	8000-390	Compressor			X
2	S900-316-003	Blower Assembly	X	X	X
3	8200-001	Fan Motor Mount	X	X	X
4	5151-045	Fan Blade	X	X	X
5	8105-074	Condenser Motor	X	X	X
6	5051-112BX	Condenser Coil	X	X	X
7	5651-177	Cooling TXV	X	X	X
8	917-0184BX	Evaporator Coil Assembly	X	X	X
9	7004-019	Air Filter 1" Throw-Away	X	X	X
9	7004-048	Air Filter 2" Pleated MERV 11 ①	X	X	X
9	7004-026	Air Filter 2" Pleated MERV 8 ①	X	X	X
10	1171-022	1/4" Turn Fastener	X	X	X
11	1171-024	1/4" Turn Retainer	X	X	X
12	1171-023	1/4" Receptacle	X	X	X
13	5650-039	Reversing Valve with 24V Solenoid Coil	X	X	X
14	5650-042	Rev. Valve Solenoid, Red Casing (Ranco)	X	X	X
14	5650-046	Rev. Valve Solenoid, Black Casing (San Hua)	X	X	X
15	5650-037	Molded Plug 36" Lead	2	2	2
16	800-0392	Cooling Distributor	X	X	X
17	8620-224	Defrost Sensor	X	X	X
18	800-0403	Heating Distributor	X	X	X
19	1804-0462	High Pressure Switch (Flare) ①	X	X	X
21	5651-177	Heating TXV	X	X	X
22	5201-009	Filter Drier (Bi-Direct)	X	X	X
NS	S1804-0107	Low Pressure Switch (Flare) ①	X	X	X
NS	8408-038	Freeze Stat	X	X	X
NS	CMH-20	Low Ambient Control (Flare) ①	X	X	
NS	CMH-21	Low Ambient Control (Flare) ①			X
NS	3000-1244	Molded Compressor Plug		X	X
NS	3000-1276	Molded Compressor Plug	X		
NS	5625-117	Flow Control (Orifice)	X	X	X
NS	5650-045	3-Way Valve with 24V Solenoid Coil	X	X	X
NS	3000-1223	Molded Compressor Plug Low Voltage	X	X	X
NS	8002-012	Sound Cover	X	X	X
NS	6031-009	Coremax Valve Core	X	X	X
NS	8407-058	Stepdown Transformer 480V/240V 1.0KVA			X

NS – Not Shown

① – Optional

*This page intentionally left blank.*

# CONTROL PANEL



SEXP-993



# CONTROL PANEL

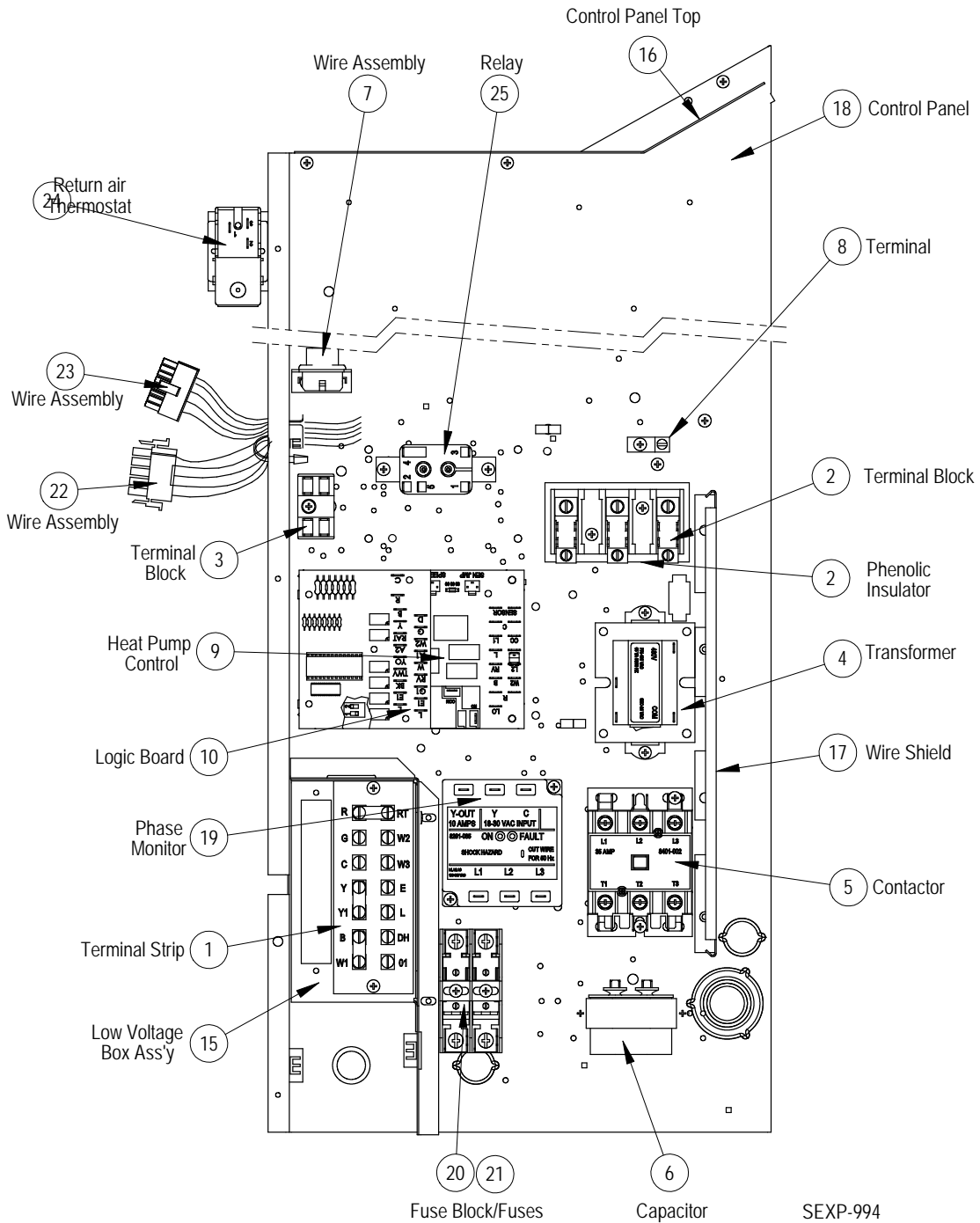
Dwg. No.	Part Number	Description	T30S2-A	T30S2-B	T30S2-C
1	8607-031	Low Voltage Terminal Strip	X	X	X
2	8607-013	Terminal Block 2 Pole	X		
2	8607-014	Terminal Block 3 Pole		X	X
2	8607-015	Phenolic Insulator			X
3	8607-017	Terminal Block			X
4	8407-068	Transformer	X	X	
4	8407-042	Transformer			X
5	S8401-006	Compressor Contactor	X		
5	S8401-002	Compressor Contactor		X	X
6	8552-035	Compressor Capacitor	X		
7	3000-1379	6 Pin Connector	X	X	X
8	8611-006	Ground Terminal	X	X	X
9	8620-223	Heat Pump Control Board w/Defrost Sensor	X	X	X
12	8201-130	Outdoor Fan Relay			X
15	117X138	Low Voltage Box	X	X	X
16	117X137	Control Panel Top	X	X	X
17	135-122	Wire Shield	X	X	X
18	117X123	Control Panel	X	X	X
19	8201-126	Phase Monitor		X	X
20	8614-041	Fuse Block			X
21	8614-046	Fuse			2
22	3000-1356	Blower Power Harness	X	X	X
23	3000-1378	Blower Control Harness	X	X	X
NS	8551-004	Start Device ① (PTCR)	X		
NS	8201-130	LAC Bypass Relay ①	X	X	X
NS	4096-172	Wiring Diagram	X		
NS	4096-272	Wiring Diagram		X	
NS	4096-372	Wiring Diagram			X
NS	8615-038	Circuit Breaker 35A 2 Pole (OZ) ②	X		
NS	8615-054	Circuit Breaker 20A 3 Pole (OZ) ②		X	
NS	8615-051	Circuit Breaker 25A 3 Pole (OZ) ②			X
NS	S8615-101	Rotary Disconnect (OZ) ②			X

① Optional on these models.

② Circuit breakers listed are for units without electric heat "OZ" models. Hot gas bypass models not available without electric heat. See Heater Replacement Parts Manual for units with electric heat.

NS = Not shown

# CONTROL PANEL – DEHUM. MODELS



SEXP-994

## CONTROL PANEL – DEHUM. MODELS

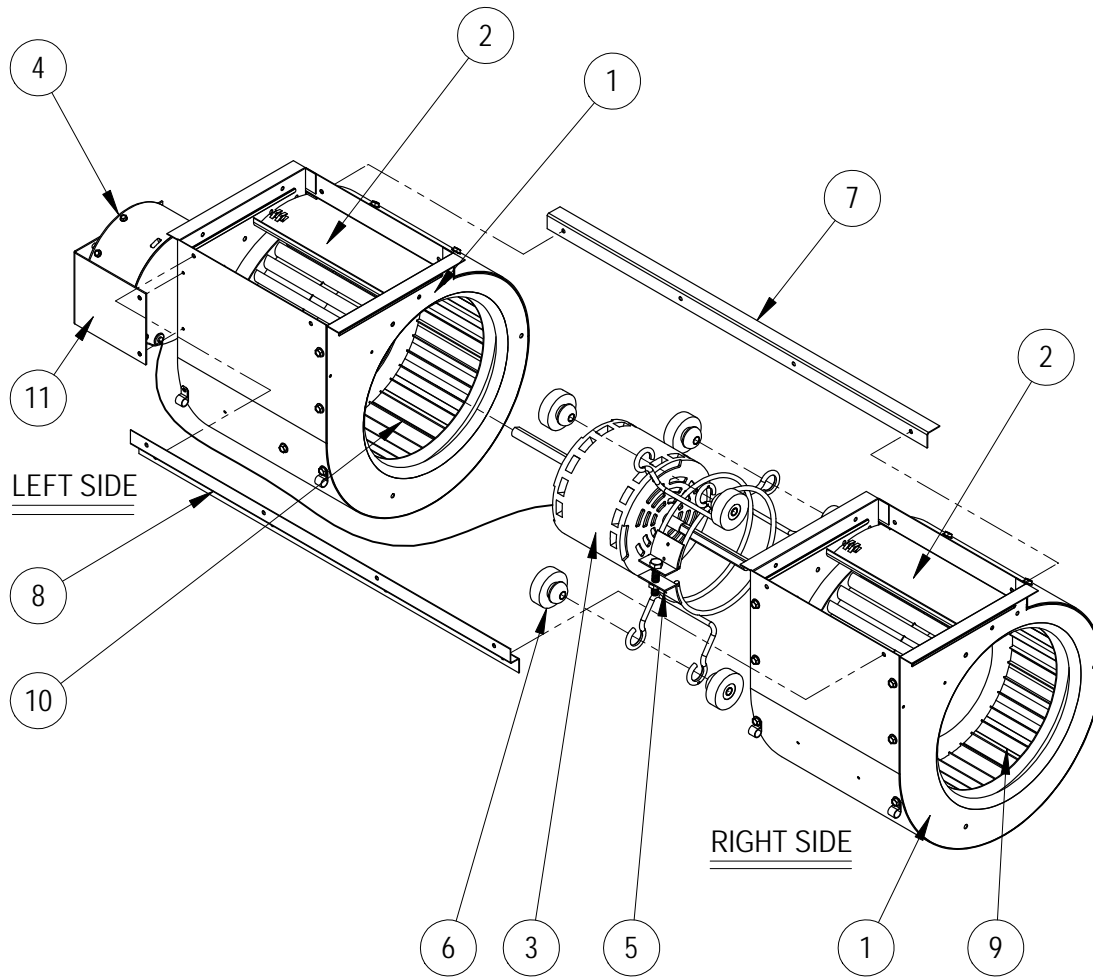
Dwg. No.	Part Number	Description	T30S2DA	T30S2DB	T30S2DC
1	8607-031	Low Voltage Terminal Strip	X	X	X
2	8607-013	Terminal Block 2 Pole	X		
2	8607-014	Terminal Block 3 Pole		X	X
2	8607-015	Phenolic Insulator			X
3	8607-017	Terminal Block	X	X	X
4	8407-065	Transformer	X	X	
4	8407-050	Transformer			X
5	S8401-006	Compressor Contactor	X		
5	S8401-002	Compressor Contactor		X	X
6	8552-035	Compressor Capacitor	X		
7	3000-1377	6 Pin Connector	X	X	X
8	8611-006	Ground Terminal	X	X	X
9	8620-223	Heat Pump Control Board w/Defrost Sensor	X	X	X
10	8201-113	Dehumidification Logic Board	X	X	X
12	8201-130	Outdoor Fan Relay			X
15	117X138	Low Voltage Box	X	X	X
16	117X137	Control Panel Top	X	X	X
17	135-122	Wire Shield	X	X	X
18	117X123	Control Panel	X	X	X
19	8201-126	Phase Monitor		X	X
20	8614-041	Fuse Block			X
21	8614-046	Fuse			2
22	3000-1356	Blower Power Harness	X	X	X
23	3000-1378	Blower Control Harness	X	X	X
24	8408-037	Return Air Thermostat	X	X	X
25	8201-062	Relay	X	X	X
NS	8551-004	Start Device ① (PTCR)	X		
NS	4096-173	Wiring Diagram	X		
NS	4096-273	Wiring Diagram		X	
NS	4096-373	Wiring Diagram			X
NS	8615-038	Circuit Breaker 35A 2 Pole (OZ) ②	X		
NS	8615-054	Circuit Breaker 20A 3 Pole (OZ) ②		X	
NS	8615-051	Circuit Breaker 25A 3 Pole (OZ) ②			X
NS	S8615-101	Rotary Disconnect (OZ) ②			X

① Optional on these models.

② Circuit breakers listed are for units without electric heat "OZ" models. Hot gas bypass models not available without electric heat. See Heater Replacement Parts Manual for units with electric heat.

NS = Not shown

# BLOWER ASSEMBLY



SEXP-583 A

S900-316-003

Dwg. No.	Part Number	Description	
1	151-111	Blower Housing	2
2	144-174	Diffuser	2
3	S8105-060-0108A	Blower Motor 1/3 HP ECM Motor w/Programmed Control	X
4	C8105-060-0108A	Programmed Motor Control Only	X
5	8200-031	Motor Mount	X
6	5451-011	Grommets	6
7	105-870	Back Brace	X
8	103-401	Front Brace	X
9	5152-090	Blower Wheel	X
10	5152-091	Blower Wheel	X
11	113-637	Blower Motor Control Bracket	X