
REPLACEMENT PARTS MANUAL

Wall Mounted Packaged Heat Pump

Models:

C24H2-A C30H2-A
C24H2-B C30H2-B
C24H2-C C30H2-C

General Notes

- Revised and/or additional pages may be issued from time to time.
- A complete and current manual consists of pages shown in the following contents section.

Important

- Contact the installing and/or local Bard distributor for all parts requirements. Make sure to have the complete model and serial number available from the unit rating plates.

Contents

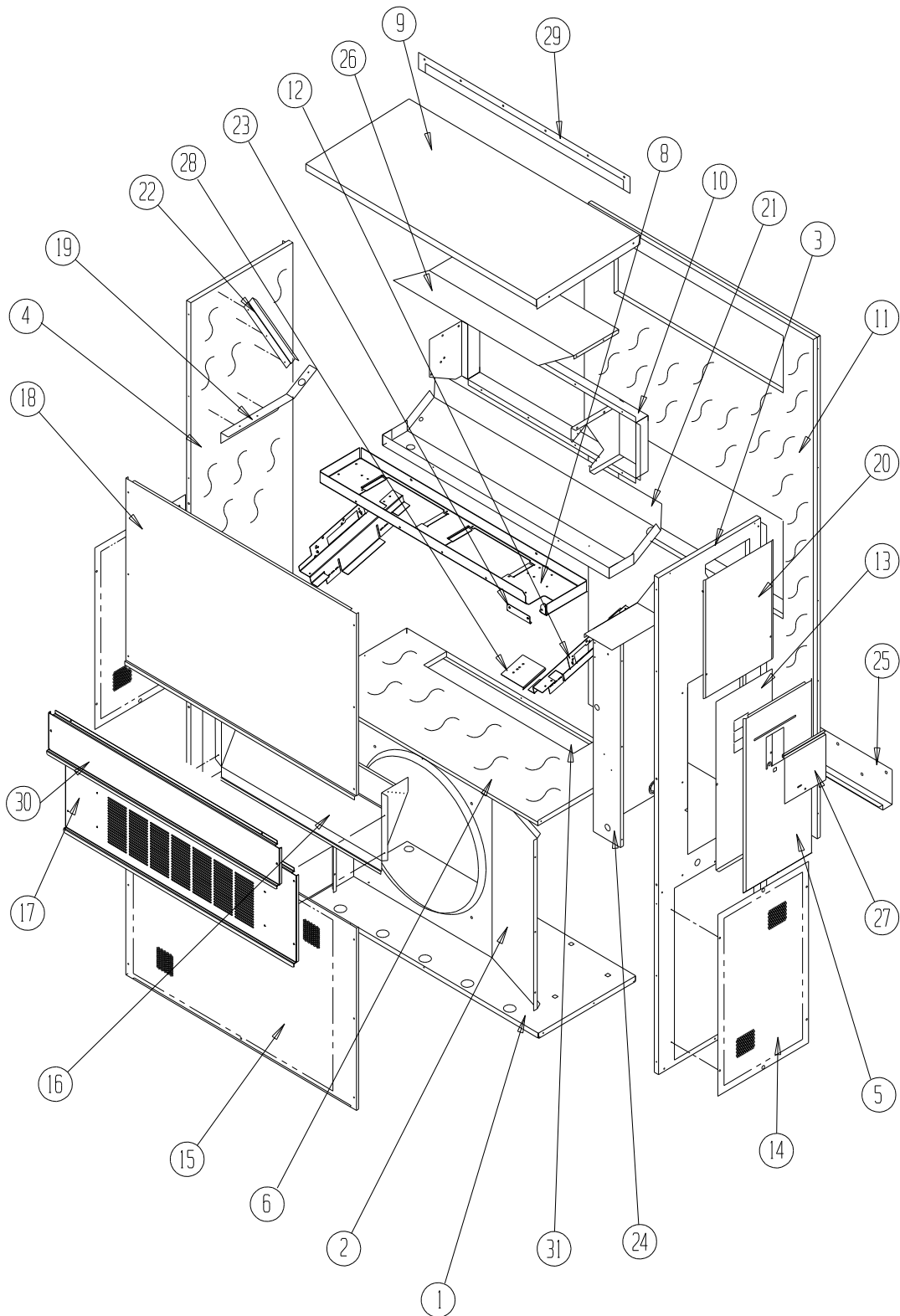
<u>Description</u>	<u>Page</u>
Cabinet Components	
♦ Exploded View	2
♦ Usage List	3
Functional Components	
♦ Exploded View	4
♦ Usage List	5
Control Panel	
♦ Layout View	6
♦ Usage List	7
Blower Assembly	
♦ Exploded View	8
♦ Usage List	8



Bard Manufacturing Company, Inc.
Bryan, Ohio 43506
www.bardhvac.com

Manual: 2110-1551D
Supersedes: 2110-1551C
Date: 9-24-21

CABINET COMPONENTS



SEXP-669

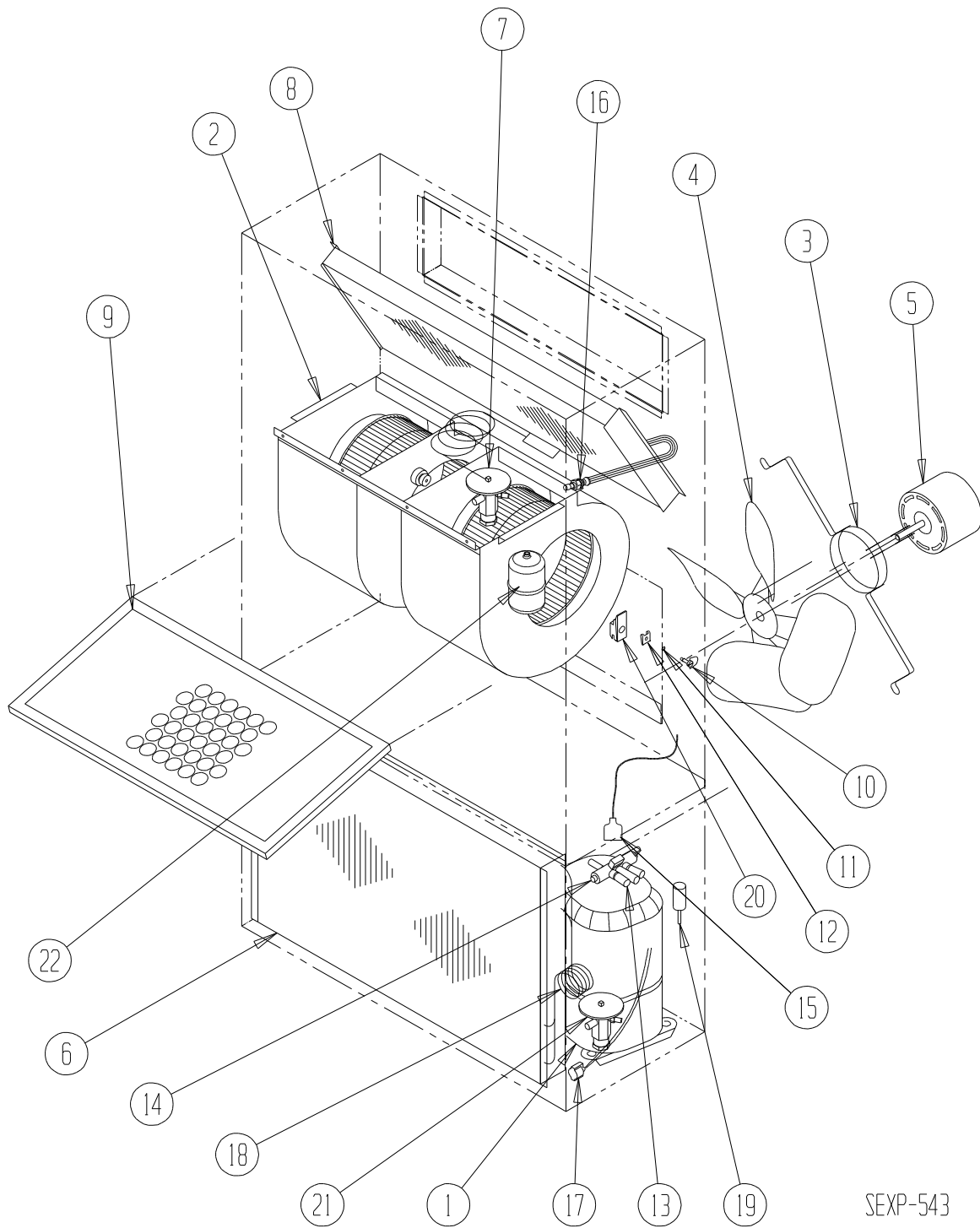
CABINET COMPONENTS

Dwg. No.	Part Number	Description	C24H2-A, -B	C24H2-C	C30H2-A, -B	C30H2-C
1	S127-444	Lower Base	X	X	X	X
1	S127-445 ③	Lower Base	X	X	X	X
2	125-028	Fan Shroud	X	X	X	X
2	125-068 ③	Fan Shroud	X	X	X	X
3	S500-684-* ①	Right Side	X	X	X	X
3	S500-722-* ②	Right Side	X	X	X	X
3	S500-720-* ③	Right Side	X	X	X	X
4	S501-711-* ①	Left Side	X	X	X	X
4	S501-723-* ②	Left Side	X	X	X	X
4	S501-721-* ③	Left Side	X	X	X	X
5	S533-228-* ①	Control Panel Cover (Outer)	X	X	X	X
5	S533-236-* ②	Control Panel Cover (Outer)	X	X	X	X
5	S533-235-* ③	Control Panel Cover (Outer)	X	X	X	X
6	S521X466	Condenser Partition	X	X	X	X
8	121X467	Blower Partition	X	X	X	X
9	S506-308-* ①	Top	X	X	X	X
9	S506-320-* ②	Top	X	X	X	X
9	S506-319-* ③	Top	X	X	X	X
10	S111X030	Outlet Air Frame Assembly	X	X	X	X
11	S508-280	Back	X	X	X	X
11	S508-288 ②	Back	X	X	X	X
11	S508-289 ③	Back	X	X	X	X
12	113X480	Filter Bracket	2	2	2	2
13	S132-104	Control Panel Cover (Inner)	X		X	
13	S132-346	Control Panel Cover (Inner)		X		X
14	118-056-* ①	Side Grille	2	2	2	2
14	118-060-* ②	Side Grille	2	2	2	2
14	118-067-* ③	Side Grille	2	2	2	2
15	118-059-* ①	Condenser Grille	X	X	X	X
15	118-061-* ②	Condenser Grille	X	X	X	X
15	118-066-* ③	Condenser Grille	X	X	X	X
16	BFAD-3	Fresh Air Damper Assembly	X	X	X	X
17	S552-523-* ①	Service Door	X	X	X	X
17	S552-550-* ②	Service Door	X	X	X	X
17	S552-549-* ③	Service Door	X	X	X	X
18	S514-241-* ①	Upper Front	X	X	X	X
18	S514-239-* ②	Upper Front	X	X	X	X
18	S514-238-* ③	Upper Front	X	X	X	X
19	105X850	Left Side Support	X	X	X	X
20	S543-175-* ①	Right Side Cover Plate (Outer)	X	X	X	X
20	S543-184-* ②	Right Side Cover Plate (Outer)	X	X	X	X
20	S543-185-* ③	Right Side Cover Plate (Outer)	X	X	X	X
21	S123-127	Drain Pan	X	X	X	X
21	S123-141	Drain Pan	X	X	X	X
22	147-044	Left Evaporator Support	X	X	X	X
23	105-1302	Grommet Retainer	X	X	X	X
24	Control Panel Assembly	See Control Panel Assembly Drawing and Parts List Assembly	X	X	X	X
25	113-140	Bottom Mounting Bracket	X	X	X	X
26	135X123	Heat Shield	X	X	X	X
27	S553-218-* ①	Disconnect Access Door	X	X	X	X
27	S553-387-* ②	Disconnect Access Door	X	X	X	X
27	S553-405 ③	Disconnect Access Door	X	X	X	X
28	137-259	Fill Plate	X	X	X	X
29	113-149-* ①	Top Rain Flashing	X	X	X	X
29	113-360 ③	Top Rain Flashing	X	X	X	X
30	S553-524-* ①	Filter Door Assembly	X	X	X	X
30	S553-554-* ②	Filter Door Assembly	X	X	X	X
30	S553-553-* ③	Filter Door Assembly	X	X	X	X
31	S536-498-* ①	Condenser Part. Blank-Off Plate	X	X	X	X
NS	141-357	Compressor Mounting Plate	X	X	X	X
NS	111-210	Return Air Frame	X	X	X	X

① Exterior cabinet parts are manufactured with various paint color options. To ensure the proper paint color is received, please reference the following codes:

Beige	-X	White	-1	Buckeye Gray	-4
Desert Brown	-5	Dark Bronze	-8		
② Aluminum	A	③ Stainless Steel	S	NS = Not Shown	

FUNCTIONAL COMPONENTS



SEXP-543

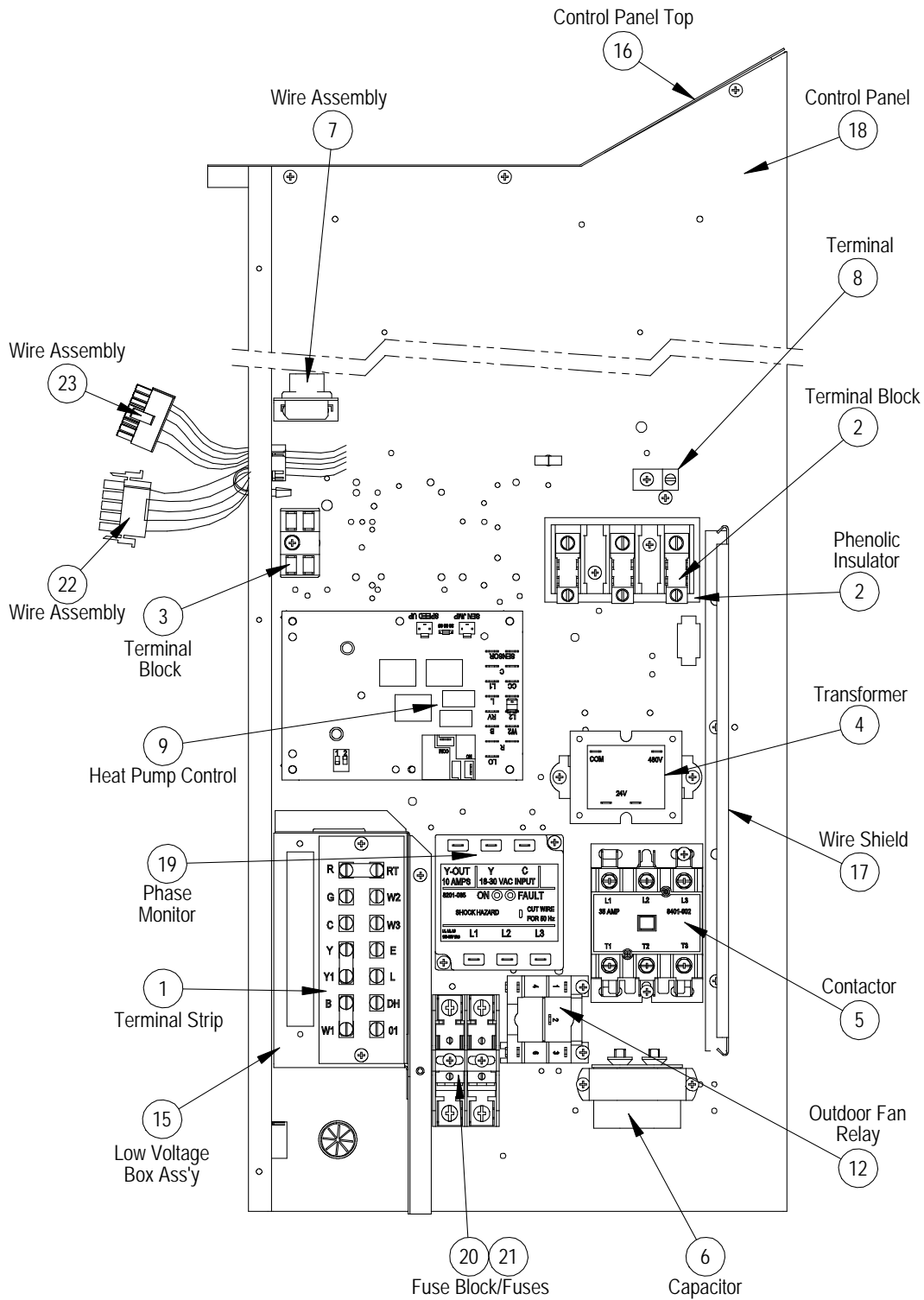
FUNCTIONAL COMPONENTS

Dwg. No.	Part Number	Description	C24H2-A	C24H2-B	C24H2-C	C30H2-A	C30H2-B	C30H2-C
1	8000-394	Compressor	X					
1	8000-396	Compressor		X				
1	8000-398	Compressor			X			
1	8000-388	Compressor				X		
1	8000-389	Compressor					X	
1	8000-390	Compressor						X
2	S900-334-002	Blower Assembly	X	X	X			
2	S900-334-001	Blower Assembly				X	X	X
3	8200-001	Fan Motor Mount	X	X	X	X	X	X
4	5151-050	Fan Blade	X	X	X	X	X	X
5	8105-074	Condenser Motor	X	X	X	X	X	X
6	5051-188BX	Condenser Coil	X	X	X	X	X	X
7	5651-221	Cooling TXV				X	X	X
8	5060-163BX	Evaporator Coil	X	X	X	X	X	X
9	7004-019	Air Filter 1" Throw-Away	X	X	X	X	X	X
9	7004-062	Air Filter 2" Pleated MERV 13 ①	X	X	X	X	X	X
9	7004-048	Air Filter 2" Pleated MERV 11 ①	X	X	X	X	X	X
9	7004-030	Air Filter 2" Pleated MERV 8 ①	X	X	X	X	X	X
9	7004-026	Air Filter 2" Pleated MERV 6 ①	X	X	X	X	X	X
10	1171-022	1/4" Turn Fastener	X	X	X	X	X	X
11	1171-024	1/4" Turn Retainer	X	X	X	X	X	X
12	1171-023	1/4" Receptacle	X	X	X	X	X	X
13	5650-039	Reversing Valve with 24V Solenoid Coil	X	X	X	X	X	X
14	5650-042	Rev. Valve Solenoid, Red Casing (Ranco)	X	X	X	X	X	X
14	5650-043	Rev. Valve Solenoid, Black Casing (Wilspec)	X	X	X	X	X	X
14	5650-046	Rev. Valve Solenoid, Black Casing (San Hua)	X	X	X	X	X	X
15	5650-037	Molded Plug 36" Lead	X	X	X	X	X	X
16	800-0431	Cooling Distributor	X	X	X			
16	800-0392	Cooling Distributor Assembly w/Orifice				X	X	X
17	8620-225	Defrost Sensor	X	X	X	X	X	X
18	800-0434	Heating Distributor	X	X	X	X	X	X
19	1804-0385	High Pressure Switch (Flare) ①	X	X	X	X	X	X
21	5651-191	Heating TXV	X	X	X			
21	5651-177	Heating TXV				X	X	X
22	5201-010	Filter Drier (Bi-Direct)	X	X	X	X	X	X
NS	1804-0107	Low Pressure Switch (Flare) ①	X	X	X	X	X	X
NS	CMH-20	Low Ambient Control (Flare) - 230V ①	X	X		X	X	
NS	CMH-18	Low Ambient Control - 460V ①			X			X
NS	8002-012	Sound Cover	X	X	X	X	X	X
NS	5202-022	Suction Accumlator	X	X	X			
NS	3000-1276	Compressor Power Plug	X			X		
NS	3000-1244	Compressor Power Plug		X	X		X	X
NS	3000-1223	Compressor Speed Plug	X	X	X	X	X	X
NS	5220-013	Discharge Muffler	X	X	X	X	X	X
NS	6031-009	Coremax Valve Core	X	X	X	X	X	X
NS	8407-058	Stepdown Transformer 480V/240V 1.0KVA			X			X

NS – Not Shown

① – Optional

CONTROL PANEL



SEXP-603

CONTROL PANEL

Dwg. No.	Part Number	Description	C24H2-A, C30H2-A	C24H2-B	C30H2-B	C24H2-C, C30H2-C
1	8607-031	Low Voltage Terminal Strip	X	X	X	X
2	8607-013	Terminal Block 2 Pole	X			
2	8607-014	Terminal Block 3 Pole		X	X	X
2	8607-015	Phenolic Insulator				X
3	8607-017	Terminal Block				X
4	8407-035	Transformer	X	X	X	
4	8407-042	Transformer				X
5	8401-006	Compressor Contactor	X			
5	8401-002	Compressor Contactor		X	X	X
6	8552-050	Compressor Capacitor				
6	8552-052	Compressor Capacitor	X			
6	8552-002	Outdoor Motor Capacitor		X	X	X
7	3000-1379	6 Pin Connector	X	X	X	X
8	8611-006	Ground Terminal	X	X	X	X
9	8620-223	Heat Pump Control Board w/LPB	X	X	X	X
12	8201-032	Outdoor Fan Relay				X
15	S117X138	Low Voltage Box	X	X	X	X
16	117X137	Control Panel Top	X	X	X	X
17	135-122	Wire Shield	X	X	X	X
18	117X123	Control Panel	X	X	X	X
19	8201-126	Phase Monitor		X	X	X
20	8614-041	Fuse Block				X
21	8614-046	Fuse				2
22	3000-1356	Blower Power Harness	X	X	X	X
23	3000-1390	Blower Control Harness	X	X	X	X
NS	8551-004	Start Device ① (PTCR)	X			
NS	8201-130	LAC Bypass Relay ①	X	X	X	X
NS	4096-172	Wiring Diagram	X			
NS	4096-272	Wiring Diagram		X	X	
NS	4096-372	Wiring Diagram				X
NS	8615-037	Circuit Breaker 35A 2 Pole (OZ) ②	X			
NS	8615-054	Circuit Breaker 20A 3 Pole (OZ) ②		X		
NS	8615-051	Circuit Breaker 25A 3 Pole (OZ) ②			X	
NS	S8615-101	Rotary Disconnect (OZ) ②				X
NS	3000-1252	Electric Heat Jumper Plug ③	X	X	X	X

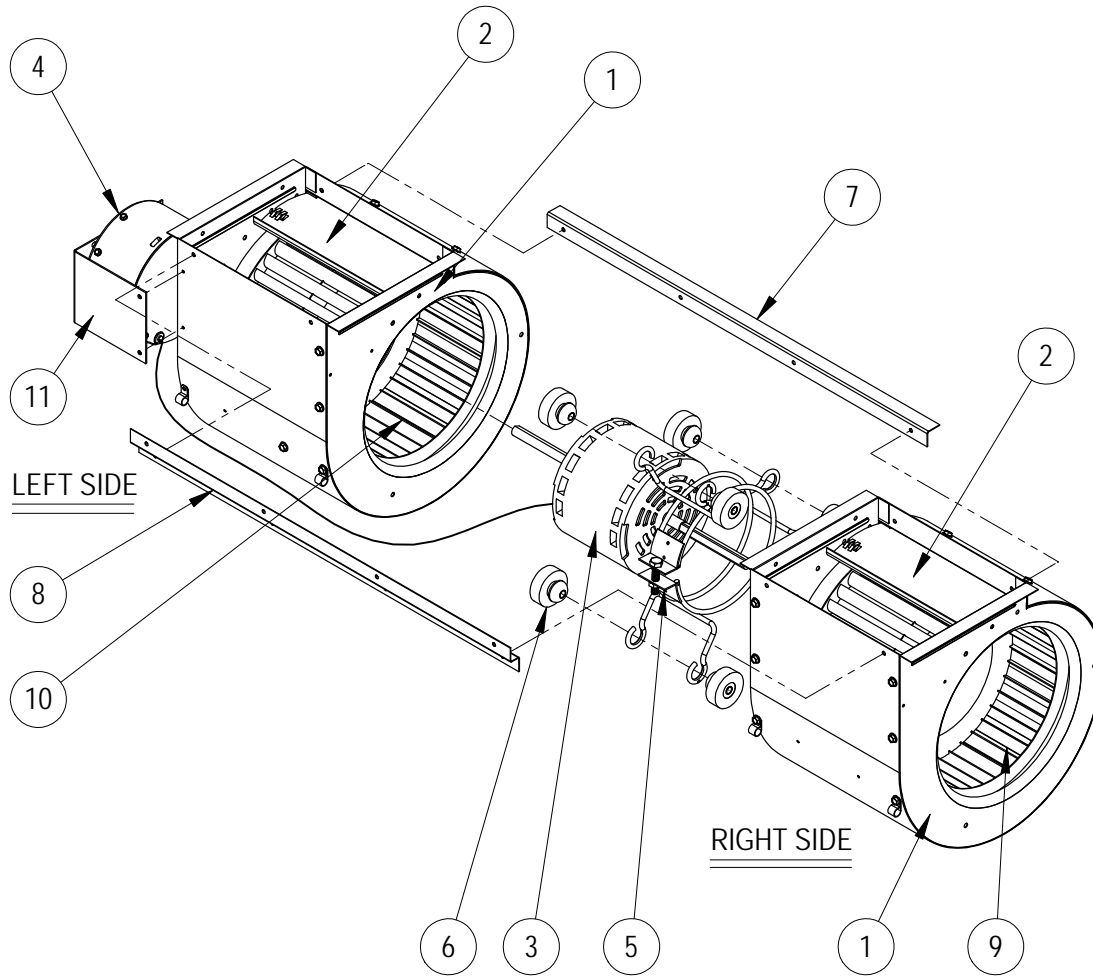
NS = Not shown

① Optional on these models.

② Circuit breakers listed are for units without electric heat "OZ" models. See heater replacement parts manual for units with electric heat.

③ Only on units without electric heat.

BLOWER ASSEMBLY



SEXP-583 A

Dwg. No.	Part Number	Description	S900-334-001	S900-334-002
1	151-111	Blower Housing	2	2
2	144-174	Diffuser	2	2
3	S8105-060-0119	Blower Motor 1/3 HP ECM Motor w/Programmed Control	X	
3	S8105-060-0118	Blower Motor 1/3 HP ECM Motor w/Programmed Control		X
4	C8105-060-0119	Programmed Motor Control Only	X	
4	C8105-060-0118	Programmed Motor Control Only		X
5	8200-031	Motor Mount	X	X
6	5451-011	Grommets	6	6
7	105-870	Back Brace	X	X
8	103-401	Front Brace	X	X
9	5152-090	Blower Wheel	X	X
10	5152-091	Blower Wheel	X	X
11	113-637	Blower Motor Control Bracket	X	X