
REPLACEMENT PARTS MANUAL

WALL MOUNTED PACKAGED HEAT PUMP

Models:

W18HB-A W24HB-A W24HBDA
 W24HB-B W24HBDB
 W24HB-C W24HBDC

Contents

| Description | Page | Description | Page |
|--|------|-------------------------|------|
| Cabinet Components | | Blower Assembly | |
| ♦ Exploded View | 2 | ♦ Exploded View | 14 |
| ♦ Usage List | 3 | ♦ Usage List | 14 |
| Functional Components – Standard Units | | EEV Controller Assembly | |
| ♦ Exploded View | 4 | ♦ Exploded View | 15 |
| ♦ Usage List | 5 | ♦ Usage List | 15 |
| Functional Components – Dehumidification Units | | | |
| ♦ Exploded View | 6 | | |
| ♦ Usage List | 7 | | |
| Control Panel – 230 Volt 1 Phase Units | | | |
| ♦ Layout View | 8 | | |
| ♦ Usage List | 9 | | |
| Control Panel – 230 Volt 3 Phase Units | | | |
| ♦ Layout View | 10 | | |
| ♦ Usage List | 11 | | |
| Control Panel – 460 Volt 3 Phase Units | | | |
| ♦ Layout View | 12 | | |
| ♦ Usage List | 13 | | |

General Notes

- Revised and/or additional pages may be issued from time to time.
- A complete and current manual consists of pages shown in the contents section.

Important

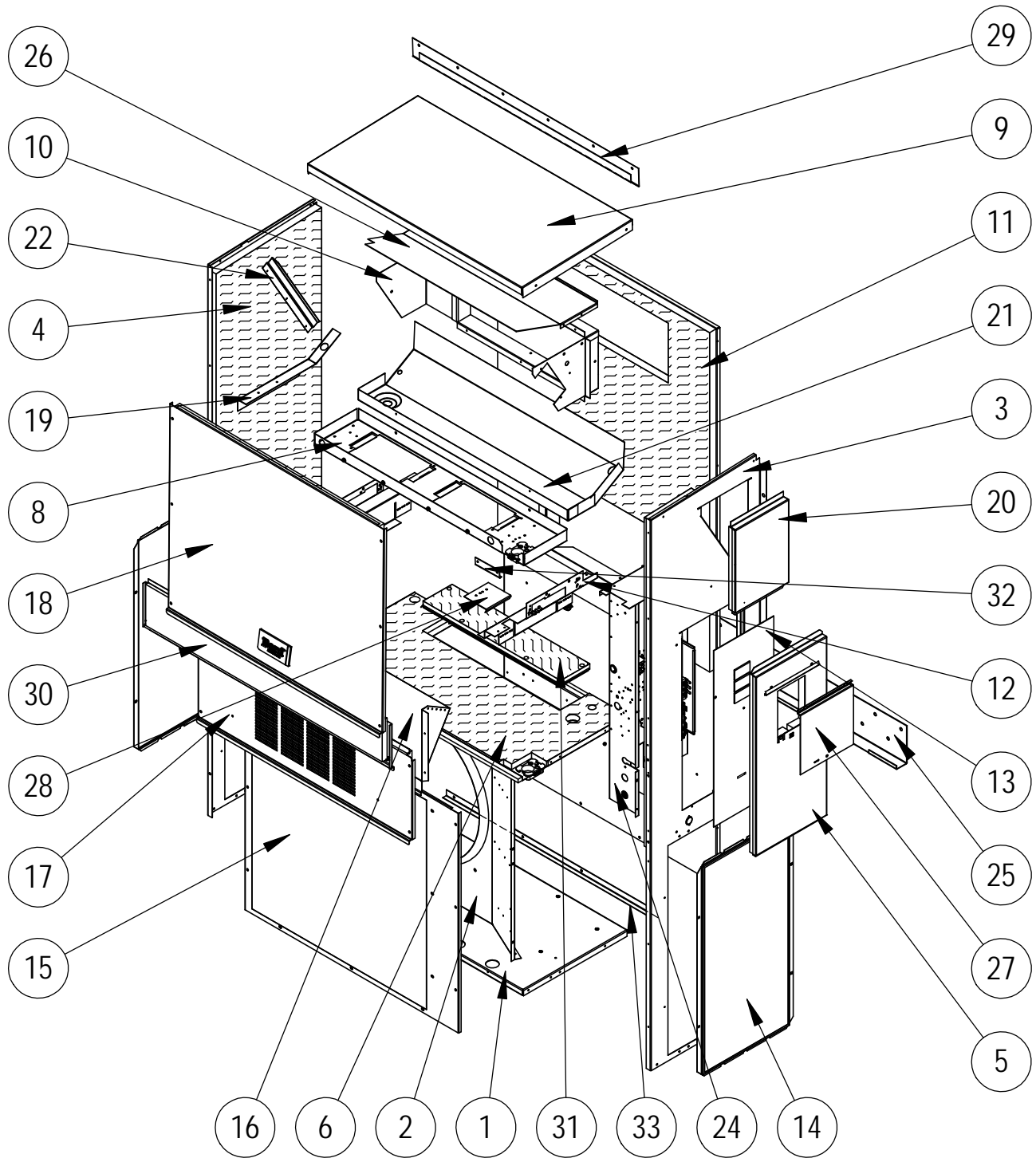
- Contact the installing and/or local Bard distributor for all parts requirements. Make sure to have the complete model and serial number available from the unit rating plates.



Bard Manufacturing Company, Inc.
Bryan, Ohio 43506
www.bardhvac.com

Manual: 2110-1548A
Supersedes: 2110-1548
Date: 10-23-19

CABINET COMPONENTS



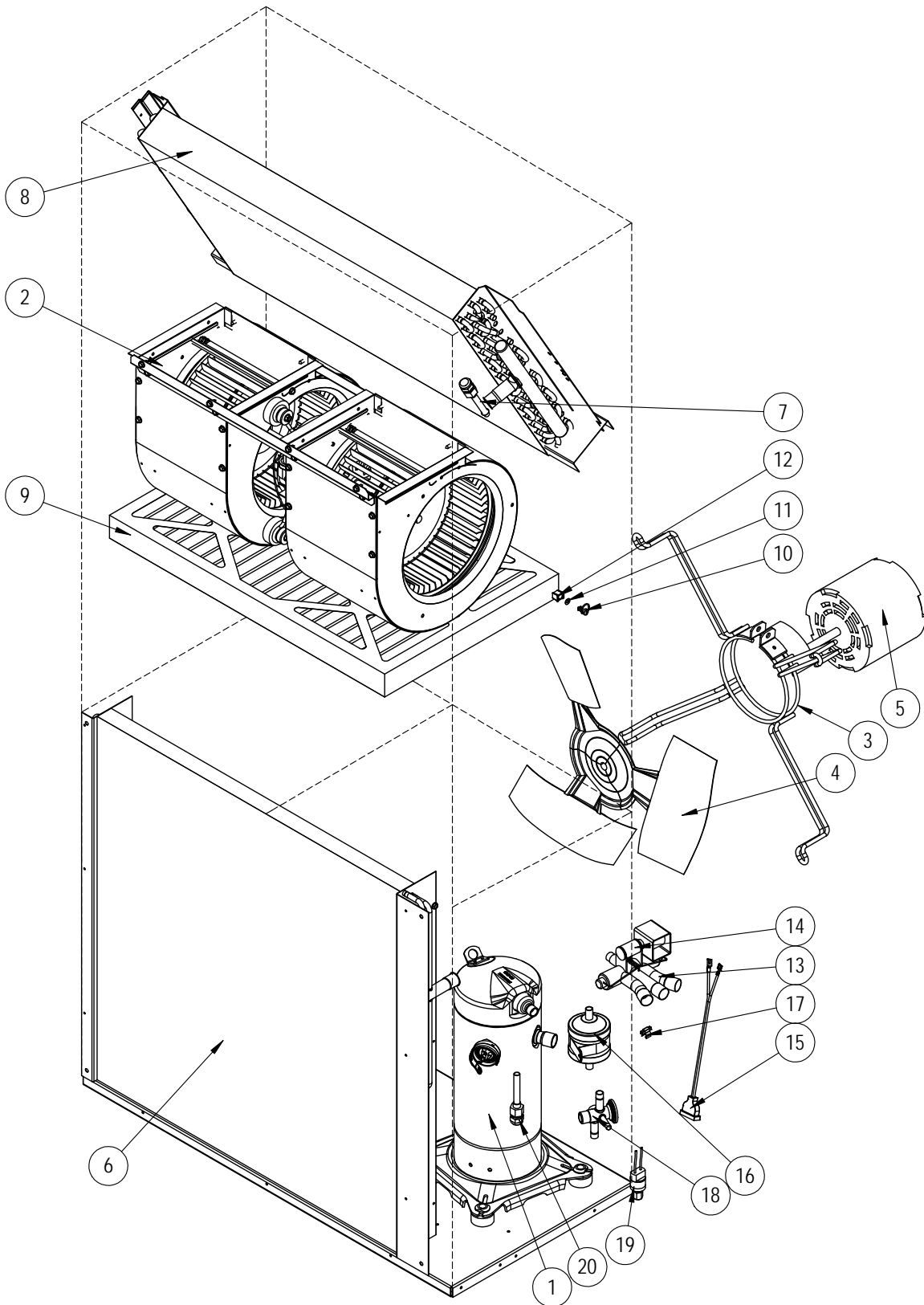
SEXP-991

CABINET COMPONENTS

| Dwg No. | Part Number | Description | W18HB-A | W24HB-A, B | W24HB-C | W24HBDA, B | W24HBDC |
|---------|------------------------|--|---------|------------|---------|------------|---------|
| 1 | S127-467 | Lower Base | X | X | X | X | X |
| 1 | S127-534 ② | Lower Base | X | X | X | X | X |
| 2 | 125-080 | Fan Shroud | X | X | X | X | X |
| 2 | 125-082 ② | Fan Shroud | X | X | X | X | X |
| 3 | S501-933-* ① | Right Side | X | X | X | X | X |
| 3 | S501-994-* ② | Right Side | X | X | X | X | X |
| 3 | S501-937 ③ | Right Side | X | X | X | X | X |
| 4 | S501-934-* ① | Left Side | X | X | X | X | X |
| 4 | S501-995-* ② | Left Side | X | X | X | X | X |
| 4 | S501-940 ③ | Left Side | X | X | X | X | X |
| 5 | S533-228-* ① | Control Panel Cover (Outer) | X | X | X | X | X |
| 5 | S533-235 ② | Control Panel Cover (Outer) | X | X | X | X | X |
| 5 | S533-236 ③ | Control Panel Cover (Outer) | X | X | X | X | X |
| 6 | S521X528 | Condenser Partition | X | X | X | X | X |
| 6 | S521-553 ② | Condenser Partition | X | X | X | X | X |
| 8 | 121X480 | Blower Partition | X | X | X | X | X |
| 9 | S507-311-* ① | Top | X | X | X | X | X |
| 9 | S507-318-* ③ | Top | X | X | X | X | X |
| 9 | S507-317 ② | Top | X | X | X | X | X |
| 10 | S111X032 | Outlet Air Frame Assembly | X | X | X | X | X |
| 11 | S508-342 | Back | X | X | X | X | X |
| 11 | S508-344 ③ | Back | X | X | X | X | X |
| 11 | S508-391 ② | Back | X | X | X | X | X |
| 12 | 113X480 | Filter Bracket | 2 | 2 | 2 | 2 | 2 |
| 13 | S132-104 | Control Panel Cover (Inner) | X | X | | X | |
| 13 | S132-172 | Control Panel Cover (Inner) | | | X | | X |
| 14 | 118-124-* ① | Side Grille | 2 | 2 | 2 | 2 | 2 |
| 14 | 118-140 ② | Side Grille | 2 | 2 | 2 | 2 | 2 |
| 14 | 118-139 ③ | Side Grille | 2 | 2 | 2 | 2 | 2 |
| 15 | 118-101-* ① | Condenser Grille | X | X | X | X | X |
| 15 | 118-106 ② | Condenser Grille | X | X | X | X | X |
| 15 | 118-111 ③ | Condenser Grille | X | X | X | X | X |
| 16 | BFAD-2 | Fresh Air Damper Assembly | X | X | X | X | X |
| 17 | S553-537-* ① | Vent Option Door | X | X | X | X | X |
| 17 | S553-548 ③ | Vent Option Door | X | X | X | X | X |
| 17 | S553-555-* ② | Vent Option Door with ERV | X | X | X | X | X |
| 17 | S553-539 ① | Vent Option Door with ERV | X | X | X | X | X |
| 17 | S553-556 ③ | Vent Option Door with ERV | X | X | X | X | X |
| 17 | S553-547 ② | Vent Option Door | X | X | X | X | X |
| 18 | S514-240-* ① | Upper Front | X | X | X | X | X |
| 18 | S514-237-* ③ | Upper Front | X | X | X | X | X |
| 18 | S514-236 ② | Upper Front | X | X | X | X | X |
| 19 | 105X850 | Side Support | X | X | X | X | X |
| 20 | S543-175-* ① | Right Side Cover Plate (Outer) | X | X | X | X | X |
| 20 | S543-185 ② | Right Side Cover Plate (Outer) | X | X | X | X | X |
| 20 | S543-184 ③ | Right Side Cover Plate (Outer) | X | X | X | X | X |
| 21 | S123-126 | Drain Pan | X | X | X | X | X |
| 21 | S123-140 ②③ | Drain Pan | X | X | X | X | X |
| 22 | 147-044 | Evaporator Support | X | X | X | X | X |
| 24 | Control Panel Assembly | See Control Panel Assy. Drawing & Parts List Assy. | X | X | X | X | X |
| 25 | 113-140 | Bottom Mounting Bracket | X | X | X | X | X |
| 26 | 135X127 | Heat Shield | X | X | X | X | X |
| 27 | S153-218 ① | Disconnect Access Door | X | X | X | X | X |
| 27 | S153-405 ② | Disconnect Access Door | X | X | X | X | X |
| 27 | S153-387 ③ | Disconnect Access Door | X | X | X | X | X |
| 28 | 137-259 | Fill Plate | X | X | X | X | X |
| 29 | 113-141-* ① | Top Rain Flashing | X | X | X | X | X |
| 29 | 113-361 ② | Top Rain Flashing | X | X | X | X | X |
| 29 | 113-141-4 ③ | Top Rain Flashing | X | X | X | X | X |
| 30 | S553-538-* ① | Filter Door | X | X | X | X | X |
| 30 | S553-552-* ③ | Filter Door | X | X | X | X | X |
| 30 | S553-551 ② | Filter Door | X | X | X | X | X |
| 31 | S536-176 | Cond. Partition Block Off Plate | X | X | X | X | X |
| 31 | S536-878 ② | Cond. Partition Block Off Plate | X | X | X | X | X |
| 32 | 105-1302 | Grommet Retainer | X | X | X | X | X |
| 33 | 105-1392 | Close Off Angle | X | X | X | X | X |

- ① Exterior cabinet parts are manufactured with various paint color options. To ensure the proper paint color is received, include the complete model and serial number of the unit for which cabinet parts are being ordered.
- ② Exterior cabinet parts are manufactured from stainless steel Code "S"
- ③ Exterior cabinet parts are manufactured from aluminum Code "A"

FUNCTIONAL COMPONENTS – STANDARD UNITS



SEXP-985

FUNCTIONAL COMPONENTS – STANDARD UNITS

| Dwg No. | Part Number | Description | W18HB-A | W24HB-A | W24HB-B | W24HB-C |
|---------|--------------|---|---------|---------|---------|---------|
| 1 | 8000-433 | Compressor | X | | | |
| 1 | 8000-441 | Compressor | | X | | |
| 1 | 8000-435 | Compressor | | | X | |
| 1 | 8000-436 | Compressor | | | | X |
| NS | 3000-1224 | Molded Compressor Wire Harness (1-PH) | X | X | | |
| NS | 3000-1231 | Molded Compressor Wire Harness (3-PH) | | | X | X |
| 2 | 900-358-003 | Blower Assembly | X | | | |
| 2 | 900-358-004 | Blower Assembly | | X | X | |
| 2 | 900-359-002 | Blower Assembly | | | | X |
| 3 | 8200-001 | Fan Motor Mount | X | X | X | X |
| 3 | 8200-050 ① | Stainless Steel Fan Motor Mount | X | X | X | X |
| 4 | 5151-033 | Fan Blade | X | X | X | |
| 4 | 5151C033 ① | Coated Fan Blade | X | X | X | |
| 4 | 5151-046 | Fan Blade | | | | X |
| 4 | 5151C046 ① | Coated Fan Blade | | | | X |
| 5 | 8103-028 | Outdoor Fan Motor | X | X | X | |
| 5 | 8103-030 | Outdoor Fan Motor | | | | X |
| 6 | 917-0385BX | Outdoor Coil (Includes Distributor) | X | | | |
| 6 | 917-0390BX ② | Outdoor Coil – Coated (Includes Distributor) | O | | | |
| 6 | 917-0386BX | Outdoor Coil (Includes Distributor) | | X | X | X |
| 6 | 917-0391BX ② | Outdoor Coil – Coated (Includes Distributor) | | O | O | O |
| 7 | 800-0427 | Cooling Distributor Assembly | X | | | |
| 7 | 800-0485 | Cooling Distributor Assembly | | X | X | X |
| 8 | 917-0388BX | Indoor Coil (Includes Cooling Distributor) | X | | | |
| 8 | 917-0393BX ② | Indoor Coil – Coated (Includes Cooling Distributor) | O | | | |
| 8 | 917-0399BX | Indoor Coil (Includes Cooling Distributor) | | X | X | X |
| 8 | 917-0400BX ② | Indoor Coil – Coated (Includes Cooling Distributor) | | O | O | O |
| 9 | 7004-011 | Air Filter 16" x 25" x 1" Disposable | X | X | X | X |
| 9 | 7003-032 ② | Air Filter 16" x 25" x 1" Washable | O | O | O | O |
| 9 | 7004-025 ② | Air Filter 16" x 25" x 2" Pleated Disposable | O | O | O | O |
| 10 | 1171-022 | 1/4 Turn Fastener | X | X | X | X |
| 11 | 1171-024 | 1/4 Turn Retainer | X | X | X | X |
| 12 | 1171-023 | 1/4 Turn Receptacle | X | X | X | X |
| 13 | 5650-038 | Reversing Valve w/24V Solenoid Coil | X | X | X | X |
| 14 | 5650-046 | Reversing Valve 24V Solenoid | X | X | X | X |
| 15 | 5650-044 | Molded Plug 53" Lead | X | X | X | X |
| 16 | 5201-019 | Filter Drier, Bi-Directional, 3/8" Connections | X | X | X | X |
| 17 | 8620-224 | Defrost Sensor Kit | X | X | X | X |
| 18 | 5651-218 | Heating Expansion Valve | X | X | X | X |
| 19 | 8406-142 | High Pressure Switch (650#) Screw On | X | X | X | X |
| 20 | 5625-127 | Heating Distributor | X | X | X | X |
| NS | 8406-135 | Low Pressure Switch (14#) Screw On | X | X | X | X |
| NS | 6031-009 | Coremax Valve Core (Service Port) | 2 | 2 | 2 | 2 |
| NS | 8406-127 ② | Low Ambient Fan Cycling Control (350#/225#) | O | | | |
| NS | 8406-105 ② | Low Ambient Fan Cycling Control (350#/225#) | | O | O | O |
| NS | 8408-028 ② | Outdoor Thermostat | O | O | O | O |
| NS | 1171-028 | Filter Door Clip | X | X | X | X |
| NS | 1171-057 | Filter Door Screw | X | X | X | X |
| NS | 1171-027 | Filter Door Screw Retainer | X | X | X | X |

NS – Not Shown

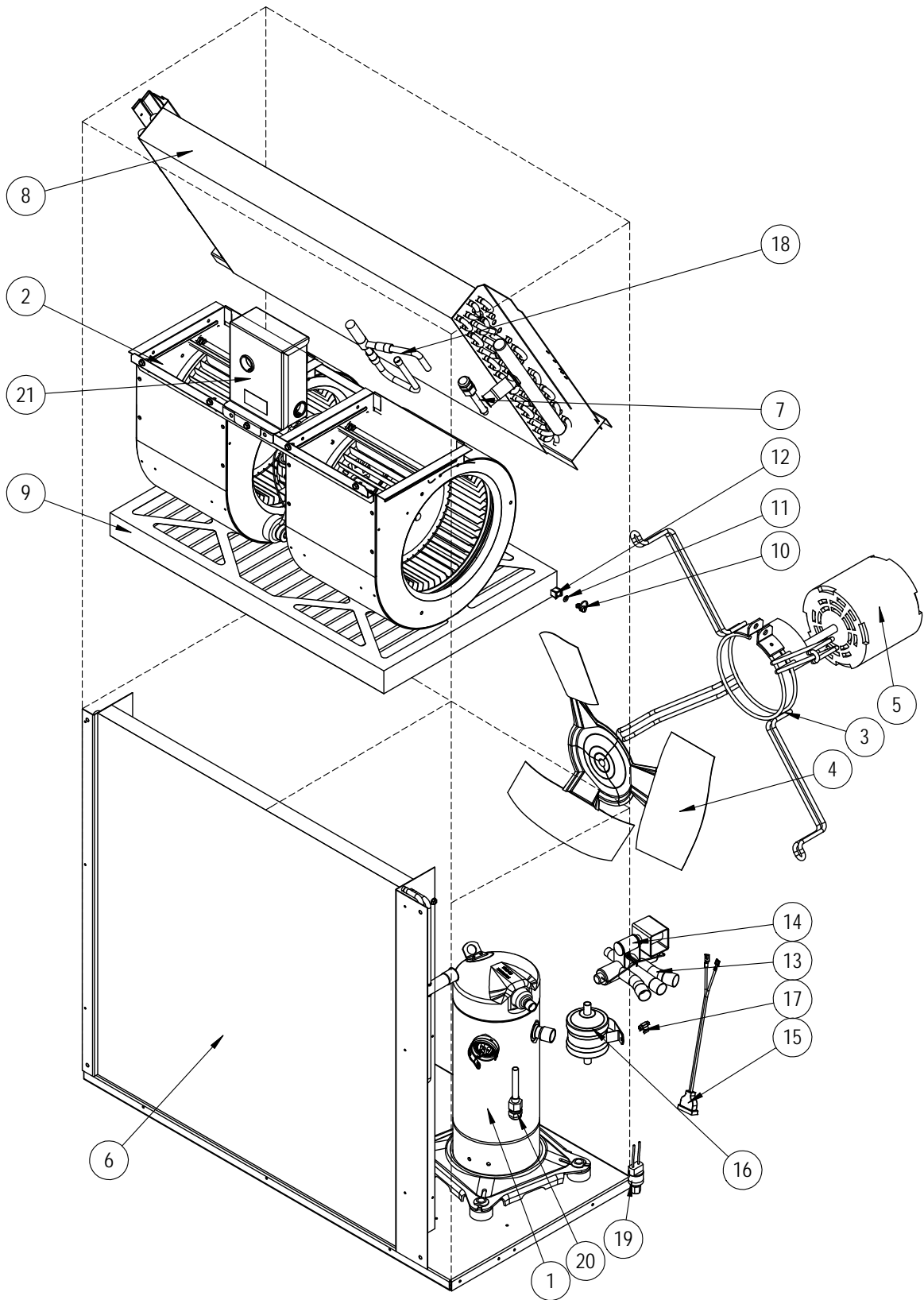
① – Used with stainless steel cabinet option

② – Optional on these models

X – Standard

O – Add-On Option

FUNCTIONAL COMPONENTS - DEHUMIDIFICATION UNITS



SEXP-986

FUNCTIONAL COMPONENTS – DEHUMIDIFICATION UNITS

| Dwg No. | Part Number | Description | W24HBDA | W24HBDB | W24HBDC |
|---------|--------------|---|---------|---------|---------|
| 1 | 8000-441 | Compressor | X | | |
| 1 | 8000-435 | Compressor | | X | |
| 1 | 8000-436 | Compressor | | | X |
| NS | 3000-1224 | Molded Compressor Wire Harness (1-PH) | X | | |
| NS | 3000-1231 | Molded Compressor Wire Harness (3-PH) | | X | X |
| 2 | 900-358-004 | Blower Assembly | X | X | |
| 2 | 900-359-002 | Blower Assembly | | | X |
| 3 | 8200-001 | Fan Motor Mount | X | X | X |
| 3 | 8200-050 ① | Stainless Steel Fan Motor Mount | X | X | X |
| 4 | 5151-033 | Fan Blade | X | X | |
| 4 | 5151C033 ① | Coated Fan Blade | X | X | |
| 4 | 5151-046 | Fan Blade | | | X |
| 4 | 5151C046 ① | Coated Fan Blade | | | X |
| 5 | 8103-028 | Outdoor Fan Motor | X | X | |
| 5 | 8103-030 | Outdoor Fan Motor | | | X |
| 6 | 917-0386BX | Outdoor Coil (Includes Distributor) | X | X | X |
| 6 | 917-0391BX ② | Outdoor Coil – Coated (Includes Distributor) | O | O | O |
| 7 | 800-0426 | Cooling Distributor Assembly | X | X | X |
| 8 | 917-0383BX | Indoor Coil (Includes Cooling Distributor) | X | X | X |
| 8 | 917-0395BX ② | Indoor Coil – Coated (Includes Cooling Distributor) | O | O | O |
| 9 | 7004-011 | Air Filter 16" x 25" x 1" Disposable | X | X | X |
| 9 | 7003-032 ② | Air Filter 16" x 25" x 1" Washable | O | O | O |
| 9 | 7004-025 ② | Air Filter 16" x 25" x 2" Pleated Disposable | O | O | O |
| 10 | 1171-022 | 1/4 Turn Fastener | X | X | X |
| 11 | 1171-024 | 1/4 Turn Retainer | X | X | X |
| 12 | 1171-023 | 1/4 Turn Receptacle | X | X | X |
| 13 | 5650-038 | Reversing Valve w/24V Solenoid Coil | X | X | X |
| 14 | 5650-046 | Reversing Valve 24V Solenoid | X | X | X |
| 15 | 5650-044 | Molded Plug 53" Lead | X | X | X |
| 16 | 5201-019 | Filter Drier, Bi-Directional, 3/8" Connections | X | X | X |
| 17 | 8620-224 | Defrost Sensor Kit | X | X | X |
| 18 | 5651-245 | Electronic Expansion Valve | X | X | X |
| 19 | 8406-142 | High Pressure Switch (650#) Screw On | X | X | X |
| 20 | 5625-014 | Heating Distributor | X | X | X |
| 21 | 910-2050-002 | Programmed EEV Controller Assembly | X | X | X |
| NS | 8406-135 | Low Pressure Switch (14#) Screw On | X | X | X |
| NS | 8406-158 | Low Pressure Transducer | X | X | X |
| NS | 6031-009 | Coremax Valve Core (Service Port) | 2 | 2 | 2 |
| NS | 5650-051 | Dehumidification Mode Valve | X | X | X |
| NS | 5651-219 | Dehumidification Check Valves | 2 | 2 | 2 |
| NS | 8406-105 ② | Low Ambient Fan Cycling Control (350#/225#) | O | O | O |
| NS | 8408-028 ② | Outdoor Thermostat | O | O | O |
| NS | 1171-028 | Filter Door Clip | X | X | X |
| NS | 1171-057 | Filter Door Screw | X | X | X |
| NS | 1171-027 | Filter Door Screw Retainer | X | X | X |

NS – Not Shown

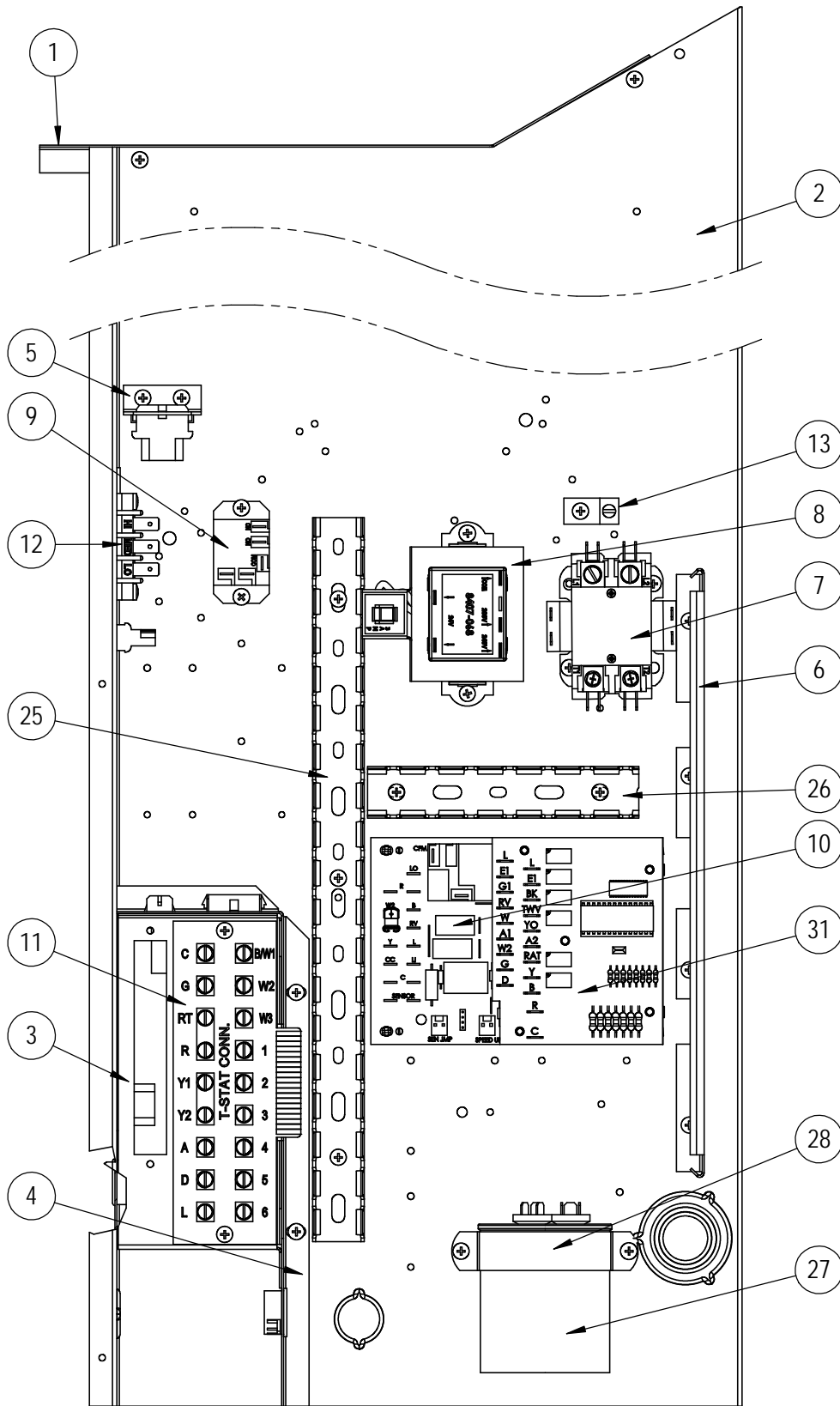
① – Used with stainless steel cabinet option

② – Optional on these models

X – Standard

O – Add-On Option

CONTROL PANEL - 230 VOLT 1 PHASE UNITS



SEXP-987

CONTROL PANEL – 230 VOLT 1 PHASE UNITS

| Dwg No. | Part Number | Description | W18HB-A | W24HB-A | W24HBDA |
|---------|---------------|---|---------|---------|---------|
| 1 | 117X137 | Control Panel Top - RH (Sheet Metal Only) | X | X | X |
| 2 | 117X374 | Control Panel - RH (Sheet Metal Only) | X | X | X |
| 3 | 117X375 | Low Voltage Box - RH (Sheet Metal Only) | X | X | X |
| 4 | 117X385 | Low Voltage Partition - RH (Sheet Metal Only) | X | X | X |
| NS | 3000-1494 | Low Voltage Wire Harness (behind LVTS) | X | X | X |
| NS | 910-2047 | Complete Low Voltage Box Assembly (Sheet Metal, LVTS & Wire Harness) | X | X | X |
| 5 | 141-188 | Plug Support Bracket (Sheet Metal) | X | X | X |
| 6 | 135-122 | Wire Shield (Sheet Metal) | X | X | X |
| 7 | 8401-033 | Contactors 2-Pole | X | X | X |
| 8 | 8407-068 | Transformer 208/240-24, 50VA | X | X | X |
| 9 | 8201-130 | Relay, SPDT | X | X | X |
| 10 | 8620-223 | Defrost Board Replacement Kit w/Sensor | X | X | X |
| 11 | 8607-044 | Terminal Strip | X | X | X |
| 12 | 8607-042 | Blower Speed Terminal | X | X | X |
| 13 | 8611-006 | Ground Lug | X | X | X |
| 25 | 8611-140-1400 | 14" Cable Duct | X | X | X |
| 26 | 8611-140-0500 | 5" Cable Duct | X | X | X |
| 27 | 8552-047 | Capacitor 30+5/370 V, 2-1/2" Round | X | | |
| 27 | 8552-050 | Capacitor 40+5/370 V, 2-1/2" Round | | X | X |
| 28 | 8550-008 | Capacitor Strap, 2-1/2" Round | X | X | X |
| 31 | 8201-113 | Dehumidification Logic Control Board | | | X |
| NS | 3003-058 | Main Control Panel Wire Harness | X | X | |
| NS | 3003-061 | Main Control Panel Wire Harness | | | X |
| NS | 8201-086 ① | LAC and/or ODT Relay | O | O | O |
| NS | 8408-028 ① | Outdoor Thermostat | O | O | O |
| NS | 3000-1598 | Blower Power Plug | X | X | X |
| NS | 3000-1599 | Blower Speed Plug | X | X | X |
| NS | 4096-168 | Wiring Diagram | X | X | |
| NS | 4096-169 | Wiring Diagram | | | X |

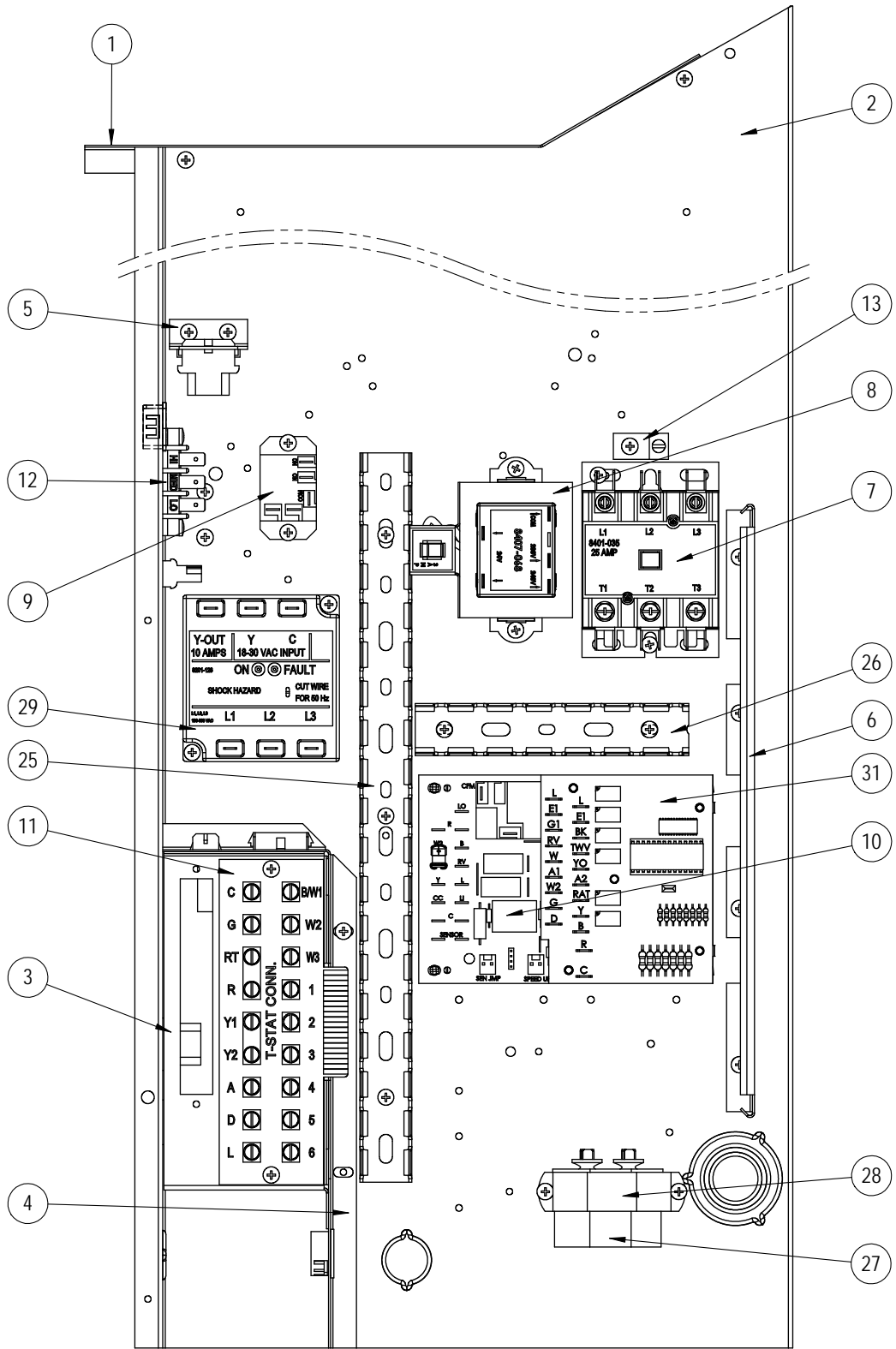
NS – Not Shown

① – Optional

X – Standard

O – Add-On Option

CONTROL PANEL - 230 VOLT 3 PHASE UNITS



SEXP-988

CONTROL PANEL – 230 VOLT 3 PHASE UNITS

| Dwg No. | Part Number | Description | W24HB-B | W24HBDB |
|---------|---------------|---|---------|---------|
| | | | | |
| 1 | 117X137 | Control Panel Top - RH (Sheet Metal Only) | X | X |
| 2 | 117X374 | Control Panel - RH (Sheet Metal Only) | X | X |
| 3 | 117X375 | Low Voltage Box - RH (Sheet Metal Only) | X | X |
| 4 | 117X385 | Low Voltage Partition - RH (Sheet Metal Only) | X | X |
| NS | 3000-1494 | Low Voltage Wire Harness (behind LVTS) | X | X |
| NS | 910-2047 | Complete Low Voltage Box Assembly (Sheet Metal, LVTS & Wire Harness) | X | X |
| 5 | 141-188 | Plug Support Bracket (Sheet Metal) | X | X |
| 6 | 135-122 | Wire Shield (Sheet Metal) | X | X |
| 7 | 8401-035 | Contactors 3-Pole | X | X |
| 8 | 8407-068 | Transformer 208/240-24, 50VA | X | X |
| 9 | 8201-130 | Relay, SPDT | X | X |
| 10 | 8620-223 | Defrost Board Replacement Kit w/Sensor | X | X |
| 11 | 8607-044 | Terminal Strip | X | X |
| 12 | 8607-042 | Blower Speed Terminal | X | X |
| 13 | 8611-006 | Ground Lug | X | X |
| 25 | 8611-140-1400 | 14" Cable Duct | X | X |
| 26 | 8611-140-0500 | 5" Cable Duct | X | X |
| 27 | 8552-002 | Capacitor 5/370 V, 1-1/4" Oval | X | X |
| 28 | 8550-003 | Capacitor Strap, 1-1/4" Oval | X | X |
| 29 | 8201-126 | 3 Phase Line Monitor | X | X |
| 31 | 8201-113 | Dehumidification Logic Control Board | | X |
| NS | 3003-059 | Main Control Panel Wire Harness | X | |
| NS | 3003-062 | Main Control Panel Wire Harness | | X |
| NS | 8201-086 ① | LAC and/or ODT Accessory Relay | O | O |
| NS | 8408-028 ① | Outdoor Thermostat | O | O |
| NS | 3000-1598 | Blower Power Plug | X | X |
| NS | 3000-1599 | Blower Speed Plug | X | X |
| NS | 4096-270 | Wiring Diagram | X | |
| NS | 4096-271 | Wiring Diagram | | X |

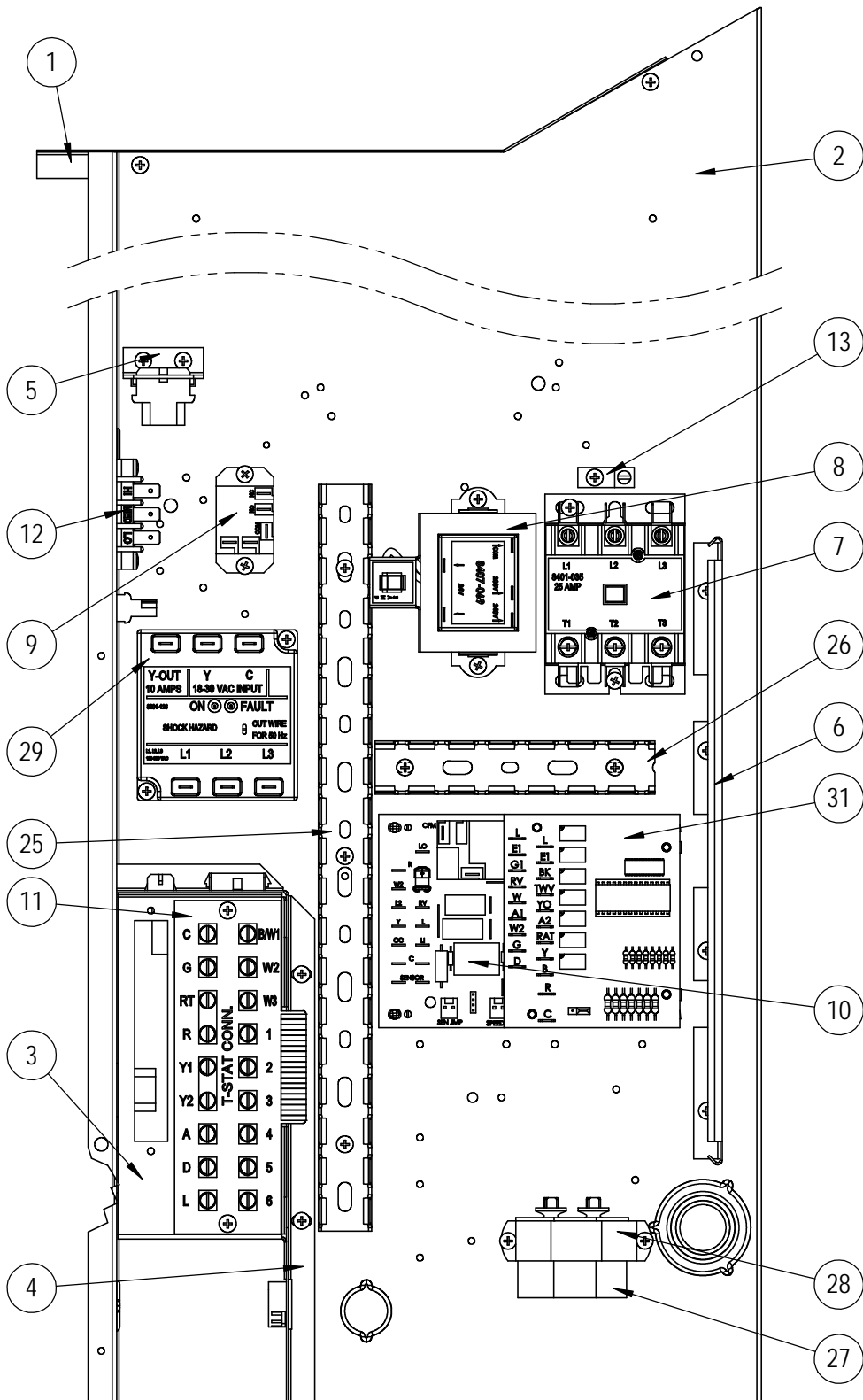
NS – Not Shown

① – Optional

X – Standard

O – Add-On Option

CONTROL PANEL - 460 VOLT 3 PHASE UNITS



SEXP-989

CONTROL PANEL – 460 VOLT 3 PHASE UNITS

| Dwg No. | Part Number | Description | W24HB-C | W24HBDC |
|---------|---------------|---|---------|---------|
| 1 | 117X137 | Control Panel Top - RH (Sheet Metal Only) | X | X |
| 2 | 117X374 | Control Panel - RH (Sheet Metal Only) | X | X |
| 3 | 117X375 | Low Voltage Box - RH (Sheet Metal Only) | X | X |
| 4 | 117X385 | Low Voltage Partition - RH (Sheet Metal Only) | X | X |
| NS | 3000-1494 | Low Voltage Wire Harness (behind LVTS) | X | X |
| NS | 910-2047 | Complete Low Voltage Box Assembly (Sheet Metal, LVTS & Wire Harness) | X | X |
| 5 | 141-188 | Plug Support Bracket (Sheet Metal) | X | X |
| 6 | 135-122 | Wire Shield (Sheet Metal) | X | X |
| 7 | 8401-035 | Contactors 3-Pole | X | X |
| 8 | 8407-069 | Transformer 480-24, 50VA | X | X |
| 9 | 8201-032 | Relay, SPDT, 3 FLA@480V | X | X |
| 10 | 8620-223 | Defrost Board Replacement Kit w/Sensor | X | X |
| 11 | 8607-044 | Terminal Strip | X | X |
| 12 | 8607-042 | Blower Speed Terminal | X | X |
| 13 | 8611-006 | Ground Lug | X | X |
| 25 | 8611-140-1400 | 14" Cable Duct | X | X |
| 26 | 8611-140-0500 | 5" Cable Duct | X | X |
| 27 | 8552-002 | Capacitor 5/370 V, 1-1/4" Oval | X | X |
| 28 | 8550-003 | Capacitor Strap, 1-1/4" Oval | X | X |
| 29 | 8201-126 | 3 Phase Line Monitor | X | X |
| 31 | 8201-113 | Dehumidification Logic Control Board | | X |
| NS | 3003-060 | Main Control Panel Wire Harness | X | |
| NS | 3003-063 | Main Control Panel Wire Harness | | X |
| NS | 8201-086 ① | LAC and/or ODT Accessory Relay | O | O |
| NS | 8408-028 ① | Outdoor Thermostat | O | O |
| NS | 3000-1598 | Blower Power Plug | X | X |
| NS | 3000-1599 | Blower Speed Plug | X | X |
| NS | 4096-368 | Wiring Diagram | X | |
| NS | 4096-369 | Wiring Diagram | | X |

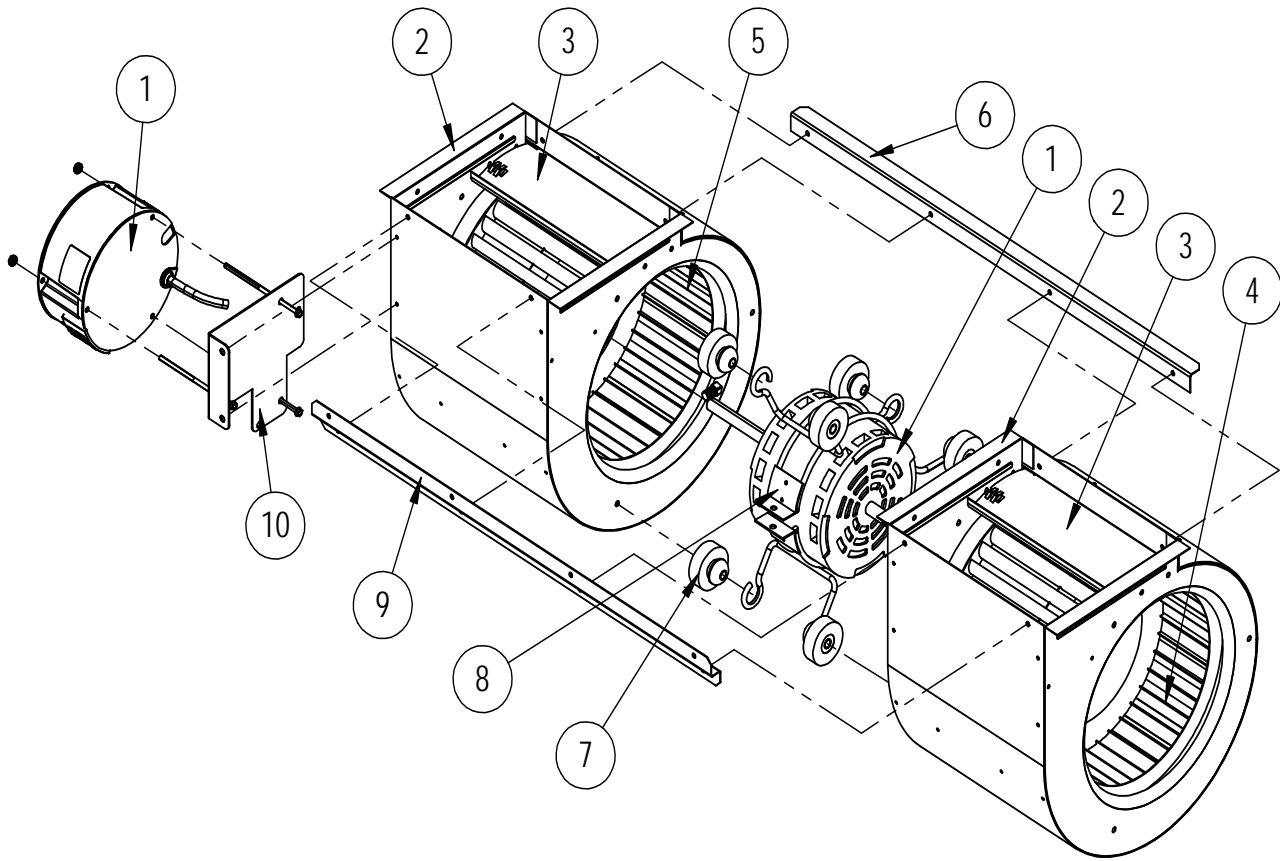
NS – Not Shown

① – Optional

X – Standard

O – Add-On Option

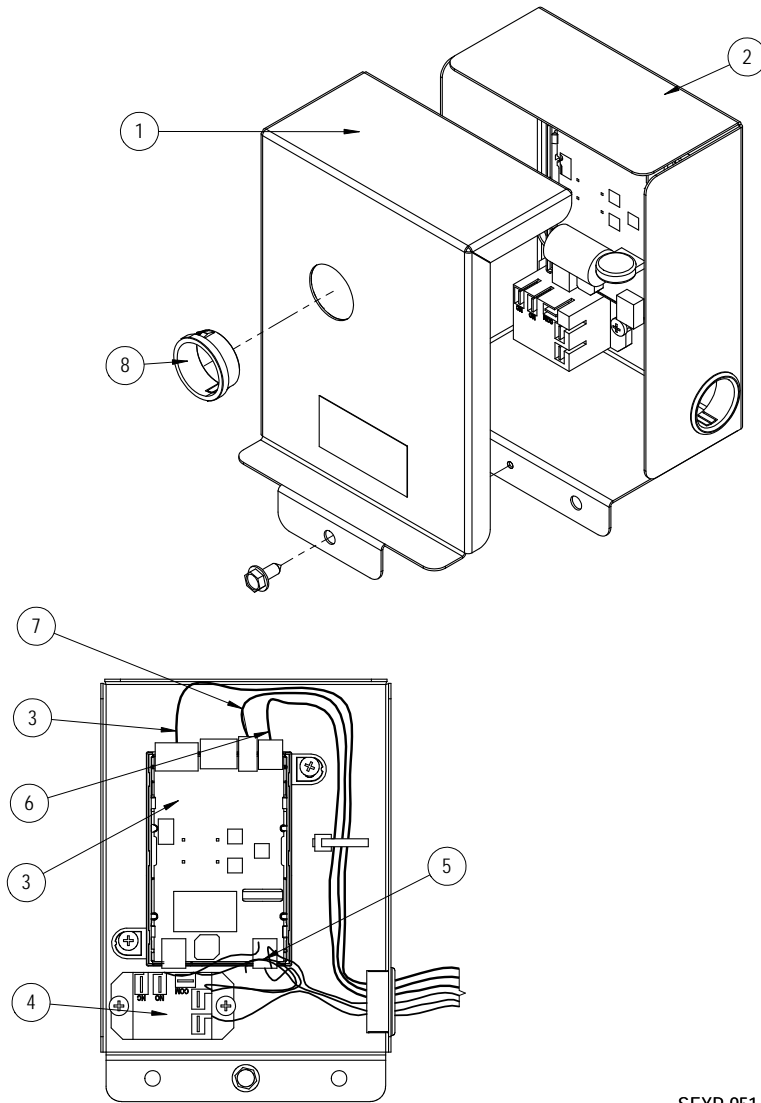
BLOWER ASSEMBLY



SEXP-909

| Dwg No. | Part Number | Description | 900-358-003 | 900-358-004 | 900-359-002 |
|---------|----------------|------------------------------------|-------------|-------------|-------------|
| 1 | S8105-064-0168 | Blower Motor & Control (230/208V) | X | | |
| 1 | S8105-064-0169 | Blower Motor & Control (230/208V) | | X | |
| 1 | S8105-065-0170 | Blower Motor & Control (460V) | | | X |
| 1 | C8105-064-0168 | Programmed Control Only (230/208V) | 0 | | |
| 1 | C8105-064-0169 | Programmed Control Only (230/208V) | | 0 | |
| 1 | C8105-065-0170 | Programmed Control Only (460V) | | | 0 |
| 2 | 151-115 | Housing | 2 | 2 | 2 |
| 3 | 144-183 | Cutoff | X | X | X |
| 4 | 5152-092 | Wheel 9-6 CW | X | X | X |
| 5 | 5152-093 | Wheel 9-6 CCW | X | X | X |
| 6 | 105-1061 | Back Brace | X | X | X |
| 7 | 5451-011 | Grommets | 6 | 6 | 6 |
| 8 | 8200-031 | Motor Mount | X | X | X |
| 9 | 103-435 | Front Brace | X | X | X |
| 10 | 113-721 | Motor Control Bracket | X | X | X |

EEV CONTROLLER ASSEMBLY



SEXP-951

S910-2050-002

| Dwg No. | Part Number | Description | |
|---------|---------------|---|---|
| 1 | 143-219 | EEV Control Box Cover | X |
| 2 | 127-572 | EEV Control Box | X |
| 3 | S8301-079-002 | EEV Control & Cable | X |
| 4 | 8201-130 | Control Relay | X |
| 5 | 3000-1602 | Main Wire Assembly | X |
| 6 | 3000-1611 | Transducer Wire Assembly – Connects to EEV Board | X |
| 6 | 3000-1602 | Transducer Wire Assembly – Connects to Transducer | X |
| 7 | 8408-056 | EEV Thermistor | X |
| 8 | 8611-075 | Clear Snap Plug | X |