
Replacement Parts Manual

BLOWER COIL HEATER PACKAGE

MODEL: EH3GSVA

General Notes

- Revised and/or additional pages may be issued from time to time.
- A complete and current manual consists of pages shown in the following contents section.

Contents

<u>Description</u>	<u>Page</u>
Functional Components	
♦ Exploded View	1
♦ Usage List	2

Important

- Contact the installing and/or local Bard distributor for all parts requirements. Make sure you have the complete model and serial number available from the unit rating plates.

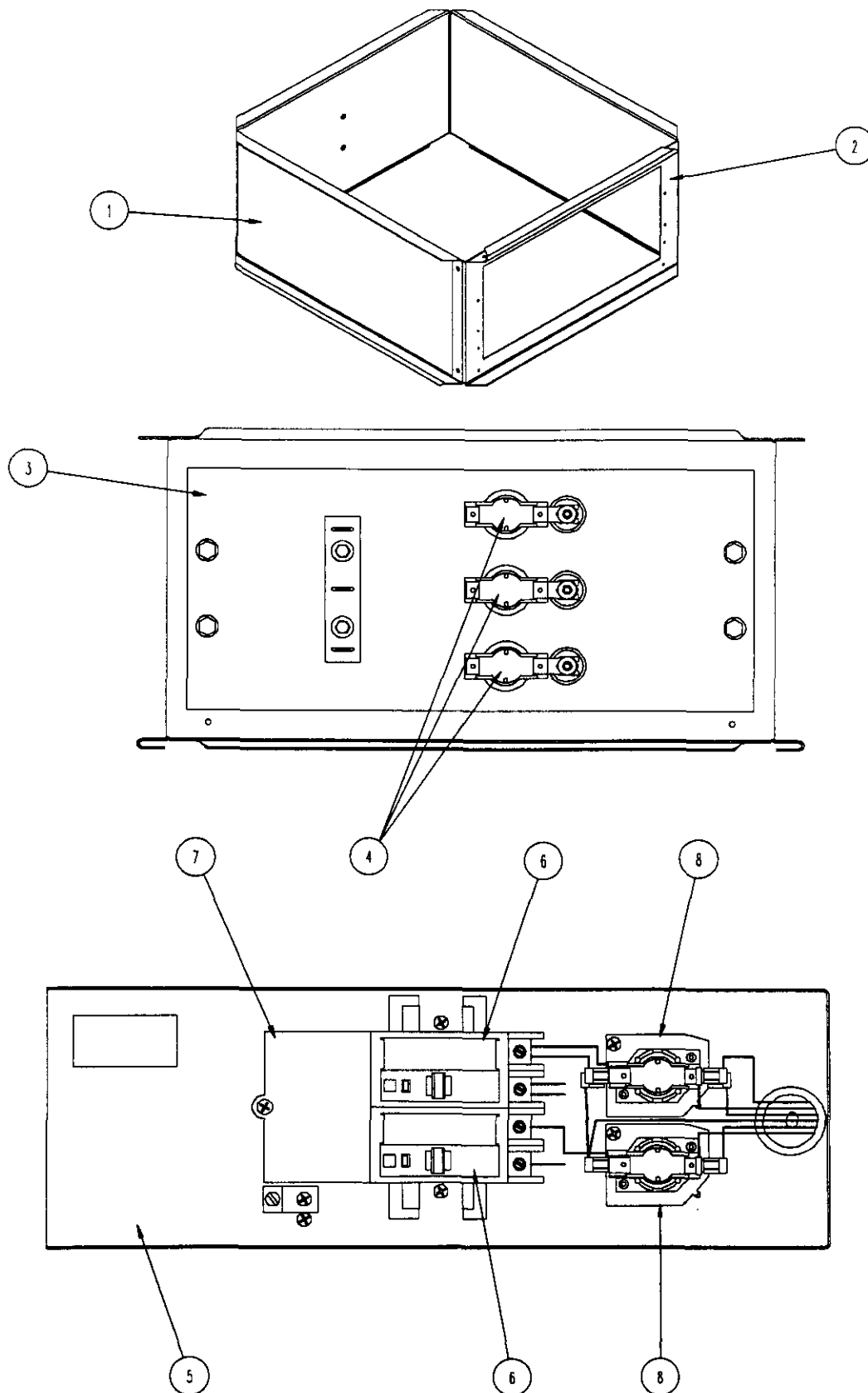


BARD MANUFACTURING COMPANY
Bryan, Ohio 43506

Since 1914...Moving ahead, just as planned.

Manual: 2110-154
File: Tab 7
Date: 05-26-98

FUNCTIONAL COMPONENTS



MIS-1244

FUNCTIONAL COMPONENTS

Drawing No.	Part No.	Description	EH3GSVA-A05C	EH3GSVA-A09C	EH3GSVA-A14C
1	116-223	Heater Package Wrapper	X	X	X
2	116-225	Heater Package Front	X	X	X
3	8604-092	4.5 KW Heat Strip 240V	X		
3	8604-093	9 KW Heat Strip 240V		X	
3	8604-114	14 KW Heat Strip 240V			X
4	8402-056	Limit Control L150-3.5	1	2	3
5	116-224	Heater Package Control Panel	X	X	X
6	8615-036	Circuit Breaker	X		X
6	8615-040	Circuit Breaker		X	X
7	8615-047	Circuit Breaker Terminal Block			X
8	8201-057	Time Delay Relay H30-75 C1-40	X		X
8	8201-058	Time Delay Relay H1-30 C45-70		X	X
NS	142-069	Fill Plate	X	X	
NS	4106-100	Wiring Diagram	X		
NS	4106-110	Wiring Diagram		X	
NS	4106-120	Wiring Diagram			X