

---

# REPLACEMENT PARTS MANUAL

---

## Wall-Mounted Packaged Air Conditioner

### Models:

W30AY-A	W36AY-A	W30AYDA	W36AYDA
W30AY-B	W36AY-B	W30AYDB	W36AYDB
W30AY-C	W36AY-C	W30AYDC	W36AYDC
W30AY-D	W36AYRC		W36AYDV
W30AY-F	W36AY-D		
	W36AY-E		
	W36AY-F		

---

## Contents

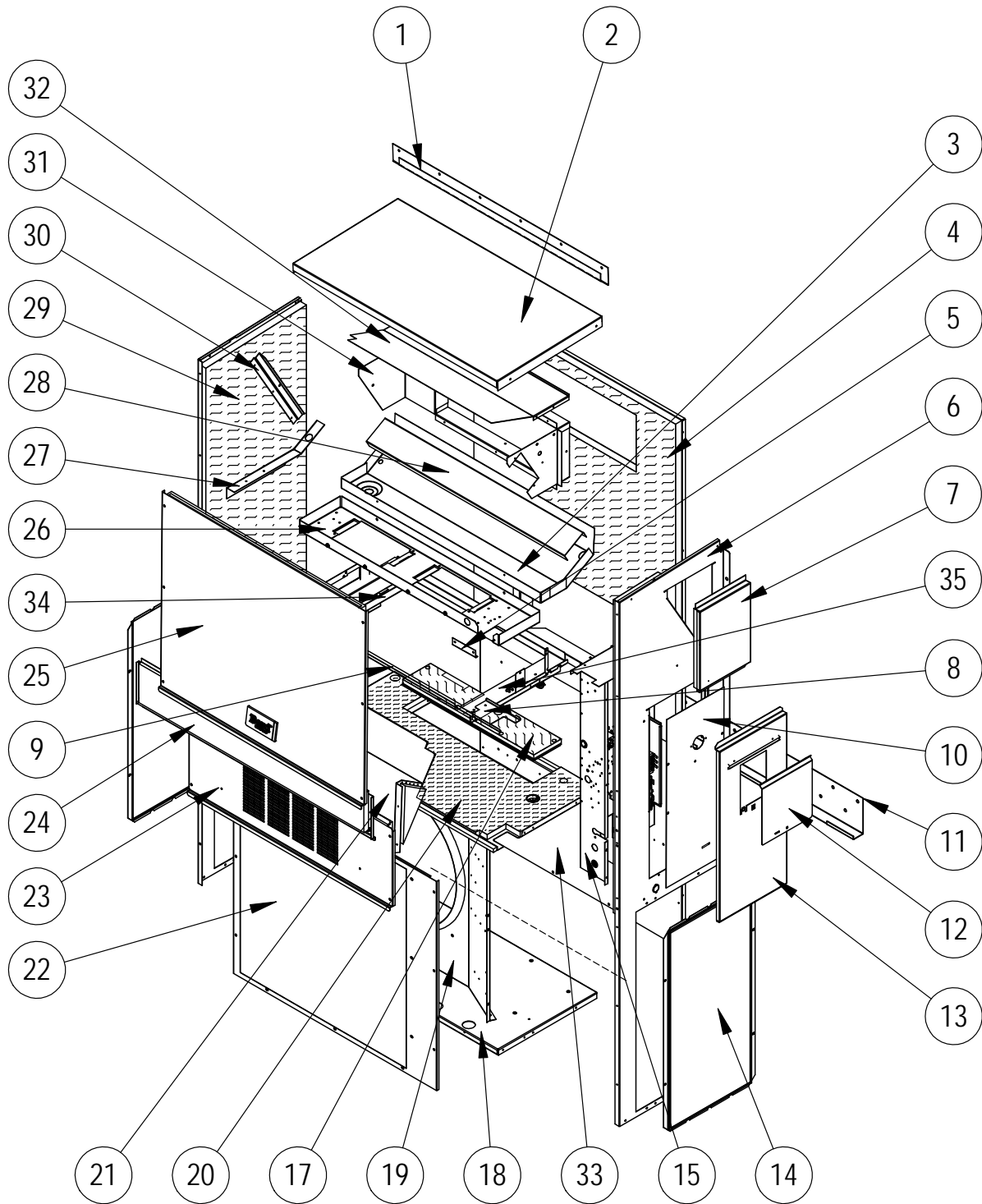
Description	Page	Description	Page
Cabinet Components – Standard & Dehum.		Blower Assembly	
♦ Exploded View .....	2	♦ Exploded View .....	14
♦ Usage List .....	3	♦ Usage List .....	14
♦ Usage List .....	4		
Functional Components		<b>General Notes</b>	
♦ Exploded View .....	6	➤ Revised and/or additional pages may be issued from time to time.	
♦ Usage List – Standard .....	7	➤ A complete and current manual consists of pages shown in the following contents section.	
♦ Usage List – Dehum. ....	8		
EEV Controller Assembly		<b>Important</b>	
♦ Exploded View .....	9	➤ Contact the installing and/or local Bard distributor for all parts requirements. Make sure you have the complete model and serial number available from the unit rating plates.	
♦ Usage List .....	9		
Control Panel – Standard			
♦ Layout View .....	10		
♦ Usage List .....	11		
Control Panel – Dehum.			
♦ Layout View .....	12		
♦ Usage List .....	13		



Bard Manufacturing Company, Inc.  
Bryan, Ohio 43506  
www.bardhvac.com

Manual: 2110-1473  
Supersedes: **NEW**  
Date: 6-29-23

# CABINET COMPONENTS - STANDARD & DEHUMIDIFICATION



This drawing to be used for reference for pages 3 and 4

SEXP-1102

# CABINET COMPONENTS – STANDARD & DEHUMIDIFICATION

Dwg No.	Part Number	Description	W30AY-A, B, D	W30AY-C, F	W30AYDA, B	W30AYDC	W36AY-A, B, D, E	W36AY-C, F, RC	W36AYDA, B	W36AYDC, V
1	113-149-*BX ①	Top Rain Flashing	X	X	X	X	X	X	X	X
1	113-360BX ②	Top Rain Flashing	X	X	X	X	X	X	X	X
1	113-149-4BX ③	Top Rain Flashing	X	X	X	X	X	X	X	X
2	507-308-*BX ①	Top	X	X	X	X	X	X	X	X
2	507-319BX ②	Top	X	X	X	X	X	X	X	X
2	507-320BX ③	Top	X	X	X	X	X	X	X	X
3	123-127BX	Drain Pan	X	X	X	X	X	X	X	X
3	123-141BX ②③	Drain Pan	X	X	X	X	X	X	X	X
4	509-451BX	Upper Back	X	X	X	X	X	X	X	X
4	509-455BX ②	Upper Back	X	X	X	X	X	X	X	X
4	509-453BX ③	Upper Back	X	X	X	X	X	X	X	X
5	105-1302BX	Grommet Retainer	X	X	X	X	X	X	X	X
6	501-933-*BX ①	Right Side	X	X	X	X	X	X	X	X
6	501-994BX ②	Right Side	X	X	X	X	X	X	X	X
6	501-937BX ③	Right Side	X	X	X	X	X	X	X	X
7	543-175-*BX ①	Right Side Cover Plate (Outer)	X	X	X	X	X	X	X	X
7	543-185BX ②	Right Side Cover Plate (Outer)	X	X	X	X	X	X	X	X
7	543-184BX ③	Right Side Cover Plate (Outer)	X	X	X	X	X	X	X	X
8	137X1101BX	Filter Fill Plate	X	X	X	X	X	X	X	X
9	131-194BX	Filter Partition Bracket	X	X	X	X	X	X	X	X
10	132-104BX	Control Panel Cover (Inner)	X		X		X		X	
10	132-172BX	Control Panel Cover (Inner)		X		X		X		X
11	113-140BX	Bottom Mounting Bracket	X	X	X	X	X	X	X	X
12	153-218BX ①	Disconnect Access Door	X	X	X	X	X	X	X	X
12	153-405BX ②	Disconnect Access Door	X	X	X	X	X	X	X	X
12	153-387BX ③	Disconnect Access Door	X	X	X	X	X	X	X	X
13	533-228BX ①	Control Panel Cover (Outer)	X	X	X	X	X	X	X	X
13	533-235BX ②	Control Panel Cover (Outer)	X	X	X	X	X	X	X	X
13	533-236BX ③	Control Panel Cover (Outer)	X	X	X	X	X	X	X	X
14	118-124-*BX ①	Side Grille	2	2	2	2	2	2	2	2
14	118-140BX ②	Side Grille	2	2	2	2	2	2	2	2
14	118-141BX ③	Side Grille	2	2	2	2	2	2	2	2
15	Control Panel Assembly	See <b>Control Panel</b> on pages 10 – 13	X	X	X	X	X	X	X	X
17	536-498BX	Cond. Partition Block Off Plate	X	X	X	X	X	X	X	X
17	536-877BX ②	Cond. Partition Block Off Plate	X	X	X	X	X	X	X	X
18	127-471BX	Lower Base	X	X	X	X	X	X	X	X
18	127-528BX ②	Lower Base	X	X	X	X	X	X	X	X
19	125-081BX	Fan Shroud	X	X	X	X	X	X	X	X
19	125-083BX ②	Fan Shroud	X	X	X	X	X	X	X	X
20	521X527BX	Condenser Partition	X	X	X	X	X	X	X	X
20	521-552BX ②	Condenser Partition	X	X	X	X	X	X	X	X
21	FAD-NE3	Fresh Air Damper Assembly	X	X	X	X	X	X	X	X

*Continued on page 4*

- ① Exterior cabinet parts are manufactured with various paint color options. To ensure the proper paint color is received, include the complete model and serial number of the unit for which cabinet parts are being ordered.
- ② Exterior cabinet parts are manufactured from stainless steel Code "S"
- ③ Exterior cabinet parts are manufactured from aluminum Code "A"

# CABINET COMPONENTS – STANDARD & DEHUMIDIFICATION

Dwg No.	Part Number	Description	W30AY-A, B, D	W30AY-C, F	W30AYDA, B	W30AYDC	W36AY-A, B, D, E	W36AY-C, F, RC	W36AYDA, B	W36AYDC, V
<i>Continued from page 3</i>										
22	118-103-*BX ①	Condenser Grille	X	X	X	X	X	X	X	X
22	118-108BX ②	Condenser Grille	X	X	X	X	X	X	X	X
22	118-145BX ③	Condenser Grille	X	X	X	X	X	X	X	X
23	553-523-*BX ①	Vent Option Door	X	X	X	X	X	X	X	X
23	553-540-*BX ①	Vent Option Door with ERV	X	X	X	X	X	X	X	X
23	553-665-*BX ①	Vent Option Door with CRV or ECON-S	X	X	X	X	X	X	X	X
23	553-549BX ②	Vent Option Door	X	X	X	X	X	X	X	X
23	553-557BX ②	Vent Option Door with ERV	X	X	X	X	X	X	X	X
23	553-694BX ②	Vent Option Door with CRV or ECON-S	X	X	X	X	X	X	X	X
23	553-550BX ③	Vent Option Door	X	X	X	X	X	X	X	X
23	553-558BX ③	Vent Option Door with ERV	X	X	X	X	X	X	X	X
23	553-695BX ③	Vent Option Door with CRV or ECON-S	X	X	X	X	X	X	X	X
24	553-524-*BX ①	Filter Door	X	X	X	X	X	X	X	X
24	553-553BX ②	Filter Door	X	X	X	X	X	X	X	X
24	553-554BX ③	Filter Door	X	X	X	X	X	X	X	X
25	514-241-*BX ①	Upper Front	X	X	X	X	X	X	X	X
25	514-238BX ②	Upper Front	X	X	X	X	X	X	X	X
25	514-239BX ③	Upper Front	X	X	X	X	X	X	X	X
26	121X467BX	Blower Partition	X	X	X	X	X	X	X	X
27	105X850BX	Side Support	X	X	X	X	X	X	X	X
28	137-685BX	Bottom Evaporator Fill	X	X			X	X		
28	137-722BX	Bottom Evaporator Fill			X	X			X	X
29	501-934-*BX ①	Left Side	X	X	X	X	X	X	X	X
29	501-995BX ②	Left Side	X	X	X	X	X	X	X	X
29	501-940BX ③	Left Side	X	X	X	X	X	X	X	X
30	147-044BX	Evaporator Support	X	X	X	X	X	X	X	X
31	111X247BX	Outlet Air Frame Assembly	X	X	X	X	X	X	X	X
32	135X123BX	Heat Shield	X	X	X	X	X	X	X	X
33	109-450BX	Lower Back	X	X	X	X	X	X	X	X
33	109-454BX ②	Lower Back	X	X	X	X	X	X	X	X
33	109-452BX ③	Lower Back	X	X	X	X	X	X	X	X
34	131-190BX	Filter Tray Angle	X	X	X	X	X	X	X	X
35	131X189BX	Filter Partition	X	X	X	X	X	X	X	X
NS	135-329BX	Air Baffle	X	X			X	X		
NS	5252-033	Bard Nameplate	X	X	X	X	X	X	X	X

① Exterior cabinet parts are manufactured with various paint color options. To ensure the proper paint color is received, include the complete model and serial number of the unit for which cabinet parts are being ordered.

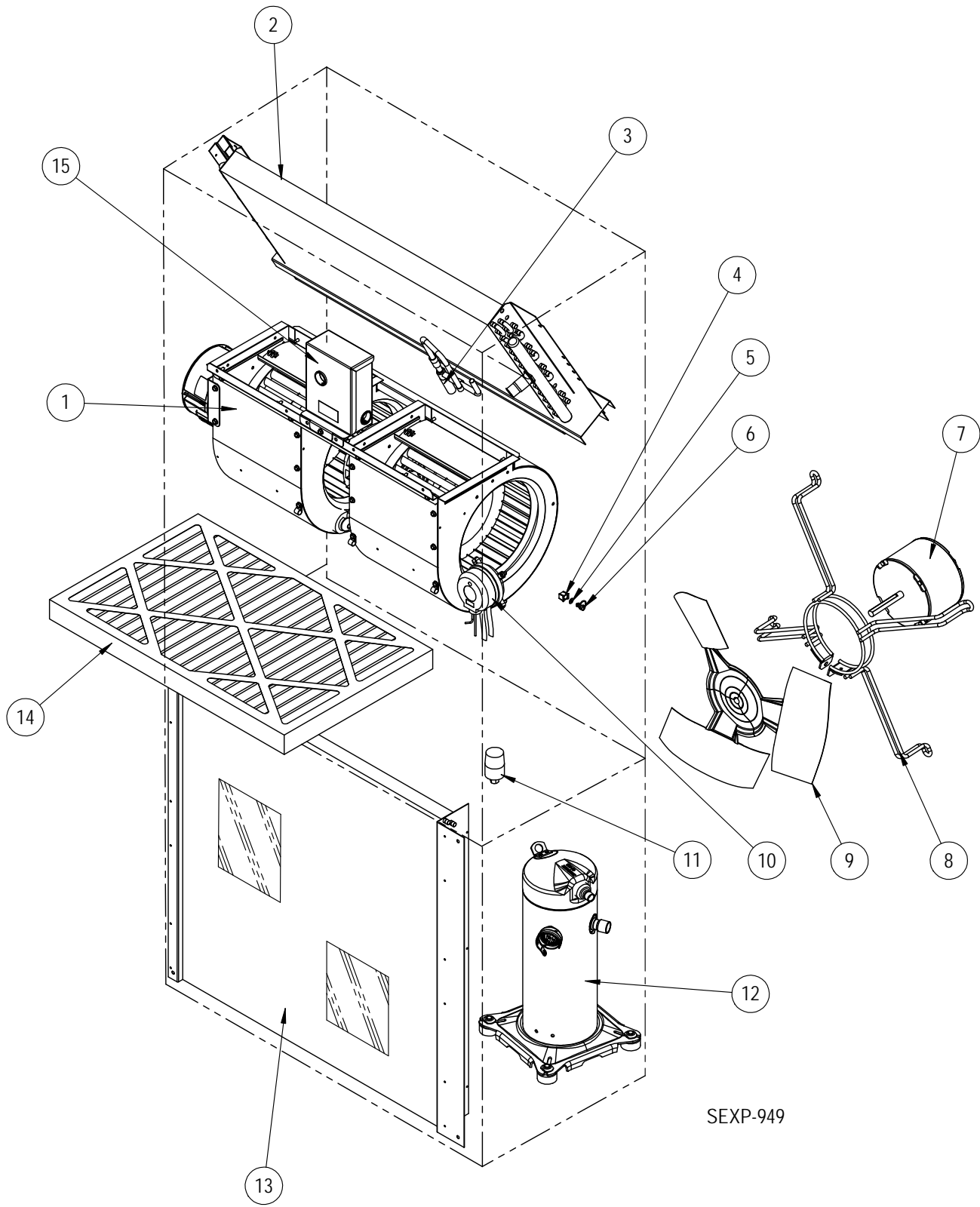
② Exterior cabinet parts are manufactured from stainless steel Code "S"

③ Exterior cabinet parts are manufactured from aluminum Code "A"

Refer to drawing on page 2

*This page intentionally left blank*

# FUNCTIONAL COMPONENTS



This drawing to be used for reference for pages 7 and 8

## FUNCTIONAL COMPONENTS - STANDARD

Dwg No.	Part Number	Description	W30AY-A	W30AY-B	W30AY-C	W30AY-D	W30AY-F	W36AY-A	W36AY-B	W36AY-C	W36AYRC	W36AY-D	W36AY-E	W36AY-F
1	900-360-001BX	Blower Assembly	X	X		X	X							
1	900-361-001BX	Blower Assembly			X									
1	900-360-002BX	Blower Assembly						X	X			X	X	X
1	900-361-002BX	Blower Assembly								X				
2	917-0355BX	Evaporator Coil w/Distributor Assy.	X	X	X	X	X							
2	917-0356BX	Evaporator Coil - Coated w/Distributor Assy.	X	X	X	X	X							
2	917-0357BX	Evaporator Coil w/Distributor Assy.						X	X	X	X	X	X	X
2	917-0358BX	Evaporator Coil - Coated w/Distributor Assy.						X	X	X	X	X	X	X
3	800-0456BX	Distributor Assembly						X	X	X	X	X	X	X
3	800-0479BX	Distributor Assembly	X	X	X	X	X							
4	1171-023	1/4" Receptacle	X	X	X	X	X	X	X	X	X	X	X	X
5	1171-024	1/4" Turn Retainer	X	X	X	X	X	X	X	X	X	X	X	X
6	1171-022	1/4" Turn Fastener	X	X	X	X	X	X	X	X	X	X	X	X
7	8103-029BX	Condenser Motor	X	X		X	X	X	X			X	X	X
7	8103-030BX	Condenser Motor			X					X	X			
8	8200-001BX	Fan Motor Mount	X	X	X	X	X	X	X	X	X	X	X	X
8	8200-050BX ①	Stainless Steel Fan Motor Mount	X	X	X	X	X	X	X	X	X	X	X	X
9	5151-045BX	Fan Blade	X	X	X	X	X	X	X	X	X	X	X	X
9	5151C045BX ①	Coated Fan Blade	X	X	X	X	X	X	X	X	X	X	X	X
10	CMC-31	Dirty Filter Switch Kit	X	X	X	X	X	X	X	X	X	X	X	X
11	CMA-41	Low Ambient Control (Screw On) ②	X	X	X	X	X	X	X	X	X	X	X	X
12	8000-277BX	Compressor	X											
12	8000-365BX	Compressor		X										
12	8000-366BX	Compressor			X		X							
12	8000-438BX	Compressor				X								
12	8000-278BX	Compressor					X							
12	8000-283BX	Compressor						X					X	
12	8000-342BX	Compressor							X	X				X
12	8000-439BX	Compressor									X			
13	5051-203BX	Condenser Coil	X	X	X	X	X							
13	5054-203BX	Condenser Coil - Coated	X	X	X	X	X							
13	5051-202BX	Condenser Coil						X	X	X	X	X	X	X
13	5054-202BX	Condenser Coil - Coated						X	X	X	X	X	X	X
14	7004-019	Air Filter 1" Throw-Away (16x30x1)	X	X	X	X	X	X	X	X	X	X	X	X
14	7003-031	Air Filter 1" Washable ② (16x30x1)	X	X	X	X	X	X	X	X	X	X	X	X
14	7004-026	Air Filter 2" Pleated ② (16x30x2)	X	X	X	X	X	X	X	X	X	X	X	X
14	7004-048	Air Filter 2" Pleated MERV 11 ② (16x30x2)	X	X	X	X	X	X	X	X	X	X	X	X
14	7004-062	Air Filter 2" Pleated MERV 13 ② (16x30x2)	X	X	X	X	X	X	X	X	X	X	X	X
NS	8406-142BX	High Pressure Switch (Screw On)	X	X	X	X	X	X	X	X	X	X	X	X
NS	8406-140BX	Low Pressure Switch (Screw On)	X	X	X	X	X	X	X	X	X	X	X	X
NS	5201-021BX	Filter Drier	X	X	X	X	X	X	X	X	X	X	X	X
NS	5451-024	Tubing Isolation Grommet	2	2	2	2	2	2	2	2	2	2	2	2
NS	6031-009	Coremax Valve Core	2	2	2	2	2	2	2	2	2	2	2	2
NS	1171-028	Filter Door Clip	2	2	2	2	2	2	2	2	2	2	2	2
NS	1171-057	Filter Door Screw	2	2	2	2	2	2	2	2	2	2	2	2
NS	1171-027	Filter Door Screw Retainer	2	2	2	2	2	2	2	2	2	2	2	2
NS	CMC-29	Freeze Thermostat Kit	X	X	X	X	X	X	X	X	X	X	X	X
NS	910-2189BX	460V Transformer Assembly									X			

NS – Not Shown

① – Used with stainless steel cabinet option

② – Optional on these models

# FUNCTIONAL COMPONENTS – DEHUMIDIFICATION

Dwg No.	Part Number	Description	W30AYDA	W30AYDB	W30AYDC	W36AYDA	W36AYDB	W36AYDC	W36AYDV
1	900-360-001BX	Blower Assembly	X	X					
1	900-361-001BX	Blower Assembly			X				
1	900-360-002BX	Blower Assembly				X	X		
1	900-361-002BX	Blower Assembly						X	X
2	917-0364BX	Evaporator Coil w/Distributor Assy.	X	X	X				
2	917-0365BX	Evaporator Coil - Coated w/Distributor Assy.	X	X	X				
2	917-0359BX	Evaporator Coil w/Distributor Assy.				X	X	X	X
2	917-0360BX	Evaporator Coil - Coated w/Distributor Assy.				X	X	X	X
3	800-0460BX	Distributor Assembly	X	X	X	X	X	X	X
3	5651S245BX	Electronic Expansion Valve	X	X	X	X	X	X	X
3	905-0732BX	Electronic Expansion Valve Assembly	X	X	X	X	X	X	X
4	1171-023	1/4" Receptacle	X	X	X	X	X	X	X
5	1171-024	1/4" Turn Retainer	X	X	X	X	X	X	X
6	1171-022	1/4" Turn Fastener	X	X	X	X	X	X	X
7	8103-029BX	Condenser Motor	X	X		X	X		
7	8103-030BX	Condenser Motor			X			X	X
8	8200-001BX	Fan Motor Mount	X	X	X	X	X	X	X
8	8200-050BX ①	Stainless Steel Fan Motor Mount	X	X	X	X	X	X	X
9	5151-045BX	Fan Blade	X	X	X	X	X	X	X
9	5151C045BX ①	Coated Fan Blade	X	X	X	X	X	X	X
10	CMC-31	Dirty Filter Switch Kit	X	X	X	X	X	X	X
11	CMA-41	Low Ambient Control (Flare) ②	X	X	X	X	X	X	X
12	8000-277BX	Compressor	X						
12	8000-365BX	Compressor		X					
12	8000-366BX	Compressor			X				
12	8000-278BX	Compressor				X			
12	8000-283BX	Compressor					X		
12	8000-342BX	Compressor						X	X
13	5051-203BX	Condenser Coil	X	X	X				
13	5054-203BX	Condenser Coil - Coated	X	X	X				
13	5051-202BX	Condenser Coil				X	X	X	X
13	5054-202BX	Condenser Coil - Coated				X	X	X	X
14	7004-019	Air Filter 1" Throw-Away (16x30x1)	X	X	X	X	X	X	X
14	7003-031	Air Filter 1" Washable ② (16x30x1)	X	X	X	X	X	X	X
14	7004-026	Air Filter 2" Pleated ② (16x30x2)	X	X	X	X	X	X	X
14	7004-048	Air Filter 2" Pleated MERV 11 ② (16x30x2)	X	X	X	X	X	X	X
14	7004-062	Air Filter 2" Pleated MERV 13 ② (16x30x2)	X	X	X	X	X	X	X
15	910-2050-001BX	EEV Controller Assembly (see page 9 for breakdown)	X	X	X	X	X	X	X
NS	8406-142BX	High Pressure Switch (Flare)	X	X	X	X	X	X	X
NS	8406-140BX	Low Pressure Switch (Flare)	X	X	X	X	X	X	X
NS	8406-158BX	Low Pressure Transducer	X	X	X	X	X	X	X
NS	3000-1603BX	Transducer Wire Assembly – Connects to Transducer	X	X	X	X	X	X	X
NS	5201-021BX	Filter Drier	X	X	X	X	X	X	X
NS	5650-051BX	Dehumidification Valve	X	X	X	X	X	X	X
NS	5651-219BX	Check Valve	X	X	X	X	X	X	X
NS	5451-024	Tubing Isolation Grommet	2	2	2	2	2	2	2
NS	6031-009	Coremax Valve Core	2	2	2	2	2	2	2
NS	1171-028	Filter Door Clip	2	2	2	2	2	2	2
NS	1171-057	Filter Door Screw	2	2	2	2	2	2	2
NS	1171-027	Filter Door Screw Retainer	2	2	2	2	2	2	2

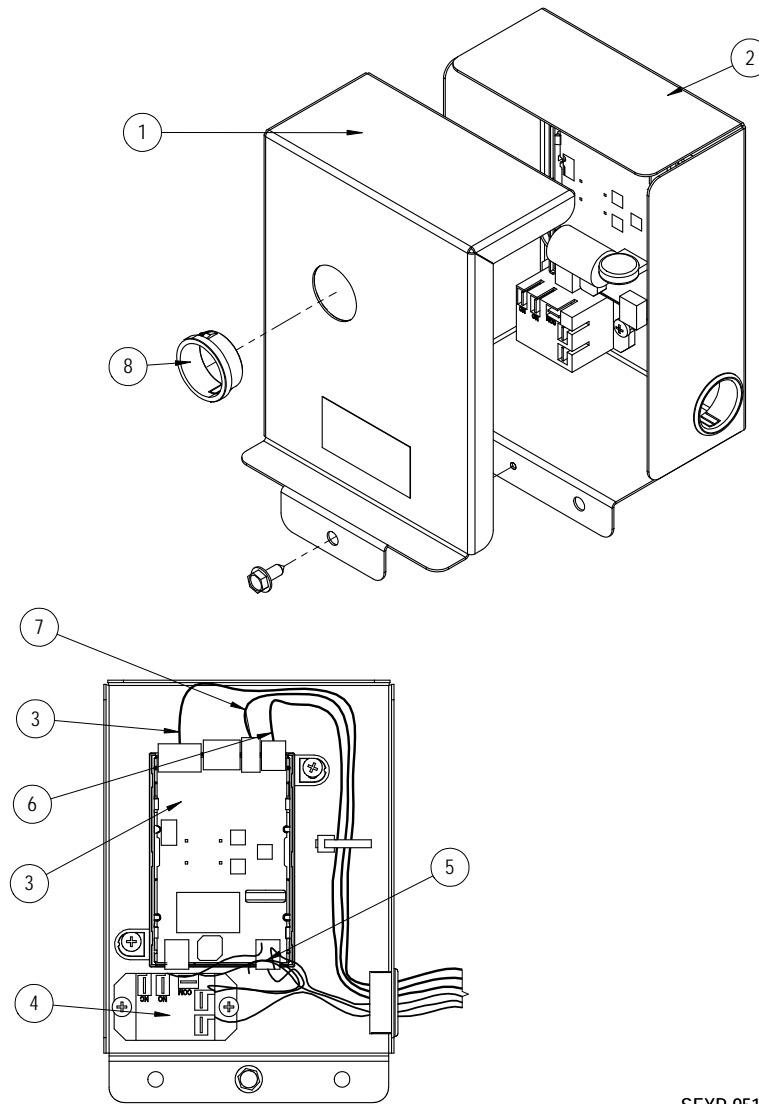
NS – Not Shown

① – Used with stainless steel cabinet option

② – Optional on these models



# EEV CONTROLLER ASSEMBLY

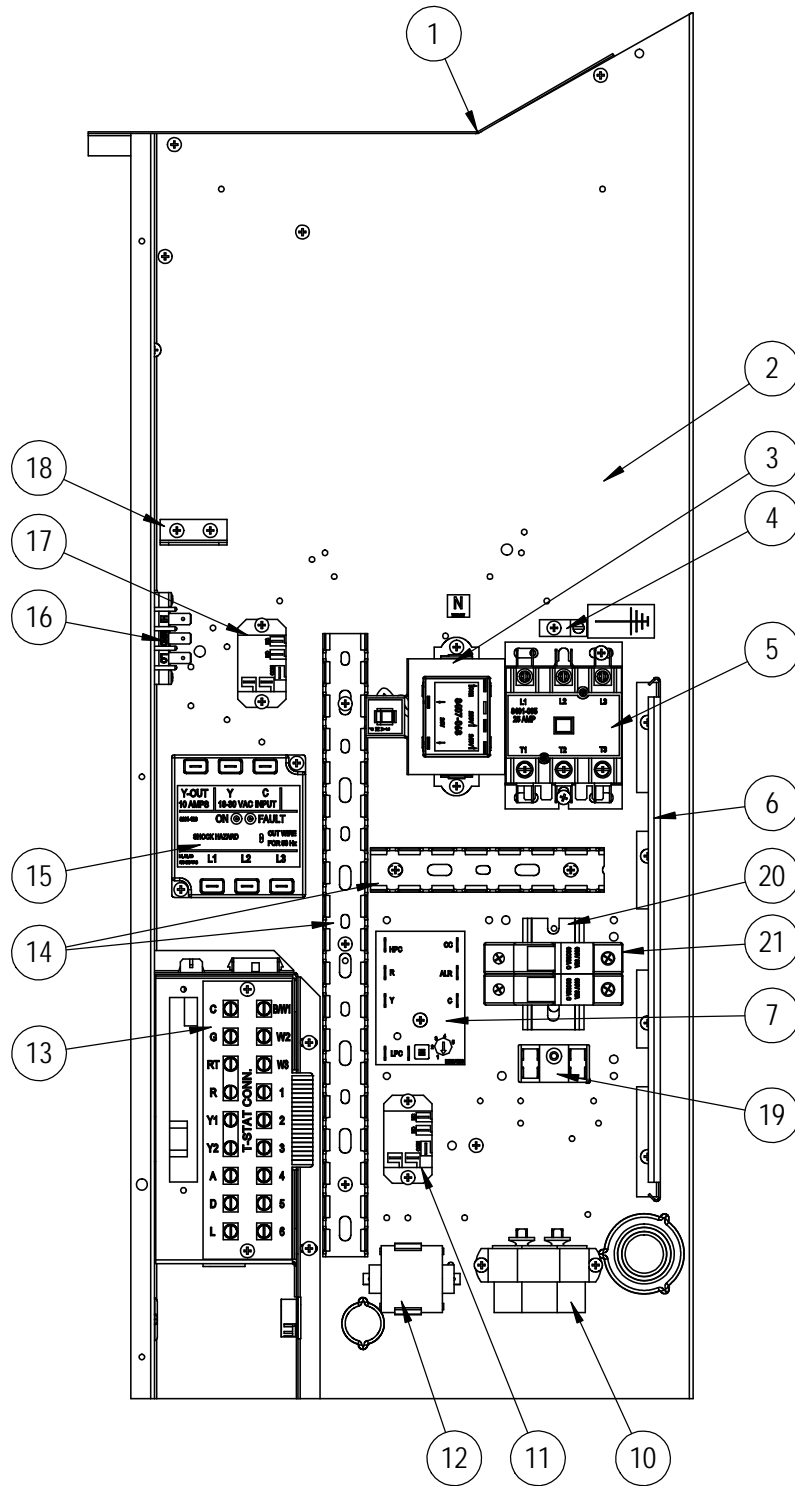


SEXP-951

910-2050-001BX

Dwg No.	Part Number	Description	
1	143-219BX	EEV Control Box Cover	X
2	127-572BX	EEV Control Box	X
3	8301-079-0001BX	EEV Control Module & Stator Cable	X
3	5651-246BX	EEV Stator Cable Only	X
4	8201-130BX	Control Relay	X
5	3000-1602BX	Main Wire Assembly	X
6	3000-1611BX	Transducer Wire Assembly – Connects to EEV Board	X
NS	3000-1603BX	Transducer Wire Assembly – Connects to Transducer	
7	8408-056BX	EEV Thermistor	X
8	8611-075	Clear Snap Plug	X

# CONTROL PANEL



SEXP-908 A

# CONTROL PANEL - STANDARD

Dwg No.	Part Number	Description	W30AY-A	W30AY-B	W30AY-C	W30AY-D	W30AY-F	W36AY-A	W36AY-B	W36AY-C	W36AYRC	W36AY-D	W36AY-E	W36AY-F
1	117X137BX	Control Panel Top	X	X	X	X	X	X	X	X	X	X	X	X
2	117X407BX	Control Panel	X	X	X	X	X	X	X	X	X	X	X	X
3	8407-068BX	Transformer	X	X		X	X	X				X	X	X
3	8407-069BX	Transformer			X					X	X			
4	8611-006	Ground Terminal	X	X	X	X	X	X	X	X	X	X	X	X
5	8401-033BX	Compressor Contactor	X			X	X					X		
5	8401-035BX	Compressor Contactor		X	X		X		X	X	X		X	X
6	135-122BX	Wire Shield	X	X	X	X	X	X	X	X	X	X	X	X
7	8201-171BX	Compressor Control Module	X	X	X	X	X	X	X	X	X	X	X	X
9	8607-017BX	Terminal Block (Optional)	X	X	X	X	X	X	X	X	X	X	X	X
10	8552-052BX	Compressor Capacitor	X				X							
10	8552-002BX	Outdoor Motor Capacitor		X	X		X		X	X	X		X	X
10	8552-062BX	Compressor Capacitor				X						X		
11	8201-130BX	Alarm Relay (Optional)	X	X	X	X	X	X	X	X	X	X	X	X
12	8551-004BX	Start Device (PTCR) (Optional)	X			X		X				X		
13	8607-063BX	Low Voltage Terminal Strip	X	X	X	X	X	X	X	X	X	X	X	X
14	8611-140-1400	Cable Duct – 14" Piece	X	X	X	X	X	X	X	X	X	X	X	X
14	8611-140-0500	Cable Duct – 5" Piece	X	X	X	X	X	X	X	X	X	X	X	X
15	8201-174BX	Phase Monitor		X	X		X		X	X	X		X	X
16	8607-042	Blower Speed Terminal	X	X	X	X	X	X	X	X	X	X	X	X
17	8201-130BX	Blower Control Relay	X	X	X	X	X	X	X	X	X	X	X	X
18	141-595BX	Plug Support Bracket	X	X	X	X	X	X	X	X	X	X	X	X
19	8607-017BX	Terminal Block									X			
20	8611-210BX	DIN Rail									X			
21	8614-058	Fuse Block									X			
21	8614-047	3.2A Fuse									2			
NS	8615-038BX	Circuit Breaker 35A 2 Pole (Opt.) ①	X					X				X		
NS	8615-054BX	Circuit Breaker 20A 3 Pole (Opt.) ①		X										
NS	8615-051BX	Circuit Breaker 25A 3 Pole (Opt.) ①							X					
NS	8615-052BX	Circuit Breaker 30A 3 Pole (Opt.) ①				X							X	
NS	8615-095BX	Toggle Disconnect (Optional) ①			X		X			X	X			X
NS	8607-013BX	Terminal Block 2 Pole					X							X
NS	113-601BX	Terminal Block Bracket					X							X
NS	4213-124	Wiring Diagram	X			X		X				X		
NS	4213-224	Wiring Diagram		X					X				X	
NS	4213-324	Wiring Diagram			X					X				
NS	4213-327	Wiring Diagram									X			
NS	4213-624	Wiring Diagram					X							X
NS	3000-1598BX	Blower Power Plug	X	X	X	X	X	X	X	X	X	X	X	X
NS	3000-1599BX	Blower Speed Plug	X	X	X	X	X	X	X	X	X	X	X	X
NS	3000-1524BX	Vent Jumper Plug	X	X	X	X	X	X	X	X	X	X	X	X
NS	3000-1224BX	Compressor Plug/Harness	X			X		X				X		
NS	3000-1231BX	Compressor Plug/Harness		X	X		X		X	X	X		X	X
NS	3003-126BX	Control Panel Harness	X			X		X				X		
NS	3003-127BX	Control Panel Harness		X	X			X	X	X			X	
NS	3003-128BX	Control Panel Harness					X							X
NS	3000-1608BX	Low Voltage Terminal Block Harness	X	X	X	X	X	X	X	X	X	X	X	X
NS	910-2047BX	Complete Low Voltage Box Assembly (Sheet Metal, LVTS & Wire Harness)	X	X	X	X	X	X	X	X	X	X	X	X

NS = Not Shown

① Circuit breakers listed are for units without electric heat, "OZ" models. See heater replacement parts manual for units with electric heat.

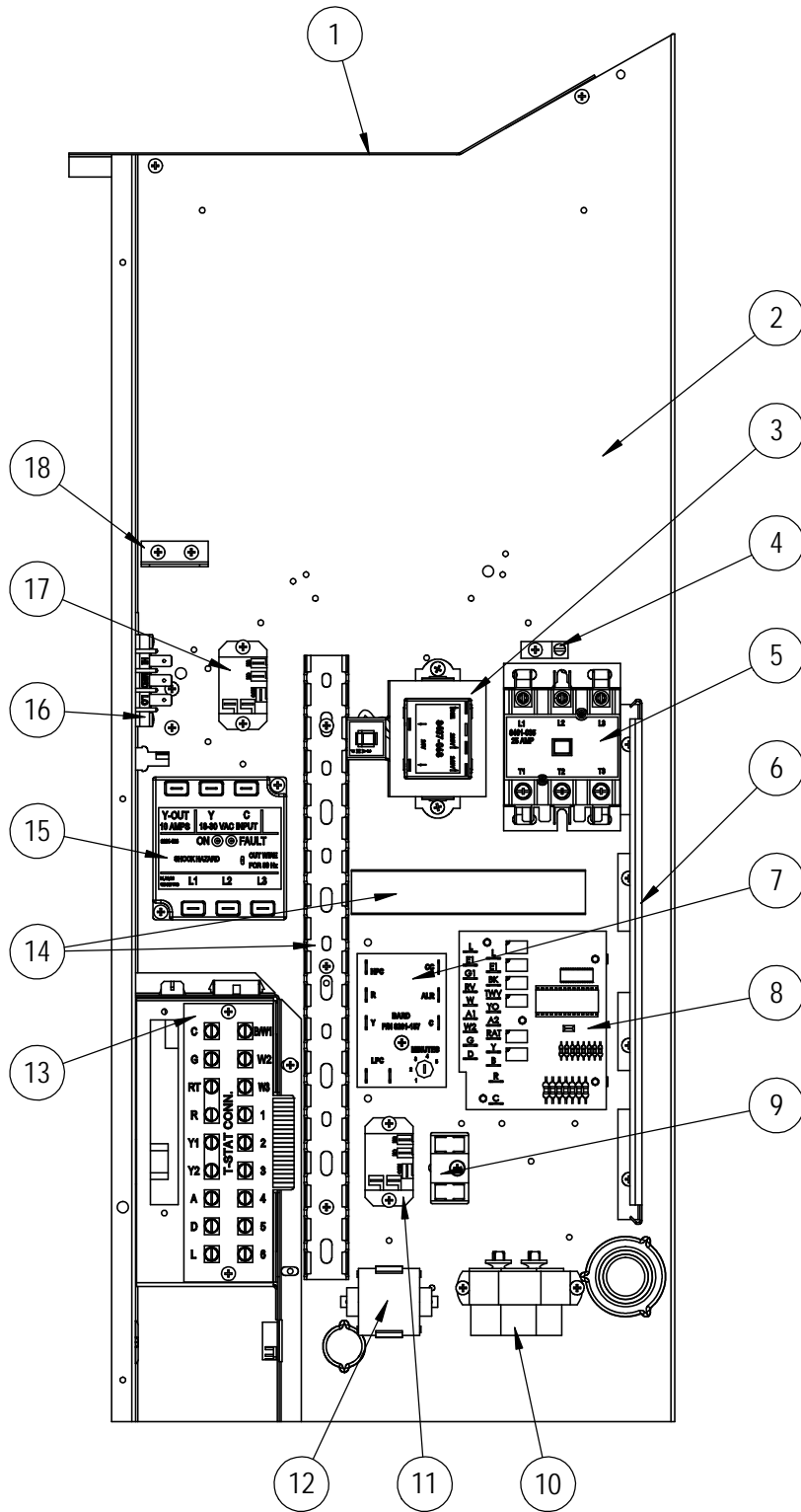
Manual

2110-1473

Page

11 of 14

# CONTROL PANEL



SEXP-948

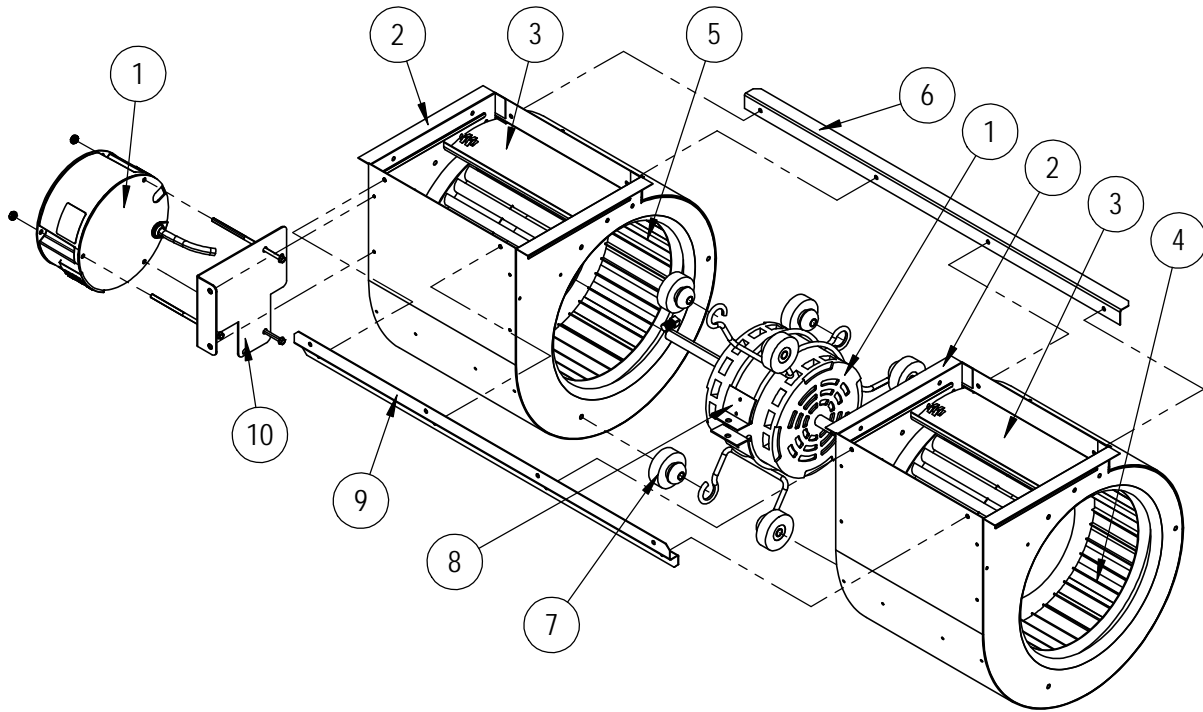
## CONTROL PANEL – DEHUMIDIFICATION

Dwg No.	Part Number	Description	W30AYDA	W30AYDB	W30AYDC	W36AYDA	W36AYDB	W36AYDC	W36AYDV
1	117X137BX	Control Panel Top	X	X	X	X	X	X	X
2	117-407BX	Control Panel	X	X	X	X	X	X	X
3	8407-068BX	Transformer	X	X		X	X		
3	8407-069BX	Transformer			X			X	X
4	8611-006	Ground Terminal	X	X	X	X	X	X	X
5	8401-033BX	Compressor Contactor	X			X			
5	8401-035BX	Compressor Contactor		X	X		X	X	X
6	135-122BX	Wire Shield	X	X	X	X	X	X	X
7	8201-171BX	Compressor Control Module	X	X	X	X	X	X	X
8	8201-113BX	Dehum. Logic Control	X	X	X	X	X	X	X
9	8607-017BX	Terminal Block (Optional)	X	X	X	X	X	X	X
10	8552-052BX	Compressor Capacitor	X			X			
10	8552-002BX	Outdoor Motor Capacitor		X	X		X	X	X
11	8201-130BX	Dehumidification Control Relay	X	X	X	X	X	X	X
12	8551-004BX	Start Device (PTCR) (Optional)	X			X			
13	8607-063BX	Low Voltage Terminal Strip	X	X	X	X	X	X	X
14	8611-140-1400	Cable Duct – 14" Piece	X	X	X	X	X	X	X
14	8611-140-0500	Cable Duct – 5" Piece	X	X	X	X	X	X	X
15	8201-174BX	Phase Monitor		X	X		X	X	X
16	8607-042	Blower Speed Terminal	X	X	X	X	X	X	X
17	8201-130BX	Blower Control Relay	X	X	X	X	X	X	X
18	141-595BX	Plug Support Bracket	X	X	X	X	X	X	X
NS	8615-038BX	Circuit Breaker 35A 2 Pole (Optional) ①	X			X			
NS	8615-054BX	Circuit Breaker 20A 3 Pole (Optional) ①		X					
NS	8615-051BX	Circuit Breaker 25A 3 Pole (Optional) ①					X		
NS	8615-095BX	Toggle Disconnect (Optional) ①			X			X	X
NS	4213-125	Wiring Diagram	X			X			
NS	4213-225	Wiring Diagram		X			X		
NS	4213-325	Wiring Diagram			X			X	
NS	4213-625	Wiring Diagram							X
NS	3000-1598BX	Blower Power Plug	X	X	X	X	X	X	X
NS	3000-1599BX	Blower Speed Plug	X	X	X	X	X	X	X
NS	3000-1524BX	Vent Jumper Plug	X	X	X	X	X	X	X
NS	3000-1224BX	Compressor Plug/Harness	X			X			
NS	3000-1231BX	Compressor Plug/Harness		X	X		X	X	X
NS	3003-129BX	Control Panel Harness	X			X			
NS	3003-130BX	Control Panel Harness		X	X		X	X	X
NS	3000-1608BX	Low Voltage Terminal Block Harness	X	X	X	X	X	X	X
NS	910-2047BX	Complete Low Voltage Box Assembly (Sheet Metal, LVTS & Wire Harness)	X	X	X	X	X	X	X

NS = Not Shown

① Circuit breakers listed are for units without electric heat, "OZ" models. See heater replacement parts manual for units with electric heat.

# BLOWER ASSEMBLY



SEXP-909

Dwg No.	Part Number	Description	900-360-001BX	900-360-002BX	900-361-001BX	900-361-002BX
1	8106-068-0150BX	Blower Motor & Control (230/208V)	X			
1	8106-068-0152BX	Blower Motor & Control (230/208V)		X		
1	8106-069-0151BX	Blower Motor & Control (460V)			X	
1	8106-069-0153BX	Blower Motor & Control (460V)				X
1	C8106-068-0150	Programmed Control Only (230/208V)	0			
1	C8106-068-0152	Programmed Control Only (230/208V)		0		
1	C8106-069-0151	Programmed Control Only (460V)			0	
1	C8106-069-0153	Programmed Control Only (460V)				0
2	151-111BX	Housing	2	2	2	2
3	144-174BX	Diffuser	2	2	2	2
4	5152-090BX	Wheel CW	X	X	X	X
5	5152-091BX	Wheel CCW	X	X	X	X
6	105-870BX	Back Brace	X	X	X	X
7	5451-011	Grommets	6	6	6	6
8	8200-031BX	Motor Mount	X	X	X	X
9	103-401BX	Front Brace	X	X	X	X
10	113-721BX	Motor Control Bracket	X	X	X	X

X – Standard Component  
 0 – Optional Component