
REPLACEMENT PARTS MANUAL

Wall Mount Air Conditioner

Models:

| | | | |
|---------|---------|---------|---------|
| W42AC-A | W48AC-A | W60AC-A | W72AC-A |
| W42AC-B | W48AC-B | W60AC-B | W72AC-B |
| W42AC-C | W48AC-C | W60AC-C | W72AC-C |
| W42AC-E | W48AC-E | W60AC-E | W72AC-F |
| W42AC-F | W48AC-F | W60AC-F | W72ACDA |
| W42ACDA | W48ACDA | W60ACDA | W72ACDB |
| W42ACDB | W48ACDB | W60ACDB | W72ACDC |
| W42ACDC | W48ACDC | W60ACDC | W72ACRC |
| W42ACRC | W48ACRC | W60ACRC | |

Contents

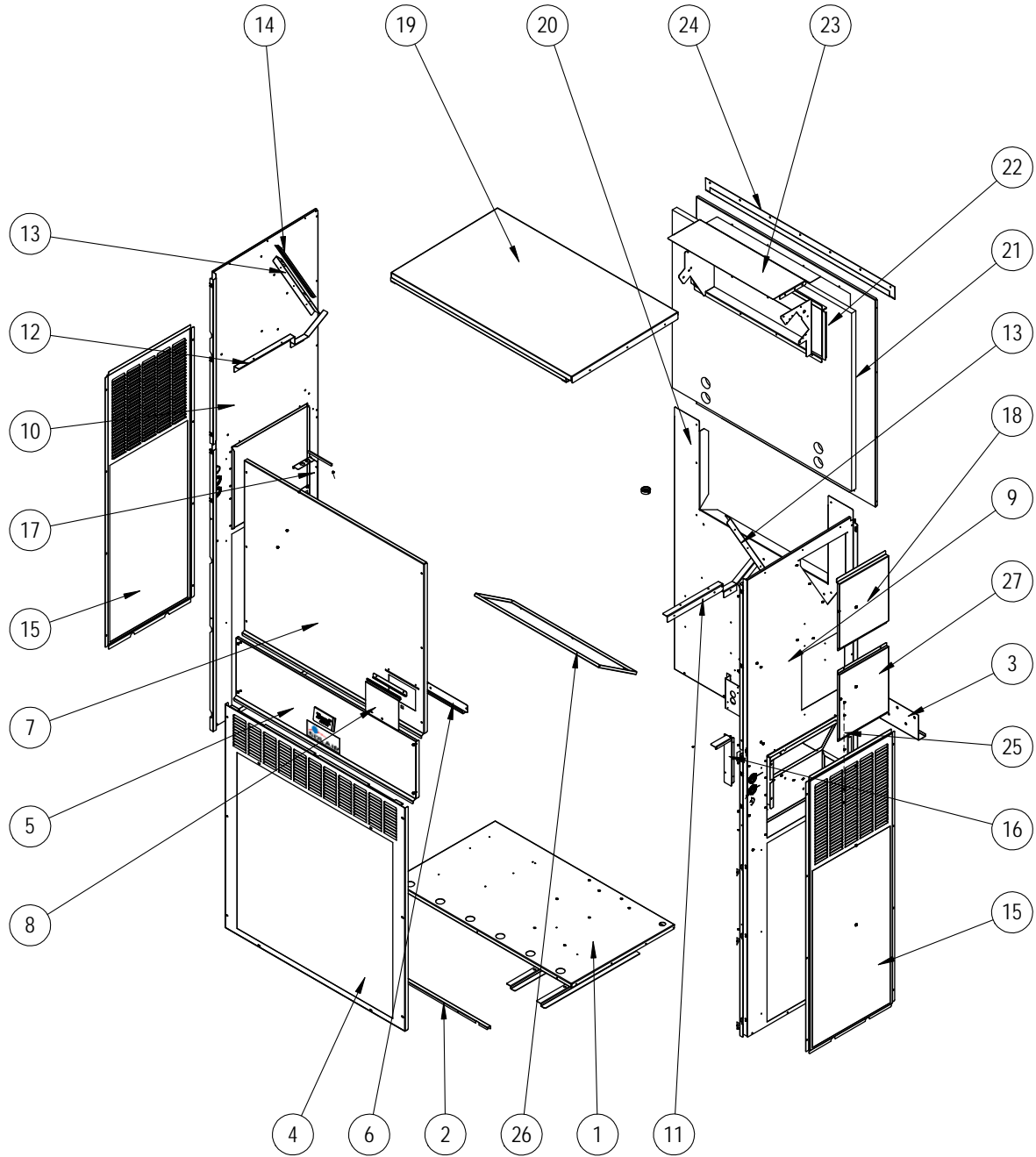
| Description | Page | Description | Page |
|---|------|--|------|
| External Parts – Standard & Dehum. | | Control Panel – Standard & Dehum. | |
| ♦ Exploded View | 2 | ♦ Layout View | 14 |
| ♦ Usage List | 3 | ♦ Usage List | 15 |
| ♦ Usage List | 4 | ♦ Usage List | 16 |
| Internal Parts – Standard & Dehum. | | Blower Assembly | |
| ♦ Exploded View | 6 | ♦ Exploded View | 17 |
| ♦ Usage List | 7 | ♦ Usage List | 17 |
| ♦ Usage List | 8 | | |
| Functional Components – Standard & Dehum. | | General Notes | |
| ♦ Exploded View | 10 | ➤ Revised and/or additional pages may be issued from time to time. | |
| ♦ Usage List | 11 | ➤ A complete and current manual consists of pages shown in the following contents section. | |
| ♦ Usage List | 12 | | |
| EEV Controller Assembly | | Important | |
| ♦ Exploded View | 13 | ➤ Contact the installing and/or local Bard distributor for all parts requirements. Make sure to have the complete model and serial number available from the unit rating plates. | |
| ♦ Usage List | 13 | | |



Bard Manufacturing Company, Inc.
Bryan, Ohio 43506
www.bardhvac.com

Manual: 2110-1452K
Supersedes: 2110-1452J
Date: 1-27-23

EXTERNAL PARTS - STANDARD & DEHUMIDIFICATION



SEXP-932 B

This drawing to be used for reference for pages 3 and 4

EXTERNAL PARTS – STANDARD & DEHUMIDIFICATION

| Dwg No. | Part Number | Description | W42AC-A, B, C, E, F, RC | W42ACDA, B, C | W48AC-A, B, C, E, F, RC | W48ACDA, B, C |
|---------|---------------|-----------------------------|-------------------------|---------------|-------------------------|---------------|
| 1 | S127-574 | Unit Base | X | X | X | X |
| 1 | S127-584 ③ | Unit Base | 0 | 0 | 0 | 0 |
| 2 | 113-762 | Front Base Bracket | X | X | X | X |
| 2 | 113-797 ③ | Front Base Bracket | 0 | 0 | 0 | 0 |
| 3 | 113-140 | Bottom Mounting Bracket | X | X | X | X |
| 4 | 119-125-* ① | Front Grille | X | X | X | X |
| 4 | 119-148 ② | Front Grille | 0 | 0 | 0 | 0 |
| 4 | 119-135 ③ | Front Grille | 0 | 0 | 0 | 0 |
| 5 | S533-301-* ① | Control Panel Cover (Outer) | X | X | X | X |
| 5 | S533-309 ② | Control Panel Cover (Outer) | 0 | 0 | 0 | 0 |
| 5 | S533-310 ③ | Control Panel Cover (Outer) | 0 | 0 | 0 | 0 |
| 6 | S165-608-* ① | Rain Channel | X | X | X | X |
| 6 | S165-609 ② | Rain Channel | 0 | 0 | 0 | 0 |
| 6 | S165-610 ③ | Rain Channel | 0 | 0 | 0 | 0 |
| 7 | S515-323-* ① | Upper Front | X | X | X | X |
| 7 | S515-328 ② | Upper Front | 0 | 0 | 0 | 0 |
| 7 | S515-330 ③ | Upper Front | 0 | 0 | 0 | 0 |
| 8 | 153-717-* ① | Disconnect Access Door | X | X | X | X |
| 8 | 153-723 ② | Disconnect Access Door | 0 | 0 | 0 | 0 |
| 8 | 153-724 ③ | Disconnect Access Door | 0 | 0 | 0 | 0 |
| 9 | S501-1127-* ① | Right Side | X | X | X | X |
| 9 | S501-1128 ② | Right Side | 0 | 0 | 0 | 0 |
| 9 | S501-1129 ③ | Right Side | 0 | 0 | 0 | 0 |
| 10 | 501-1054-* ① | Left Side | X | X | X | X |
| 10 | 501-1073 ② | Left Side | 0 | 0 | 0 | 0 |
| 10 | 501-1077 ③ | Left Side | 0 | 0 | 0 | 0 |
| 11 | 105X1454 | Right Support Angle | X | X | X | X |
| 12 | 105Y1454 | Left Support Angle | X | X | X | X |
| 13 | 105-1457 | Coil Support | 2 | 2 | 2 | 2 |
| 14 | 147-055 | Coil Support Offset | X | X | X | X |
| 15 | 119-126-* ① | Side Grille | 2 | 2 | 2 | 2 |
| 15 | 119-142 ② | Side Grille | 2 | 2 | 2 | 2 |
| 15 | 119-136 ③ | Side Grille | 2 | 2 | 2 | 2 |
| 16 | 105-1450 | Right Control Panel Angle | X | X | X | X |
| 17 | 105-1451 | Left Control Panel Angle | X | X | X | X |
| 18 | S543-221-* ① | Heater Access Cover | X | X | X | X |
| 18 | S543-228 ② | Heater Access Cover | 0 | 0 | 0 | 0 |
| 18 | S543-229 ③ | Heater Access Cover | 0 | 0 | 0 | 0 |
| 19 | 507-382-* ① | Top | X | X | X | X |
| 19 | 507-391 ② | Top | 0 | 0 | 0 | 0 |
| 19 | 507-392 ③ | Top | 0 | 0 | 0 | 0 |
| 20 | 109-412 | Lower Back | X | X | X | X |
| 20 | 109-418 ② | Lower Back | 0 | 0 | 0 | 0 |
| 20 | 109-422 ③ | Lower Back | 0 | 0 | 0 | 0 |
| 21 | S509-411 | Upper Back | X | X | X | X |
| 21 | S509-417 ② | Upper Back | 0 | 0 | 0 | 0 |
| 21 | S509-421 ③ | Upper Back | 0 | 0 | 0 | 0 |
| 22 | S111-299 | Outlet Air Frame Assembly | X | X | X | X |
| 23 | 535-129 | Heat Shield | X | X | X | X |
| 24 | 113-150-* ① | Top Rain Flashing | X | X | X | X |
| 24 | 113-150-4 ② | Top Rain Flashing | 0 | 0 | 0 | 0 |
| 24 | 113-359 ③ | Top Rain Flashing | 0 | 0 | 0 | 0 |
| 25 | 539-406 | Fresh Air Damper Assembly | X | X | X | X |
| 25 | 543-222 | Intake Blank Off Plate | 0 | 0 | 0 | 0 |
| 26 | 543-220 | Exhaust Blank Off Plate | X | X | X | X |
| 27 | S543-248-* ① | Access Cover | X | X | X | X |
| 27 | S543-250 ② | Access Cover | 0 | 0 | 0 | 0 |
| 27 | S543-251 ③ | Access Cover | 0 | 0 | 0 | 0 |
| NS | 5252-033 | Bard Nameplate | X | X | X | X |

① Exterior cabinet parts are manufactured with various paint color options. To ensure the proper paint color is received, include the complete model and serial number of the unit for which cabinet parts are being ordered.

X – Standard Component
0 – Optional Component

② Exterior cabinet parts are manufactured from aluminum Code "A". #24 - Top rain flashing not available in aluminum; order 113-150-4 (Buckeye Gray).

③ Exterior cabinet parts are manufactured from stainless steel Code "S"

EXTERNAL PARTS – STANDARD & DEHUMIDIFICATION

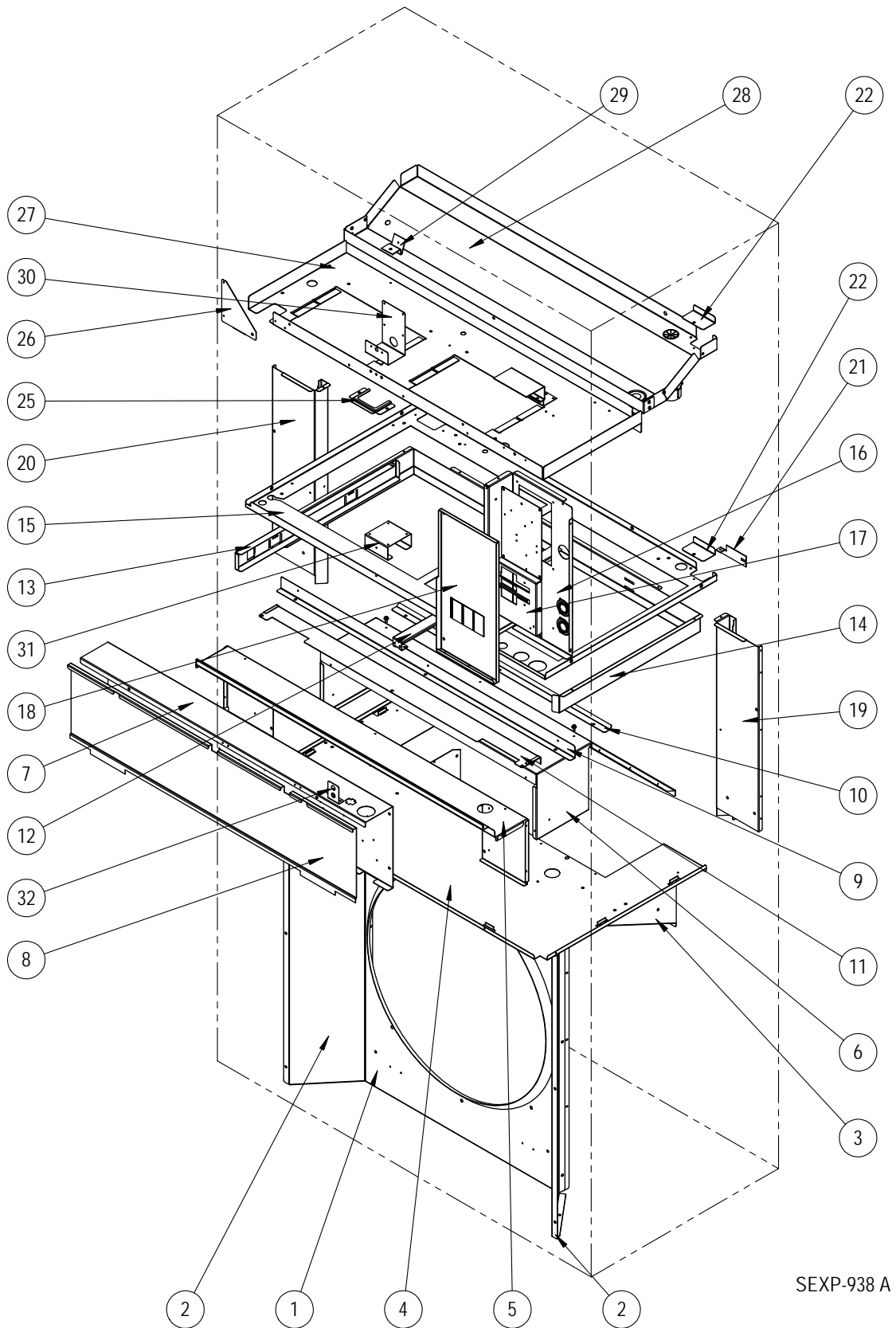
| Dwg No. | Part Number | Description | W60AC-A, B, C, E, F, RC | W60ACDA, B, C | W72AC-A, B, C, F, RC | W72ACDA, B, C |
|---------|---------------|-----------------------------|-------------------------|---------------|----------------------|---------------|
| 1 | S127-574 | Unit Base | X | X | X | X |
| 1 | S127-584 ③ | Unit Base | 0 | 0 | 0 | 0 |
| 2 | 113-762 | Front Base Bracket | X | X | X | X |
| 2 | 113-797 ③ | Front Base Bracket | 0 | 0 | 0 | 0 |
| 3 | 113-140 | Bottom Mounting Bracket | X | X | X | X |
| 4 | 119-127-* ① | Front Grille | X | X | X | X |
| 4 | 119-149 ② | Front Grille | 0 | 0 | 0 | 0 |
| 4 | 119-137 ③ | Front Grille | 0 | 0 | 0 | 0 |
| 5 | S533-301-* ① | Control Panel Cover (Outer) | X | X | X | X |
| 5 | S533-309 ② | Control Panel Cover (Outer) | 0 | 0 | 0 | 0 |
| 5 | S533-310 ③ | Control Panel Cover (Outer) | 0 | 0 | 0 | 0 |
| 6 | S165-608-* ① | Rain Channel | X | X | X | X |
| 6 | S165-609 ② | Rain Channel | 0 | 0 | 0 | 0 |
| 6 | S165-610 ③ | Rain Channel | 0 | 0 | 0 | 0 |
| 7 | S515-324-* ① | Upper Front | X | X | X | X |
| 7 | S515-329 ② | Upper Front | 0 | 0 | 0 | 0 |
| 7 | S515-331 ③ | Upper Front | 0 | 0 | 0 | 0 |
| 8 | 153-717-* ① | Disconnect Access Door | X | X | X | X |
| 8 | 153-723 ② | Disconnect Access Door | 0 | 0 | 0 | 0 |
| 8 | 153-724 ③ | Disconnect Access Door | 0 | 0 | 0 | 0 |
| 9 | S501-1130-* ① | Right Side | X | X | X | X |
| 9 | S501-1131 ② | Right Side | 0 | 0 | 0 | 0 |
| 9 | S501-1132 ③ | Right Side | 0 | 0 | 0 | 0 |
| 10 | 501-1056-* ① | Left Side | X | X | X | X |
| 10 | 501-1075 ② | Left Side | 0 | 0 | 0 | 0 |
| 10 | 501-1079 ③ | Left Side | 0 | 0 | 0 | 0 |
| 11 | 105X1454 | Right Support Angle | X | X | X | X |
| 12 | 105Y1454 | Left Support Angle | X | X | X | X |
| 13 | 105-1455 | Coil Support | 2 | 2 | 2 | 2 |
| 14 | 147-054 | Coil Support Offset | X | X | X | X |
| 15 | 119-128-* ① | Side Grille | 2 | 2 | 2 | 2 |
| 15 | 119-143 ② | Side Grille | 2 | 2 | 2 | 2 |
| 15 | 119-138 ③ | Side Grille | 2 | 2 | 2 | 2 |
| 16 | 105-1450 | Right Control Panel Angle | X | X | X | X |
| 17 | 105-1451 | Left Control Panel Angle | X | X | X | X |
| 18 | S543-221-* ① | Heater Access Cover | X | X | X | X |
| 18 | S543-228 ② | Heater Access Cover | 0 | 0 | 0 | 0 |
| 18 | S543-229 ③ | Heater Access Cover | 0 | 0 | 0 | 0 |
| 19 | 507-382-* ① | Top | X | X | X | X |
| 19 | 507-391 ② | Top | 0 | 0 | 0 | 0 |
| 19 | 507-392 ③ | Top | 0 | 0 | 0 | 0 |
| 20 | 109-414 | Lower Back | X | X | X | X |
| 20 | 109-420 ② | Lower Back | 0 | 0 | 0 | 0 |
| 20 | 109-424 ③ | Lower Back | 0 | 0 | 0 | 0 |
| 21 | S509-413 | Upper Back | X | X | X | X |
| 21 | S509-419 ② | Upper Back | 0 | 0 | 0 | 0 |
| 21 | S509-423 ③ | Upper Back | 0 | 0 | 0 | 0 |
| 22 | S111-299 | Outlet Air Frame Assembly | X | X | X | X |
| 23 | 535-129 | Heat Shield | X | X | X | X |
| 24 | 113-150-* ① | Top Rain Flashing | X | X | X | X |
| 24 | 113-150-4 ② | Top Rain Flashing | 0 | 0 | 0 | 0 |
| 24 | 113-359 ③ | Top Rain Flashing | 0 | 0 | 0 | 0 |
| 25 | 539-406 | Fresh Air Damper Assembly | X | X | X | X |
| 25 | 543-222 | Intake Blank Off Plate | 0 | 0 | 0 | 0 |
| 26 | 543-220 | Exhaust Blank Off Plate | X | X | X | X |
| 27 | S543-248-* ① | Access Cover | X | X | X | X |
| 27 | S543-250 ② | Access Cover | 0 | 0 | 0 | 0 |
| 27 | S543-251 ③ | Access Cover | 0 | 0 | 0 | 0 |
| NS | 5252-033 | Bard Nameplate | X | X | X | X |

① Exterior cabinet parts are manufactured with various paint color options. To ensure the proper paint color is received, include the complete model and serial number of the unit for which cabinet parts are being ordered.

X – Standard Component
O – Optional Component

This page intentionally left blank

INTERNAL PARTS – STANDARD & DEHUMIDIFICATION



INTERNAL PARTS – STANDARD & DEHUMIDIFICATION

| Dwg No. | Part Number | Description | W42AC-A, B, E | W42AC-C, F, RC | W42ACDA, B | W42ACDC | W48AC-A, B, E | W48AC-C, F, RC | W48ACDA, B | W48ACDC |
|---------|---------------------|--|---------------|----------------|------------|---------|---------------|----------------|------------|---------|
| 1 | 125-089 | Fan Shroud | X | X | X | X | X | X | X | X |
| 1 | 125-093 ① | Fan Shroud | 0 | 0 | 0 | 0 | 0 | 0 | 0 | 0 |
| 2 | S125-090 | Fan Shroud Side Access Cover | 2 | 2 | 2 | 2 | 2 | 2 | 2 | 2 |
| 2 | S125-094 ① | Fan Shroud Side Access Cover | 2 | 2 | 2 | 2 | 2 | 2 | 2 | 2 |
| 3 | 121-586 | Condenser Partition Insert | X | X | X | X | X | X | X | X |
| 3 | 121-600 ① | Condenser Partition Insert | 0 | 0 | 0 | 0 | 0 | 0 | 0 | 0 |
| 4 | 121-585 | Condenser Partition | X | X | X | X | X | X | X | X |
| 4 | 121-599 ① | Condenser Partition | 0 | 0 | 0 | 0 | 0 | 0 | 0 | 0 |
| 5 | 521-630 | Front Exhaust Partition | X | X | X | X | X | X | X | X |
| 6 | 521-587 | Exhaust Partition | X | X | X | X | X | X | X | X |
| 7 | Control Panel Assy. | See Control Panel Assy. Drawing & Parts List | X | X | X | X | X | X | X | X |
| 8 | S133-330 | Control Panel Cover (Inner) | X | X | X | X | X | X | X | X |
| 9 | 105-1453 | Front Vent Guide Rail | X | X | X | X | X | X | X | X |
| 10 | 105-1452 | Vent Guide Rail | X | X | X | X | X | X | X | X |
| 11 | S135-409 | Field Wire Shield | X | X | X | X | X | X | X | X |
| 12 | 131-168 | Filter Support Bracket | 2 | 2 | 2 | 2 | 2 | 2 | 2 | 2 |
| 13 | 131-170 | Filter Slide | X | X | X | X | X | X | X | X |
| 14 | 131-169 | Filter Rack Frame | X | X | X | X | X | X | X | X |
| 15 | 121-583 | Filter Partition | X | X | X | X | X | X | X | X |
| 16 | 117-412 | Upper Control Panel | X | X | X | X | X | X | X | X |
| 17 | 127-575 | Circuit Breaker Base | X | | X | | X | | X | |
| 17 | 127-585 | Circuit Breaker Base - 460V | | X | | X | | X | | X |
| 18 | S133-303 | Upper Control Panel Cover | X | | X | | X | | X | |
| 18 | S133-304 | Upper Control Panel Cover - 460V | | X | | X | | X | | X |
| 19 | 135X393 | Right Copper Chase | X | X | X | X | X | X | X | X |
| 19 | 135X397 ① | Right Copper Chase | 0 | 0 | 0 | 0 | 0 | 0 | 0 | 0 |
| 20 | 135Y393 | Left Copper Chase | X | X | X | X | X | X | X | X |
| 20 | 135Y397 ① | Left Copper Chase | 0 | 0 | 0 | 0 | 0 | 0 | 0 | 0 |
| 21 | 113-796 | Copper Retainer | 2 | 2 | 2 | 2 | 2 | 2 | 2 | 2 |
| 22 | 137-920 | Copper Fill Plate | 2 | 2 | 2 | 2 | 2 | 2 | 2 | 2 |
| 25 | 113-765 | Grommet Retainer | X | X | X | X | X | X | X | X |
| 26 | 141-492 | Blower Partition Support | X | X | X | X | X | X | X | X |
| 27 | 121-582 | Blower Partition | X | X | X | X | X | X | X | X |
| 28 | 523-161 | Drain Pan | X | X | X | X | X | X | X | X |
| 28 | 523-162 ①② | Drain Pan | 0 | 0 | 0 | 0 | 0 | 0 | 0 | 0 |
| 29 | 113-768 | EEV mounting Bracket | | | X | X | | | X | X |
| 30 | 113-787 | Airflow Switch Bracket | 0 | 0 | 0 | 0 | 0 | 0 | 0 | 0 |
| 31 | 113-788 | Filter Switch Bracket | 0 | 0 | 0 | 0 | 0 | 0 | 0 | 0 |
| 32 | 113-789 | Filter Switch Light Bracket | 0 | 0 | 0 | 0 | 0 | 0 | 0 | 0 |

- ① Internal parts are manufactured from stainless steel Code "S"
 ② For aluminum units, order 523-162 stainless steel drain pan.

X – Standard Component
 0 – Optional Component

INTERNAL PARTS – STANDARD & DEHUMIDIFICATION

| Dwg No. | Part Number | Description | W60AC-A, B, E | W60AC-C, F, RC | W60ACDA, B | W60ACDC | W72AC-A, B | W72AC-C, F, RC | W72ACDA, B | W72ACDC |
|---------|---------------------|--|---------------|----------------|------------|---------|------------|----------------|------------|---------|
| 1 | 125-091 | Fan Shroud | X | X | X | X | X | X | X | X |
| 1 | 125-095 ① | Fan Shroud | O | O | O | O | O | O | O | O |
| 2 | S125-092 | Fan Shroud Side Access Cover | 2 | 2 | 2 | 2 | 2 | 2 | 2 | 2 |
| 2 | S125-096 ① | Fan Shroud Side Access Cover | 2 | 2 | 2 | 2 | 2 | 2 | 2 | 2 |
| 3 | 121-586 | Condenser Partition Insert | X | X | X | X | X | X | X | X |
| 3 | 121-600 ① | Condenser Partition Insert | O | O | O | O | O | O | O | O |
| 4 | 121-585 | Condenser Partition | X | X | X | X | X | X | X | X |
| 4 | 121-599 ① | Condenser Partition | O | O | O | O | O | O | O | O |
| 5 | 521-630 | Front Exhaust Partition | X | X | X | X | X | X | X | X |
| 6 | 521-587 | Exhaust Partition | X | X | X | X | X | X | X | X |
| 7 | Control Panel Assy. | See Control Panel Assy. Drawing & Parts List | X | X | X | X | X | X | X | X |
| 8 | S133-330 | Control Panel Cover (Inner) | X | X | X | X | X | X | X | X |
| 9 | 105-1453 | Front Vent Guide Rail | X | X | X | X | X | X | X | X |
| 10 | 105-1452 | Vent Guide Rail | X | X | X | X | X | X | X | X |
| 11 | S135-409 | Field Wire Shield | X | X | X | X | X | X | X | X |
| 12 | 131-168 | Filter Support Bracket | 2 | 2 | 2 | 2 | 2 | 2 | 2 | 2 |
| 13 | 131-170 | Filter Slide | X | X | X | X | X | X | X | X |
| 14 | 131-169 | Filter Rack Frame | X | X | X | X | X | X | X | X |
| 15 | 121-583 | Filter Partition | X | X | X | X | X | X | X | X |
| 16 | 117-412 | Upper Control Panel | X | X | X | X | X | X | X | X |
| 17 | 127-575 | Circuit Breaker Base | X | | X | | X | | X | |
| 17 | 127-585 | Circuit Breaker Base - 460V | | X | | X | | X | | X |
| 18 | S133-303 | Upper Control Panel Cover | X | | X | | X | | X | |
| 18 | S133-304 | Upper Control Panel Cover - 460V | | X | | X | | X | | X |
| 19 | 135X393 | Right Copper Chase | X | X | X | X | X | X | X | X |
| 19 | 135X397 ① | Right Copper Chase | O | O | O | O | O | O | O | O |
| 20 | 135Y393 | Left Copper Chase | X | X | X | X | X | X | X | X |
| 20 | 135Y397 ① | Left Copper Chase | O | O | O | O | O | O | O | O |
| 21 | 113-796 | Copper Retainer | 2 | 2 | 2 | 2 | 2 | 2 | 2 | 2 |
| 22 | 137-920 | Copper Fill Plate | 2 | 2 | 2 | 2 | 2 | 2 | 2 | 2 |
| 25 | 113-765 | Grommet Retainer | X | X | X | X | X | X | X | X |
| 26 | 141-492 | Blower Partition Support | X | X | X | X | X | X | X | X |
| 27 | 121-582 | Blower Partition | X | X | X | X | X | X | X | X |
| 28 | 523-161 | Drain Pan | X | X | X | X | X | X | X | X |
| 28 | 523-162 ①② | Drain Pan | O | O | O | O | O | O | O | O |
| 29 | 113-768 | EEV mounting Bracket | | | X | X | | | X | X |
| 30 | 113-787 | Airflow Switch Bracket | O | O | O | O | O | O | O | O |
| 31 | 113-788 | Filter Switch Bracket | O | O | O | O | O | O | O | O |
| 32 | 113-789 | Filter Switch Light Bracket | O | O | O | O | O | O | O | O |

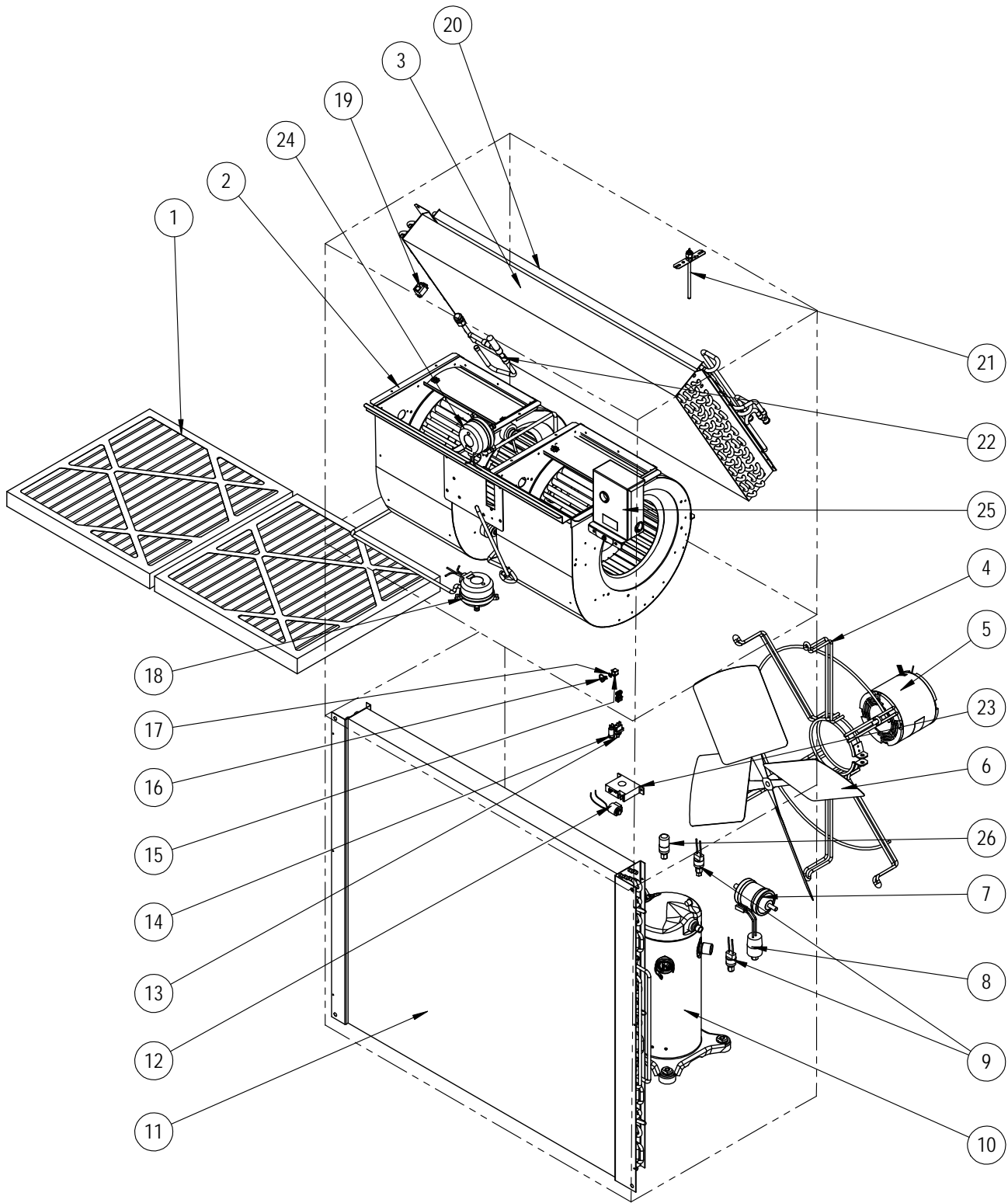
- ① Internal parts are manufactured from stainless steel Code "S"
 ② For aluminum units, order 523-162 stainless steel drain pan.

- X – Standard Component
 O – Optional Component

Refer to drawing on page 6

This page intentionally left blank

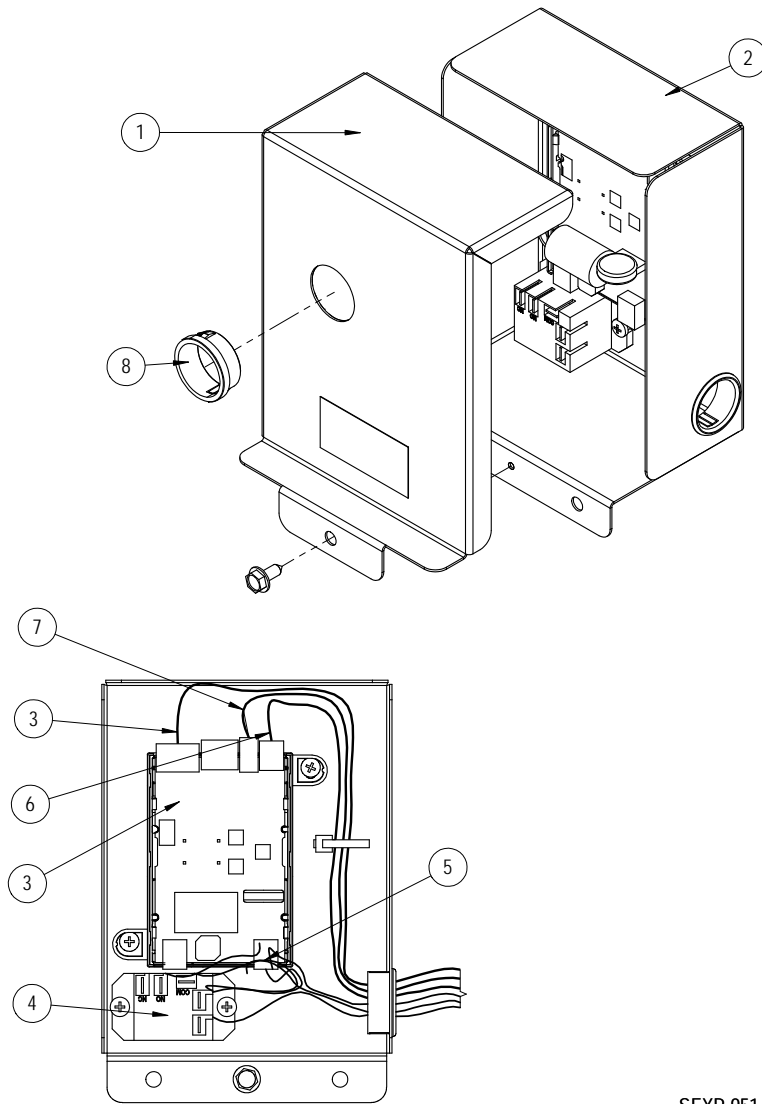
FUNCTIONAL COMPONENTS – STANDARD & DEHUMIDIFICATION



SEXP-931

This drawing to be used for reference for pages 11 and 12

EEV CONTROLLER ASSEMBLY

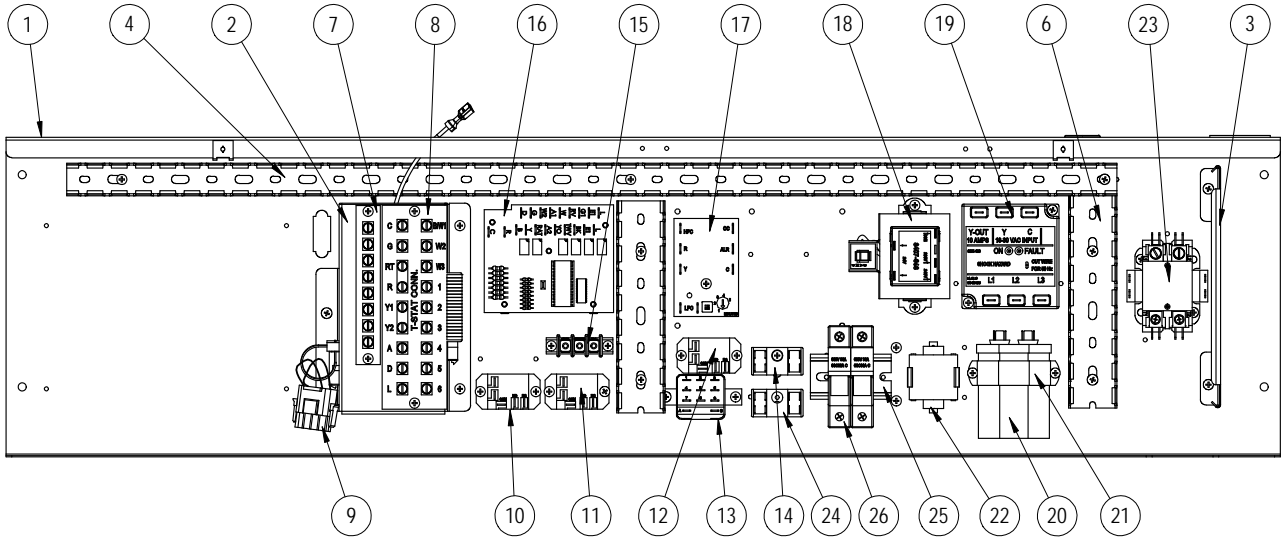


SEXP-951

S910-2050-001

| Dwg No. | Part Number | Description | |
|---------|----------------|---|---|
| 1 | 143-219 | EEV Control Box Cover | X |
| 2 | 127-572 | EEV Control Box | X |
| 3 | S8301-079-0001 | EEV Control Module & Stator Cable | X |
| 3 | 5651-246 | EEV Stator Cable Only | X |
| 4 | 8201-130 | Control Relay | X |
| 5 | 3000-1602 | Main Wire Assembly | X |
| 6 | 3000-1611 | Transducer Wire Assembly – Connects to EEV Board | X |
| NS | 3000-1603 | Transducer Wire Assembly – Connects to Transducer | |
| 7 | 8408-056 | EEV Thermistor | X |
| 8 | 8611-075 | Clear Snap Plug | X |

CONTROL PANEL – STANDARD & DEHUMIDIFICATION



SEXP-928 B

This drawing to be used for reference for pages 15 and 16

CONTROL PANEL – STANDARD & DEHUMIDIFICATION

| Dwg No. | Part Number | Description | W42AC-A | W42AC-B | W42AC-C | W42ACRC | W42AC-E | W42AC-F | W42ACDA | W42ACDB | W42ACDC | W48AC-A | W48AC-B | W48AC-C | W48ACRC | W48AC-E | W48AC-F | W48ACDA | W48ACDB | W48ACDC | |
|---------|---------------|---|---------|---------|---------|---------|---------|---------|---------|---------|---------|---------|---------|---------|---------|---------|---------|---------|---------|---------|---|
| 1 | 117-411 | Control Panel | X | X | X | X | X | X | X | X | X | X | X | X | X | X | X | X | X | X | X |
| 2 | S910-2061 | Complete Low Voltage Box Assembly (Sheet metal, Terminal Strip, & Wire Harness) | X | X | X | X | X | X | X | X | X | X | X | X | X | X | X | X | X | X | X |
| 3 | 135-394 | Wire Shield | X | X | X | X | X | X | X | X | X | X | X | X | X | X | X | X | X | X | X |
| 4 | 8611-140-3208 | Cable Duct - 32.5" | X | X | X | X | X | X | X | X | X | X | X | X | X | X | X | X | X | X | X |
| 6 | 8611-244-0608 | Cable Duct - 6.5" x 1.5" wide | 2 | 2 | 2 | 2 | 2 | 2 | 2 | 2 | 2 | 2 | 2 | 2 | 2 | 2 | 2 | 2 | 2 | 2 | 2 |
| 7 | 8607-021 | Low Voltage Terminal Strip - 8 term. | 0 | 0 | 0 | 0 | 0 | 0 | 0 | 0 | 0 | 0 | 0 | 0 | 0 | 0 | 0 | 0 | 0 | 0 | 0 |
| 8 | 8607-063 | Low Voltage Terminal Strip - 18 term. | X | X | X | X | X | X | X | X | X | X | X | X | X | X | X | X | X | X | X |
| 9 | 3000-1524 | Vent Jumper Plug (used when no vent option) | X | X | X | X | X | X | X | X | X | X | X | X | X | X | X | X | X | X | X |
| 10 | 8201-130 | Alarm Relay (Kit = CMC-35) | 0 | 0 | 0 | 0 | 0 | 0 | 0 | 0 | 0 | 0 | 0 | 0 | 0 | 0 | 0 | 0 | 0 | 0 | 0 |
| 11 | 8201-130 | Blower Speed Relay | X | X | X | X | X | X | X | X | X | X | X | X | X | X | X | X | X | X | X |
| 12 | 8201-130 | Dehumidification Control Relay | | | | | | | X | X | X | | | | | | | | X | X | X |
| 13 | 8201-159 | Dirty Filter Relay (Kit = CMC-33) | 0 | 0 | 0 | 0 | 0 | 0 | 0 | 0 | 0 | 0 | 0 | 0 | 0 | 0 | 0 | 0 | 0 | 0 | 0 |
| 14 | 8607-017 | Terminal Block (LAC Kit = CMA-39) | 0 | 0 | 0 | 0 | 0 | 0 | 0 | 0 | 0 | 0 | 0 | 0 | 0 | 0 | 0 | 0 | 0 | 0 | 0 |
| 15 | 8607-042 | Blower Speed Terminal Block | X | X | X | X | X | X | X | X | X | X | X | X | X | X | X | X | X | X | X |
| 16 | 8201-113 | Dehumidification Logic Board | | | | | | | X | X | X | | | | | | | | X | X | X |
| 17 | 8201-171BX | Compressor Control Module | X | X | X | X | X | X | X | X | X | X | X | X | X | X | X | X | X | X | X |
| 18 | 8407-068 | Transformer | X | X | | | X | X | X | X | | X | X | | | X | X | X | X | | |
| 18 | 8407-069 | Transformer | | | X | X | | | | | X | | | | X | X | | | | | X |
| 19 | 8201-174BX | Phase Monitor | | X | X | X | X | X | | X | X | | X | X | X | X | X | | X | X | |
| 20 | 8552-079 | Compressor Capacitor | X | | | | | | X | | | | | | | | | | | | |
| 20 | 8552-089 | Compressor Capacitor | | X | | | X | X | | X | | X | | | | | | X | X | | |
| 20 | 8552-005 | Outdoor Motor Capacitor | | | X | X | | | | X | | | | | X | X | | | | | |
| 20 | 8552-004 | Outdoor Motor Capacitor | | | X | X | | | | X | | | | X | X | | | | | | X |
| 21 | 8550-008 | Capacitor Strap | X | | | | | | X | | | X | | | | | | | X | | |
| 21 | 8550-003 | Capacitor Strap | | X | X | X | X | X | | X | X | | X | X | X | X | X | | X | X | |
| 22 | 8551-004 | Start Device (PTCR) (Kit = CMC-32) | 0 | | | | | | 0 | | | 0 | | | | | | 0 | | | |
| 23 | 8401-034 | Compressor Contactor | X | | | | | | X | | | X | | | | | | X | | | |
| 23 | 8401-035 | Compressor Contactor | | X | X | X | X | X | | X | X | | X | X | X | X | X | | X | X | |
| 24 | 8607-017 | Terminal Block | | | | X | | | | | | | | | X | | | | | | |
| 25 | 8611-210 | DIN Rail | | | | X | | | | | | | | | X | | | | | | |
| 26 | 8614-058 | Fuse Block | | | | X | | | | | | | | | X | | | | | | |
| 26 | 8614-046 | 5A Fuse | | | | | | | | | | | | | 2 | | | | | | |
| 26 | 8614-047 | 3.2A Fuse | | | | 2 | | | | | | | | | | | | | | | |
| NS | 8615-040 | Circuit Breaker 50A 2 Pole ⓪ | 0 | | | | | | 0 | | | 0 | | | | | | 0 | | | |
| NS | 8615-042 | Circuit Breaker 35A 3 Pole ⓪ | | 0 | | | | | | 0 | | | 0 | | | | | | 0 | | |
| NS | 8615-052 | Circuit Breaker 30A 3 Pole ⓪ | | | | | 0 | | | | | | | | | 0 | | | | | |
| NS | S8615-067 | Toggle Disconnect | | | 0 | 0 | | 0 | | | 0 | | | 0 | 0 | | 0 | | | | 0 |
| NS | 4095-196 | Wiring Diagram | X | | | | | | | | | X | | | | | | | | | |
| NS | 4095-198 | Wiring Diagram | | | | | | | X | | | | | | | | | X | | | |
| NS | 4095-296 | Wiring Diagram | | X | | | X | | | | | | X | | | | X | | | | |
| NS | 4095-297 | Wiring Diagram | | | | | | | | X | | | | | | | | | X | | |
| NS | 4095-378 | Wiring Diagram | | | X | | | | | | | | | X | | | | | | X | |
| NS | 4095-379 | Wiring Diagram | | | | | | | | | X | | | | | | | | | | X |
| NS | 4095-382 | Wiring Diagram | | | | X | | | | | | | | | X | | | | | | |
| NS | 4095-640 | Wiring Diagram | | | | | X | | | | | | | | | | X | | | | |
| NS | 3000-1613 | Blower Power Plug | X | X | X | X | X | | X | X | X | X | X | X | X | X | X | X | X | X | X |
| NS | 3000-1645 | Blower Power Plug | | | | | | X | | | | | | | | | | X | | | |
| NS | 3000-1614 | Blower Speed Plug | X | X | X | X | X | X | X | X | X | X | X | X | X | X | X | X | X | X | X |
| NS | 3000-1222 | Compressor Plug/Harness | X | | | | | | X | | | X | | | | | | X | | | |
| NS | 3000-1230 | Compressor Plug/Harness | | X | X | X | X | X | | X | X | | X | X | X | X | X | | X | X | |
| NS | 3003-053 | Control Panel Wire Harness | X | | | | | | | | | X | | | | | | | | | |
| NS | 3003-054 | Control Panel Wire Harness | | | | | | | X | X | | | | | | | | | X | X | |
| NS | 3003-055 | Control Panel Wire Harness | | X | X | X | X | | | | | X | X | X | X | | | | | | |
| NS | 3003-056 | Control Panel Wire Harness | | | | | | X | | | | | | | | | X | | | | |
| NS | 3003-057 | Control Panel Wire Harness | | | | | | | X | | | | | | | | | X | | | |
| NS | 3000-1608 | Low Voltage Terminal Block Wire Harness | X | X | X | X | X | X | X | X | X | X | X | X | X | X | X | X | X | X | X |
| NS | 8201-074 | Power Switch Relay | X | | | | | | | | | | | | | | | | | | |

NS = Not Shown

⓪ Circuit breakers listed are for units without electric heat, "0Z" models. See heater replacement parts manual for units with electric heat.

X – Standard Component
O – Optional Component

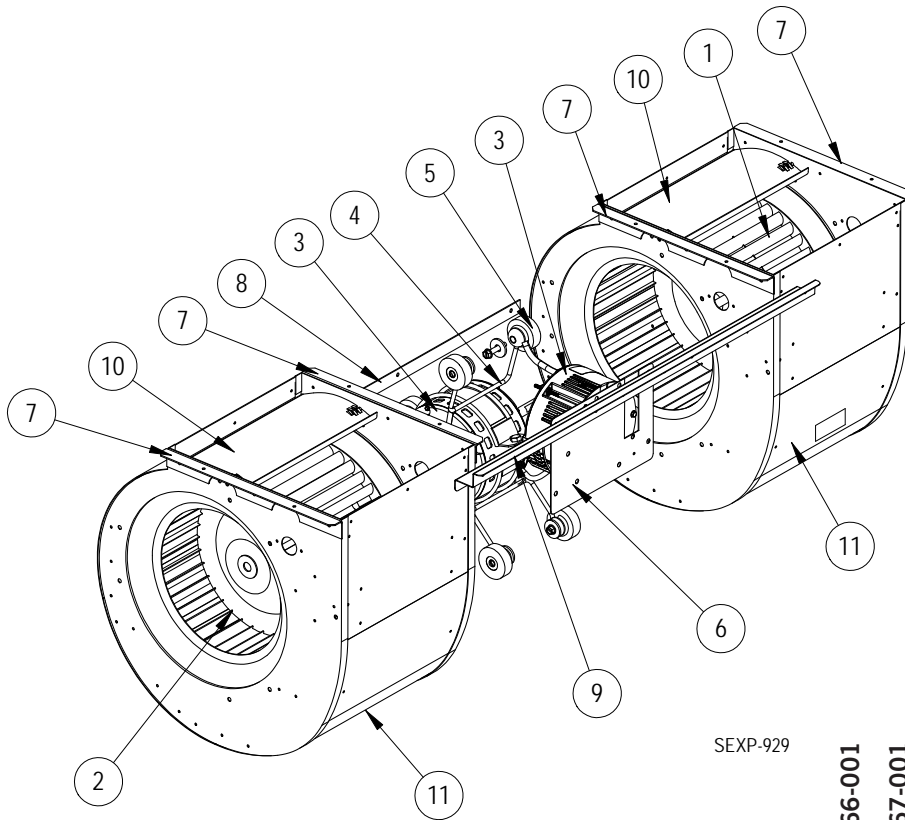
Manual 2110-1452K
Page 15 of 17

CONTROL PANEL – STANDARD & DEHUMIDIFICATION

| Dwg No. | Part Number | Description | W60AC-A | W60AC-B | W60AC-C | W60ACRC | W60AC-E | W60AC-F | W60ACDA | W60ACDB | W60ACDC | W72AC-A | W72AC-B | W72AC-C | W72ACRC | W72AC-F | W72ACDA | W72ACDB | W72ACDC |
|---------|---------------|---|---------|---------|---------|---------|---------|---------|---------|---------|---------|---------|---------|---------|---------|---------|---------|---------|---------|
| 1 | 117-411 | Control Panel | X | X | X | X | X | X | X | X | X | X | X | X | X | X | X | X | X |
| 2 | S910-2061 | Complete Low Voltage Box Assembly (Sheet metal, Terminal Strip, & Wire Harness) | X | X | X | X | X | X | X | X | X | X | X | X | X | X | X | X | X |
| 3 | 135-394 | Wire Shield | X | X | X | X | X | X | X | X | X | X | X | X | X | X | X | X | X |
| 4 | 8611-140-3208 | Cable Duct - 32.5" | X | X | X | X | X | X | X | X | X | X | X | X | X | X | X | X | X |
| 6 | 8611-244-0608 | Cable Duct - 6.5" x 1.5" wide | 2 | 2 | 2 | 2 | 2 | 2 | 2 | 2 | 2 | 2 | 2 | 2 | 2 | 2 | 2 | 2 | 2 |
| 7 | 8607-021 | Low Voltage Terminal Strip - 8 term. | 0 | 0 | 0 | 0 | 0 | 0 | 0 | 0 | 0 | 0 | 0 | 0 | 0 | 0 | 0 | 0 | 0 |
| 8 | 8607-063 | Low Voltage Terminal Strip - 18 term. | X | X | X | X | X | X | X | X | X | X | X | X | X | X | X | X | X |
| 9 | 3000-1524 | Vent Jumper Plug (used when no vent option) | X | X | X | X | X | X | X | X | X | X | X | X | X | X | X | X | X |
| 10 | 8201-130 | Alarm Relay (Kit = CMC-35) | 0 | 0 | 0 | 0 | 0 | 0 | 0 | 0 | 0 | 0 | 0 | 0 | 0 | 0 | 0 | 0 | 0 |
| 11 | 8201-130 | Blower Speed Relay | X | X | X | X | X | X | X | X | X | X | X | X | X | X | X | X | X |
| 12 | 8201-130 | Dehumidification Control Relay | | | | | | | X | X | X | | | | | | X | X | X |
| 13 | 8201-159 | Dirty Filter Relay (Kit = CMC-33) | 0 | 0 | 0 | 0 | 0 | 0 | 0 | 0 | 0 | 0 | 0 | 0 | 0 | 0 | 0 | 0 | 0 |
| 14 | 8607-017 | Terminal Block (LAC Kit = CMA-39) | 0 | 0 | 0 | 0 | 0 | 0 | 0 | 0 | 0 | 0 | 0 | 0 | 0 | 0 | 0 | 0 | 0 |
| 15 | 8607-042 | Blower Speed Terminal Block | X | X | X | X | X | X | X | X | X | X | X | X | X | X | X | X | X |
| 16 | 8201-113 | Dehumidification Logic Board | | | | | | | X | X | X | | | | | | X | X | X |
| 17 | 8201-171BX | Compressor Control Module | X | X | X | X | X | X | X | X | X | X | X | X | X | X | X | X | X |
| 18 | 8407-068 | Transformer | X | X | | | X | X | X | | | X | X | | | X | X | X | |
| 18 | 8407-069 | Transformer | | | X | X | | | | | X | | | X | X | | | | X |
| 19 | 8201-174BX | Phase Monitor | | X | X | X | X | X | | X | X | | X | X | X | X | | X | X |
| 20 | 8552-089 | Compressor Capacitor | X | | | | | | X | | | | | | | | | | |
| 20 | 8552-097 | Compressor Capacitor | | X | | | | | | | X | | | | | | X | | |
| 20 | 8552-005 | Outdoor Motor Capacitor | | | X | X | | | X | | | | X | X | | | | | X |
| 20 | 8552-004 | Outdoor Motor Capacitor | | | X | X | | | | X | | | X | | X | | X | | |
| 21 | 8550-008 | Capacitor Strap | X | | | | | | X | | | X | | | | | X | | |
| 21 | 8550-003 | Capacitor Strap | | X | X | X | X | X | | X | X | | X | X | X | X | | X | X |
| 22 | 8551-004 | Start Device (PTCR) (Kit = CMC-32) | 0 | | | | | | 0 | | | 0 | | | | | 0 | | |
| 23 | 8401-034 | Compressor Contactor | X | | | | | | X | | | X | | | | | X | | |
| 23 | 8401-035 | Compressor Contactor | | X | X | X | X | X | | X | X | | X | X | X | X | | X | X |
| 24 | 8607-017 | Terminal Block | | | | X | | | | | | | | | X | | | | |
| 25 | 8611-210 | DIN Rail | | | | X | | | | | | | | | X | | | | |
| 26 | 8614-058 | Fuse Block | | | | X | | | | | | | | | X | | | | |
| 26 | 8614-046 | 5A Fuse | | | | 2 | | | | | | | | | 2 | | | | |
| NS | 8615-041 | Circuit Breaker 60A 2 Pole ⊕ | 0 | | | | | | 0 | | | 0 | | | | | 0 | | |
| NS | 8615-043 | Circuit Breaker 40A 3 Pole ⊕ | | 0 | | | | | | 0 | | | | | | | | | 0 |
| NS | 8615-045 | Circuit Breaker 50A 3 Pole ⊕ | | | | | | | | | | | 0 | | | | | | 0 |
| NS | S8615-067 | Toggle Disconnect | | | | 0 | 0 | | 0 | | | 0 | | 0 | 0 | 0 | | | 0 |
| NS | 4095-196 | Wiring Diagram | X | | | | | | | | | X | | | | | | | |
| NS | 4095-198 | Wiring Diagram | | X | | | | | X | | | | | | | | X | | |
| NS | 4095-296 | Wiring Diagram | | | | | X | | | | | | X | | | | | | X |
| NS | 4095-297 | Wiring Diagram | | | | X | | | | X | | | | | | | | | X |
| NS | 4095-378 | Wiring Diagram | | | | | | | | | X | | | X | | | | | X |
| NS | 4095-379 | Wiring Diagram | | | | | | | | | X | | | | | | | | X |
| NS | 4095-382 | Wiring Diagram | | | | X | | | | | | | | X | | | | | X |
| NS | 4095-640 | Wiring Diagram | | | | | | X | | | | | | | X | | | | X |
| NS | 3000-1613 | Blower Power Plug | X | X | X | X | X | | X | X | X | X | X | X | X | | X | X | X |
| NS | 3000-1645 | Blower Power Plug | | | | | | X | | | | | | | | X | | | |
| NS | 3000-1614 | Blower Speed Plug | X | X | X | X | X | X | X | X | X | X | X | X | X | X | X | X | X |
| NS | 3000-1222 | Compressor Plug/Harness | X | | | | | | X | | | X | | | | | X | | |
| NS | 3000-1230 | Compressor Plug/Harness | | X | X | X | X | X | | X | X | | X | X | X | X | | X | X |
| NS | 3003-053 | Control Panel Wire Harness | X | | | | | | | X | X | | | | | | | | |
| NS | 3003-054 | Control Panel Wire Harness | | | | | | | | X | X | | | | | | | X | X |
| NS | 3003-055 | Control Panel Wire Harness | | X | X | X | X | | | | | X | X | X | | | | | |
| NS | 3003-056 | Control Panel Wire Harness | | | | | | X | | | | | | | | X | | | |
| NS | 3003-057 | Control Panel Wire Harness | | | | | | | X | | | | | | | | X | | |
| NS | 3000-1608 | Low Voltage Terminal Block Wire Harness | X | X | X | X | X | X | X | X | X | X | X | X | X | X | X | X | X |

⊕ Circuit breakers listed are for units without electric heat, "OZ" models. NS = Not Shown X – Standard Component
 See heater replacement parts manual for units with electric heat. O – Optional Component

BLOWER ASSEMBLY



SEXP-929

| Dwg No. | Part Number | Description | S900-366-001 | S900-367-001 | S900-368-001 | S900-368-002 | S900-368-003 | S900-369-001 | S900-369-002 | S900-369-003 |
|---------|----------------|--|--------------|--------------|--------------|--------------|--------------|--------------|--------------|--------------|
| 1 | 5152-011 | 10 Inch Wheel (CW) | X | X | X | X | X | X | X | X |
| 2 | 5152-012 | 10 Inch Wheel (CW) | X | X | X | X | X | X | X | X |
| 3 | S8106-068-0155 | Programmed Blower Motor & Control (230/208V) | X | | | | | | | |
| 3 | S8106-069-0156 | Programmed Blower Motor & Control (460V) | | X | | | | | | |
| 3 | S8107-028-0157 | Programmed Blower Motor & Control (230/208V) | | | X | | | | | |
| 3 | S8107-028-0159 | Programmed Blower Motor & Control (230/208V) | | | | X | | | | |
| 3 | S8107-028-0161 | Programmed Blower Motor & Control (230/208V) | | | | | X | | | |
| 3 | S8107-029-0158 | Programmed Blower Motor & Control (460V) | | | | | | X | | |
| 3 | S8107-029-0160 | Programmed Blower Motor & Control (460V) | | | | | | | X | |
| 3 | S8107-029-0162 | Programmed Blower Motor & Control (460V) | | | | | | | | X |
| 3 | C8106-068-0155 | Programmed Control Only (230/208V) | 0 | | | | | | | |
| 3 | C8106-069-0156 | Programmed Control Only (460V) | | 0 | | | | | | |
| 3 | C8107-028-0157 | Programmed Control Only (230/208V) | | | 0 | | | | | |
| 3 | C8107-028-0159 | Programmed Control Only (230/208V) | | | | 0 | | | | |
| 3 | C8107-028-0161 | Programmed Control Only (230/208V) | | | | | 0 | | | |
| 3 | C8107-029-0158 | Programmed Control Only (460V) | | | | | | 0 | | |
| 3 | C8107-029-0160 | Programmed Control Only (460V) | | | | | | | 0 | |
| 3 | C8107-029-0162 | Programmed Control Only (460V) | | | | | | | | 0 |
| 4 | 8200-040 | Motor Mount | X | X | X | X | X | X | X | X |
| 5 | 5451-011 | Grommets | 6 | 6 | 6 | 6 | 6 | 6 | 6 | 6 |
| 6 | 112-775 | Motor Control Bracket | X | X | X | X | X | X | X | X |
| 7 | 105-880 | Side Angle | 4 | 4 | 4 | 4 | 4 | 4 | 4 | 4 |
| 8 | 105-881 | Back Brace | X | X | X | X | X | X | X | X |
| 9 | 103-541 | Front Mounting Offset | X | X | X | X | X | X | X | X |
| 10 | 144-166 | Diffuser | 2 | 2 | 2 | 2 | 2 | 2 | 2 | 2 |
| 11 | 151-101 | Blower Housing | 2 | 2 | 2 | 2 | 2 | 2 | 2 | 2 |