
REPLACEMENT PARTS MANUAL

Wall Mount Air Conditioner

Models:

W42AC-A	W48AC-A	W60AC-A	W72AC-A
W42AC-B	W48AC-B	W60AC-B	W72AC-B
W42AC-C	W48AC-C	W60AC-C	W72AC-C
W42AC-E	W48AC-E	W60AC-E	W72AC-F
W42AC-F	W48AC-F	W60AC-F	W72ACDA
W42ACDA	W48ACDA	W60ACDA	W72ACDB
W42ACDB	W48ACDB	W60ACDB	W72ACDC
W42ACDC	W48ACDC	W60ACDC	

Contents

Description	Page
External Parts – Standard & Dehum.	
♦ Exploded View	2
♦ Usage List	3
♦ Usage List	4
Internal Parts – Standard & Dehum.	
♦ Exploded View	6
♦ Usage List	7
♦ Usage List	8
Functional Components – Standard & Dehum.	
♦ Exploded View	10
♦ Usage List	11
♦ Usage List	12
EEV Controller Assembly	
♦ Exploded View	13
♦ Usage List	13

Description	Page
Control Panel – Standard & Dehum.	
♦ Layout View	14
♦ Usage List	15
♦ Usage List	16
Blower Assembly	
♦ Exploded View	17
♦ Usage List	17

General Notes

- Revised and/or additional pages may be issued from time to time.
- A complete and current manual consists of pages shown in the following contents section.

Important

- Contact the installing and/or local Bard distributor for all parts requirements. Make sure to have the complete model and serial number available from the unit rating plates.

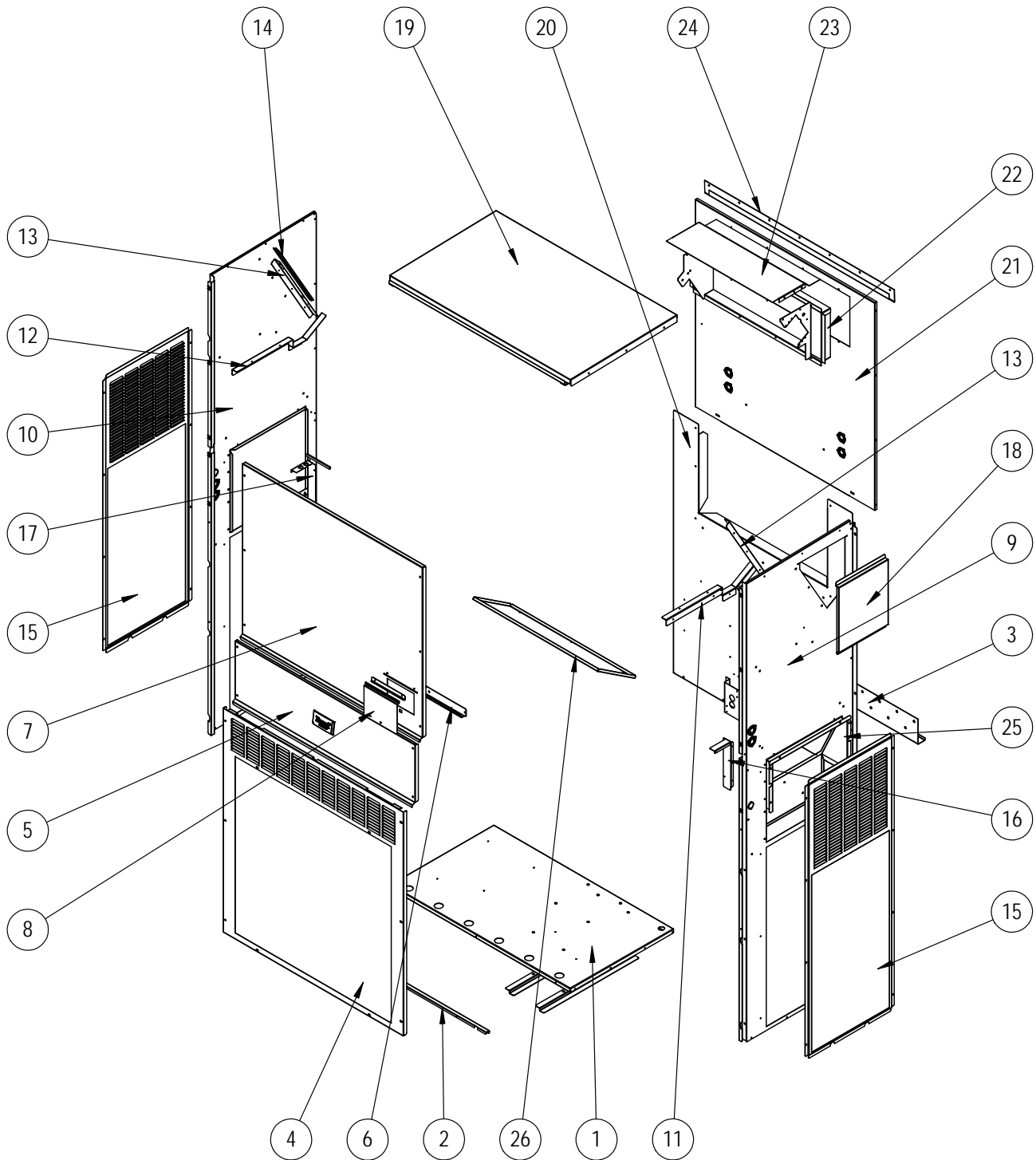


Bard Manufacturing Company, Inc.
Bryan, Ohio 43506
www.bardhvac.com

Manual: 2110-1452E
Supersedes: 2110-1452D
Date: 11-13-20

Climate Control Solutions

EXTERNAL PARTS – STANDARD & DEHUMIDIFICATION



SEXP-932

This drawing to be used for reference for pages 3 and 4

EXTERNAL PARTS – STANDARD & DEHUMIDIFICATION

Dwg No.	Part Number	Description	W42AC-A, B, C, E, F	W42ACDA, B, C	W48AC-A, B, C, E, F	W48ACDA, B, C
1	S127-574	Unit Base	X	X	X	X
1	S127-584 ③	Unit Base	0	0	0	0
2	113-762	Front Base Bracket	X	X	X	X
2	113-797 ③	Front Base Bracket	0	0	0	0
3	113-140	Bottom Mounting Bracket	X	X	X	X
4	119-125-* ①	Front Grille	X	X	X	X
4	119-148 ②	Front Grille	0	0	0	0
4	119-135 ③	Front Grille	0	0	0	0
5	S533-301-* ①	Control Panel Cover (Outer)	X	X	X	X
5	S533-309 ②	Control Panel Cover (Outer)	0	0	0	0
5	S533-310 ③	Control Panel Cover (Outer)	0	0	0	0
6	S165-608-* ①	Rain Channel	X	X	X	X
6	S165-609 ②	Rain Channel	0	0	0	0
6	S165-610 ③	Rain Channel	0	0	0	0
7	S515-323-* ①	Upper Front	X	X	X	X
7	S515-328 ②	Upper Front	0	0	0	0
7	S515-330 ③	Upper Front	0	0	0	0
8	153-717-* ①	Disconnect Access Door	X	X	X	X
8	153-723 ②	Disconnect Access Door	0	0	0	0
8	153-724 ③	Disconnect Access Door	0	0	0	0
9	S501-1053-* ①	Right Side	X	X	X	X
9	S501-1072 ②	Right Side	0	0	0	0
9	S501-1076 ③	Right Side	0	0	0	0
10	501-1054-* ①	Left Side	X	X	X	X
10	501-1073 ②	Left Side	0	0	0	0
10	501-1077 ③	Left Side	0	0	0	0
11	105X1454	Right Support Angle	X	X	X	X
12	105Y1454	Left Support Angle	X	X	X	X
13	105-1457	Coil Support	2	2	2	2
14	147-055	Coil Support Offset	X	X	X	X
15	119-126-* ①	Side Grille	2	2	2	2
15	119-142 ②	Side Grille	2	2	2	2
15	119-136 ③	Side Grille	2	2	2	2
16	105-1450	Right Control Panel Angle	X	X	X	X
17	105-1451	Left Control Panel Angle	X	X	X	X
18	S543-221-* ①	Heater Access Cover	X	X	X	X
18	S543-228 ②	Heater Access Cover	0	0	0	0
18	S543-229 ③	Heater Access Cover	0	0	0	0
19	507-382-* ①	Top	X	X	X	X
19	507-391 ②	Top	0	0	0	0
19	507-392 ③	Top	0	0	0	0
20	109-412	Lower Back	X	X	X	X
20	109-418 ②	Lower Back	0	0	0	0
20	109-422 ③	Lower Back	0	0	0	0
21	S509-411	Upper Back	X	X	X	X
21	S509-417 ②	Upper Back	0	0	0	0
21	S509-421 ③	Upper Back	0	0	0	0
22	S111-299	Outlet Air Frame Assembly	X	X	X	X
23	535-129	Heat Shield	X	X	X	X
24	113-150-* ①	Top Rain Flashing	X	X	X	X
24	113-150-4 ②	Top Rain Flashing	0	0	0	0
24	113-359 ③	Top Rain Flashing	0	0	0	0
25	539-406	Fresh Air Damper Assembly	X	X	X	X
25	543-222	Intake Blank Off Plate	0	0	0	0
26	543-220	Exhaust Blank Off Plate	X	X	X	X
NS	5252-033	Bard Nameplate	X	X	X	X

① Exterior cabinet parts are manufactured with various paint color options. To ensure the proper paint color is received, include the complete model and serial number of the unit for which cabinet parts are being ordered.

② Exterior cabinet parts are manufactured from aluminum Code "A" (#24 - Top rain flashing not available in aluminum; order 113-150-4 (Buckeye Gray).

③ Exterior cabinet parts are manufactured from stainless steel Code "S"

X – Standard Component
O – Optional Component

EXTERNAL PARTS – STANDARD & DEHUMIDIFICATION

Dwg No.	Part Number	Description	W60AC-A, B, C, E, F	W60ACDA, B, C	W72AC-A, B, C, F	W72ACDA, B, C
1	S127-574	Unit Base	X	X	X	X
1	S127-584 ③	Unit Base	0	0	0	0
2	113-762	Front Base Bracket	X	X	X	X
2	113-797 ③	Front Base Bracket	0	0	0	0
3	113-140	Bottom Mounting Bracket	X	X	X	X
4	119-127-* ①	Front Grille	X	X	X	X
4	119-149 ②	Front Grille	0	0	0	0
4	119-137 ③	Front Grille	0	0	0	0
5	S533-301-* ①	Control Panel Cover (Outer)	X	X	X	X
5	S533-309 ②	Control Panel Cover (Outer)	0	0	0	0
5	S533-310 ③	Control Panel Cover (Outer)	0	0	0	0
6	S165-608-* ①	Rain Channel	X	X	X	X
6	S165-609 ②	Rain Channel	0	0	0	0
6	S165-610 ③	Rain Channel	0	0	0	0
7	S515-324-* ①	Upper Front	X	X	X	X
7	S515-329 ②	Upper Front	0	0	0	0
7	S515-331 ③	Upper Front	0	0	0	0
8	153-717-* ①	Disconnect Access Door	X	X	X	X
8	153-723 ②	Disconnect Access Door	0	0	0	0
8	153-724 ③	Disconnect Access Door	0	0	0	0
9	S501-1055-* ①	Right Side	X	X	X	X
9	S501-1074 ②	Right Side	0	0	0	0
9	S501-1078 ③	Right Side	0	0	0	0
10	501-1056-* ①	Left Side	X	X	X	X
10	501-1075 ②	Left Side	0	0	0	0
10	501-1079 ③	Left Side	0	0	0	0
11	105X1454	Right Support Angle	X	X	X	X
12	105Y1454	Left Support Angle	X	X	X	X
13	105-1455	Coil Support	2	2	2	2
14	147-054	Coil Support Offset	X	X	X	X
15	119-128-* ①	Side Grille	2	2	2	2
15	119-143 ②	Side Grille	2	2	2	2
15	119-138 ③	Side Grille	2	2	2	2
16	105-1450	Right Control Panel Angle	X	X	X	X
17	105-1451	Left Control Panel Angle	X	X	X	X
18	S543-221-* ①	Heater Access Cover	X	X	X	X
18	S543-228 ②	Heater Access Cover	0	0	0	0
18	S543-229 ③	Heater Access Cover	0	0	0	0
19	507-382-* ①	Top	X	X	X	X
19	507-391 ②	Top	0	0	0	0
19	507-392 ③	Top	0	0	0	0
20	109-414	Lower Back	X	X	X	X
20	109-420 ②	Lower Back	0	0	0	0
20	109-424 ③	Lower Back	0	0	0	0
21	S509-413	Upper Back	X	X	X	X
21	S509-419 ②	Upper Back	0	0	0	0
21	S509-423 ③	Upper Back	0	0	0	0
22	S111-299	Outlet Air Frame Assembly	X	X	X	X
23	535-129	Heat Shield	X	X	X	X
24	113-150-* ①	Top Rain Flashing	X	X	X	X
24	113-150-4 ②	Top Rain Flashing	0	0	0	0
24	113-359 ③	Top Rain Flashing	0	0	0	0
25	539-406	Fresh Air Damper Assembly	X	X	X	X
25	543-222	Intake Blank Off Plate	0	0	0	0
26	543-220	Exhaust Blank Off Plate	X	X	X	X
NS	5252-033	Bard Nameplate	X	X	X	X

① Exterior cabinet parts are manufactured with various paint color options. To ensure the proper paint color is received, include the complete model and serial number of the unit for which cabinet parts are being ordered.

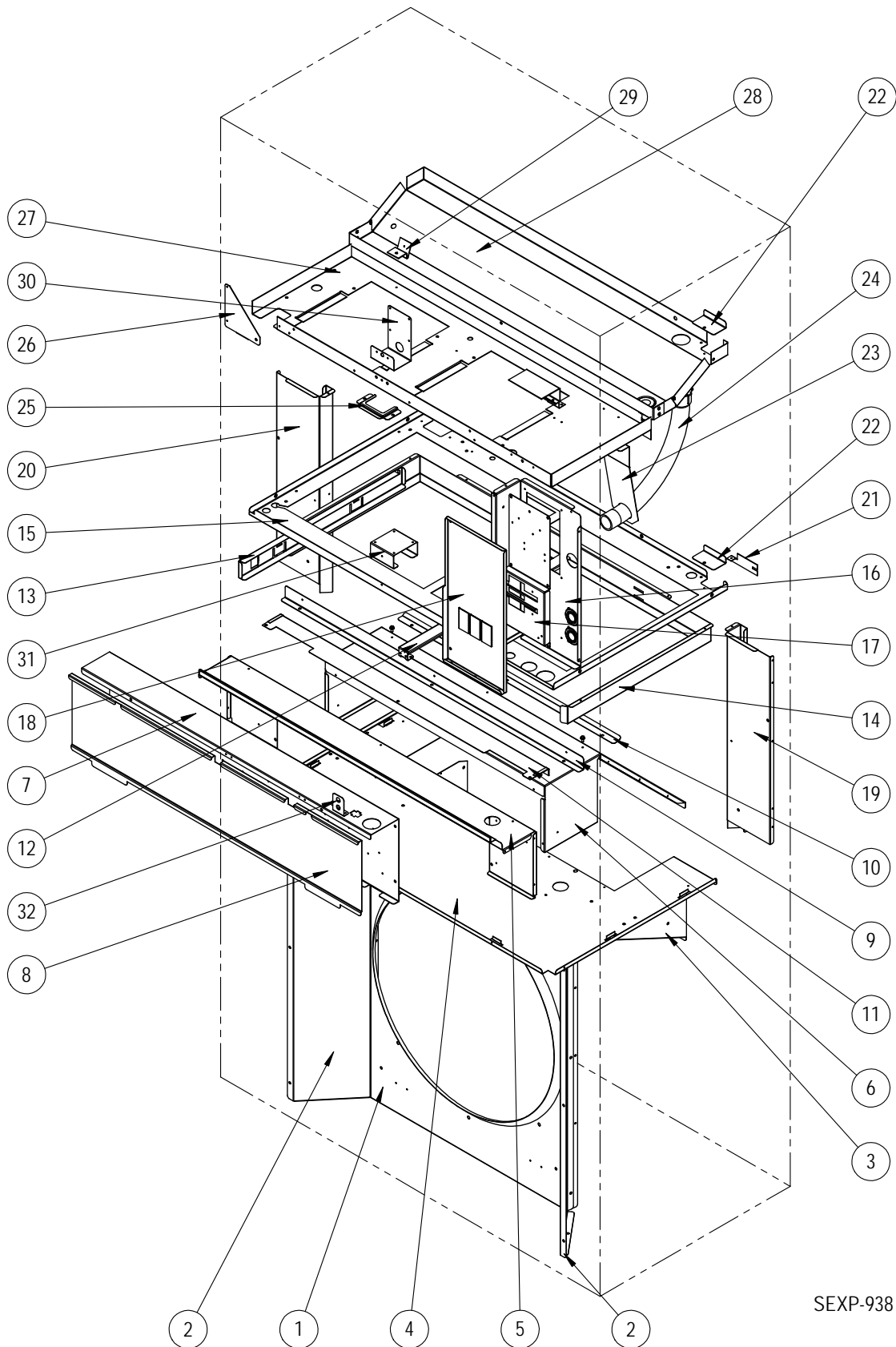
② Exterior cabinet parts are manufactured from aluminum Code "A" (#24 - Top rain flashing not available in aluminum; order 113-150-4 (Buckeye Gray).

③ Exterior cabinet parts are manufactured from stainless steel Code "S"

X – Standard Component
0 – Optional Component

This page intentionally left blank

INTERNAL PARTS – STANDARD & DEHUMIDIFICATION



SEXP-938

INTERNAL PARTS – STANDARD & DEHUMIDIFICATION

Dwg No.	Part Number	Description	W42AC-A, B, E	W42AC-C, F	W42ACDA, B	W42ACDC	W48AC-A, B, E	W48AC-C, F	W48ACDA, B	W48ACDC
1	125-089	Fan Shroud	X	X	X	X	X	X	X	X
1	125-093 ①	Fan Shroud	0	0	0	0	0	0	0	0
2	S125-090	Fan Shroud Side Access Cover	2	2	2	2	2	2	2	2
2	S125-094 ①	Fan Shroud Side Access Cover	2	2	2	2	2	2	2	2
3	121-586	Condenser Partition Insert	X	X	X	X	X	X	X	X
3	121-600 ①	Condenser Partition Insert	0	0	0	0	0	0	0	0
4	121-585	Condenser Partition	X	X	X	X	X	X	X	X
4	121-599 ①	Condenser Partition	0	0	0	0	0	0	0	0
5	521-630	Front Exhaust Partition	X	X	X	X	X	X	X	X
6	521-587	Exhaust Partition	X	X	X	X	X	X	X	X
7	Control Panel Assy.	See Control Panel Assy. Drawing & Parts List	X	X	X	X	X	X	X	X
8	S133-330	Control Panel Cover (Inner)	X	X	X	X	X	X	X	X
9	105-1453	Front Vent Guide Rail	X	X	X	X	X	X	X	X
10	105-1452	Vent Guide Rail	X	X	X	X	X	X	X	X
11	S135-409	Field Wire Shield	X	X	X	X	X	X	X	X
12	131-168	Filter Support Bracket	2	2	2	2	2	2	2	2
13	131-170	Filter Slide	X	X	X	X	X	X	X	X
14	131-169	Filter Rack Frame	X	X	X	X	X	X	X	X
15	121-583	Filter Partition	X	X	X	X	X	X	X	X
16	117-412	Upper Control Panel	X	X	X	X	X	X	X	X
17	127-575	Circuit Breaker Base	X		X		X		X	
17	127-585	Circuit Breaker Base - 460V		X		X		X		X
18	S133-303	Upper Control Panel Cover	X		X		X		X	
18	S133-304	Upper Control Panel Cover - 460V		X		X		X		X
19	135X393	Right Copper Chase	X	X	X	X	X	X	X	X
19	135X397 ①	Right Copper Chase	0	0	0	0	0	0	0	0
20	135Y393	Left Copper Chase	X	X	X	X	X	X	X	X
20	135Y397 ①	Left Copper Chase	0	0	0	0	0	0	0	0
21	113-796	Copper Retainer	2	2	2	2	2	2	2	2
22	137-920	Copper Fill Plate	2	2	2	2	2	2	2	2
23	113-766	Conduit Bracket	X	X	X	X	X	X	X	X
24	8611-235	Conduit Elbow	X	X	X	X	X	X	X	X
25	113-765	Grommet Retainer	X	X	X	X	X	X	X	X
26	141-492	Blower Partition Support	X	X	X	X	X	X	X	X
27	121-582	Blower Partition	X	X	X	X	X	X	X	X
28	523-161	Drain Pan	X	X	X	X	X	X	X	X
28	523-162 ①②	Drain Pan	0	0	0	0	0	0	0	0
29	113-768	EEV mounting Bracket			X	X			X	X
30	113-787	Airflow Switch Bracket	0	0	0	0	0	0	0	0
31	113-788	Filter Switch Bracket	0	0	0	0	0	0	0	0
32	113-789	Filter Switch Light Bracket	0	0	0	0	0	0	0	0

- ① Exterior cabinet parts are manufactured from stainless steel Code "S"
 ② For aluminum units, order 523-162 stainless steel drain pan.

X – Standard Component
 0 – Optional Component

INTERNAL PARTS – STANDARD & DEHUMIDIFICATION

Dwg No.	Part Number	Description	W60AC-A, B, E	W60AC-C, F	W60ACDA, B	W60ACDC	W72AC-A, B	W72AC-C, F	W72ACDA, B	W72ACDC
1	125-091	Fan Shroud	X	X	X	X	X	X	X	X
1	125-095 ①	Fan Shroud	0	0	0	0	0	0	0	0
2	S125-092	Fan Shroud Side Access Cover	2	2	2	2	2	2	2	2
2	S125-096 ①	Fan Shroud Side Access Cover	2	2	2	2	2	2	2	2
3	121-586	Condenser Partition Insert	X	X	X	X	X	X	X	X
3	121-600 ①	Condenser Partition Insert	0	0	0	0	0	0	0	0
4	121-585	Condenser Partition	X	X	X	X	X	X	X	X
4	121-599 ①	Condenser Partition	0	0	0	0	0	0	0	0
5	521-630	Front Exhaust Partition	X	X	X	X	X	X	X	X
6	521-587	Exhaust Partition	X	X	X	X	X	X	X	X
7	Control Panel Assy.	See Control Panel Assy. Drawing & Parts List	X	X	X	X	X	X	X	X
8	S133-330	Control Panel Cover (Inner)	X	X	X	X	X	X	X	X
9	105-1453	Front Vent Guide Rail	X	X	X	X	X	X	X	X
10	105-1452	Vent Guide Rail	X	X	X	X	X	X	X	X
11	S135-409	Field Wire Shield	X	X	X	X	X	X	X	X
12	131-168	Filter Support Bracket	2	2	2	2	2	2	2	2
13	131-170	Filter Slide	X	X	X	X	X	X	X	X
14	131-169	Filter Rack Frame	X	X	X	X	X	X	X	X
15	121-583	Filter Partition	X	X	X	X	X	X	X	X
16	117-412	Upper Control Panel	X	X	X	X	X	X	X	X
17	127-575	Circuit Breaker Base	X		X		X		X	
17	127-585	Circuit Breaker Base - 460V		X		X		X		X
18	S133-303	Upper Control Panel Cover	X		X		X		X	
18	S133-304	Upper Control Panel Cover - 460V		X		X		X		X
19	135X393	Right Copper Chase	X	X	X	X	X	X	X	X
19	135X397 ①	Right Copper Chase	0	0	0	0	0	0	0	0
20	135Y393	Left Copper Chase	X	X	X	X	X	X	X	X
20	135Y397 ①	Left Copper Chase	0	0	0	0	0	0	0	0
21	113-796	Copper Retainer	2	2	2	2	2	2	2	2
22	137-920	Copper Fill Plate	2	2	2	2	2	2	2	2
23	113-766	Conduit Bracket	X	X	X	X	X	X	X	X
24	8611-235	Conduit Elbow	X	X	X	X	X	X	X	X
25	113-765	Grommet Retainer	X	X	X	X	X	X	X	X
26	141-492	Blower Partition Support	X	X	X	X	X	X	X	X
27	121-582	Blower Partition	X	X	X	X	X	X	X	X
28	523-161	Drain Pan	X	X	X	X	X	X	X	X
28	523-162 ①②	Drain Pan	0	0	0	0	0	0	0	0
29	113-768	EEV mounting Bracket			X	X			X	X
30	113-787	Airflow Switch Bracket	0	0	0	0	0	0	0	0
31	113-788	Filter Switch Bracket	0	0	0	0	0	0	0	0
32	113-789	Filter Switch Light Bracket	0	0	0	0	0	0	0	0

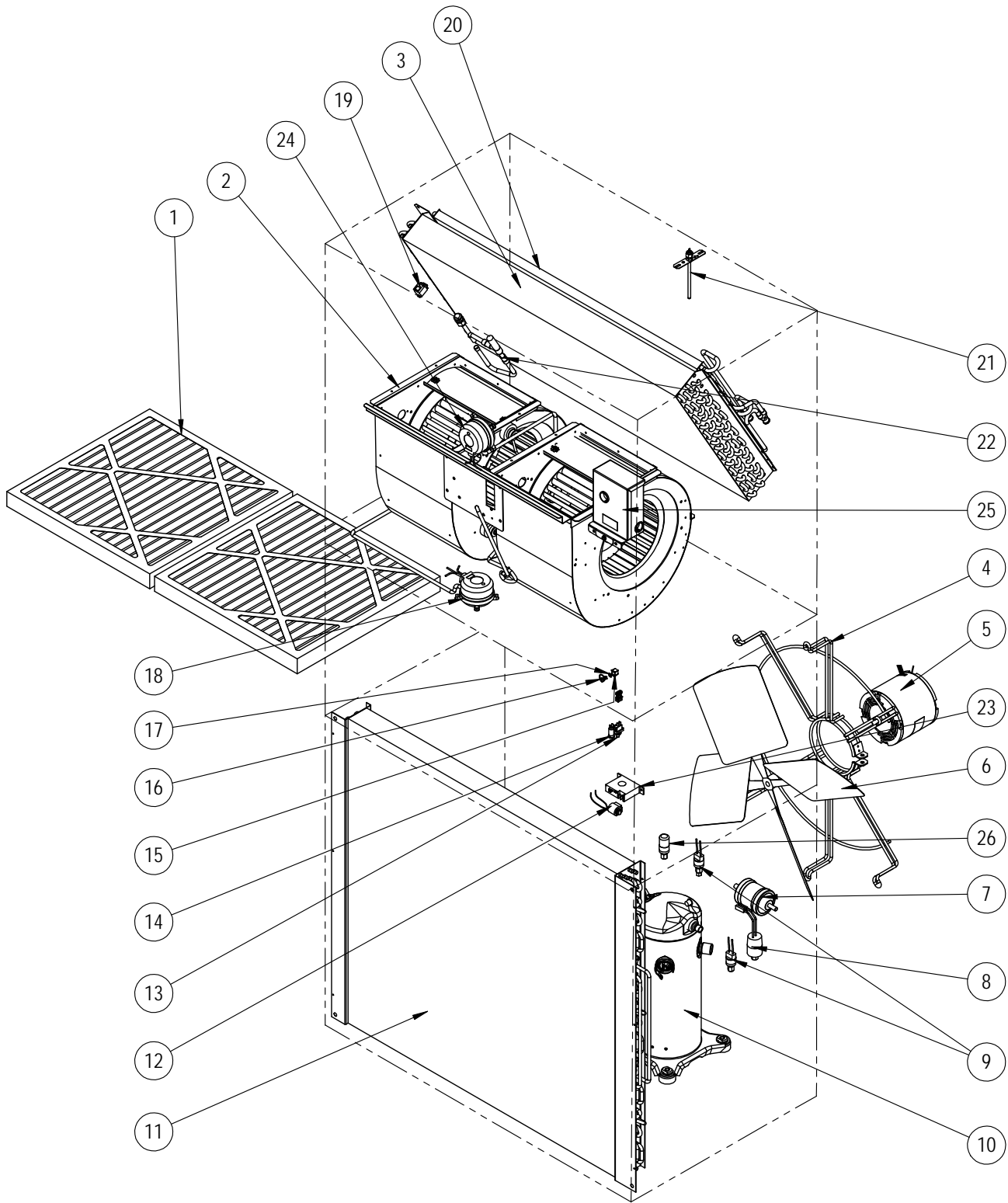
- ① Exterior cabinet parts are manufactured from stainless steel Code "S"
 ② For aluminum units, order 523-162 stainless steel drain pan.

- X – Standard Component
 0 – Optional Component

Refer to drawing on page 6

This page intentionally left blank

FUNCTIONAL COMPONENTS – STANDARD & DEHUMIDIFICATION



SEXP-931

This drawing to be used for reference for pages 11 and 12

FUNCTIONAL COMPONENTS – STANDARD & DEHUMIDIFICATION

Dwg No.	Part Number	Description	W42AC-A	W42AC-B	W42AC-C	W42AC-E	W42AC-F	W42ACDA	W42ACDB	W42ACDC	W48AC-A	W48AC-B	W48AC-C	W48AC-E	W48AC-F	W48ACDA	W48ACDB	W48ACDC
1	7004-012	Air Filter 1* Throw-Away (20 x 20 x 1)	2	2	2	2	2	2	2	2	2	2	2	2	2	2	2	2
1	7003-085 ②	Air Filter 1* Washable (20 x 20 x 1)	2	2	2	2	2	2	2	2	2	2	2	2	2	2	2	2
1	7004-052 ②	Air Filter 2* Merv 8 (20 x 20 x 2)	2	2	2	2	2	2	2	2	2	2	2	2	2	2	2	2
1	7004-060 ②	Air Filter 2* Merv 11 (20 x 20 x 2)	2	2	2	2	2	2	2	2	2	2	2	2	2	2	2	2
1	7004-063 ②	Air Filter 2* Merv 13 (20 x 20 x 2)	2	2	2	2	2	2	2	2	2	2	2	2	2	2	2	2
2	S900-366-001	Blower Assembly	X	X		X	X	X	X									
2	S900-367-001	Blower Assembly - 460V			X					X								
2	S900-368-001	Blower Assembly									X	X						
2	S900-369-001	Blower Assembly - 460V											X	X	X	X	X	X
3	917-0366BX	Evaporator Coil w/Distributor Assy.	X	X	X	X	X											
3	917-0367BX	Evaporator Coil - Coated w/Distributor Assy.	0	0	0	0	0											
3	917-0368BX	Evaporator Coil w/Distributor Assy.						X	X	X								
3	917-0369BX	Evaporator Coil - Coated w/Distributor Assy.						0	0	0								
3	917-0370BX	Evaporator Coil w/Distributor Assy.									X	X						
3	917-0371BX	Evaporator Coil - Coated w/Distributor Assy.									0	0						
3	917-0372BX	Evaporator Coil w/Distributor Assy.														X	X	X
3	917-0373BX	Evaporator Coil - Coated w/Distributor Assy.														0	0	0
4	8200-004	Fan Motor Mount	X	X	X	X	X	X	X	X	X	X	X	X	X	X	X	X
4	8200-051 ①	Fan Motor Mount - Stainless Steel	0	0	0	0	0	0	0	0	0	0	0	0	0	0	0	0
5	8105-068	Condenser Motor	X	X		X	X	X	X		X	X		X	X	X	X	
5	8105-071	Condenser Motor - 460V			X					X			X					X
6	5151-060	Fan Blade	X	X	X	X	X	X	X	X	X	X	X	X	X	X	X	X
6	5151C060 ①	Fan Blade - Coated	0	0	0	0	0	0	0	0	0	0	0	0	0	0	0	0
7	5201-022	Filter Drier	X	X	X	X	X	X	X	X	X	X	X	X	X	X	X	X
8	CMA-39	Low Ambient Control (LAC)	0	0	0	0	0	0	0	0	0	0	0	0	0	0	0	0
9	8406-142	High Pressure Switch	X	X	X	X	X	X	X	X	X	X	X	X	X	X	X	X
9	8406-140	Low Pressure Switch	X	X	X	X	X	X	X	X	X	X	X	X	X	X	X	X
10	8000-349	Compressor	X					X										
10	8000-350	Compressor		X		X			X									
10	8000-351	Compressor			X		X			X								
10	8000-332	Compressor									X							
10	8000-333	Compressor										X				X		
10	8000-334	Compressor											X				X	
11	5051-222BX	Condenser Coil	X	X	X	X	X	X	X	X	X	X	X	X	X	X	X	X
11	5054-222BX	Condenser Coil - Coated	0	0	0	0	0	0	0	0	0	0	0	0	0	0	0	0
12	8408-055	Outdoor Temperature Sensor	0	0	0	0	0	0	0	0	0	0	0	0	0	0	0	0
13	3000-1638	Dirty Filter Reset Switch	0	0	0	0	0	0	0	0	0	0	0	0	0	0	0	0
14	8611-094	Red Indicator Light - 24VAC	0	0	0	0	0	0	0	0	0	0	0	0	0	0	0	0
15	1171-023	1/4 Turn Receptacle	X	X	X	X	X	X	X	X	X	X	X	X	X	X	X	X
16	1171-022	1/4 Turn Fastener	X	X	X	X	X	X	X	X	X	X	X	X	X	X	X	X
17	1171-024	1/4 Turn Retainer	X	X	X	X	X	X	X	X	X	X	X	X	X	X	X	X
18	8301-057	Filter Pressure Switch	0	0	0	0	0	0	0	0	0	0	0	0	0	0	0	0
19	CMC-29	Freeze Protection Thermostat	0	0	0	0	0	0	0	0	0	0	0	0	0	0	0	0
20	5051-221BX	Reheat Coil						X	X	X						X	X	X
20	5054-221BX	Reheat Coil - Coated						0	0	0						0	0	0
21	910-1224	Supply Air Temperature Sensor	0	0	0	0	0	0	0	0	0	0	0	0	0	0	0	0
22	800-0482	Distributor Assembly	X	X	X	X	X		X	X								
22	800-0424	Distributor Assembly									X	X	X	X	X			
22	800-0483	Distributor Assembly																
22	800-0455	Distributor Assembly														X	X	X
22	5651S245	Electronic Expansion Valve						X	X	X						X	X	X
22	905-0737	Electronic Expansion Valve (EEV) Assembly						X	X	X						X	X	X
23	8301-013	Current Sensor	0	0	0	0	0	0	0	0	0	0	0	0	0	0	0	0
24	8301-057	Airflow Pressure Switch	0	0	0	0	0	0	0	0	0	0	0	0	0	0	0	0
25	S910-2050-001	EEV Controller (see EEV Controller Assembly)						X	X	X						X	X	X
26	8406-158	Low Pressure Transducer						X	X	X						X	X	X
26	3000-1603	Transducer Wire Assembly - Connects to Transducer						X	X	X						X	X	X
NS	CMA-39	LAC Kit = Item #'s 8,12,19	0	0	0	0	0	0	0	0	0	0	0	0	0	0	0	0
NS	CMC-33	Dirty Filter Switch Kit = Item #'s 13,14,18	0	0	0	0	0	0	0	0	0	0	0	0	0	0	0	0
NS	CMA-44	DDC Kit = Item #'s 8,12,13,14,18,19,21,23,24	0	0	0	0	0	0	0	0	0	0	0	0	0	0	0	0
NS	5650-051	Dehumidification Valve						X	X	X						X	X	X
NS	5650-042	Rev. Valve Solenoid, Red Casing (Ranco)						X	X	X						X	X	X
NS	5650-046	Rev. Valve Solenoid, Black Casing (San Hua)						X	X	X						X	X	X
NS	5651-219	Check Valve						2	2	2						2	2	2
NS	5451-024	Tubing Isolation Grommet	2	2	2	2	2	4	4	4	2	2	2	2	2	4	4	4
NS	6031-009	Coremax Valve Core	2	2	2	2	2	2	2	2	2	2	2	2	2	2	2	2
NS	1171-028	Control Panel Door Clip	4	4	4	4	4	4	4	4	4	4	4	4	4	4	4	4
NS	1171-057	Control Panel Door Screw	4	4	4	4	4	4	4	4	4	4	4	4	4	4	4	4
NS	1171-027	Control Panel Door Screw Retainer	4	4	4	4	4	4	4	4	4	4	4	4	4	4	4	4
NS	5650-054	Molded Plug for Dehum Valve						X	X	X						X	X	X

NS – Not Shown

① – Used with stainless steel cabinet option
 ② – Optional on these models

X – Standard Component
 0 – Optional Component

FUNCTIONAL COMPONENTS – STANDARD & DEHUMIDIFICATION

Dwg No.	Part Number	Description	W60AC-A	W60AC-B	W60AC-C	W60AC-E	W60AC-F	W60ACDA	W60ACDB	W60ACDC	W72AC-A	W72AC-B	W72AC-C	W72AC-F	W72ACDA	W72ACDB	W72ACDC
1	7004-012	Air Filter 1" Throw-Away (20 x 20 x 1)	2	2	2	2	2	2	2	2	2	2	2	2	2	2	2
1	7003-085 ②	Air Filter 1" Washable (20 x 20 x 1)	2	2	2	2	2	2	2	2	2	2	2	2	2	2	2
1	7004-052 ②	Air Filter 2" Merv 8 (20 x 20 x 2)	2	2	2	2	2	2	2	2	2	2	2	2	2	2	2
1	7004-060 ②	Air Filter 2" Merv 11 (20 x 20 x 2)	2	2	2	2	2	2	2	2	2	2	2	2	2	2	2
1	7004-063 ②	Air Filter 2" Merv 13 (20 x 20 x 2)	2	2	2	2	2	2	2	2	2	2	2	2	2	2	2
2	S900-368-002	Blower Assembly	X	X		X	X	X	X								
2	S900-369-002	Blower Assembly - 460V			X					X							
2	S900-368-003	Blower Assembly									X	X					
2	S900-369-003	Blower Assembly - 460V											X		X	X	X
3	917-0374BX	Evaporator Coil w/Distributor Assy.	X	X	X	X	X										
3	917-0375BX	Evaporator Coil - Coated w/Distributor Assy.	0	0	0	0	0										
3	917-0376BX	Evaporator Coil w/Distributor Assy.						X	X	X					X	X	X
3	917-0377BX	Evaporator Coil - Coated w/Distributor Assy.						0	0	0					0	0	0
3	917-0378BX	Evaporator Coil w/Distributor Assy.									X	X	X	X			
3	917-0379BX	Evaporator Coil - Coated w/Distributor Assy.									0	0	0	0			
4	8200-004	Fan Motor Mount	X	X	X	X	X	X	X	X							
4	8200-051 ①	Fan Motor Mount - Stainless Steel	0	0	0	0	0	0	0	0							
4	8200-049	Fan Motor Mount									X	X	X	X	X	X	X
4	8200-052 ①	Fan Motor Mount - Stainless Steel									0	0	0	0	0	0	0
5	8105-068	Condenser Motor	X	X		X	X	X	X								
5	8105-071	Condenser Motor - 460V			X					X							
5	8106-070	Condenser Motor									X	X		X	X	X	
5	8106-071	Condenser Motor - 460V											X				X
6	5151-060	Fan Blade	X	X	X	X	X	X	X								
6	5151C060 ①	Fan Blade - Coated	0	0	0	0	0	0	0								
6	5151-063	Fan Blade									X	X	X	X	X	X	X
6	5151C063 ①	Fan Blade - Coated									0	0	0	0	0	0	0
7	5201-022	Filter Drier	X	X	X	X	X	X	X	X	X	X	X	X	X	X	X
8	CMA-39	Low Ambient Control (LAC)	0	0	0	0	0	0	0	0	0	0	0	0	0	0	0
9	8406-142	High Pressure Switch	X	X	X	X	X	X	X	X	X	X	X	X	X	X	X
9	8406-140	Low Pressure Switch	X	X	X	X	X	X	X	X	X	X	X	X	X	X	X
10	8000-289	Compressor	X					X									
10	8000-292	Compressor		X		X			X								
10	8000-308	Compressor			X		X			X							
10	8000-403	Compressor				X					X				X		
10	8000-404	Compressor										X				X	
10	8000-405	Compressor											X				X
11	5051-223BX	Condenser Coil	X	X	X	X	X	X	X	X	X	X	X	X	X	X	X
11	5054-223BX	Condenser Coil - Coated	0	0	0	0	0	0	0	0	0	0	0	0	0	0	0
12	8408-055	Outdoor Temperature Sensor	0	0	0	0	0	0	0	0	0	0	0	0	0	0	0
13	3000-1638	Dirty Filter Reset Switch	0	0	0	0	0	0	0	0	0	0	0	0	0	0	0
14	8611-094	Red Indicator Light - 24VAC	0	0	0	0	0	0	0	0	0	0	0	0	0	0	0
15	1171-023	1/4 Turn Receptacle	X	X	X	X	X	X	X	X	X	X	X	X	X	X	X
16	1171-022	1/4 Turn Fastener	X	X	X	X	X	X	X	X	X	X	X	X	X	X	X
17	1171-024	1/4 Turn Retainer	X	X	X	X	X	X	X	X	X	X	X	X	X	X	X
18	8301-057	Filter Pressure Switch	0	0	0	0	0	0	0	0	0	0	0	0	0	0	0
19	CMC-29	Freeze Protection Thermostat	0	0	0	0	0	0	0	0	0	0	0	0	0	0	0
20	5051-221BX	Reheat Coil						X	X	X					X	X	X
20	5054-221BX	Reheat Coil - Coated						0	0	0					0	0	0
21	910-1224	Supply Air Temperature Sensor	0	0	0	0	0	0	0	0	0	0	0	0	0	0	0
22	800-0484	Distributor Assembly	X	X	X	X	X								X	X	X
22	800-0455	Distributor Assembly						X	X	X							
22	800-0454	Distributor Assembly									X	X	X	X			
22	5651S248	Electronic Expansion Valve						X	X	X					X	X	X
22	905-0745	Electronic Expansion Valve (EEV) Assembly						X	X	X					X	X	X
23	8301-013	Current Sensor	0	0	0	0	0	0	0	0	0	0	0	0	0	0	0
24	8301-057	Airflow Pressure Switch	0	0	0	0	0	0	0	0	0	0	0	0	0	0	0
25	S910-2050-001	EEV Controller (see EEV Controller Assembly)						X	X	X					X	X	X
26	8406-158	Low Pressure Transducer						X	X	X					X	X	X
26	3000-1603	Transducer Wire Assembly - Connects to Transducer						X	X	X					X	X	X
NS	CMA-39	LAC Kit = Item #'s 8,12,19	0	0	0	0	0	0	0	0	0	0	0	0	0	0	0
NS	CMC-33	Dirty Filter Switch Kit = Item #'s 13,14,18	0	0	0	0	0	0	0	0	0	0	0	0	0	0	0
NS	CMA-44	DDC Kit = Item #'s 8,12,13,14,18,19,21,23,24	0	0	0	0	0	0	0	0	0	0	0	0	0	0	0
NS	5650-051	Dehumidification Valve						X	X	X					X	X	X
NS	5650-042	Rev. Valve Solenoid, Red Casing (Ranco)						X	X	X					X	X	X
NS	5650-046	Rev. Valve Solenoid, Black Casing (San Hua)						X	X	X					X	X	X
NS	5651-219	Check Valve						2	2	2					2	2	2
NS	5451-024	Tubing Isolation Grommet	2	2	2	2	2	4	4	4	2	2	2	2	4	4	4
NS	6031-009	Coremax Valve Core	2	2	2	2	2	2	2	2	2	2	2	2	2	2	2
NS	1171-028	Control Panel Door Clip	4	4	4	4	4	4	4	4	4	4	4	4	4	4	4
NS	1171-057	Control Panel Door Screw	4	4	4	4	4	4	4	4	4	4	4	4	4	4	4
NS	1171-027	Control Panel Door Screw Retainer	4	4	4	4	4	4	4	4	4	4	4	4	4	4	4
NS	5650-054	Molded Plug for Dehum Valve						X	X	X					X	X	X

NS – Not Shown

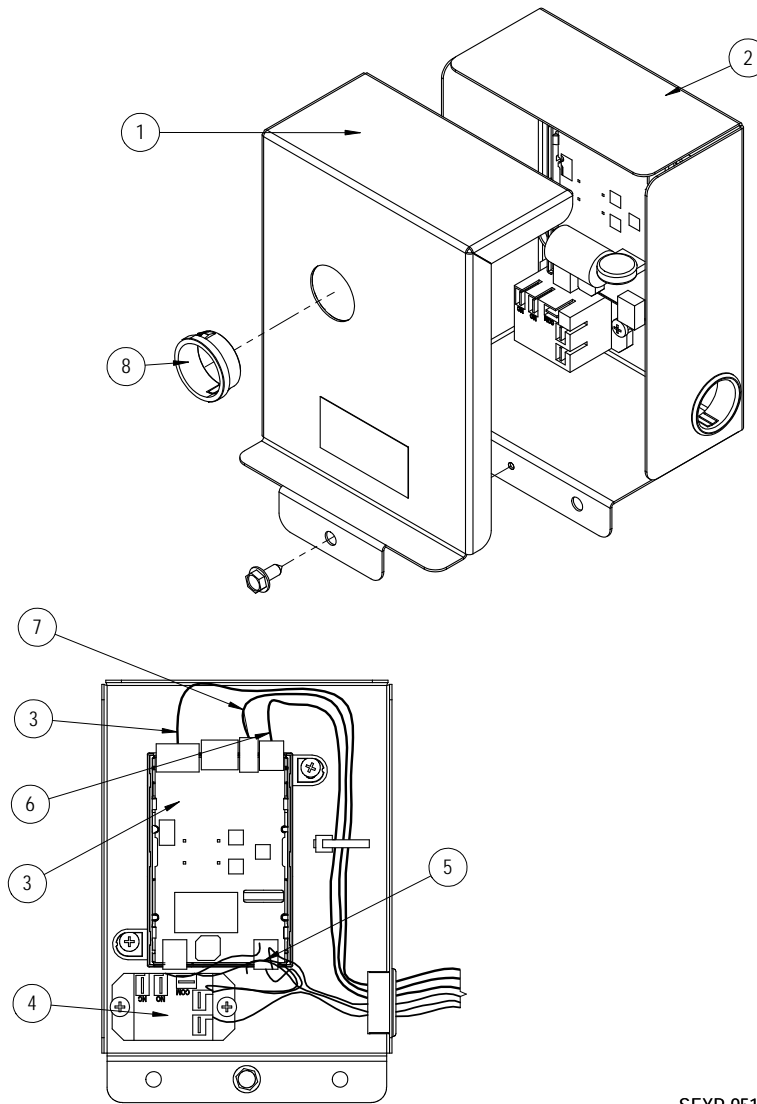
① – Used with stainless steel cabinet option

② – Optional on these models

X – Standard Component

0 – Optional Component

EEV CONTROLLER ASSEMBLY

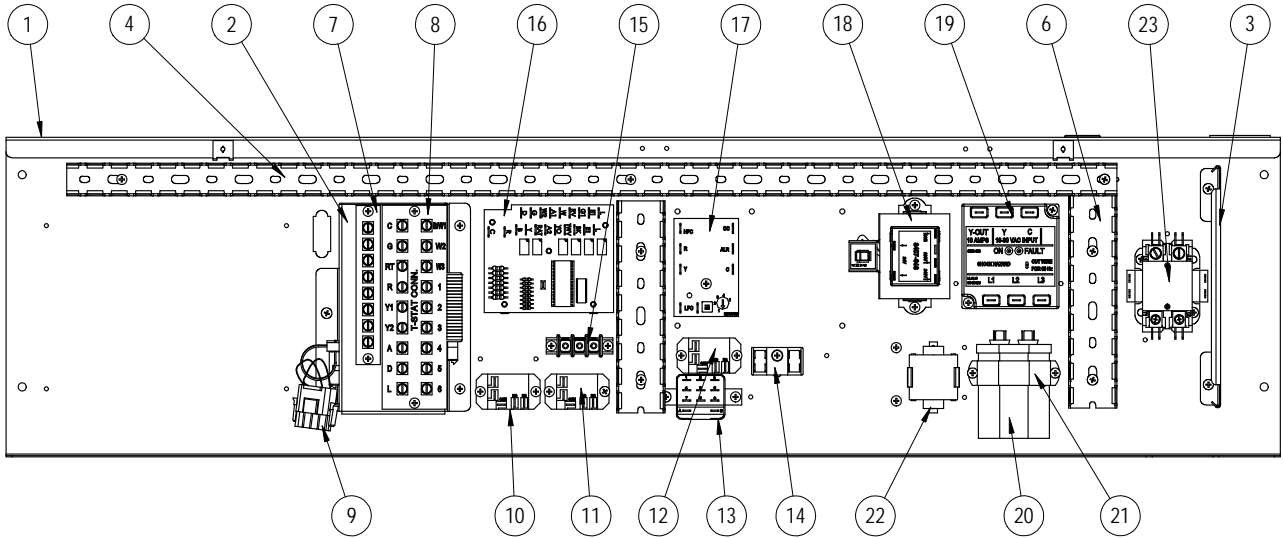


SEXP-951

S910-2050-001

Dwg No.	Part Number	Description	
1	143-219	EEV Control Box Cover	X
2	127-572	EEV Control Box	X
3	S8301-079-0001	EEV Control Module & Stator Cable	X
3	5651-246	EEV Stator Cable Only	X
4	8201-130	Control Relay	X
5	3000-1602	Main Wire Assembly	X
6	3000-1611	Transducer Wire Assembly – Connects to EEV Board	X
NS	3000-1603	Transducer Wire Assembly – Connects to Transducer	
7	8408-056	EEV Thermistor	X
8	8611-075	Clear Snap Plug	X

CONTROL PANEL – STANDARD & DEHUMIDIFICATION



SEXP-928 A

This drawing to be used for reference for pages 15 and 16

CONTROL PANEL – STANDARD & DEHUMIDIFICATION

Dwg No.	Part Number	Description	W42AC-A	W42AC-B	W42AC-C	W42AC-E	W42AC-F	W42ACDA	W42ACDB	W42ACDC	W48AC-A	W48AC-B	W48AC-C	W48AC-E	W48AC-F	W48ACDA	W48ACDB	W48ACDC
1	117-411	Control Panel	X	X	X	X	X	X	X	X	X	X	X	X	X	X	X	X
2	S910-2061	Complete Low Voltage Box Assembly (Sheet metal, Terminal Strip, & Wire Harness)	X	X	X	X	X	X	X	X	X	X	X	X	X	X	X	X
3	135-394	Wire Shield	X	X	X	X	X	X	X	X	X	X	X	X	X	X	X	X
4	8611-140-3208	Cable Duct - 32.5"	X	X	X	X	X	X	X	X	X	X	X	X	X	X	X	X
6	8611-244-0608	Cable Duct - 6.5" x 1.5" wide	2	2	2	2	2	2	2	2	2	2	2	2	2	2	2	2
7	8607-021	Low Voltage Terminal Strip - 8 term.	0	0	0	0	0	0	0	0	0	0	0	0	0	0	0	0
8	8607-063	Low Voltage Terminal Strip - 18 term.	X	X	X	X	X	X	X	X	X	X	X	X	X	X	X	X
9	3000-1524	Vent Jumper Plug (used when no vent option)	X	X	X	X	X	X	X	X	X	X	X	X	X	X	X	X
10	8201-130	Alarm Relay (Kit = CMC-35)	0	0	0	0	0	0	0	0	0	0	0	0	0	0	0	0
11	8201-130	Blower Speed Relay	X	X	X	X	X	X	X	X	X	X	X	X	X	X	X	X
12	8201-130	Dehumidification Control Relay						X	X	X						X	X	X
13	8201-159	Dirty Filter Relay (Kit = CMC-33)	0	0	0	0	0	0	0	0	0	0	0	0	0	0	0	0
14	8607-017	Terminal Block (LAC Kit = CMA-39)	0	0	0	0	0	0	0	0	0	0	0	0	0	0	0	0
15	8607-042	Blower Speed Terminal Block	X	X	X	X	X	X	X	X	X	X	X	X	X	X	X	X
16	8201-113	Dehumidification Logic Board						X	X	X						X	X	X
17	8201-164	Compressor Control Module	X	X	X	X	X	X	X	X	X	X	X	X	X	X	X	X
18	8407-068	Transformer	X	X		X	X	X	X		X	X		X	X	X	X	
18	8407-069	Transformer			X					X			X					X
19	8201-126	Phase Monitor		X	X	X	X		X	X		X	X	X	X		X	X
20	8552-079	Compressor Capacitor	X					X										
20	8552-089	Compressor Capacitor		X							X					X		
20	8552-005	Outdoor Motor Capacitor		X	X	X			X			X		X	X		X	
20	8552-004	Outdoor Motor Capacitor			X					X		X						X
21	8550-008	Capacitor Strap	X					X			X					X		
21	8550-003	Capacitor Strap		X	X	X	X		X	X		X	X	X	X		X	X
22	8551-004	Start Device (PTCR) (Kit = CMC-32)	0					0			0					0		
23	8401-034	Compressor Contactor	X					X			X					X		
23	8401-035	Compressor Contactor		X	X	X	X		X	X		X	X	X	X		X	X
NS	8615-040	Circuit Breaker 50A 2 Pole ①	0					0			0					0		
NS	8615-042	Circuit Breaker 35A 3 Pole ①		0					0			0					0	
NS	8615-052	Circuit Breaker 30A 3 Pole ①			0								0					
NS	S8615-067	Toggle Disconnect			0	0				0			0	0				0
NS	4095-196	Wiring Diagram	X								X							
NS	4095-198	Wiring Diagram		X				X								X		
NS	4095-296	Wiring Diagram		X	X						X		X					
NS	4095-297	Wiring Diagram							X							X		
NS	4095-378	Wiring Diagram			X					X			X					X
NS	4095-379	Wiring Diagram								X								X
NS	4095-640	Wiring Diagram				X								X				
NS	3000-1613	Blower Power Plug	X	X	X	X		X	X	X	X	X	X	X	X	X	X	X
NS	3000-1645	Blower Power Plug				X								X				
NS	3000-1614	Blower Speed Plug	X	X	X	X	X	X	X	X	X	X	X	X	X	X	X	X
NS	3000-1222	Compressor Plug/Harness	X					X			X					X		
NS	3000-1230	Compressor Plug/Harness		X	X	X	X		X	X		X	X	X	X		X	X
NS	3003-053	Control Panel Wire Harness	X								X							
NS	3003-054	Control Panel Wire Harness							X	X							X	X
NS	3003-055	Control Panel Wire Harness		X	X	X					X	X	X					
NS	3003-056	Control Panel Wire Harness				X								X				
NS	3003-057	Control Panel Wire Harness					X								X			
NS	3000-1608	Low Voltage Terminal Block Wire Harness	X	X	X	X	X	X	X	X	X	X	X	X	X	X	X	X

NS = Not Shown

① Circuit breakers listed are for units without electric heat, "0Z" models. See heater replacement parts manual for units with electric heat.

X – Standard Component

0 – Optional Component

CONTROL PANEL – STANDARD & DEHUMIDIFICATION

Dwg No.	Part Number	Description	W60AC-A	W60AC-B	W60AC-C	W60AC-E	W60AC-F	W60ACDA	W60ACDB	W60ACDC	W72AC-A	W72AC-B	W72AC-C	W72AC-F	W72ACDA	W72ACDB	W72ACDC
1	117-411	Control Panel	X	X	X	X	X	X	X	X	X	X	X	X	X	X	X
2	S910-2061	Complete Low Voltage Box Assembly (Sheet metal, Terminal Strip, & Wire Harness)	X	X	X	X	X	X	X	X	X	X	X	X	X	X	X
3	135-394	Wire Shield	X	X	X	X	X	X	X	X	X	X	X	X	X	X	X
4	8611-140-3208	Cable Duct - 32.5"	X	X	X	X	X	X	X	X	X	X	X	X	X	X	X
6	8611-244-0608	Cable Duct - 6.5" x 1.5" wide	2	2	2	2	2	2	2	2	2	2	2	2	2	2	2
7	8607-021	Low Voltage Terminal Strip - 8 term.	0	0	0	0	0	0	0	0	0	0	0	0	0	0	0
8	8607-063	Low Voltage Terminal Strip - 18 term.	X	X	X	X	X	X	X	X	X	X	X	X	X	X	X
9	3000-1524	Vent Jumper Plug (used when no vent option)	X	X	X	X	X	X	X	X	X	X	X	X	X	X	X
10	8201-130	Alarm Relay (Kit = CMC-35)	0	0	0	0	0	0	0	0	0	0	0	0	0	0	0
11	8201-130	Blower Speed Relay	X	X	X	X	X	X	X	X	X	X	X	X	X	X	X
12	8201-130	Dehumidification Control Relay						X	X	X					X	X	X
13	8201-159	Dirty Filter Relay (Kit = CMC-33)	0	0	0	0	0	0	0	0	0	0	0	0	0	0	0
14	8607-017	Terminal Block (LAC Kit = CMA-39)	0	0	0	0	0	0	0	0	0	0	0	0	0	0	0
15	8607-042	Blower Speed Terminal Block	X	X	X	X	X	X	X	X	X	X	X	X	X	X	X
16	8201-113	Dehumidification Logic Board						X	X	X					X	X	X
17	8201-164	Compressor Control Module	X	X	X	X	X	X	X	X	X	X	X	X	X	X	X
18	8407-068	Transformer	X	X		X	X	X		X	X		X	X	X		
18	8407-069	Transformer			X					X			X				X
19	8201-126	Phase Monitor		X	X	X	X		X	X		X	X	X		X	X
20	8552-089	Compressor Capacitor	X					X									
20	8552-097	Compressor Capacitor		X						X						X	
20	8552-005	Outdoor Motor Capacitor			X	X			X			X					X
20	8552-004	Outdoor Motor Capacitor			X					X		X		X		X	
21	8550-008	Capacitor Strap	X					X			X					X	
21	8550-003	Capacitor Strap		X	X	X	X		X	X		X	X	X		X	X
22	8551-004	Start Device (PTCR) (Kit = CMC-32)	0					0			0				0		
23	8401-034	Compressor Contactor	X					X			X				X		
23	8401-035	Compressor Contactor		X	X	X	X		X	X		X	X	X		X	X
NS	8615-041	Circuit Breaker 60A 2 Pole ⊕	0					0			0				0		
NS	8615-043	Circuit Breaker 40A 3 Pole ⊕		0		0			0							0	
NS	8615-045	Circuit Breaker 50A 3 Pole ⊕									0						
NS	S8615-067	Toggle Disconnect			0	0				0		0	0				0
NS	4095-196	Wiring Diagram	X								X						
NS	4095-198	Wiring Diagram						X							X		
NS	4095-296	Wiring Diagram		X		X						X					
NS	4095-297	Wiring Diagram							X							X	
NS	4095-378	Wiring Diagram			X							X					
NS	4095-379	Wiring Diagram								X							X
NS	4095-640	Wiring Diagram					X						X				
NS	3000-1613	Blower Power Plug	X	X	X	X		X	X	X	X	X			X	X	X
NS	3000-1645	Blower Power Plug					X							X			
NS	3000-1614	Blower Speed Plug	X	X	X	X	X	X	X	X	X	X	X	X	X	X	X
NS	3000-1222	Compressor Plug/Harness	X					X			X				X		
NS	3000-1230	Compressor Plug/Harness		X	X	X	X		X	X		X	X	X		X	X
NS	3003-053	Control Panel Wire Harness	X								X						
NS	3003-054	Control Panel Wire Harness							X	X						X	X
NS	3003-055	Control Panel Wire Harness		X	X	X						X	X				
NS	3003-056	Control Panel Wire Harness					X						X				
NS	3003-057	Control Panel Wire Harness						X							X		
NS	3000-1608	Low Voltage Terminal Block Wire Harness	X	X	X	X	X	X	X	X	X	X	X	X	X	X	X

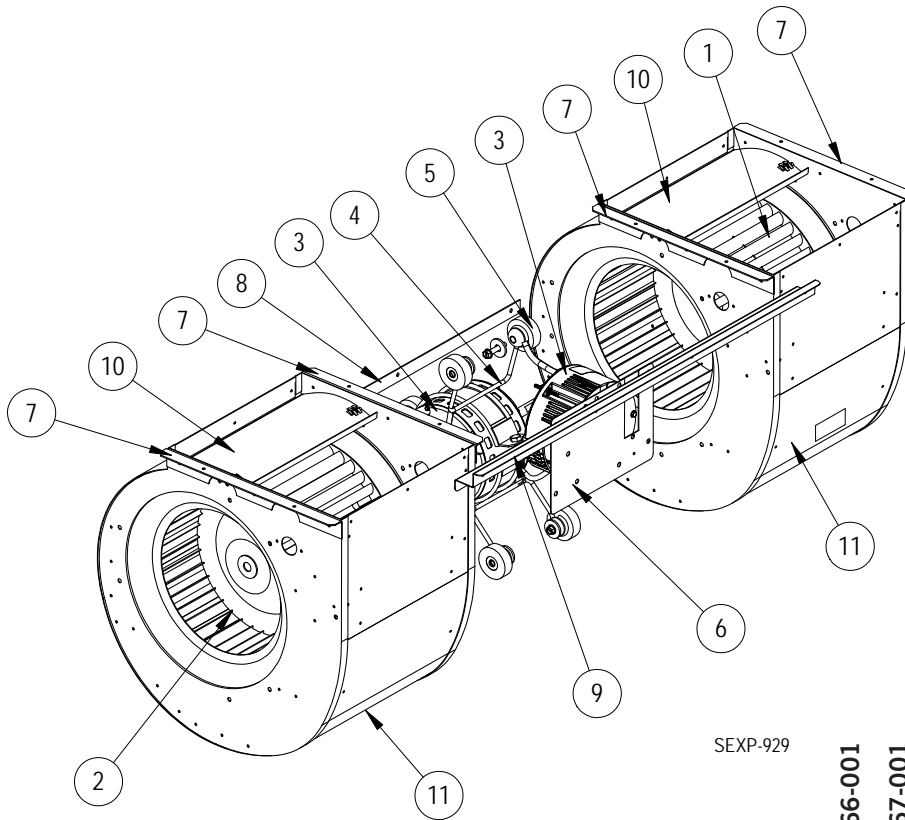
NS = Not Shown

X – Standard Component

⊕ Circuit breakers listed are for units without electric heat, "OZ" models.
See heater replacement parts manual for units with electric heat.

0 – Optional Component

BLOWER ASSEMBLY



SEXP-929

Dwg No.	Part Number	Description	S900-366-001	S900-367-001	S900-368-001	S900-368-002	S900-368-003	S900-369-001	S900-369-002	S900-369-003
1	5152-011	10 Inch Wheel (CW)	X	X	X	X	X	X	X	X
2	5152-012	10 Inch Wheel (CW)	X	X	X	X	X	X	X	X
3	S8106-068-0155	Programmed Blower Motor & Control (230/208V)	X							
3	S8106-069-0156	Programmed Blower Motor & Control (460V)		X						
3	S8107-028-0157	Programmed Blower Motor & Control (230/208V)			X					
3	S8107-028-0159	Programmed Blower Motor & Control (230/208V)				X				
3	S8107-028-0161	Programmed Blower Motor & Control (230/208V)					X			
3	S8107-029-0158	Programmed Blower Motor & Control (460V)						X		
3	S8107-029-0160	Programmed Blower Motor & Control (460V)							X	
3	S8107-029-0162	Programmed Blower Motor & Control (460V)								X
3	C8106-068-0155	Programmed Control Only (230/208V)	0							
3	C8106-069-0156	Programmed Control Only (460V)		0						
3	C8107-028-0157	Programmed Control Only (230/208V)			0					
3	C8107-028-0159	Programmed Control Only (230/208V)				0				
3	C8107-028-0161	Programmed Control Only (230/208V)					0			
3	C8107-029-0158	Programmed Control Only (460V)						0		
3	C8107-029-0160	Programmed Control Only (460V)							0	
3	C8107-029-0162	Programmed Control Only (460V)								0
4	8200-040	Motor Mount	X	X	X	X	X	X	X	X
5	5451-011	Grommets	6	6	6	6	6	6	6	6
6	112-775	Motor Control Bracket	X	X	X	X	X	X	X	X
7	105-880	Side Angle	4	4	4	4	4	4	4	4
8	105-881	Back Brace	X	X	X	X	X	X	X	X
9	103-541	Front Mounting Offset	X	X	X	X	X	X	X	X
10	144-166	Diffuser	2	2	2	2	2	2	2	2
11	151-101	Blower Housing	2	2	2	2	2	2	2	2