
REPLACEMENT PARTS MANUAL

WALL-MOUNTED VARIABLE CAPACITY ENVIRONMENTAL CONTROL UNIT

Models:

W6RV2-S W6LV2-S
W6RV2-T W6LV2-T

Contents

| Description | Page |
|---|------|
| Cabinet Components – Right (Extreme Duty Door) | |
| ♦ Exploded View | 2 |
| ♦ Usage List | 3 |
| Cabinet Components – Right (Moderate Duty Door) | |
| ♦ Exploded View | 4 |
| ♦ Usage List | 5 |
| Cabinet Components – Left (Extreme Duty Door) | |
| ♦ Exploded View | 6 |
| ♦ Usage List | 7 |
| Cabinet Components – Left (Moderate Duty Door) | |
| ♦ Exploded View | 8 |
| ♦ Usage List | 9 |
| Functional Components | |
| ♦ Exploded View – Right Hand | 10 |
| ♦ Exploded View – Left Hand | 11 |
| ♦ Usage List – Right & Left Hand | 12 |

| Description | Page |
|--|------|
| Control Panel | |
| ♦ Layout View – Right Hand | 13 |
| ♦ Layout View – Left Left | 14 |
| ♦ Usage List – Right & Left Hand | 15 |
| Blower Assembly | |
| ♦ Exploded View | 16 |
| ♦ Usage List | 16 |

General Notes

- Revised and/or additional pages may be issued from time to time.
- A complete and current manual consists of pages shown in the following contents section.

Important

- Contact the installing and/or local Bard distributor for all parts requirements. Make sure to have the complete model and serial number available from the unit rating plates.

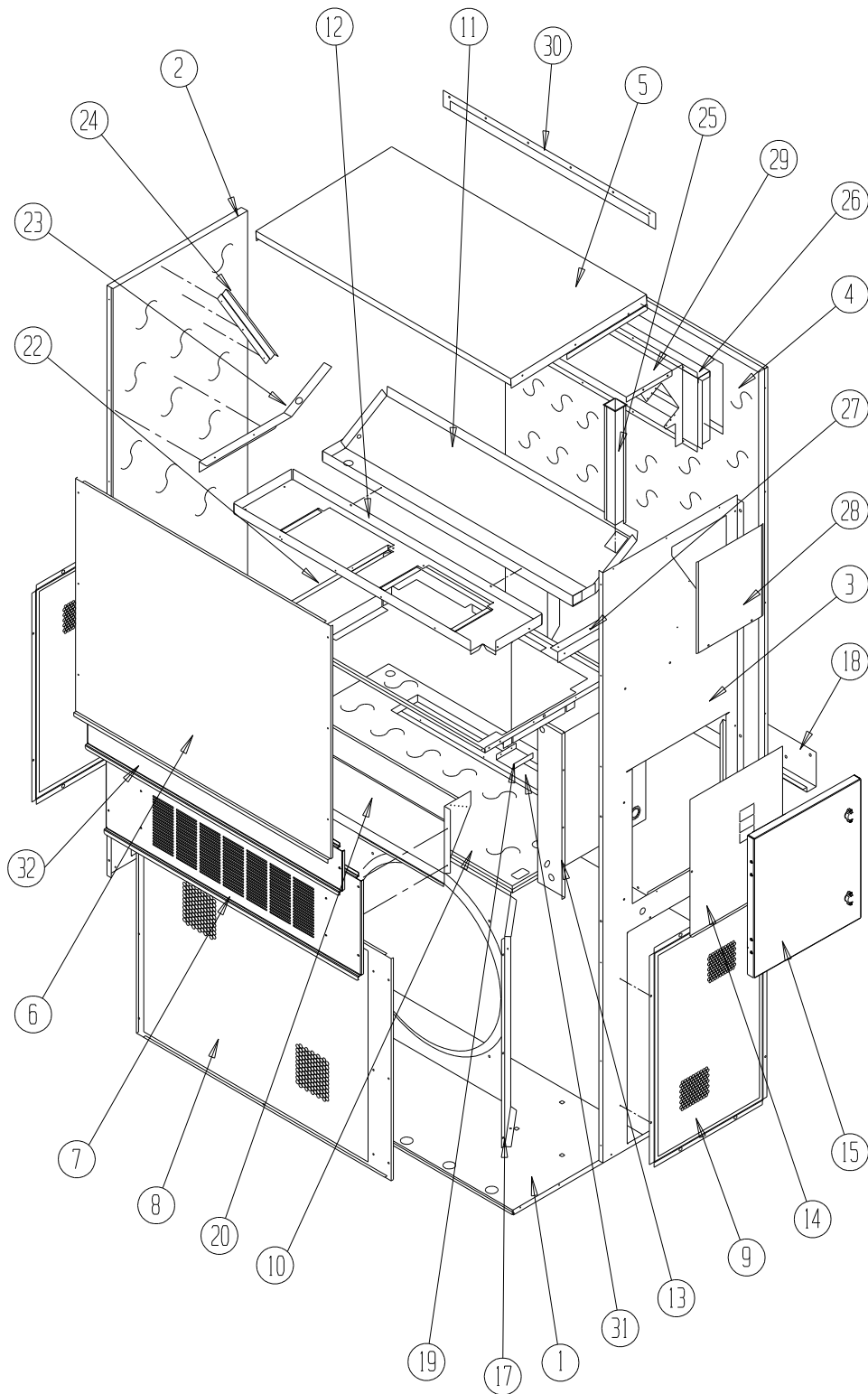


Bard Manufacturing Company, Inc.
Bryan, Ohio 43506
www.bardhvac.com

Manual: 2110-1418E
Supersedes: 2110-1418D
Date: 12-20-18

Climate Control Solutions

CABINET COMPONENTS - RIGHT (EXTREME DUTY DOOR)



SEXP-734

CABINET COMPONENTS – RIGHT (EXTREME DUTY DOOR)

| Drawing No. | Part No. | Description | W6RV2-S | W6RV2-T |
|-------------|---------------------|---|---------|---------|
| 1 | S127-425 | Lower Base | X | X |
| 1 | S127-430 ③ | Lower Base | X | X |
| 2 | S501-819-* ① | Left Side | X | X |
| 2 | S501-822 ② | Left Side | X | X |
| 2 | S501-820 ③ | Left Side | X | X |
| 3 | S501-861-* ① | Right Side | X | X |
| 3 | S501-862 ② | Right Side | X | X |
| 3 | S501-863 ③ | Right Side | X | X |
| 4 | S508-129 | Back | X | X |
| 4 | S508-229 ② | Back | X | X |
| 4 | S508-228 ③ | Back | X | X |
| 5 | S507-307-* ① | Top | X | X |
| 5 | S507-309 ② | Top | X | X |
| 5 | S507-310 ③ | Top | X | X |
| 6 | S515-230-* ① | Upper Front | X | X |
| 6 | S514-231 ② | Upper Front | X | X |
| 6 | S514-232 ③ | Upper Front | X | X |
| 7 | S553-522-* ① | Vent Option Door | X | X |
| 7 | S552-525 ② | Vent Option Door | X | X |
| 7 | S553-527 ③ | Vent Option Door | X | X |
| 8 | 118-052-* ① | Condenser Grille | X | X |
| 8 | 118-080 ② | Condenser Grille | X | X |
| 8 | 118-078 ③ | Condenser Grille | X | X |
| 9 | 118-058-* ① | Side Grille | 2 | 2 |
| 9 | 118-081 ② | Side Grille | 2 | 2 |
| 9 | 118-079 ③ | Side Grille | 2 | 2 |
| 10 | S521X462 | Condenser Partition | X | X |
| 11 | S123-125 | Drain Pan | X | X |
| 12 | 121X463 | Blower Partition | X | X |
| 13 | Control Panel Assy. | See Control Panel Assy. Dwg. & Parts List | X | X |
| 14 | S132-114 | Control Panel Cover (Inner) | X | |
| 14 | S132-183 | Control Panel Cover (Inner) | | X |
| 15 | DDD5A-* ① | Control Panel Cover (Outer) | X | X |
| 15 | DDD5A-S ④ | Control Panel Cover (Outer) | X | X |
| 17 | 125-029 | Fan Shroud | X | X |
| 17 | 125-059 ③ | Fan Shroud | X | X |
| 18 | 113-140 | Bottom Mounting Bracket | X | X |
| 19 | 137-209 | Fill | X | X |
| 20 | BFAD-5 | Fresh Air Damper Assembly | X | X |
| 22 | 131X099 | Filter Tray | X | X |
| 23 | 105X877 | Left Side Support | X | X |
| 24 | 147-046 | Left Evaporator Support | X | X |
| 25 | 135-128 | Raceway | X | X |
| 26 | S111X034 | Outlet Air Frame Assembly | X | X |
| 27 | 105X878 | Right Side Support | X | X |
| 28 | S543-172-* ① | Heater Access Cover Assembly | X | X |
| 28 | S543-176 ② | Heater Access Cover Assembly | X | X |
| 28 | S543-177 ③ | Heater Access Cover Assembly | X | X |
| 29 | 135-129 | Heat Shield | X | X |
| 30 | 113-150-* ① | Top Rain Flashing | X | X |
| 30 | 113-359 ③ | Top Rain Flashing | X | X |
| 31 | S536X610 | Condenser Partition Block-Off Plate | X | X |
| 32 | S553-521-* ① | Filter Door Assembly | X | X |
| 32 | S552-526 ② | Filter Door Assembly | X | X |
| 32 | S553-528 ③ | Filter Door Assembly | X | X |
| NS | 105-1302 | Grommet Retainer | X | X |

① Exterior cabinet parts are manufactured with various paint color options. To ensure the proper paint color is received, include the complete model and serial number of the unit for which cabinet parts are being ordered.

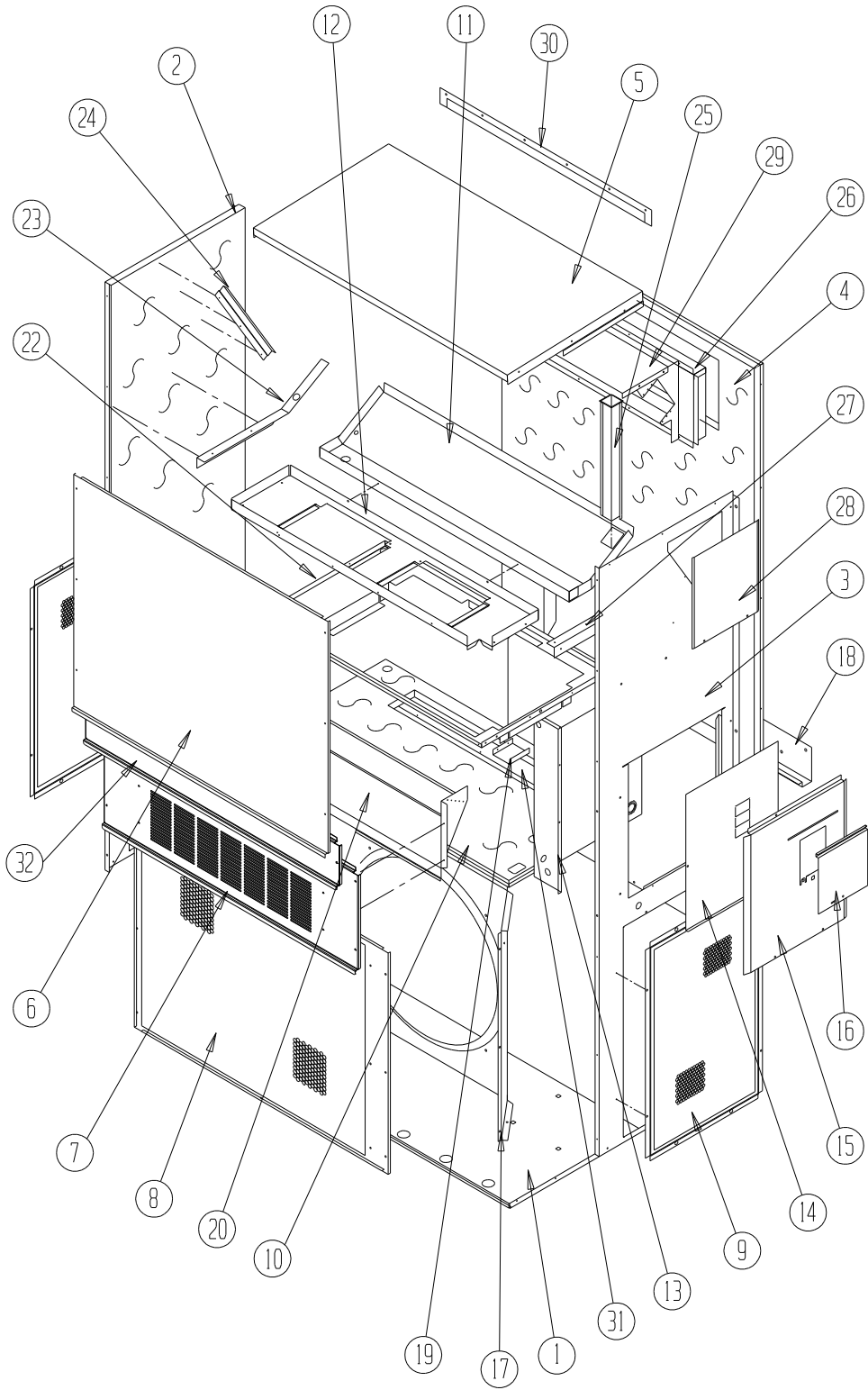
② Exterior cabinet parts are manufactured from aluminum Code "A"

③ Exterior cabinet parts are manufactured from stainless steel Code "S"

④ Exterior cabinet parts are used for both aluminum and stainless steel cabinets

NS – Not Shown

CABINET COMPONENTS - RIGHT (MODERATE DUTY DOOR)



SEXP-735

CABINET COMPONENTS – RIGHT (MODERATE DUTY DOOR)

| Drawing No. | Part No. | Description | W6RV2-S | W6RV2-T |
|-------------|---------------------|---|---------|---------|
| 1 | S127-425 | Lower Base | X | X |
| 1 | S127-430 ③ | Lower Base | X | X |
| 2 | S501-819-* ① | Left Side | X | X |
| 2 | S501-822 ② | Left Side | X | X |
| 2 | S501-820 ③ | Left Side | X | X |
| 3 | S501-818-* ① | Right Side | X | X |
| 3 | S501-823 ② | Right Side | X | X |
| 3 | S501-821 ③ | Right Side | X | X |
| 4 | S508-129 | Back | X | X |
| 4 | S508-229 ② | Back | X | X |
| 4 | S508-228 ③ | Back | X | X |
| 5 | S507-307-* ① | Top | X | X |
| 5 | S507-309 ② | Top | X | X |
| 5 | S507-310 ③ | Top | X | X |
| 6 | S515-230-* ① | Upper Front | X | X |
| 6 | S514-231 ② | Upper Front | X | X |
| 6 | S514-232 ③ | Upper Front | X | X |
| 7 | S553-522-* ① | Vent Option Door | X | X |
| 7 | S552-525 ② | Vent Option Door | X | X |
| 7 | S553-527 ③ | Vent Option Door | X | X |
| 8 | 118-052-* ① | Condenser Grille | X | X |
| 8 | 118-080 ② | Condenser Grille | X | X |
| 8 | 118-078 ③ | Condenser Grille | X | X |
| 9 | 118-058-* ① | Side Grille | 2 | 2 |
| 9 | 118-081 ② | Side Grille | 2 | 2 |
| 9 | 118-079 ③ | Side Grille | 2 | 2 |
| 10 | S521X462 | Condenser Partition | X | X |
| 11 | S123-125 | Drain Pan | X | X |
| 12 | 121X463 | Blower Partition | X | X |
| 13 | Control Panel Assy. | See Control Panel Assy. Dwg. & Parts List | X | X |
| 14 | S132-114 | Control Panel Cover (Inner) | X | |
| 14 | S132-183 | Control Panel Cover (Inner) | | X |
| 15 | S533-225-* ① | Control Panel Cover (Outer) | X | X |
| 15 | S533-229 ② | Control Panel Cover (Outer) | X | X |
| 15 | S533-230 ③ | Control Panel Cover (Outer) | X | X |
| 16 | S153-218-* ① | Disconnect Access Door | X | X |
| 16 | S153-387 ② | Disconnect Access Door | X | X |
| 16 | S153-405 ③ | Disconnect Access Door | X | X |
| 17 | 125-029 | Fan Shroud | X | X |
| 17 | 125-059 ③ | Fan Shroud | X | X |
| 18 | 113-140 | Bottom Mounting Bracket | X | X |
| 19 | 137-209 | Fill | X | X |
| 20 | BFAD-5 | Fresh Air Damper Assembly | X | X |
| 22 | 131X099 | Filter Tray | X | X |
| 23 | 105X877 | Left Side Support | X | X |
| 24 | 147-046 | Left Evaporator Support | X | X |
| 25 | 135-128 | Raceway | X | X |
| 26 | S111X034 | Outlet Air Frame Assembly | X | X |
| 27 | 105X878 | Right Side Support | X | X |
| 28 | S543-172-* ① | Heater Access Cover Assembly | X | X |
| 28 | S543-176 ② | Heater Access Cover Assembly | X | X |
| 28 | S543-177 ③ | Heater Access Cover Assembly | X | X |
| 29 | 135-129 | Heat Shield | X | X |
| 30 | 113-150-* ① | Top Rain Flashing | X | X |
| 30 | 113-359 ③ | Top Rain Flashing | X | X |
| 31 | S536X610 | Condenser Partition Block-Off Plate | X | X |
| 32 | S553-521-* ① | Filter Door Assembly | X | X |
| 32 | S552-526 ② | Filter Door Assembly | X | X |
| 32 | S553-528 ③ | Filter Door Assembly | X | X |
| NS | 105-1302 | Grommet Retainer | X | X |

① Exterior cabinet parts are manufactured with various paint color options. To ensure the proper paint color is received, include the complete model and serial number of the unit for which cabinet parts are being ordered.

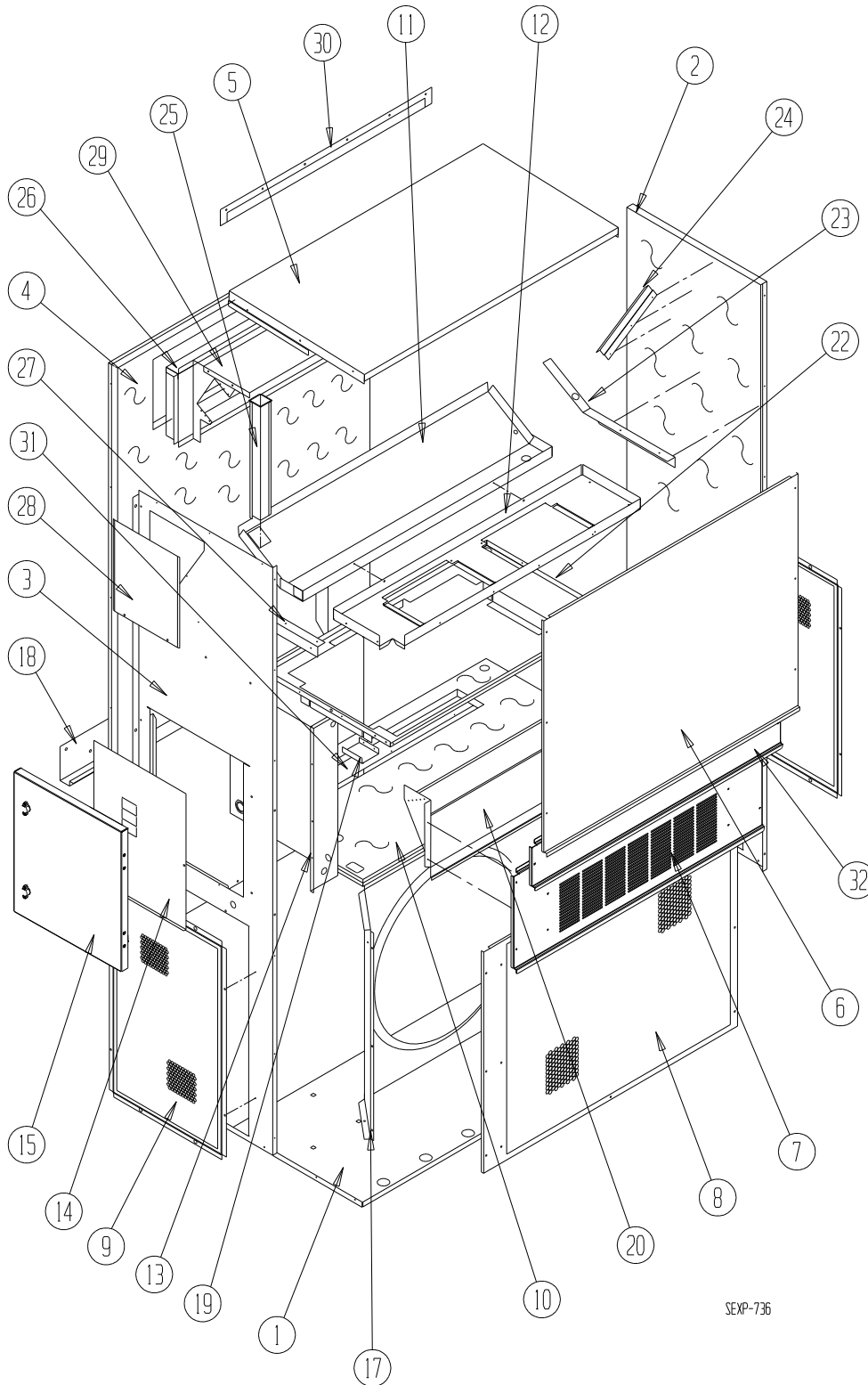
② Exterior cabinet parts are manufactured from aluminum Code "A"

③ Exterior cabinet parts are manufactured from stainless steel Code "S"

④ Exterior cabinet parts are used for both aluminum and stainless steel cabinets

NS – Not Shown

CABINET COMPONENTS - LEFT (EXTREME DUTY DOOR)



SEXP-736

CABINET COMPONENTS – LEFT (EXTREME DUTY DOOR)

| Drawing No. | Part No. | Description | W6LV2-S | W6LV2-T |
|-------------|------------------------|---|---------|---------|
| 1 | S127Y428 | Lower Base | X | X |
| 1 | S127Y436 ③ | Lower Base | X | X |
| 2 | S501-830-* ① | Right Side | X | X |
| 2 | S501-835 ② | Right Side | X | X |
| 2 | S501Y833 ③ | Right Side | X | X |
| 3 | S501-864-* ① | Left Side | X | X |
| 3 | S501-865 ② | Left Side | X | X |
| 3 | S501-866 ③ | Left Side | X | X |
| 4 | S508-129 | Back | X | X |
| 4 | S508-229 ② | Back | X | X |
| 4 | S508-228 ③ | Back | X | X |
| 5 | S507-307-* ① | Top | X | X |
| 5 | S507-309 ② | Top | X | X |
| 5 | S507-310 ③ | Top | X | X |
| 6 | S515-230-* ① | Upper Front | X | X |
| 6 | S514-231 ② | Upper Front | X | X |
| 6 | S514-232 ③ | Upper Front | X | X |
| 7 | S553-522-* ① | Vent Option Door | X | X |
| 7 | S552-525 ② | Vent Option Door | X | X |
| 7 | S553-527 ③ | Vent Option Door | X | X |
| 8 | 118-053-* ① | Condenser Grille | X | X |
| 8 | 118-082 ② | Condenser Grille | X | X |
| 8 | 118-078 ③ | Condenser Grille | X | X |
| 9 | 118-058-* ① | Side Grille | 2 | 2 |
| 9 | 118-081 ② | Side Grille | 2 | 2 |
| 9 | 118-079 ③ | Side Grille | 2 | 2 |
| 10 | S521Y462 | Condenser Partition | X | X |
| 11 | 123-137 | Drain Pan | X | X |
| 12 | 121Y463 | Blower Partition | X | X |
| 13 | Control Panel Assembly | See Control Panel Assembly Drawing and Parts List | X | X |
| 14 | S133-114 | Control Panel Cover (Inner) | X | |
| 14 | S133-306 | Control Panel Cover (Inner) | | X |
| 15 | DDD5L-* ① | Control Panel Cover (Outer) | X | X |
| 15 | DDD5L-S ④ | Control Panel Cover (Outer) | X | X |
| 17 | 125-029 | Fan Shroud | X | X |
| 17 | 125-059 ③ | Fan Shroud | X | X |
| 18 | 113-140 | Bottom Mounting Bracket | X | X |
| 19 | 137-209 | Fill | X | X |
| 20 | BFAD-5 | Fresh Air Damper Assembly | X | X |
| 22 | 131Y099 | Filter Tray | X | X |
| 23 | 105Y878 | Left Side Support | X | X |
| 24 | 147-046 | Left Evaporator Support | X | X |
| 25 | 135-128 | Raceway | 2 | 2 |
| 26 | S111Y034 | Outlet Air Frame Assembly | X | X |
| 27 | 105Y877 | Right Side Support | X | X |
| 28 | S543-172-* ① | Heater Access Cover Assembly | X | X |
| 28 | S543-176 ② | Heater Access Cover Assembly | X | X |
| 28 | S543-177 ③ | Heater Access Cover Assembly | X | X |
| 29 | 135-129 | Heat Shield | X | X |
| 30 | 113-150-* ① | Top Rain Flashing | X | X |
| 30 | 113-359 ③ | Top Rain Flashing | X | X |
| 31 | S536Y610 | Condenser Partition Block-Off Plate | X | X |
| 32 | S553-521-* ① | Filter Door Assembly | X | X |
| 32 | S552-526 ② | Filter Door Assembly | X | X |
| 32 | S553-528 ③ | Filter Door Assembly | X | X |
| NS | 105-1302 | Grommet Retainer | X | X |

① Exterior cabinet parts are manufactured with various paint color options. To ensure the proper paint color is received, include the complete model and serial number of the unit for which cabinet parts are being ordered.

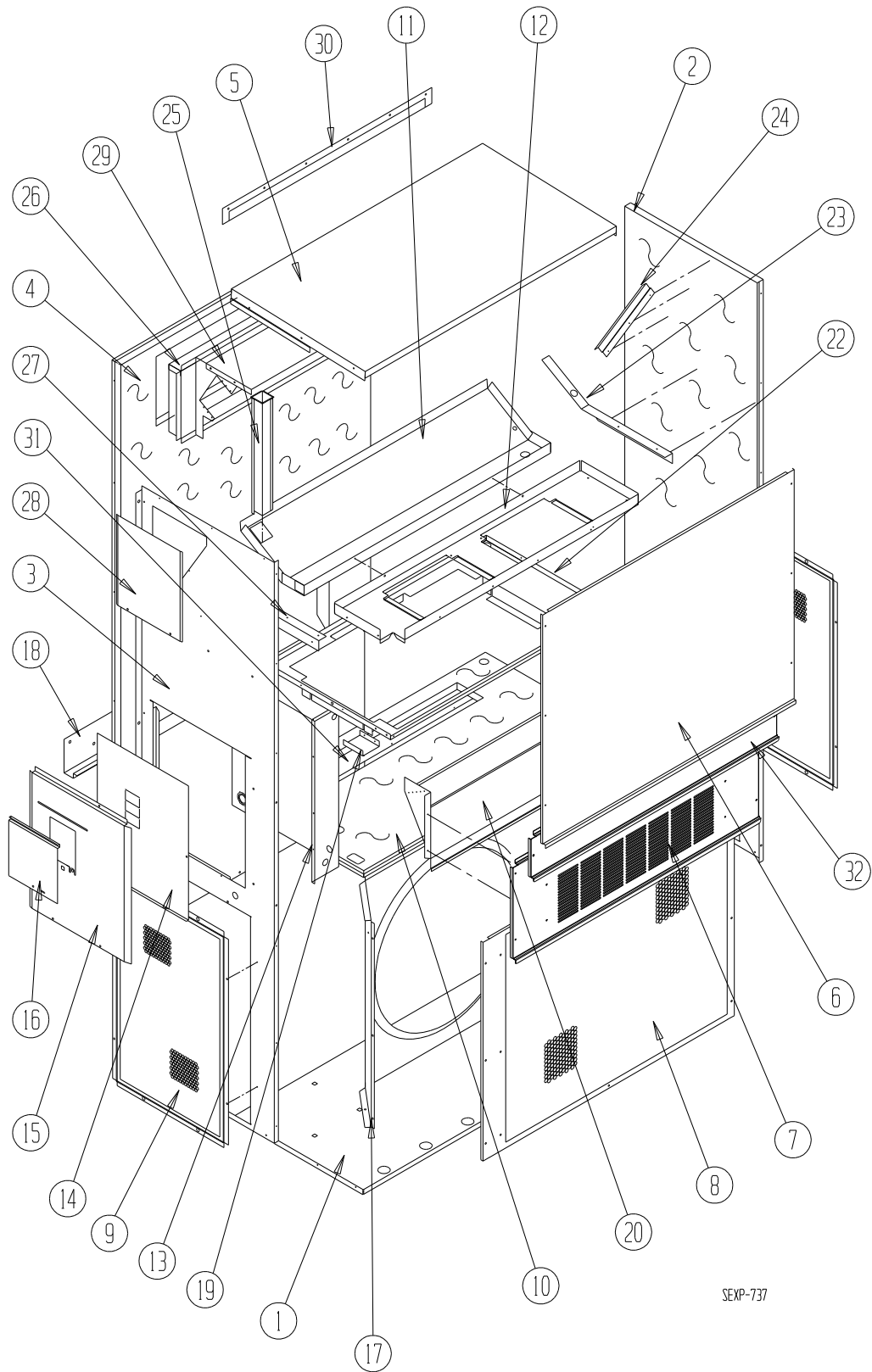
② Exterior cabinet parts are manufactured from aluminum Code "A"

③ Exterior cabinet parts are manufactured from stainless steel Code "S"

④ Exterior cabinet parts are used for both aluminum and stainless steel cabinets

NS – Not Shown

CABINET COMPONENTS - LEFT (MODERATE DUTY DOOR)



SEXP-737

CABINET COMPONENTS – LEFT (MODERATE DUTY DOOR)

| Drawing No. | Part No. | Description | W6LV2-S | W6LV2-T |
|-------------|------------------------|---|---------|---------|
| 1 | S127Y428 | Lower Base | X | X |
| 1 | S127Y436 ③ | Lower Base | X | X |
| 2 | S501-830-* ① | Right Side | X | X |
| 2 | S501-835 ② | Right Side | X | X |
| 2 | S501-833 ③ | Right Side | X | X |
| 3 | S501-831-* ① | Left Side | X | X |
| 3 | S501-834 ② | Left Side | X | X |
| 3 | S501-832 ③ | Left Side | X | X |
| 4 | S508-129 | Back | X | X |
| 4 | S508-229 ② | Back | X | X |
| 4 | S508-228 ③ | Back | X | X |
| 5 | S507-307-* ① | Top | X | X |
| 5 | S507-309 ② | Top | X | X |
| 5 | S507-310 ③ | Top | X | X |
| 6 | S515-230-* ① | Upper Front | X | X |
| 6 | S514-231 ② | Upper Front | X | X |
| 6 | S514-232 ③ | Upper Front | X | X |
| 7 | S553-522-* ① | Vent Option Door | X | X |
| 7 | S552-525 ② | Vent Option Door | X | X |
| 7 | S553-527 ③ | Vent Option Door | X | X |
| 8 | 118-053-* ① | Condenser Grille | X | X |
| 8 | 118-080 ② | Condenser Grille | X | X |
| 8 | 118-078 ③ | Condenser Grille | X | X |
| 9 | 118-058-* ① | Side Grille | 2 | 2 |
| 9 | 118-081 ② | Side Grille | 2 | 2 |
| 9 | 118-079 ③ | Side Grille | 2 | 2 |
| 10 | S521Y462 | Condenser Partition | X | X |
| 11 | 123-137 | Drain Pan | X | X |
| 12 | 121Y463 | Blower Partition | X | X |
| 13 | Control Panel Assembly | See Control Panel Assembly Drawing and Parts List | X | X |
| 14 | S133-114 | Control Panel Cover (Inner) | X | |
| 14 | S133-306 | Control Panel Cover (Inner) | | X |
| 15 | S533-227-* ① | Control Panel Cover (Outer) | X | X |
| 15 | S533-231 ② | Control Panel Cover (Outer) | X | X |
| 15 | S533-233 ③ | Control Panel Cover (Outer) | X | X |
| 16 | S153-218-* ① | Disconnect Access Door | X | X |
| 16 | S153-387 ② | Disconnect Access Door | X | X |
| 16 | S153-405 ③ | Disconnect Access Door | X | X |
| 17 | 125-029 | Fan Shroud | X | X |
| 17 | 125-059 ③ | Fan Shroud | X | X |
| 18 | 113-140 | Bottom Mounting Bracket | X | X |
| 19 | 137-209 | Fill | X | X |
| 20 | BFAD-5 | Fresh Air Damper Assembly | X | X |
| 22 | 131Y099 | Filter Tray | X | X |
| 23 | 105Y878 | Left Side Support | X | X |
| 24 | 147-046 | Left Evaporator Support | X | X |
| 25 | 135-128 | Raceway | 2 | 2 |
| 26 | S111Y034 | Outlet Air Frame Assembly | X | X |
| 27 | 105Y877 | Right Side Support | X | X |
| 28 | S543-172-* ① | Heater Access Cover Assembly | X | X |
| 28 | S543-176 ② | Heater Access Cover Assembly | X | X |
| 28 | S543-177 ③ | Heater Access Cover Assembly | X | X |
| 29 | 135-129 | Heat Shield | X | X |
| 30 | 113-150-* ① | Top Rain Flashing | X | X |
| 30 | 113-359 ③ | Top Rain Flashing | X | X |
| 31 | S536Y610 | Condenser Partition Block-Off Plate | X | X |
| 32 | S553-521-* ① | Filter Door Assembly | X | X |
| 32 | S552-526 ② | Filter Door Assembly | X | X |
| 32 | S553-528 ③ | Filter Door Assembly | X | X |
| NS | 105-1302 | Grommet Retainer | X | X |

① Exterior cabinet parts are manufactured with various paint color options. To ensure the proper paint color is received, include the complete model and serial number of the unit for which cabinet parts are being ordered.

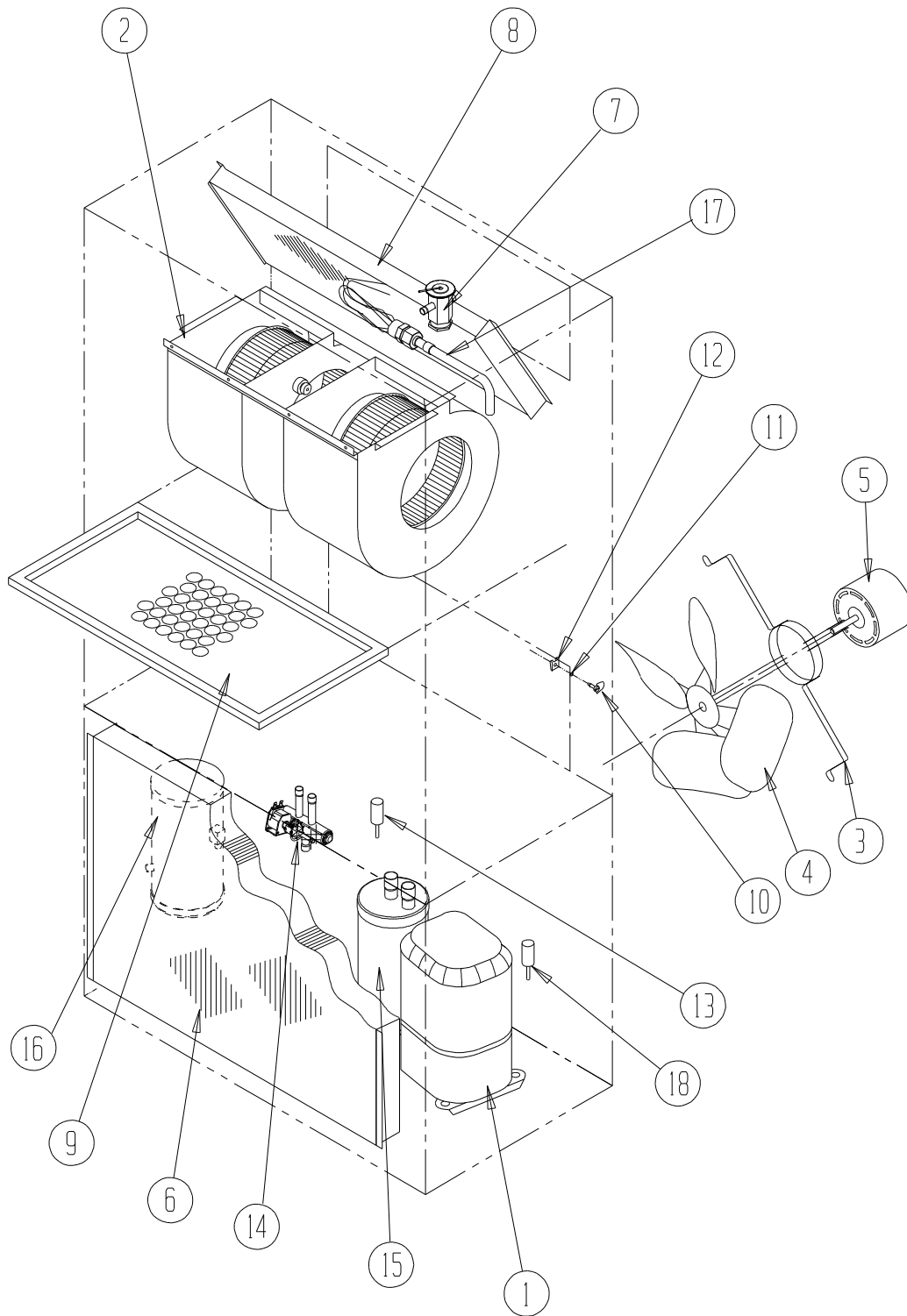
② Exterior cabinet parts are manufactured from aluminum Code "A"

③ Exterior cabinet parts are manufactured from stainless steel Code "S"

④ Exterior cabinet parts are used for both aluminum and stainless steel cabinets

NS – Not Shown

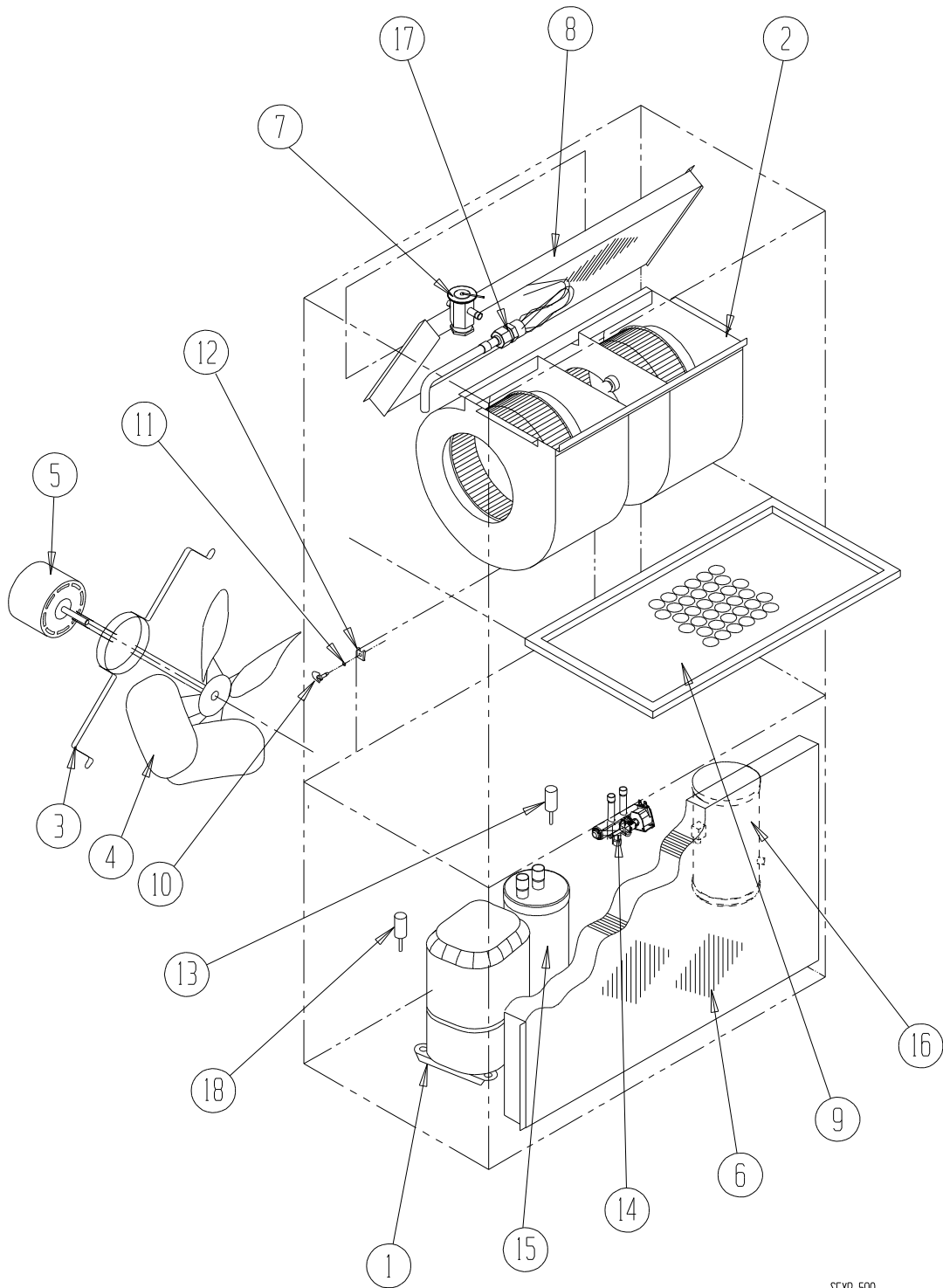
FUNCTIONAL COMPONENTS - RIGHT HAND



SEXP-589

This exploded view references table on page 12

FUNCTIONAL COMPONENTS - LEFT HAND



SEXP-590

This exploded view references table on page 12

FUNCTIONAL COMPONENTS – RIGHT & LEFT HAND

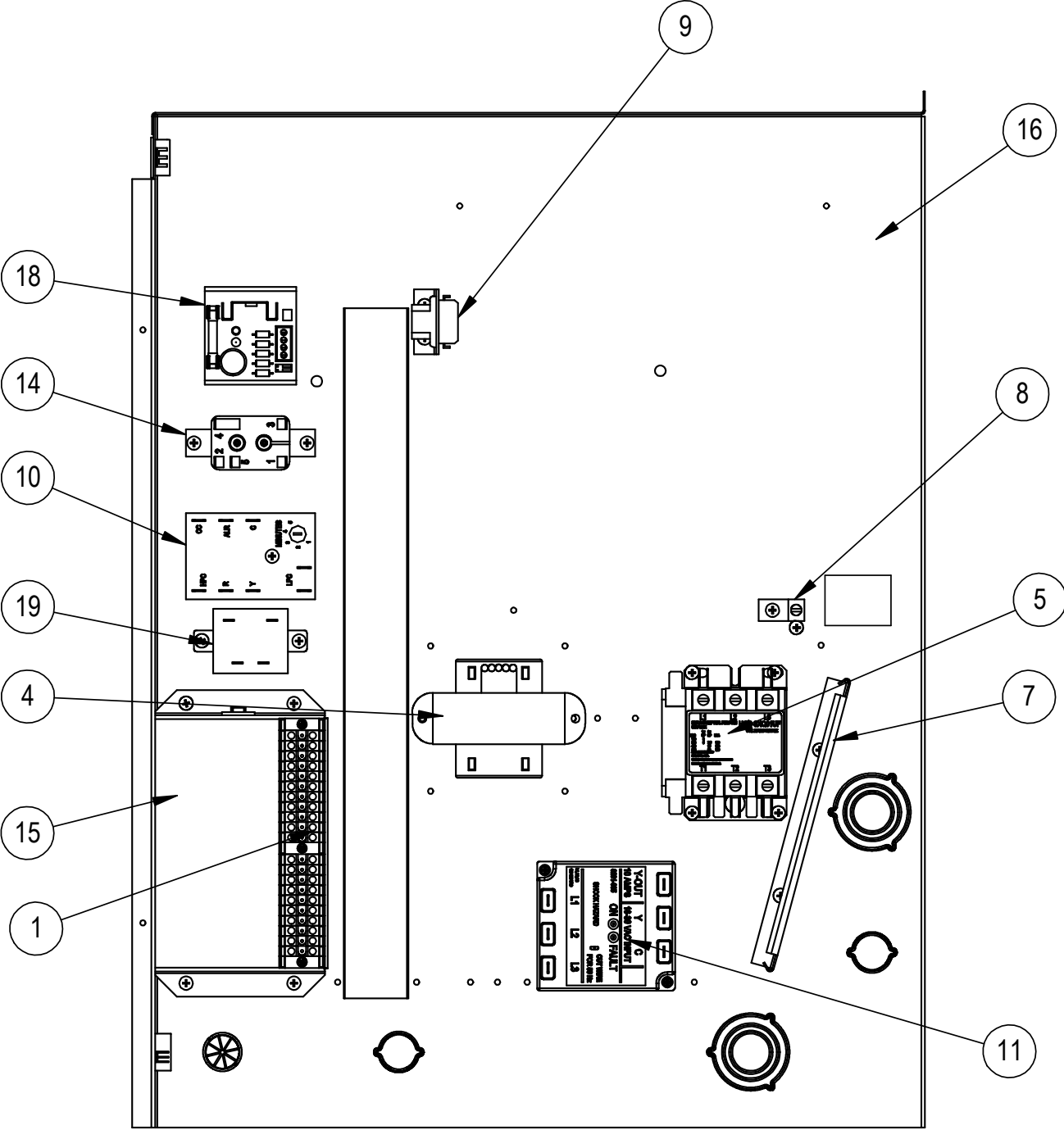
| Drawing No. | Part No. | Description | W6RV2-S | W6RV2-T | W6LV2-S | W6LV2-T |
|-------------|----------------|--|---------|---------|---------|---------|
| 1 | 8000-358 | Compressor | X | | X | |
| 1 | 8000-359 | Compressor | | X | | X |
| 2 | S900-340-001 | Blower Assembly | X | | X | |
| 2 | S900-341-001 | Blower Assembly | | X | | X |
| 3 | 8200-004 | Fan Motor Mount | X | X | X | X |
| 4 | 5151-060 | Fan Blade | X | X | X | X |
| 5 | S8106-061-0132 | 1/2 HP ECM Motor with Programmed Control | X | | X | |
| 5 | S8106-058-0133 | 1/2 HP ECM Motor with Programmed Control | | X | | X |
| 6 | 5051-088BX | Condenser Coil | X | X | X | X |
| 7 | 5651-213 | Cooling TXV | X | X | X | X |
| 8 | 5060-082BX | Evaporator Coil | X | X | X | X |
| 9 | 7004-016 | Air Filter 1" Throw-Away | X | X | X | X |
| 9 | 7003-030 | Air Filter 1" Washable ① | X | X | X | X |
| 9 | 7004-027 | Air Filter 2" Pleated ① | X | X | X | X |
| 10 | 1171-022 | 1/4 Turn Fastener | X | X | X | X |
| 11 | 1171-024 | 1/4 Turn Retainer | X | X | X | X |
| 12 | 1171-023 | 1/4 Turn Receptacle | X | X | X | X |
| 13 | 1804-0462 | High Pressure Switch (Flare) - Red Leads | X | X | X | X |
| 14 | 5650-049 | Solenoid Valve | X | X | X | X |
| 15 | 5202-018 | Accumulator | X | X | X | X |
| 16 | 5203-007 | Receiver | X | X | X | X |
| 17 | 800-0395 | Cooling Distributor Assembly | X | X | X | X |
| 18 | 1804-0107 | Low Pressure Switch (Flare) - Blue Leads | X | X | X | X |
| NS | 5201-002 | Filter Drier | X | X | X | X |
| NS | 8605-017 | Crankcase Heater | X | | X | |
| NS | 8605-018 | Crankcase Heate | | X | | X |
| NS | 8408-039 | Discharge Line Thermostat | X | X | X | X |
| NS | 8406-128 | Pressure Transducer | X | X | X | X |
| NS | 5451-024 | Grommet Retainer | 2 | 2 | 2 | 2 |

NS – Not Shown

① – Optional

This table references exploded views on pages 10 & 11

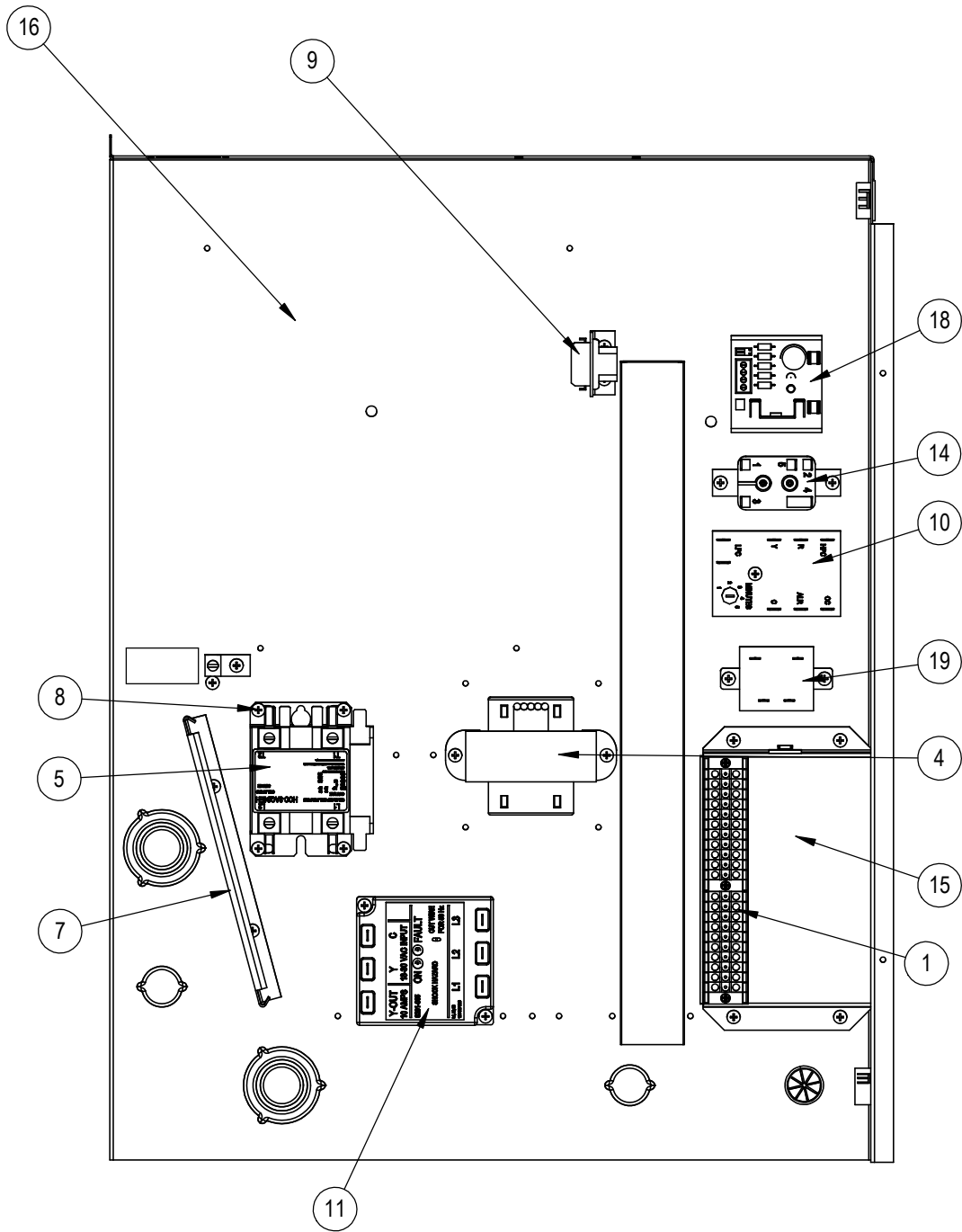
CONTROL PANEL - RIGHT HAND



SEXP-738 A

This layout view references table on page 15

CONTROL PANEL - LEFT HAND



SEXP-739 A

This layout view references table on page 15

CONTROL PANEL – RIGHT & LEFT HAND

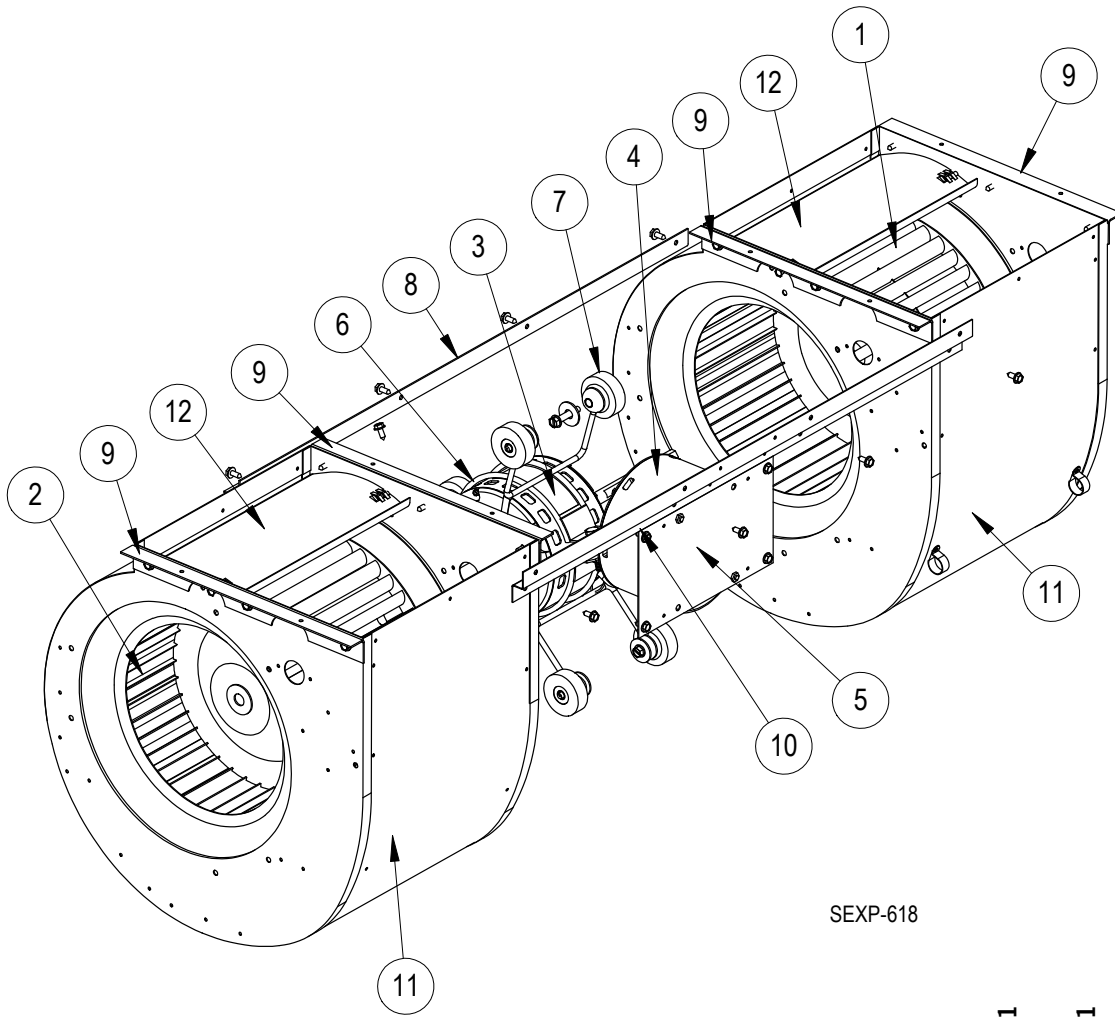
| Drawing No. | Part No. | Description | W6RV2-S | W6RV2-T | W6LV2-S | W6LV2-T |
|-------------|-----------|------------------------------------|---------|---------|---------|---------|
| 1 | 8607-036 | Low Voltage Terminal Strip | X | X | X | X |
| 4 | 8407-071 | Transformer | X | | X | |
| 4 | 8407-072 | Transformer | | X | | X |
| 5 | 8401-037 | Compressor Contactor | X | X | X | X |
| 7 | 135-130 | Wire Shield | X | X | X | X |
| 8 | 8611-006 | Ground Terminal | X | X | X | X |
| 9 | 3000-1463 | 6 Pin Connector | X | X | X | X |
| 10 | 8201-148 | Compressor Control Module | X | X | X | X |
| 11 | 8201-126 | Phase Monitor | X | X | X | X |
| 14 | 8201-062 | Alarm Relay | X | X | X | X |
| 15 | S117-350 | Low Voltage Box | X | X | X | X |
| 16 | 117X351 | Control Panel | X | X | | |
| 16 | 117Y351 | Control Panel | | | X | X |
| 18 | 8301-041 | 5VDC Supply | X | X | X | X |
| 19 | 8201-149 | Solid State Relay | X | X | X | X |
| NS | 8301-014 | Outdoor Air Sensor | X | X | X | X |
| NS | 8403-066 | Thermostat Controller | X | X | X | X |
| NS | 8615-043 | Circuit Breaker 40A 3 Pole (Opt) ① | X | | X | |
| NS | 8615-068 | Toggle Disconnect (Optional) | | X | | X |
| NS | 3000-1361 | Pressure Transducer Harness | X | X | X | X |
| NS | 3000-1230 | Compressor Harness | X | X | X | X |
| NS | 4095-275 | Wiring Diagram | X | | X | |
| NS | 4095-375 | Wiring Diagram | | X | | X |

NS – Not Shown

- ① Circuit breakers listed are for units without electric heat "OZ" models.
See Heater Replacement Parts Manual for units with electric heat.

This table references layout views on pages 13 & 14

BLOWER ASSEMBLY



SEXP-618

| Drawing No. | Part No. | Description | 900-340-001 | 900-341-001 |
|-------------|----------------|----------------------------|-------------|-------------|
| 1 | 5152-011 | Wheel (CW) | X | X |
| 2 | 5152-012 | Wheel (CCW) | X | X |
| 3 | S8107-023-0130 | Programmed Motor w/Control | X | |
| 3 | S8107-024-0131 | Programmed Motor w/Control | | X |
| 4 | C8107-023-0130 | Control Only | X | |
| 4 | C8107-024-0131 | Control Only | | X |
| 5 | 112-344 | Blower Motor Control Mount | X | X |
| 6 | 8200-040 | Motor Mount | X | X |
| 7 | 5451-011 | Grommets | 6 | 6 |
| 8 | 105-881 | Back Brace | X | X |
| 9 | 105-880 | Blower Angle | 4 | 4 |
| 10 | 103-389 | Front Brace | X | X |
| 11 | 151-101 | Blower Housing | 2 | 2 |
| 12 | 144-166 | Diffuser | 2 | 2 |