
REPLACEMENT PARTS MANUAL

WALL-MOUNTED PACKAGED AIR CONDITONER

Models:

W30A2-A	W36A2-A	W30A2DA	W36A2DA
W30A2-B	W36A2-B	W30A2DB	W36A2DB
W30A2-C	W36A2-C	W30A2DC	W36A2DC
W30A2-D	W36A2-D		
W30A2-F	W36A2-E		
	W36A2-F		

Contents

Description	Page	Description	Page
Cabinet Components		Blower Assembly	
♦ Exploded View	2	♦ Exploded View	12
♦ Usage List	3	♦ Usage List	12
Functional Components			
♦ Exploded View	4		
♦ Usage List – Standard Units	5		
♦ Usage List – Dehumidification Units	6		
Control Panel – Standard Units			
♦ Layout View	8		
♦ Usage List	9		
Control Panel – Dehumidification Units			
♦ Layout View	10		
♦ Usage List	11		

General Notes

- Revised and/or additional pages may be issued from time to time.
- A complete and current manual consists of pages shown in the following contents section.

Important

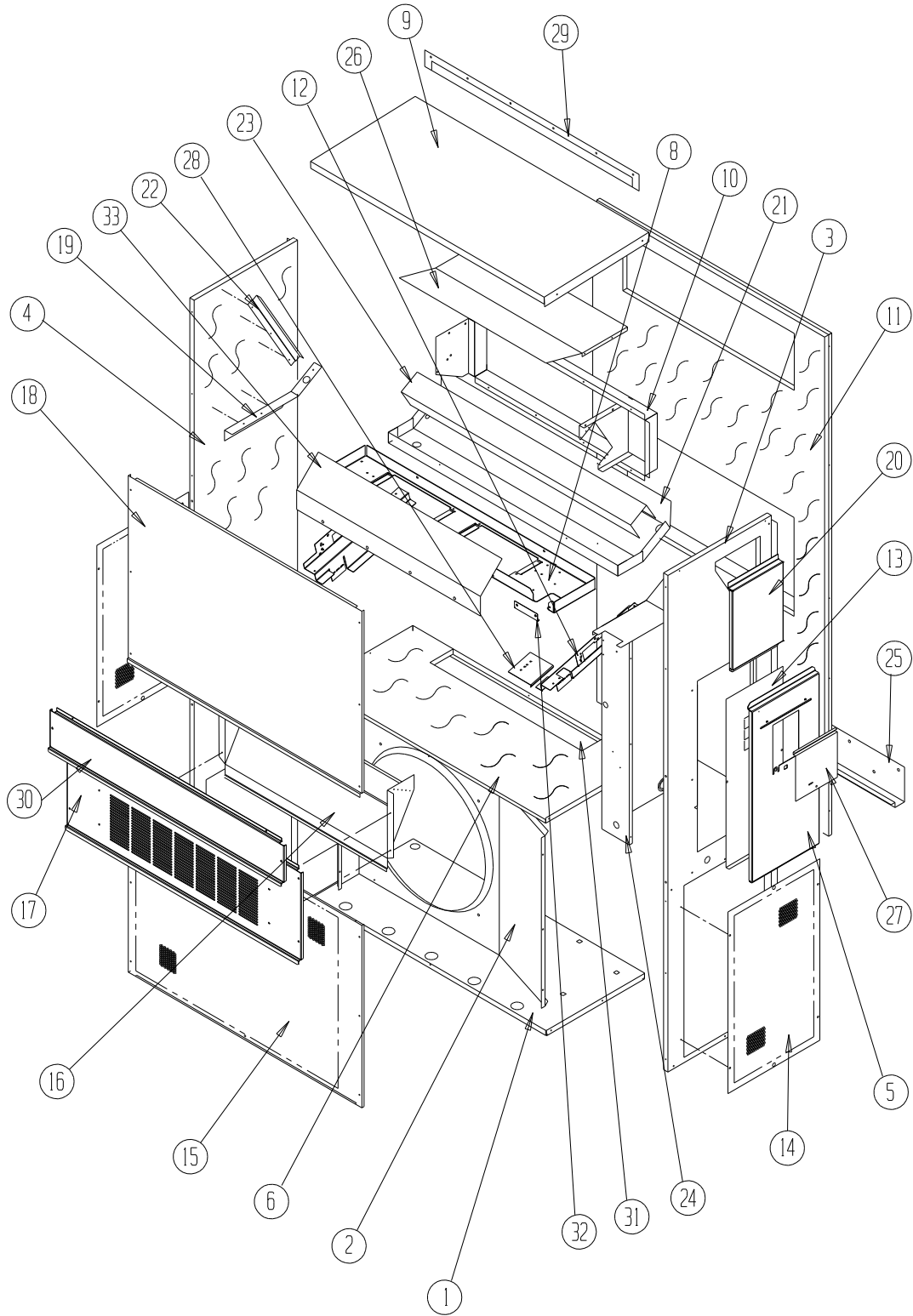
- Contact the installing and/or local Bard distributor for all parts requirements. Make sure to have the complete model and serial number available from the unit rating plates.



Bard Manufacturing Company, Inc.
Bryan, Ohio 43506
www.bardhvac.com

Manual: 2110-1409H
Supersedes: 2110-1409G
Date: 6-18-19

CABINET COMPONENTS



SEXP-688

CABINET COMPONENTS – STANDARD & DEHUMIDIFICATION

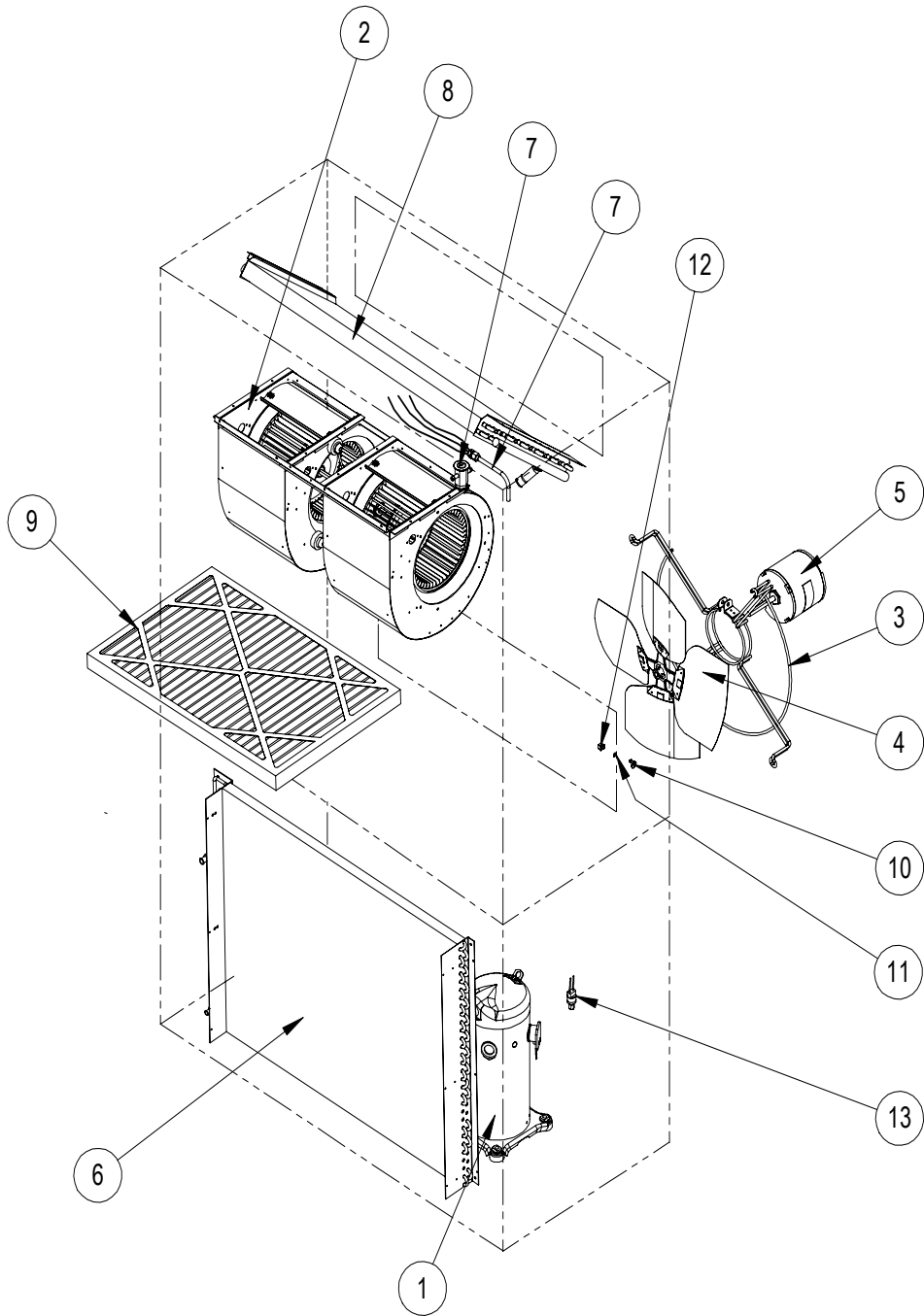
Dwg No.	Part Number	Description	W30A2-A, B, D	W30A2-C, F	W30A2DA, B	W30A2DC	W36A2-A, B, D, E	W36A2-C, F	W36A2DA, B	W36A2DC
1	127-471	Lower Base	X	X	X	X	X	X	X	X
1	127-473 ②	Lower Base	X	X	X	X	X	X	X	X
2	125-022	Fan Shroud	X	X	X	X	X	X	X	X
2	125-057 ②	Fan Shroud	X	X	X	X	X	X	X	X
3	S501-684-* ①	Right Side	X	X	X	X	X	X	X	X
3	S501-720 ②	Right Side	X	X	X	X	X	X	X	X
3	S501-722 ③	Right Side	X	X	X	X	X	X	X	X
4	S501-711-* ①	Left Side	X	X	X	X	X	X	X	X
4	S501-721 ②	Left Side	X	X	X	X	X	X	X	X
4	S501-723 ③	Left Side	X	X	X	X	X	X	X	X
5	S533-228 ①	Control Panel Cover (Outer)	X	X	X	X	X	X	X	X
5	S533-235 ②	Control Panel Cover (Outer)	X	X	X	X	X	X	X	X
5	S533-236 ③	Control Panel Cover (Outer)	X	X	X	X	X	X	X	X
6	S521X466	Condenser Partition	X	X	X	X	X	X	X	X
8	121X467	Blower Partition	X	X	X	X	X	X	X	X
9	S507-308-* ①	Top	X	X	X	X	X	X	X	X
9	S507-319 ②	Top	X	X	X	X	X	X	X	X
9	S507-320 ③	Top	X	X	X	X	X	X	X	X
10	S111X030	Outlet Air Frame Assembly	X	X	X	X	X	X	X	X
11	S508-088	Back	X	X	X	X	X	X	X	X
11	S508-222 ②	Back	X	X	X	X	X	X	X	X
11	S508-290 ③	Back	X	X	X	X	X	X	X	X
12	113X480	Filter Bracket	2	2	2	2	2	2	2	2
13	S132-104	Control Panel Cover (Inner)	X		X		X		X	
13	S132-172	Control Panel Cover (Inner)		X		X		X		X
14	118-056-* ①	Side Grille	2	2	2	2	2	2	2	2
14	118-067 ②	Side Grille	2	2	2	2	2	2	2	2
14	118-060 ③	Side Grille	2	2	2	2	2	2	2	2
15	118-059-* ①	Condenser Grille	X	X	X	X	X	X	X	X
15	118-066 ②	Condenser Grille	X	X	X	X	X	X	X	X
15	118-061 ③	Condenser Grille	X	X	X	X	X	X	X	X
16	BFAD-3	Fresh Air Damper Assembly	X	X	X	X	X	X	X	X
17	S553-523-* ①	Vent Option Door	X	X	X	X	X	X	X	X
17	S553-540 ①	Vent Option Door with ERV	X	X	X	X	X	X	X	X
17	S553-549 ②	Vent Option Door	X	X	X	X	X	X	X	X
17	S553-557 ②	Vent Option Door with ERV	X	X	X	X	X	X	X	X
17	S553-554 ③	Vent Option Door	X	X	X	X	X	X	X	X
17	S553-558 ③	Vent Option Door with ERV	X	X	X	X	X	X	X	X
18	S514-241-* ①	Upper Front	X	X	X	X	X	X	X	X
18	S514-238 ②	Upper Front	X	X	X	X	X	X	X	X
18	S514-239 ③	Upper Front	X	X	X	X	X	X	X	X
19	105X850	Side Support	X	X	X	X	X	X	X	X
20	S543-175-* ①	Right Side Cover Plate (Outer)	X	X	X	X	X	X	X	X
20	S543-185 ②	Right Side Cover Plate (Outer)	X	X	X	X	X	X	X	X
20	S543-184 ③	Right Side Cover Plate (Outer)	X	X	X	X	X	X	X	X
21	S123-127	Drain Pan	X	X	X	X	X	X	X	X
21	S123-141 ②	Drain Pan	X	X	X	X	X	X	X	X
22	147-044	Evaporator Support	X	X	X	X	X	X	X	X
23	137-685	Bottom Evaporator Fill	X	X			X	X		
23	137-722	Bottom Evaporator Fill			X	X			X	X
24	Control Panel Assembly	See Control Panel Assy. Drawing & Parts List Assy.	X	X	X	X	X	X	X	X
25	113-140	Bottom Mounting Bracket	X	X	X	X	X	X	X	X
26	135X123	Heat Shield	X	X	X	X	X	X	X	X
27	S153-218 ①	Disconnect Access Door	X	X	X	X	X	X	X	X
27	S153-405 ②	Disconnect Access Door	X	X	X	X	X	X	X	X
27	S153-387 ③	Disconnect Access Door	X	X	X	X	X	X	X	X
28	137-259	Fill Plate	X	X	X	X	X	X	X	X
29	113-149-* ①	Top Rain Flashing	X	X	X	X	X	X	X	X
29	113-360 ②	Top Rain Flashing	X	X	X	X	X	X	X	X
30	S553-524-* ①	Filter Door	X	X	X	X	X	X	X	X
30	S553-553 ②	Filter Door	X	X	X	X	X	X	X	X
30	S553-554 ③	Filter Door	X	X	X	X	X	X	X	X
31	S536-498	Cond. Partition Block Off Plate	X	X	X	X	X	X	X	X
32	105-1302	Grommet Retainer	X	X	X	X	X	X	X	X
33	135-329	Air Baffle	X	X	X	X	X	X	X	X

① Exterior cabinet parts are manufactured with various paint color options. To ensure the proper paint color is received, reference the following codes: Beige -X, White -1, Buckeye Gray -4, Desert Brown -5, Dark Bronze -8

② Exterior cabinet parts are manufactured from stainless steel Code "S"

③ Exterior cabinet parts are manufactured from aluminum Code "A"

FUNCTIONAL COMPONENTS



SEXP-177 A

FUNCTIONAL COMPONENTS – STANDARD UNITS

Dwg No.	Part Number	Description	W30A2-A	W30A2-B	W30A2-C	W30A2-D	W30A2-F	W36A2-A	W36A2-B	W36A2-C	W36A2-D	W36A2-E	W36A2-F
1	8000-298	Compressor	X										
1	8000-299	Compressor		X									
1	8000-300	Compressor			X		X						
1	8000-301	Compressor				X							
1	8000-309	Compressor					X						
1	8000-310	Compressor						X					
1	8000-311	Compressor							X			X	
1	8000-312	Compressor								X			X
2	S900-231	Blower Assembly	X	X		X	X	X	X		X	X	X
2	S900-232	Blower Assembly			X					X			
3	8200-001	Fan Motor Mount	X	X	X	X	X	X	X	X	X	X	X
4	5151-045	Fan Blade	X	X	X	X	X	X	X	X	X	X	X
5	8103-029	Condenser Motor	X	X		X	X	X			X	X	X
5	8103-030	Condenser Motor			X					X			
6	5051-181BX	Condenser Coil	X	X	X	X	X						
6	5051-182BX	Condenser Coil						X	X	X	X	X	X
7	800-0430	Distributor Assembly						X	X	X	X	X	X
7	800-0429	Distributor Assembly	X	X	X	X	X						
8	917-0224BX	Evaporator Coil w/Distributor Assy.	X	X	X	X	X						
8	917-0225BX	Evaporator Coil w/Distributor Assy.						X	X	X	X	X	X
9	7004-019	Air Filter 1" Throw-Away	X	X	X	X	X	X	X	X	X	X	X
9	7003-031	Air Filter 1" Washable ①	X	X	X	X	X	X	X	X	X	X	X
9	7004-026	Air Filter 2" Pleated ①	X	X	X	X	X	X	X	X	X	X	X
10	1171-022	1/4" Turn Fastener	X	X	X	X	X	X	X	X	X	X	X
11	1171-024	1/4" Turn Retainer	X	X	X	X	X	X	X	X	X	X	X
12	1171-023	1/4" Receptacle	X	X	X	X	X	X	X	X	X	X	X
13	1804-0462	High Pressure Switch (Flare)	X	X	X	X	X	X	X	X	X	X	X
NS	1804-0386	Low Pressure Switch (Flare)	X	X	X	X	X	X	X	X	X	X	X
NS	CMA-28	Low Ambient Control (Flare) ①	X	X	X	X	X	X	X	X	X	X	X
NS	5201-021	Filter Drier	X	X	X	X	X	X	X	X	X	X	X
NS	6031-009	Coremax Valve Core	X	X	X	X	X	X	X	X	X	X	X

NS – Not Shown

① – Optional on these models

FUNCTIONAL COMPONENTS – DEHUMIDIFICATION UNITS

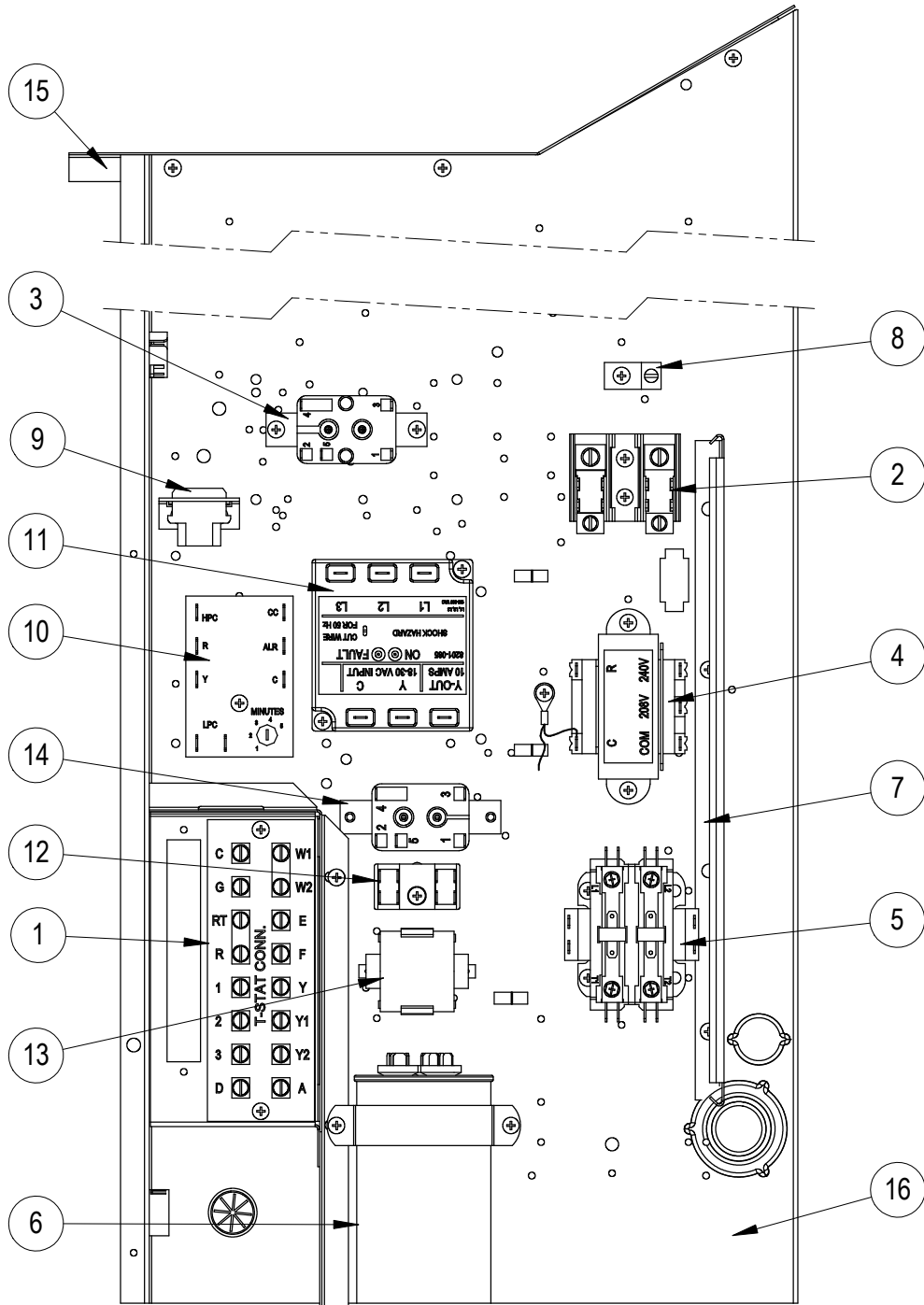
Dwg No.	Part Number	Description	W30A2DA	W30A2DB	W30A2DC	W36A2DA	W36A2DB	W36A2DC
1	8000-298	Compressor	X					
1	8000-299	Compressor		X				
1	8000-300	Compressor			X			
1	8000-309	Compressor				X		
1	8000-310	Compressor					X	
1	8000-311	Compressor						X
2	S900-231	Blower Assembly	X	X		X	X	
2	S900-232	Blower Assembly			X			X
3	8200-001	Fan Motor Mount	X	X	X	X	X	X
4	5151-045	Fan Blade	X	X	X	X	X	X
5	8103-029	Condenser Motor	X	X		X	X	
5	8103-030	Condenser Motor			X			X
6	5051-181BX	Condenser Coil	X	X	X			
6	5051-182BX	Condenser Coil				X	X	X
7	800-0421	Distributor Assembly				X	X	X
7	800-0426	Distributor Assembly	X	X	X			
7	5651-203	Expansion Valve	X	X	X	X	X	X
8	917-0247BX	Evaporator Coil w/Distributor Assy.	X	X	X			
8	917-0249BX	Evaporator Coil w/Distributor Assy.				X	X	X
9	7004-019	Air Filter 1" Throw-Away	X	X	X	X	X	X
9	7003-031	Air Filter 1" Washable ①	X	X	X	X	X	X
9	7004-026	Air Filter 2" Pleated ①	X	X	X	X	X	X
10	1171-022	1/4" Turn Fastener	X	X	X	X	X	X
11	1171-024	1/4" Turn Retainer	X	X	X	X	X	X
12	1171-023	1/4" Receptacle	X	X	X	X	X	X
13	1804-0462	High Pressure Switch (Flare)	X	X	X	X	X	X
NS	1804-0386	Low Pressure Switch (Flare)	X	X	X	X	X	X
NS	CMA-28	Low Ambient Control (Flare) ①	X	X	X			
NS	CMA-32	Modulating Low Ambient Control ①				X	X	
NS	CMA-34	460V Modulating Low Ambient Control ①						X
NS	5201-021	Filter Drier	X	X	X	X	X	X
NS	5650-051	Dehumidification Valve	X	X	X	X	X	X
NS	5651-219	Check Valve	X	X	X	X	X	X
NS	6031-009	Coremax Valve Core	X	X	X	X	X	X

NS – Not Shown

① – Optional on these models

This page intentionally left blank

CONTROL PANEL – STANDARD UNITS



SEXP-689 A

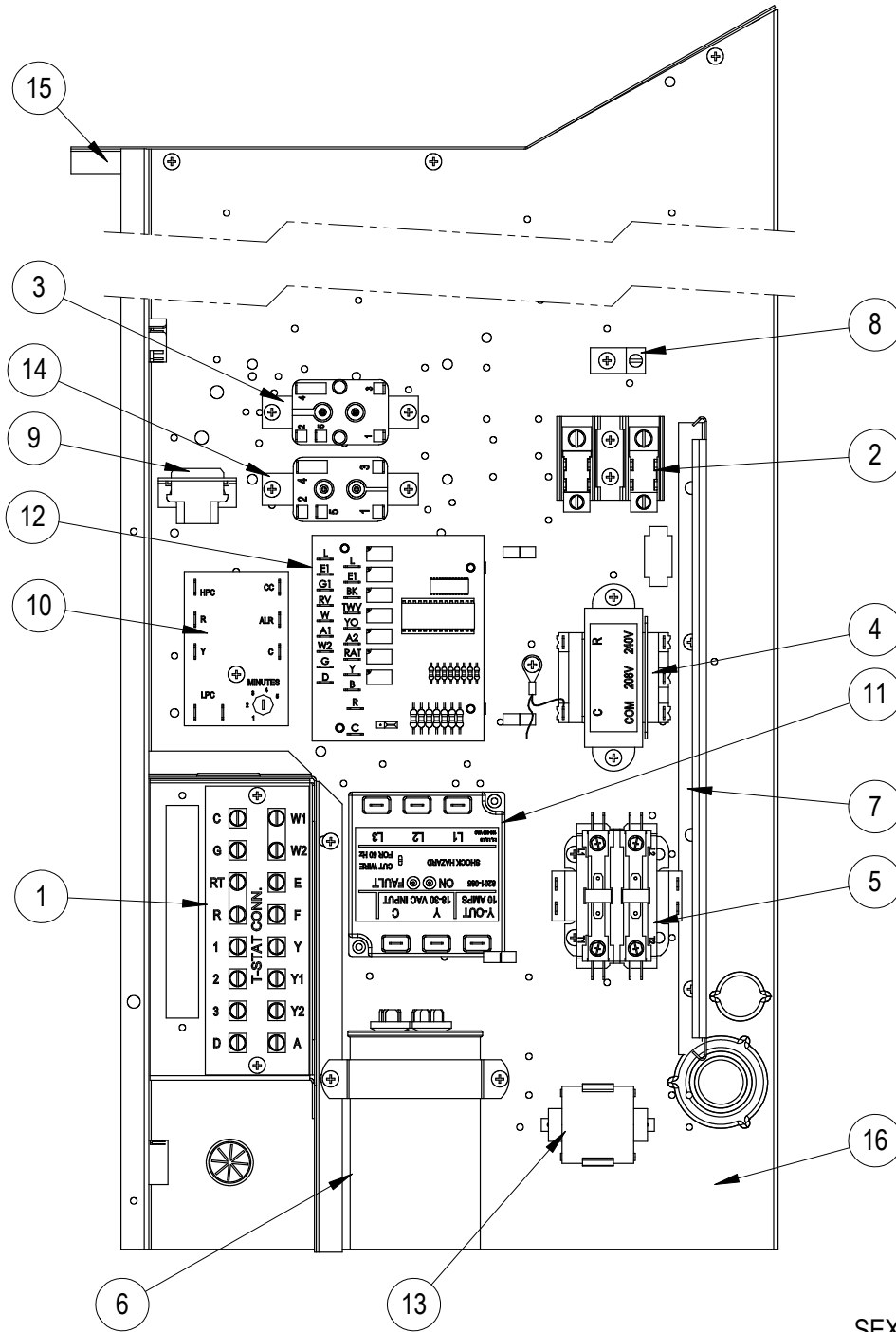
CONTROL PANEL - STANDARD UNITS

Dwg No.	Part Number	Description	W30A2-A	W30A2-B	W30A2-C	W30A2-D	W30A2-F	W36A2-A	W36A2-B	W36A2-C	W36A2-D	W36A2-E	W36A2-F
1	8607-034	Low Voltage Terminal Strip	X	X	X	X	X	X	X	X	X	X	X
2	8607-013	Terminal Block 2 Pole	X			X	2	X			X		2
2	8607-014	Terminal Block 3 Pole		X	X				X	X		X	
2	8607-015	Phenolic Insulator			X		2			X			2
2	134-051	Phenolic Insulator					2						2
3	8201-009	Blower Control Relay	X	X		X	X	X	X		X	X	X
3	8201-032	Blower Control Relay			X					X			
4	8407-068	Transformer	X	X		X	X	X	X		X	X	X
4	8407-069	Transformer			X					X			
5	8401-006	Compressor Contactor	X			X		X			X		
5	8401-002	Compressor Contactor		X	X		X		X	X		X	X
6	8552-052	Compressor Capacitor	X					X					
6	8552-002	Outdoor Motor Capacitor		X	X		X		X	X		X	X
6	8552-062	Compressor Capacitor				X					X		
7	135-122	Wire Shield	X	X	X	X	X	X	X	X	X	X	X
8	8611-006	Ground Terminal	X	X	X	X	X	X	X	X	X	X	X
9	3000-968	6 Pin Connector	X	X	X	X	X	X	X	X	X	X	X
10	8201-164	Compressor Control Module (Opt.)	X	X	X	X	X	X	X	X	X	X	X
11	8201-126	Phase Monitor		X	X		X		X	X		X	X
12	8607-017	Terminal Block (Optional)	X	X	X	X	X	X	X	X	X	X	X
13	8551-004	Start Device (PTCR) (Optional)	X			X		X			X		
14	8201-062	Alarm Relay (Optional)	X	X	X	X	X	X	X	X	X	X	X
15	117X137	Control Panel Top	X	X	X	X	X	X	X	X	X	X	X
16	117X123	Control Panel	X	X	X	X	X	X	X	X	X	X	X
NS	8615-038	Circuit Breaker 35A 2 Pole (Opt.) ①	X			X		X			X		
NS	8615-054	Circuit Breaker 20A 3 Pole (Opt.) ①		X									
NS	8615-052	Circuit Breaker 30A 3 Pole (Opt.) ①							X			X	
NS	8615-067	Toggle Disconnect (Optional) ①			X		X			X			X
NS	4095-169	Wiring Diagram	X			X		X			X		
NS	4095-260	Wiring Diagram		X					X			X	
NS	4095-360	Wiring Diagram			X					X			
NS	4095-636	Wiring Diagram					X						X

NS = Not Shown

- ① Circuit breakers listed are for units without electric heat, "OZ" models. Hot gas bypass models not available without electric heat. See Heater Replacement Parts Manual for units with electric heat.

CONTROL PANEL - DEHUMIDIFICATION UNITS



SEXP-702 A

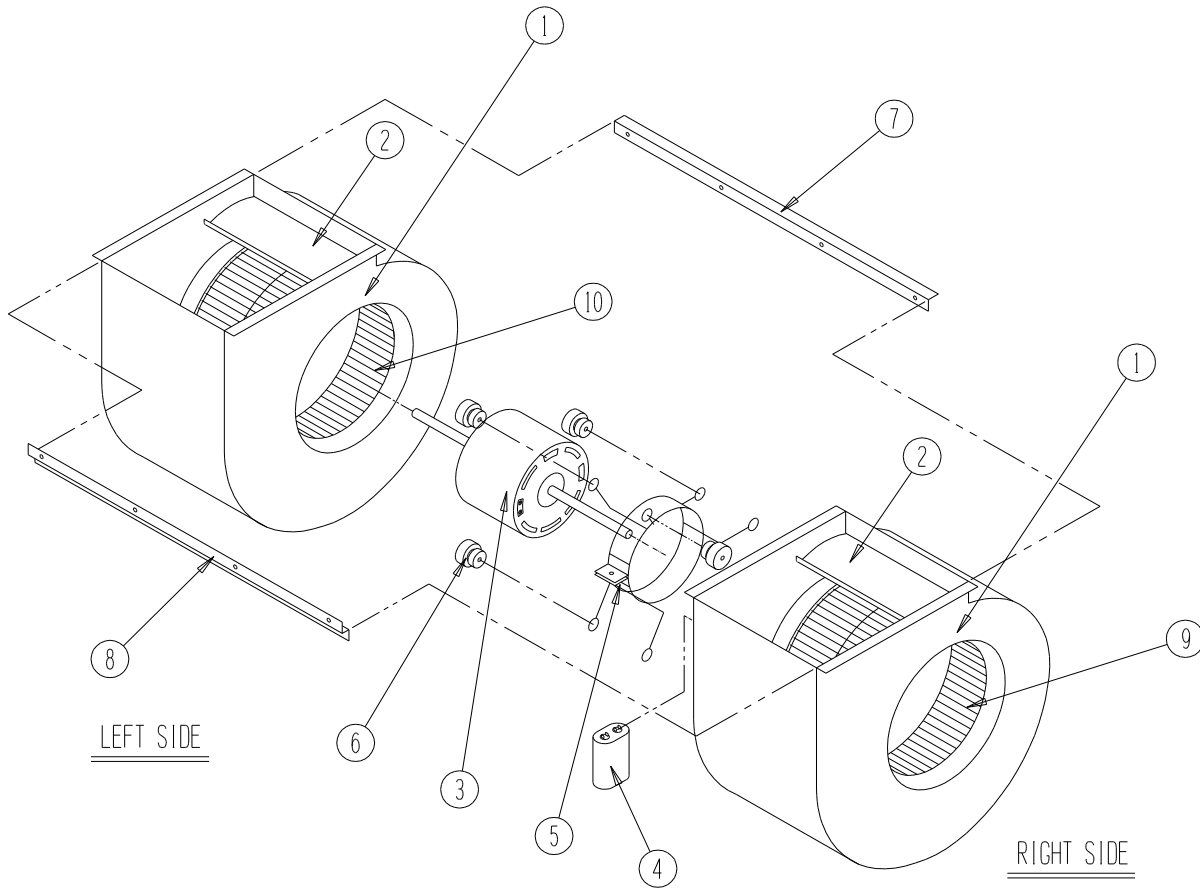
CONTROL PANEL – DEHUMIDIFICATION UNITS

Dwg No.	Part Number	Description	W30A2DA	W30A2DB	W30A2DC	W36A2DA	W36A2DB	W36A2DC
1	8607-034	Low Voltage Terminal Strip	X	X	X	X	X	X
2	8607-013	Terminal Block 2 Pole	X			X		
2	8607-014	Terminal Block 3 Pole		X	X		X	X
2	8607-015	Phenolic Insulator			X			X
3	8201-009	Blower Control Relay	X	X		X	X	
3	8201-032	Blower Control Relay			X			X
4	8407-068	Transformer	X	X		X	X	
4	8407-069	Transformer			X			X
5	8401-006	Compressor Contactor	X			X		
5	8401-002	Compressor Contactor		X	X		X	X
6	8552-052	Compressor Capacitor	X			X		
6	8552-002	Outdoor Motor Capacitor		X	X		X	X
7	135-122	Wire Shield	X	X	X	X	X	X
8	8611-006	Ground Terminal	X	X	X	X	X	X
9	3000-968	6 Pin Connector	X	X	X	X	X	X
10	8201-164	Compressor Control Module (Opt.)	X	X	X	X	X	X
11	8201-126	Phase Monitor		X	X		X	X
12	8201-113	Logic Control	X	X	X	X	X	X
13	8551-004	Start Device (PTCR) (Optional)	X			X		
14	8201-062	Dehumidification Control Relay	X	X	X	X	X	X
15	117X137	Control Panel Top	X	X	X	X	X	X
16	117X123	Control Panel	X	X	X	X	X	X
NS	8615-038	Circuit Breaker 35A 2 Pole (Opt.) ①	X			X		
NS	8615-054	Circuit Breaker 20A 3 Pole (Opt.) ①		X				
NS	8615-052	Circuit Breaker 30A 3 Pole (Opt.) ①					X	
NS	8615-067	Toggle Disconnect (Optional) ①			X			X
NS	4095-174	Wiring Diagram	X			X		
NS	4095-261	Wiring Diagram		X			X	
NS	4095-361	Wiring Diagram			X			X

NS = Not Shown

- ① Circuit breakers listed are for units without electric heat, “OZ” models. Hot gas bypass models not available without electric heat. See Heater Replacement Parts Manual for units with electric heat.

BLOWER ASSEMBLY



SEXP-346

Dwg No.	Part Number	Description	S900-231	S900-232
1	151-111	Housing	2	2
2	144-174	Diffuser	2	2
3	8105-029	Blower Motor (230/208)	X	
3	8105-033	Blower Motor (460)		X
4	8552-002	Capacitor	X	X
5	8200-031	Motor Mount	X	X
6	5451-011	Grommets	6	6
7	105-870	Back Brace	X	X
8	103-401	Front Brace	X	X
9	5152-090	Wheel CW	X	X
10	5152-091	Wheel CCW	X	X