
REPLACEMENT PARTS MANUAL

Commercial Room Ventilator

Models:

QWSCRV QCRV-4

General Notes

- Revised and/or additional pages may be issued from time to time.
- A complete and current manual consists of pages shown in the following contents section.

Contents

<u>Description</u>	<u>Page</u>
Functional and Cabinet Components	
♦ Exploded View	2
♦ Usage List	3

Important

- Contact the installing and/or local Bard distributor for all parts requirements. Be sure to have the complete model and serial number available from the unit rating plates.

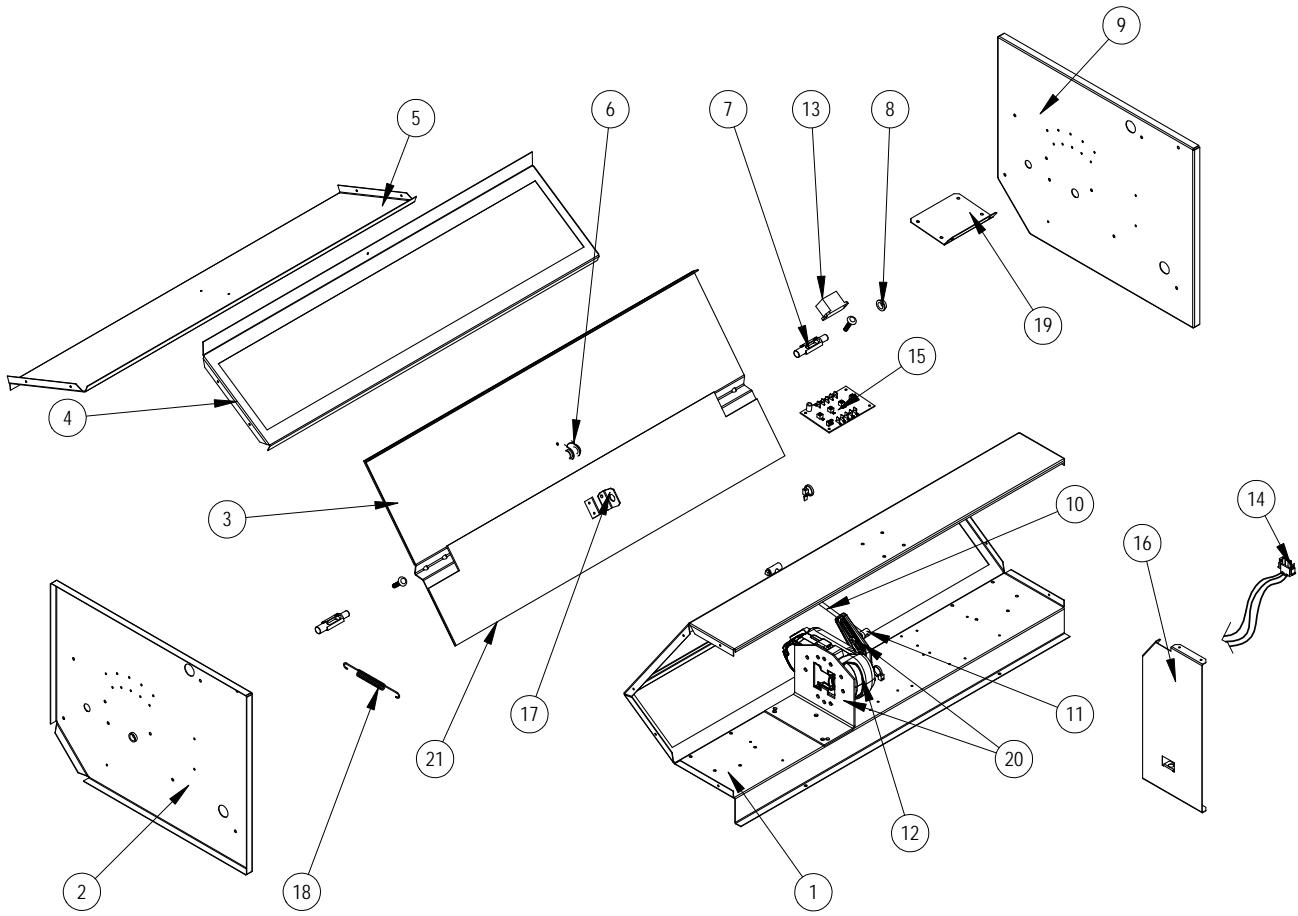


Bard Manufacturing Company, Inc.
Bryan, Ohio 43506
www.bardhvac.com

Manual: 2110-1145
Supersedes: **NEW**
Date: 1-19-22

Climate Control Solutions

FUNCTIONAL and CABINET COMPONENTS



SEXP-1065 A

FUNCTIONAL and CABINET COMPONENTS

Drawing No.	Part No.	Description	QWSCRV	QCRV-4
1	137-1010	Front Fill	X	X
2	101Y1138	Left End	X	X
3	139-454	Blade	X	X
4	137-369	Rear Fill	X	X
5	127-279	Base	X	X
6	8602-040	Bracket	X	X
7	8602-038	Damper Blade Pin	2	2
8	8602-039	Bushing	2	2
9	101X1138	Right End	X	X
10	8602-044	Rod	X	X
11	8602-008	Ball Joint	X	X
12	8602-114	Actuator	X	X
13	8201-130	Relay	X	X
14	3000-1711	Wire Assembly	X	
14	3000-1721	Wire Assembly		X
15	8201-167	CRV Control Board	X	X
16	113-941	Fill Support	X	X
17	113-942	Blade Spring Bracket	X	X
18	5401-004	Stainless Steel Spring	X	X
19	113-940	CRV Board Bracket	X	X
20	8602-115	Actuator Crank Arm Kit (includes sheet metal actuator mounting plate, plastic actuator mounting clip, crank arm, crank arm clip and mounting hardware)	X	X
21	1913-145	Insulation	X	X
NS	4114A107	Wiring Diagram	X	
NS	4056A265	Wiring Diagram		X

NS = Not Shown