
REPLACEMENT PARTS MANUAL

Commercial Room Ventilator

Models:

QWSCRV QCRV-4

General Notes

- Revised and/or additional pages may be issued from time to time.
- A complete and current manual consists of pages shown in the following contents section.

Important

- Contact the installing and/or local Bard distributor for all parts requirements. Be sure to have the complete model and serial number available from the unit rating plates.

Contents

<u>Description</u>	<u>Page</u>
Functional and Cabinet Components	
♦ Exploded View	2
♦ Usage List	3
Actuator Replacement Parts Reference Guide.....	4

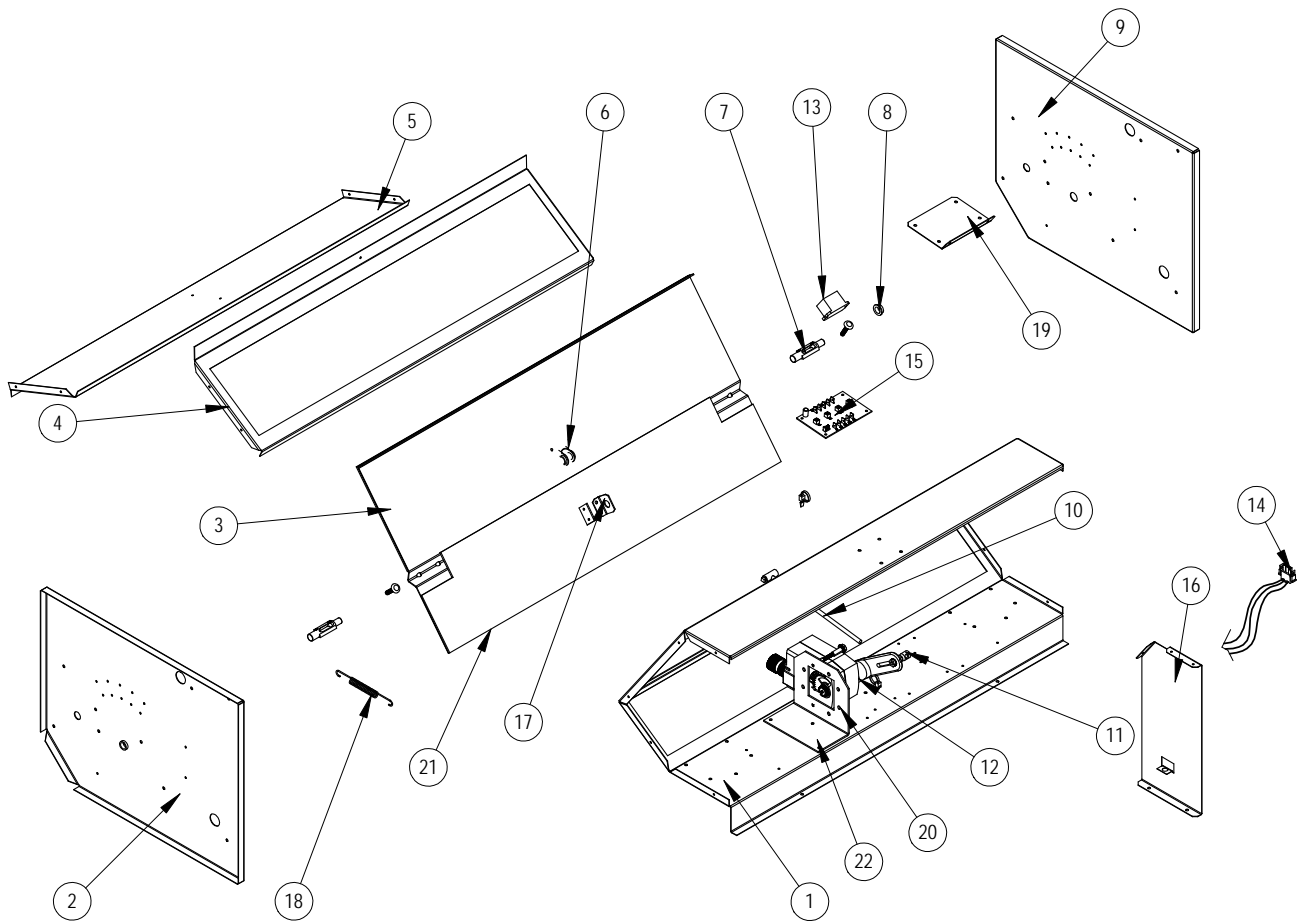


Bard Manufacturing Company, Inc.
Bryan, Ohio 43506
www.bardhvac.com

Manual: 2110-1145C
Supersedes: 2110-1145B
Date: 10-31-22

Climate Control Solutions

FUNCTIONAL and CABINET COMPONENTS



SEXP-1065 C

FUNCTIONAL and CABINET COMPONENTS

Drawing No.	Part No.	Description	QWSCRV	QCRV-4
1	137-1010	Front Fill	X	X
2	101Y1138	Left End	X	X
3	139-454	Blade	X	X
4	137-369	Rear Fill	X	X
5	127-279	Base	X	X
6	8602-040	Bracket	X	X
7	8602-038	Damper Blade Pin	2	2
8	8602-039	Bushing	2	2
9	101X1138	Right End	X	X
10	8602-044	Rod	X	X
11	8602-008	Ball Joint	X	X
12	<i>See page 4</i>	Damper Motor	X	X
13	8201-130	Relay	X	X
14	3000-1711	Wire Assembly	X	
14	3000-1721	Wire Assembly		X
15	8201-167	CRV Control Board	X	X
16	113-941	Fill Support	X	X
17	113-942	Blade Spring Bracket	X	X
18	5401-004	Stainless Steel Spring	X	X
19	113-940	CRV Board Bracket	X	X
20	<i>See page 4</i>	Actuator Bracket	X	X
21	1913-145	Insulation	X	X
22	113-946	Multiple-Position Diamond Actuator Mounting Plate	X	X
NS	4114A107	Wiring Diagram	X	
NS	4056A265	Wiring Diagram		X

NS = Not Shown

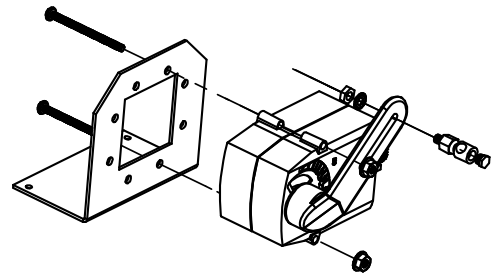
ACTUATOR REPLACEMENT PARTS REFERENCE GUIDE

Belimo Actuator

If the V option CRV was produced after 8/10/22, it will most likely have a Belimo actuator assembly (see picture). These include the vent models and assembly numbers listed in the table. Use replacement part numbers listed in table.

Original Assemblies		Available Service Parts		
Vent Model	Vent Assembly	Actuator Bracket	Actuator Motor & Hardware	Entire Actuator Assembly
QWSCRV	920-0571	113-962	8602-117	910-2233
QCRV-4	920-0572	113-962	8602-117	910-2233

Belimo Actuator Assembly

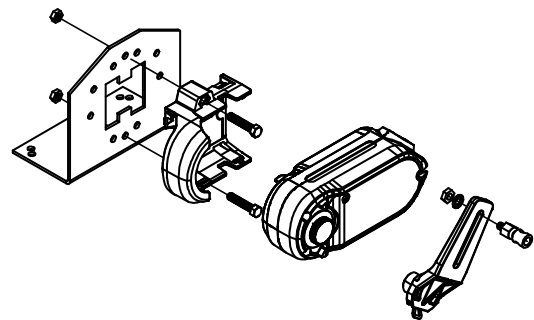


Honeywell Diamond Actuator

If the V option CRV was produced between 4/11/22 and 8/10/22, it will most likely have a Honeywell Diamond actuator assembly (see picture). These include the vent models and assembly numbers listed in the table. Please use the new Belimo 910-assemblies listed as drop-in replacement for the Diamond actuator or any associated parts.

Original Assemblies		Available Service Parts
Vent Model	Vent Assembly	Entire Actuator Assembly (Use to replace 910-2201, 8602-114 or 8602-115)
QWSCRV	920-0538	910-2233
QCRV-4	920-0540	910-2233

Honeywell Diamond Actuator Assembly (Obsolete)

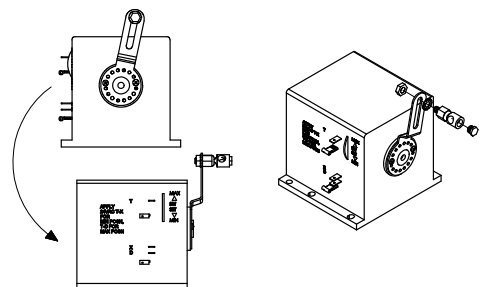


Honeywell Black Box Actuator

If the V option vent was produced before 4/11/22, it will most likely have one of the Honeywell Black Box actuator models listed in the table. Use replacement motors from service stock until depleted. If stock is depleted, use the associated replacement kit number in table.

Original Assemblies & Part Numbers				Available Service Parts
Vent Model	Vent Assembly	Bard Part #	Honeywell Black Box Part #	Actuator Replacement Kit
QWSCRV	920-0063	8602-017	M7415B1004	8620-354
QCRV-4	962138	8602-020	M8405A1006	8620-353

Honeywell Black Box Actuator Assembly (Obsolete)



MIS-4391