
REPLACEMENT PARTS MANUAL

Wall-Mounted Gas/Electric Commercial Room Ventilator

Model:
WGSCRVMP-5A

General Notes

- Revised and/or additional pages may be issued from time to time.
- A complete and current manual consists of pages shown in the following contents section.

Important

- Contact the installing and/or local Bard distributor for all parts requirements. Be sure to have the complete model and serial number available from the unit rating plates.

Contents

<u>Description</u>	<u>Page</u>
Functional and Cabinet Components	
♦ Exploded View	2
♦ Usage List	3
Actuator Replacement Parts Reference Guide.....	4
Control Board Assembly Components	
♦ Layout View	5
♦ Usage List	5

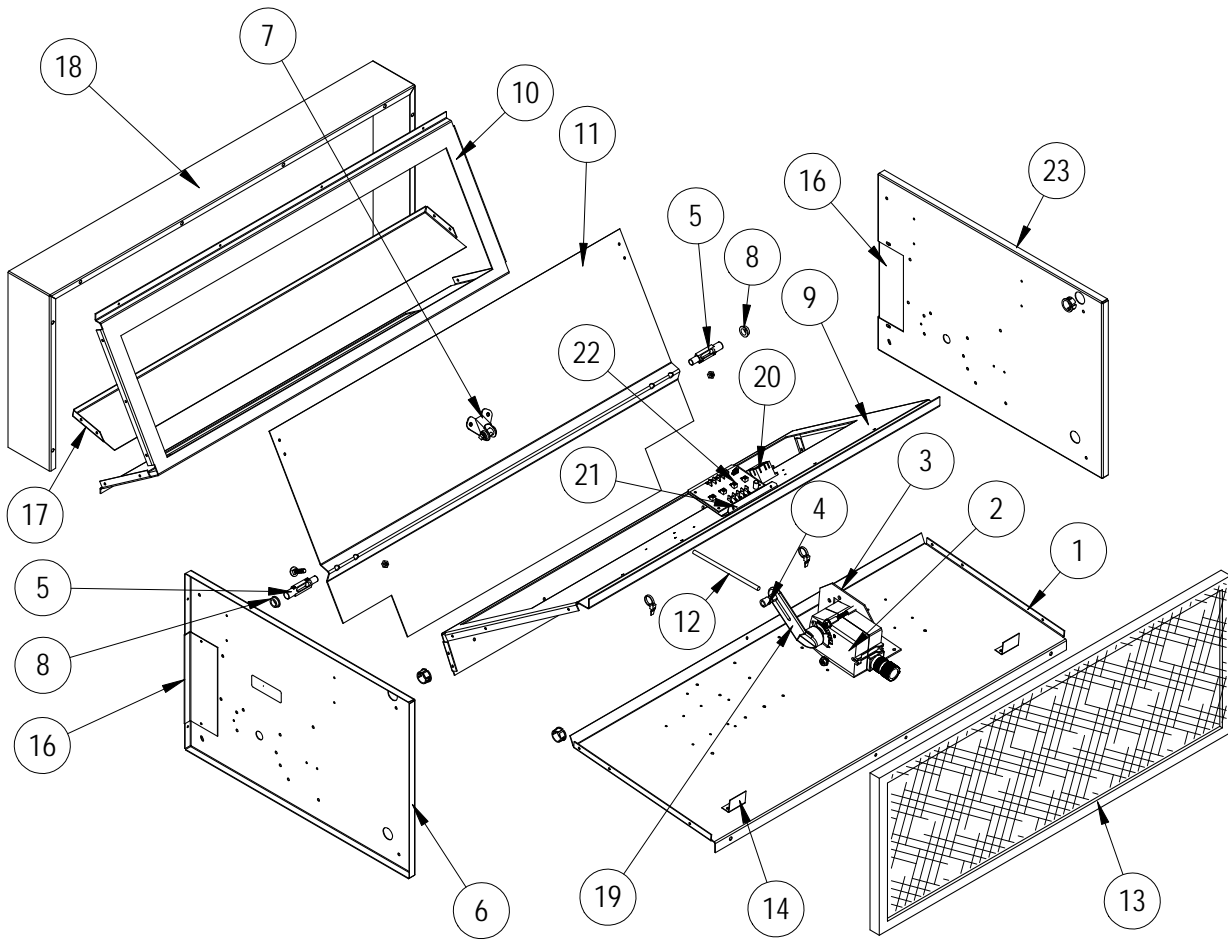


Climate Control Solutions

Bard Manufacturing Company, Inc.
Bryan, Ohio 43506
www.bardhvac.com

Manual: 2110-1142A
Supersedes: 2110-1142
Date: 8-10-22

FUNCTIONAL AND CABINET COMPONENTS



SEXP-439 D

FUNCTIONAL AND CABINET COMPONENTS

Drawing No.	Part No.	Description	WGSCRVMP-5A
1	127-215	Base	X
2	<i>See page 4</i>	Damper Motor Assembly	X
3	<i>See page 4</i>	Actuator Bracket	X
4	8602-008	Ball Joint	X
5	8602-038	Damper Blade Pin	2
6	100Y440	Left End	X
7	8602-040	Bracket	X
8	8602-039	Bronze Bushing	2
9	137-218	Front Fill	X
10	137-481	Return Fill	X
11	139-180	Damper Blade	X
12	8602-042	Rod	X
13	7003-035	Mist Eliminator	X
14	131-095	Filter Stop	2
16	136-486	Side Fill	2
17	136-483	Exhaust Partition	X
18	566-025	Sleeve	X
19	<i>See page 4</i>	Damper Motor Assembly	X
20	Control Board Assembly	See Control Board Assembly Components on page 5	X
21			X
22			X
23	100X440	Right End	X
NS	542-110	Fill Plate with Screen	X
NS	4056-264	Wiring Diagram	X

NS = Not Shown

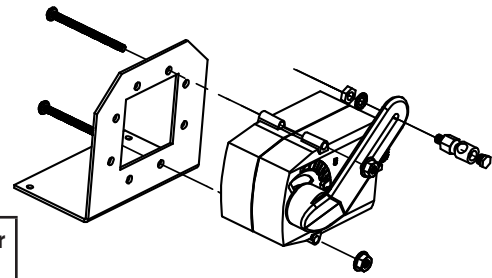
ACTUATOR REPLACEMENT PARTS REFERENCE GUIDE

Belimo Actuator

If the V option CRV was produced after 8/10/22, it will most likely have a Belimo actuator assembly (see image). These include the vent models and assembly numbers listed in the table. Use replacement part numbers listed in table.

Vent Model	Assembly	Actuator Bracket	Actuator Motor & Hardware	Entire Actuator Assembly
WGCRVS-3C	920-0565	113-962	8602-117	910-2230
WGCRVS-5C	920-0566	113-962	8602-117	910-2230
WGSCRVMP-5A	920-0570	113-962	8602-117	910-2230

Belimo Actuator Assembly

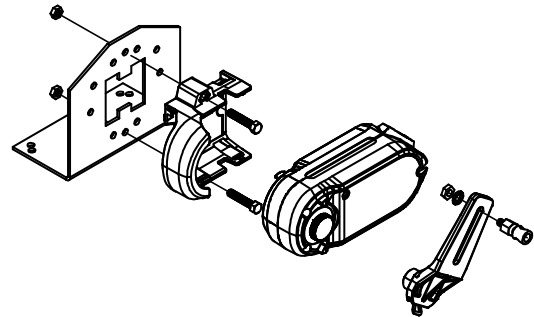


Honeywell Diamond Actuator

If the V option CRV was produced between 12/31/21 and 8/10/22, it will most likely have a Honeywell Diamond actuator assembly (see image). These include the vent models and assembly numbers listed in the table. Please use the new Belimo 910- assemblies listed as drop-in replacement for the Diamond actuator or any associated parts.

Vent Model	Assembly	Entire Actuator Assembly (Use to replace 910-2187, 8602-114 or 8602-115)
WGCRVS-3C	920-0533	910-2230
WGCRVS-5C	920-0532	910-2230
WGSCRVMP-5A	920-0537	910-2230

Honeywell Diamond Actuator Assembly
(Obsolete)

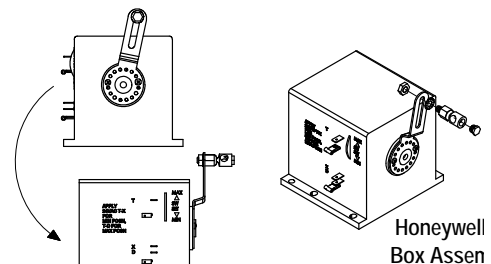


Honeywell Black Box Actuator

If the V option vent was produced before 12/31/21, it will most likely have one of the Honeywell Black Box actuator models listed in the table. Use replacement motors from service stock until depleted. If stock is depleted, use the associated replacement kit number in table.

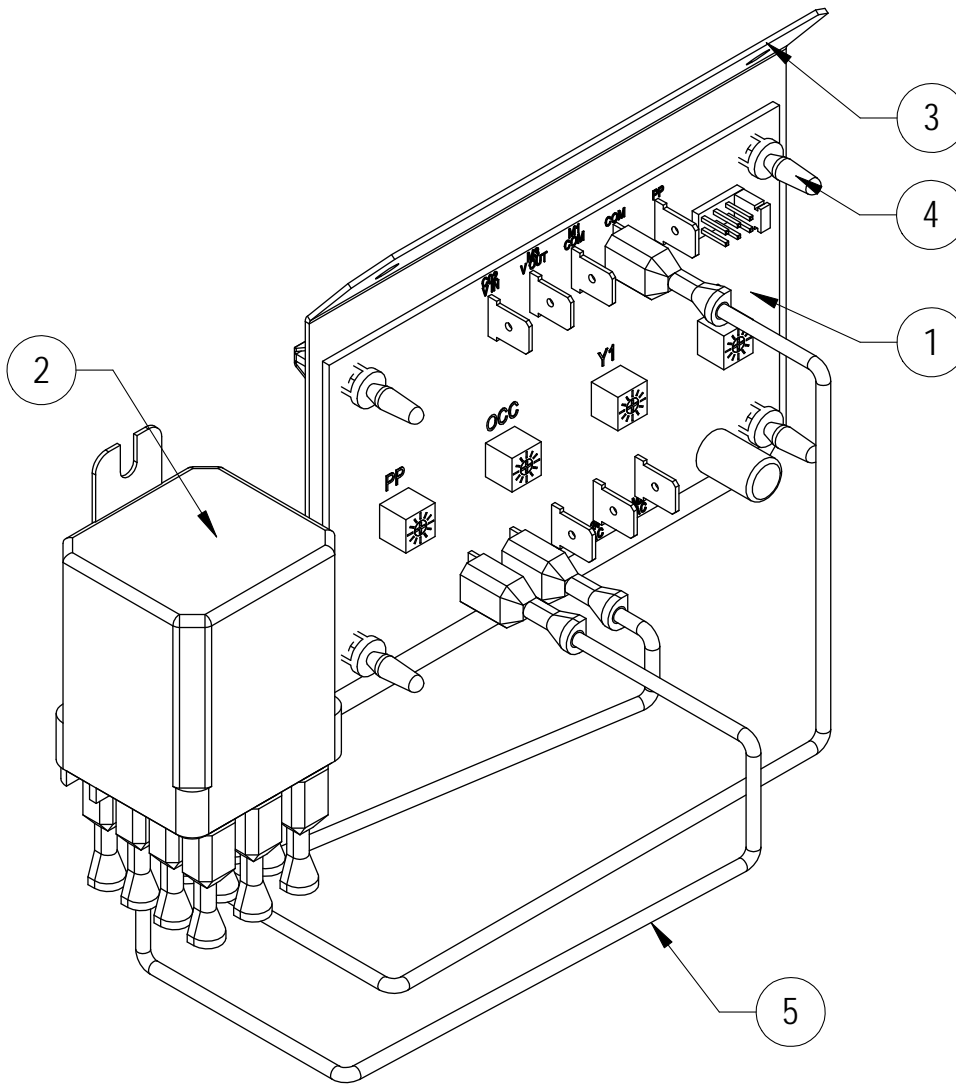
Vent Model	Assembly	Bard Part #	Honeywell Black Box Part #	Actuator Replacement Kit
WGCRVS-3B	920-0060	8602-020	M8405A1006	8620-353
WGCRVS-5B	920-0058	8602-020	M8405A1006	8620-353
WGSCRVMP-5	920-0042	8602-037	M7415A1004	8620-354

Honeywell Black Box Actuator Assembly
(Obsolete)



MIS-4389

CONTROL BOARD ASSEMBLY COMPONENTS



SEXP-1061

WGSCRMP-5A

Drawing No.	Part No.	Description	
1	8201-167	3-Position CRV Control Board	X
2	8201-048	Relay, DPDT, 5A @ 277V	X
3	112-907	CRV Board Bracket	X
4	8611-080	Mounting Support, 3/8" Locking	4
5	3000-1716	Wire Assembly	X
NS	3000-1714	Wire Assembly - Damper to Unit	X

NS = Not Shown