
REPLACEMENT PARTS MANUAL

WALL MOUNTED GAS/ELECTRIC ECONOMIZER

Model: **WGEIFM-5B**

General Notes

- Revised and/or additional pages may be issued from time to time.
- A complete and current manual consists of pages shown in the following contents section.

Important

- Contact the installing and/or local Bard distributor for all parts requirements. Make sure you have the complete model and serial number available from the unit rating plates.

Contents

Description	Page
Cabinet Components	
♦ Exploded View	1
♦ Usage List	1
Functional Components	
WGEIFM-5	
♦ Exploded View	2
♦ Usage List	2



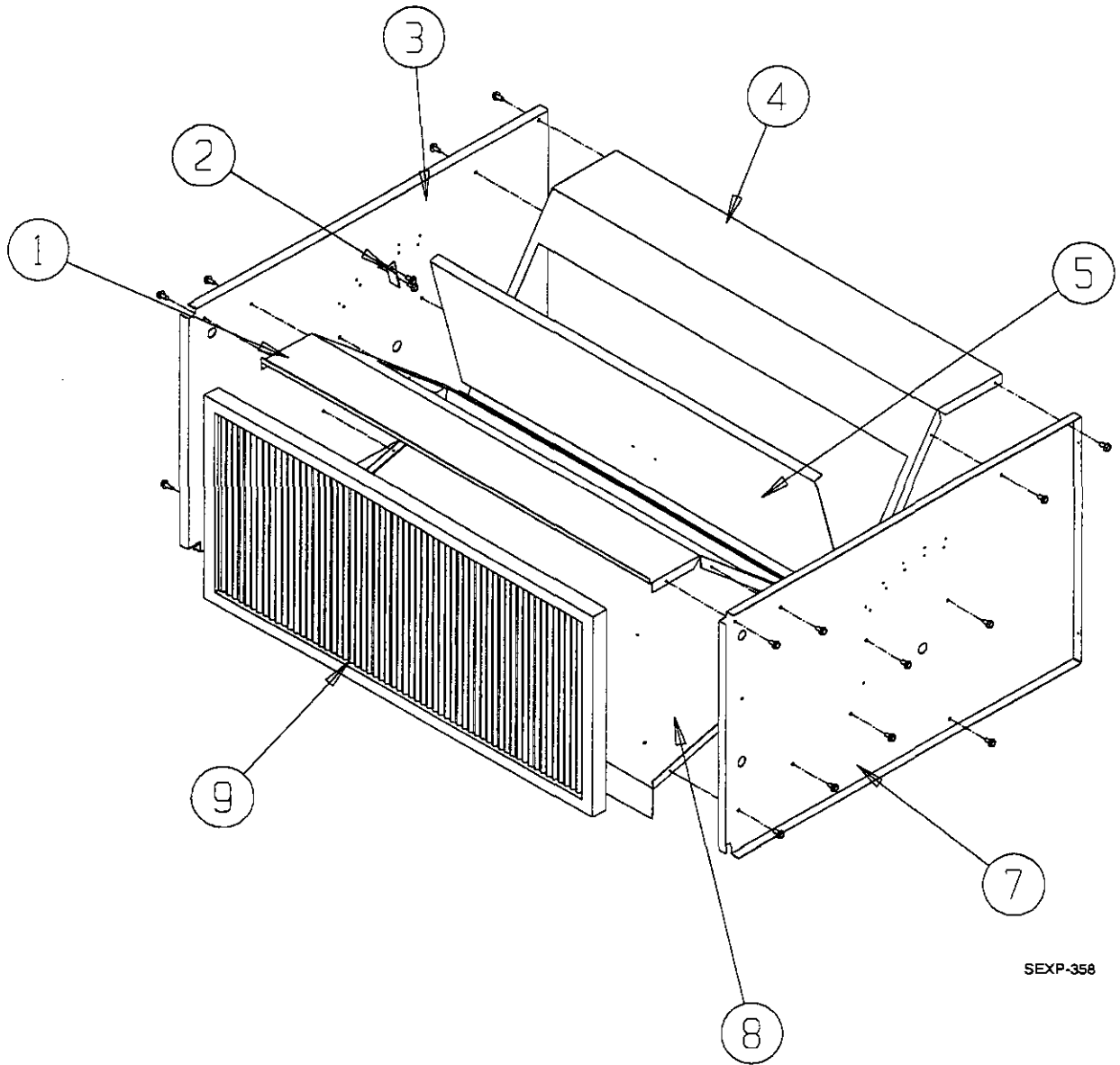
CLIMATE CONTROL SOLUTIONS

BARD MANUFACTURING COMPANY
Bryan, Ohio 43506

Since 1914...Moving ahead, just as planned.

Manual: 2110-1103A
Supersedes: 2110-1103
File: Tab 19
Date: 04-01-01

CABINET COMPONENTS

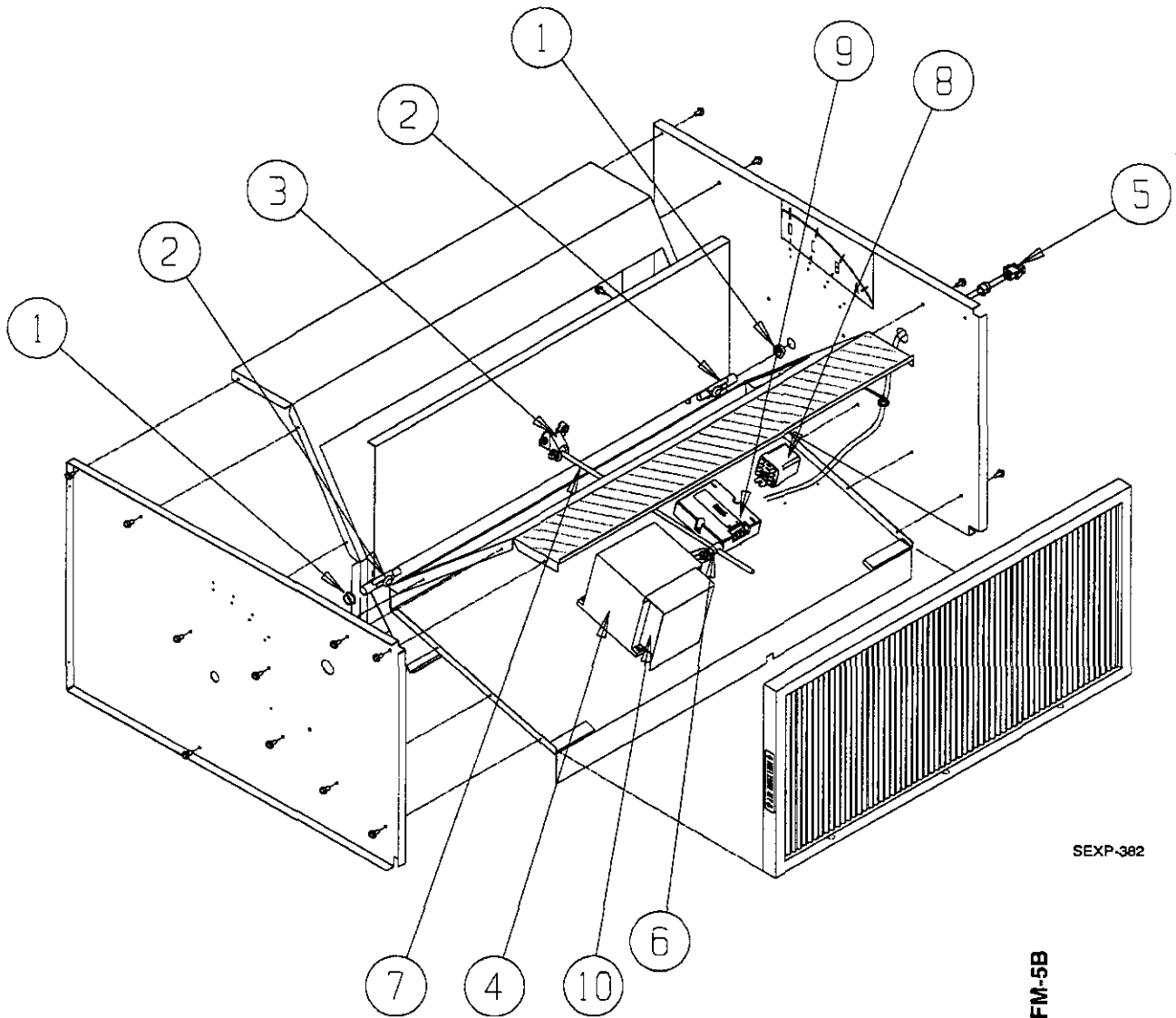


SEXP-358

WGEIFM-5B

Drawing No.	Part No.	Description	
1	S137-442	Front Fill	X
3	S101Y378	Left Side	X
4	137-441	Rear Fill	X
5	139-139	Damper Blade	X
7	X101X378	Right Side	X
8	127-303	Base	X
9	7003-054	Mist Eliminator	X

FUNCTIONAL COMPONENTS



SEXP-382

WGEIFM-5B

Drawing

No.	Part No.	Description	
1	8602-052	Bushing	2
2	8602-038	Damper Blade Pin	2
3	8602-040	Bracket	X
4	8602-037	Damper Motor	X
5	3000-1136	Wire Assembly	X
6	8602-008	Ball Joint	X
7	8602-047	Rod	X
8	8201-048	Relay	X
9	8602-046	Enthalpy Sensor	X
10	8602-053	Logic Module	X
NS	8602-018	Thermistor	X
NS	113-288	Thermistor Bracket	X

NS = Not Shown

