
REPLACEMENT PARTS MANUAL

WALL MOUNTED GAS/ELECTRIC COMMERCIAL VENTILATOR

Model: **WGCRVS-5**
WGCRVP-5

General Notes

- Revised and/or additional pages may be issued from time to time.
- A complete and current manual consists of pages shown in the following contents section.

Important

- Contact the installing and/or local Bard distributor for all parts requirements. Make sure you have the complete model and serial number available from the unit rating plates.

Contents

Description	Page
Cabinet Components	
• Exploded View	1
• Usage List	1
Functional Components WGCRVP-5	
• Exploded View	2
• Usage List	2
Functional Components WGCRVS-5	
• Exploded View	3
• Usage List	3

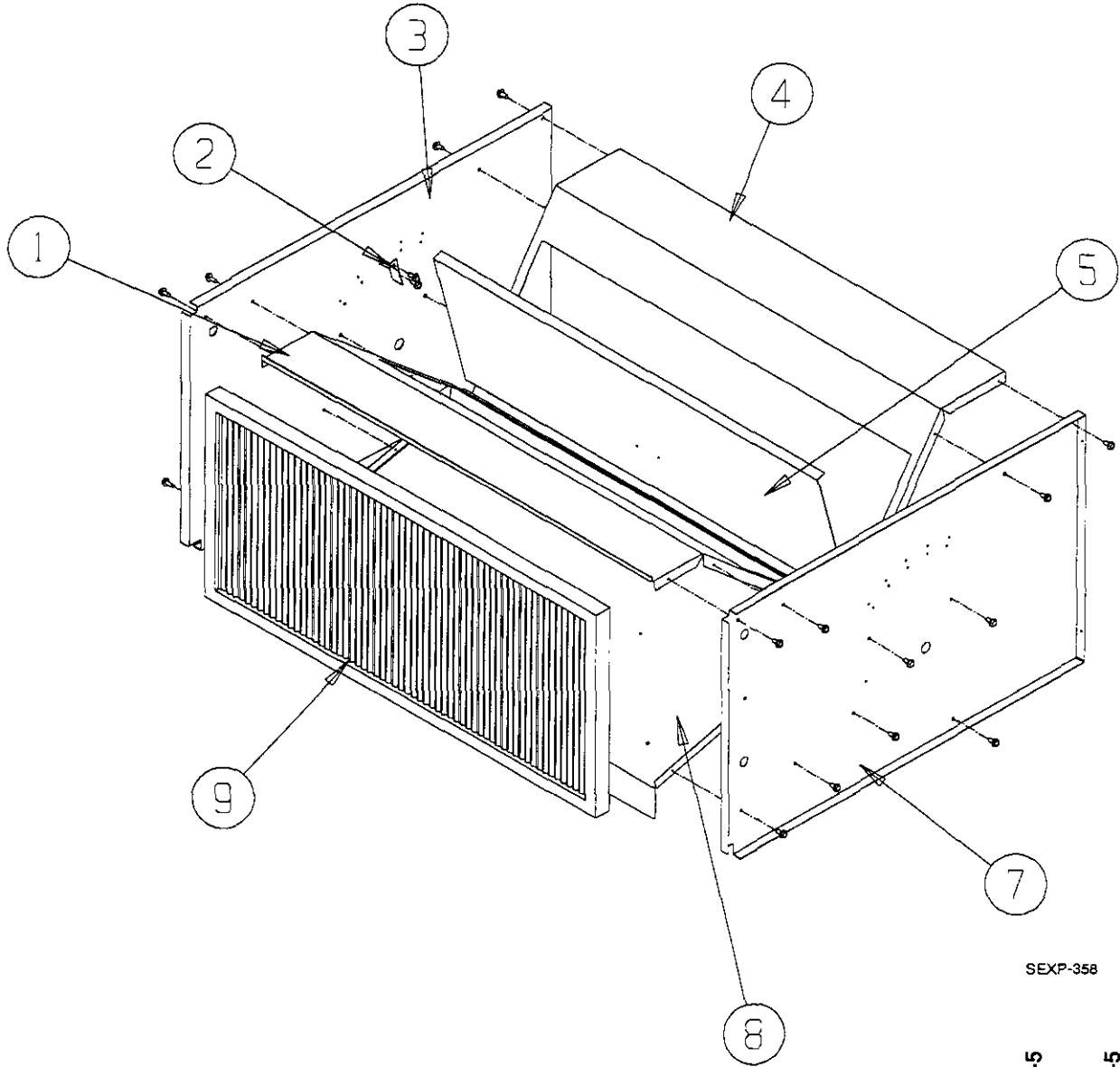


BARD MANUFACTURING COMPANY
Bryan, Ohio 43506

Since 1914...Moving ahead, just as planned.

Manual: 2110-1101A
Supersedes: 2110-1101
File:
Date: 09-01-2000

CABINET COMPONENTS

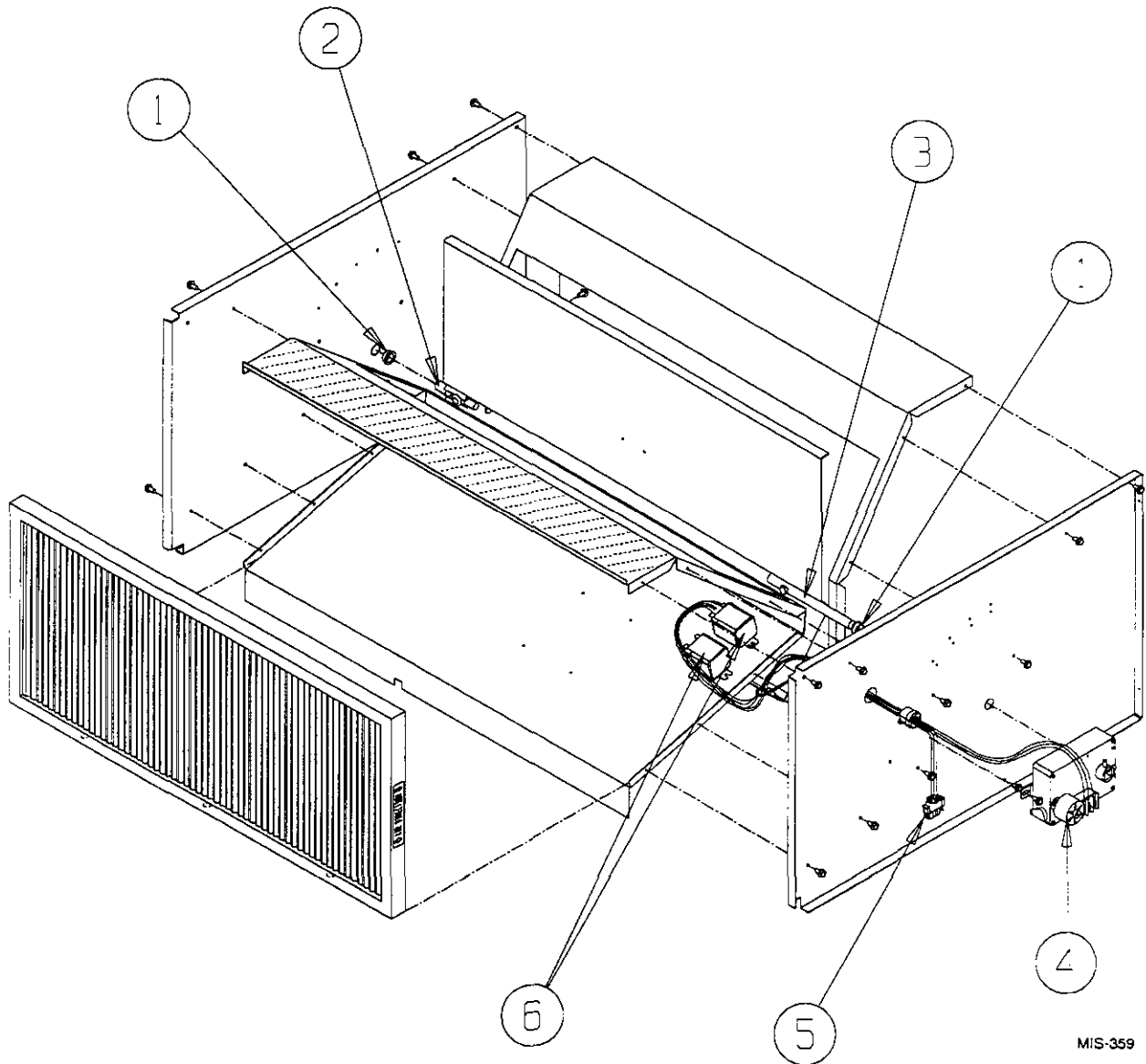


SEXP-358

Drawing

No.	Part No.	Description	WGCRVS-5	WGCRVP-5
1	S137-442	Front Fill	X	X
2	131-095	Blade Stop		X
3	S101Y378	Left Side	X	X
4	137-441	Rear Fill	X	X
5	139-139	Damper Blade	X	X
7	X101X378	Right Side	X	X
8	127-303	Base	X	X
9	7003-054	Mist Eliminator	X	X

FUNCTIONAL COMPONENTS



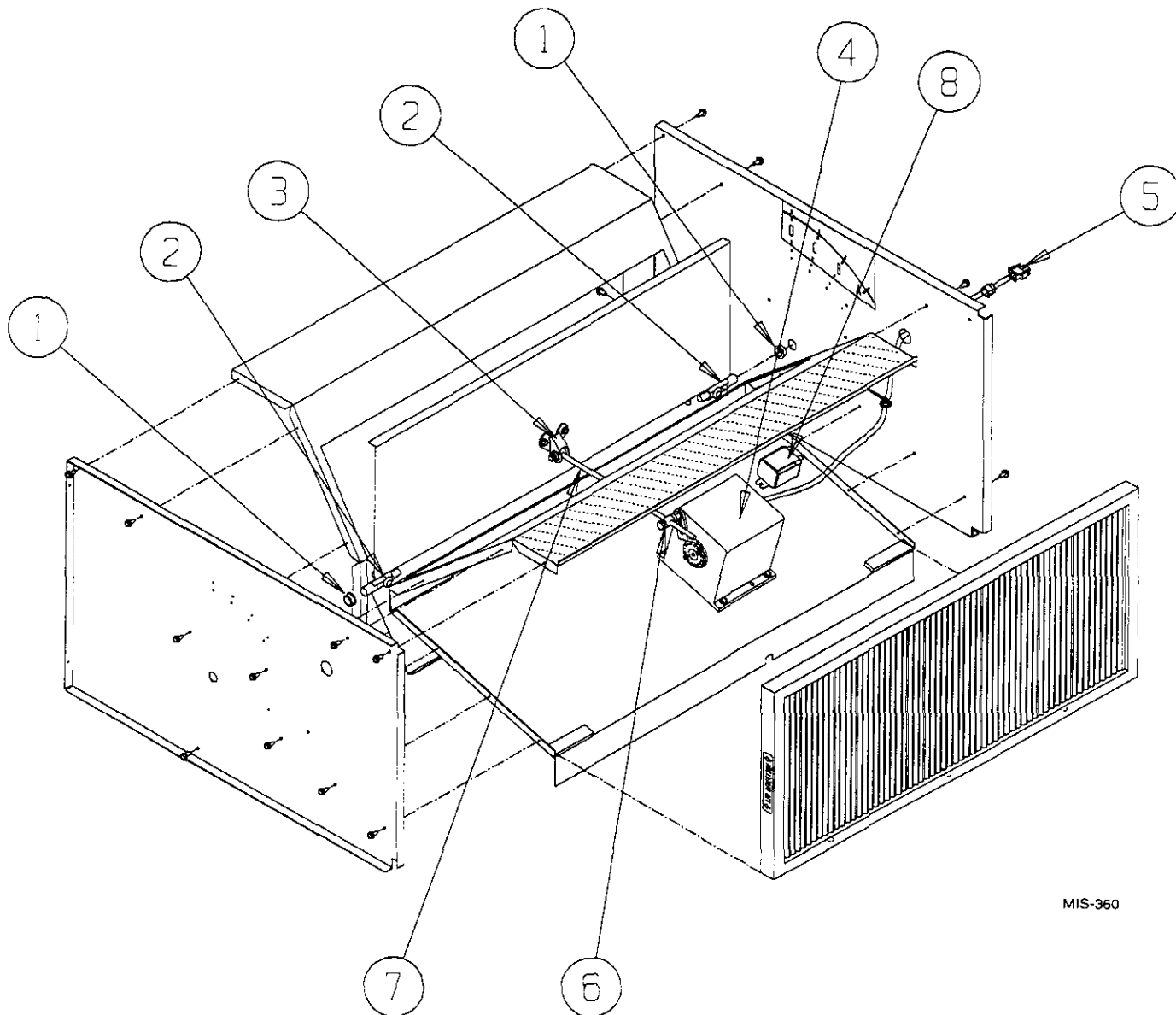
MIS-359

WGCRVP-5

Drawing

No.	Part No.	Description	
1	8602-052	Bushing	2
2	8602-038	Damper Blade Pin	X
3	8602-051	Shaft	X
4	8602-050	Damper Motor	X
5	3000-1117	Wire Assembly	X
6	8201-048	Relay	2

FUNCTIONAL COMPONENTS



MIS-360

Drawing

No.	Part No.	Description	WGCRVS-5
1	8602-052	Bushing	2
2	8602-038	Damper Blade Pin	2
3	8602-040	Bracket	X
4	8602-020	Damper Motor	X
5	3000-1116	Wire Assembly	X
6	8602-008	Ball Joint	X
7	8602-047	Rod	X
8	8201-0	Relay	X