

Replacement Parts Manual

Blower Coil Unit

Models:

BC24C and BC30C

General Notes

- Revised and/or additional pages may be issued from time to time.
- A complete and current manual consists of pages shown in the following contents section.

Important

- Contact the installing and/or local Bard distributor for all parts requirements. Make sure you have the complete model and serial number available from the unit rating plates.

Contents

Description	Page
Cabinet Components	
♦ Exploded View	1
♦ Usage List	2
Functional Components	
♦ Exploded View	3
♦ Usage List	4

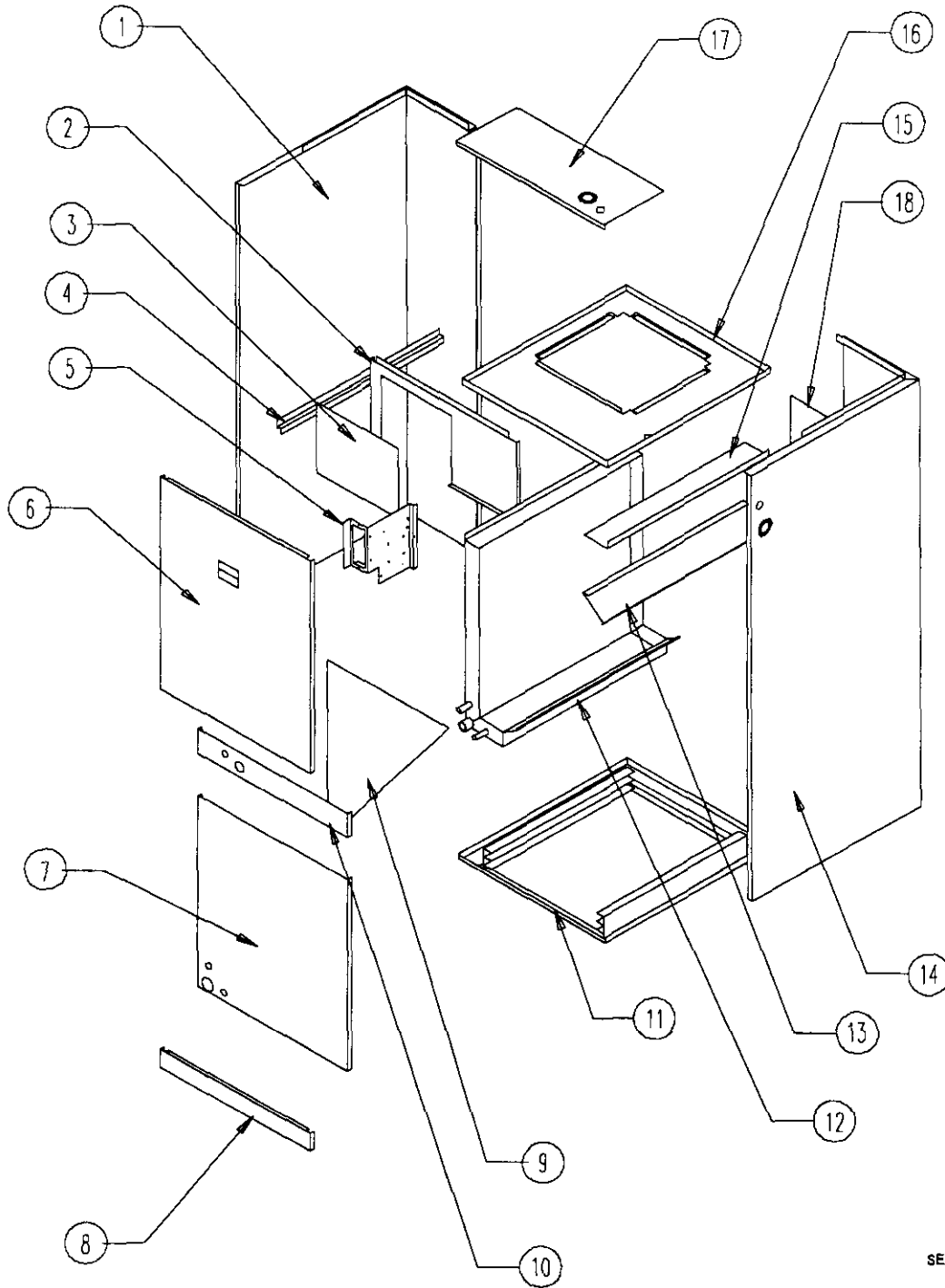


BARD MANUFACTURING COMPANY
Bryan, Ohio 43506

Since 1914...Moving ahead, just as planned.

Manual: 2110-104 Rev.E
Supersedes: Rev. D
Date: 11-01-96

CABINET COMPONENTS



SEXP-064

CABINET COMPONENTS

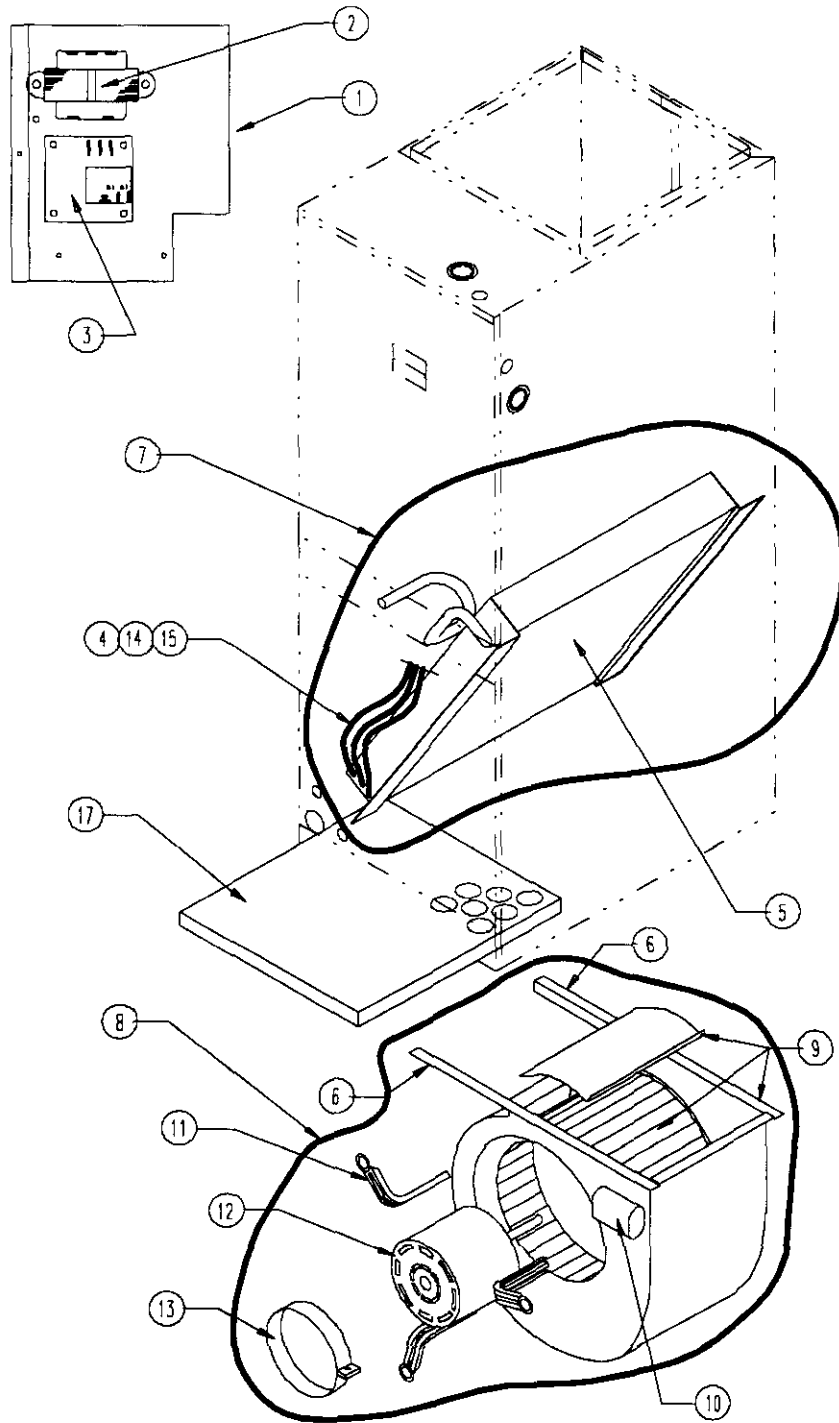
Drawing No.	Part No.	Description	BC24C	BC30C
1	500-196	Left Side (See Note A)	X	X
1	500-214	Left Side (See Note B)	X	X
2	120-140	Partition	X	X
3	136-144	Block Off Plate	X	X
4	102-392	Coil Assembly Support (Left Side)	X	X
5	116-118	Control Panel	X	X
6	552-162	Upper Door	X	X
7	552-163	Lower Door (See Note A)	X	X
7	552-190	Lower Door (See Note B)	X	X
8	552-164	Filter Door	X	X
9	136Y143	Coil Support	X	X
10	140-149	Quick Connect (See Note A)	X	X
10	540-173	Quick Connect (See Note B)	X	X
10	540-239	Tubing Entrance Panel (See Note C)	X	X
11	127-157	Lower Base Assembly	X	X
12	123-072	Water Pan Assembly	X	X
13	136-140	Top Coil Fill	X	X
14	500-195	Right Side (See Note A)	X	X
14	500-213	Right Side (See Note B)	X	X
15	140-147	Coil Assembly Support (Right Side)	X	X
16	126-158	Blower Base	X	X
17	506-118	Top Assembly	X	X
18	136X143	Coil Support	X	X

Note A: For units produced before date code L90

Note B: For units produced with date code L90 to M96.

Note C: For units produced with date code N96 and after.

FUNCTIONAL COMPONENTS



SEXP-063

FUNCTIONAL COMPONENTS

Drawing No.	Part No.	Description	BC24C	BC30C
1	8607-019	Terminal Strip	X	X
2	8407-034	Transformer 40VA	X	X
3	8201-056	Solid State Blower Control	X	X
4	5625-009	Distributor	X	X
5	5060-057	Evaporator Coil	X	X
6	104-816	Blower Angle	2	2
7	600-0040	Complete Coil Assembly w/Drain Pan	X	
7	600-0041	Complete Coil Assembly w/Drain Pan		X
8	900-149	Complete Blower Assembly	X	X
9	5152-064	Blower Wheel 10 x 6	X	X
10	8552-002	Capacitor 5 / 370W	X	X
11	8200-034	Motor Mount Arm	3	3
12	8104-008	Motor 1/4 HP 230V	X	X
13	8200-033	Motor Mount Band	X	X
14	5625-059	.059 Orifice	X	
14	5625-063	.063 Orifice		X
15	5625-021	5782 Coupling to R.H. Thread Adapter Swivel	X	X
17	7004-003	Filter 12 x 20 x 1	X	X
	4088-110	Wiring Diagram	X	X

