

REPLACEMENT PARTS MANUAL

BLOWER COIL UNIT

MODELS: BC24B AND BC30B

Manual 2110-104

Revision D

Date 04-01-93

Supersedes 08-30-91

* GENERAL NOTES *

*Revised and/or additional pages may be issued from time to time.
*A complete and current manual consists of pages dated as shown in the following index.

** INDEX **

<u>Page Description</u>	<u>Page</u>	<u>Date</u>	<u>Supersedes</u>
Cabinet Components--Exploded View	1	08-30-91	09-01-90
" " --Usage List	2	04-01-93	08-30-91
Functional Components--Exploded View	3	08-30-91	09-01-90
" " --Usage List	4	08-30-91	01-25-90

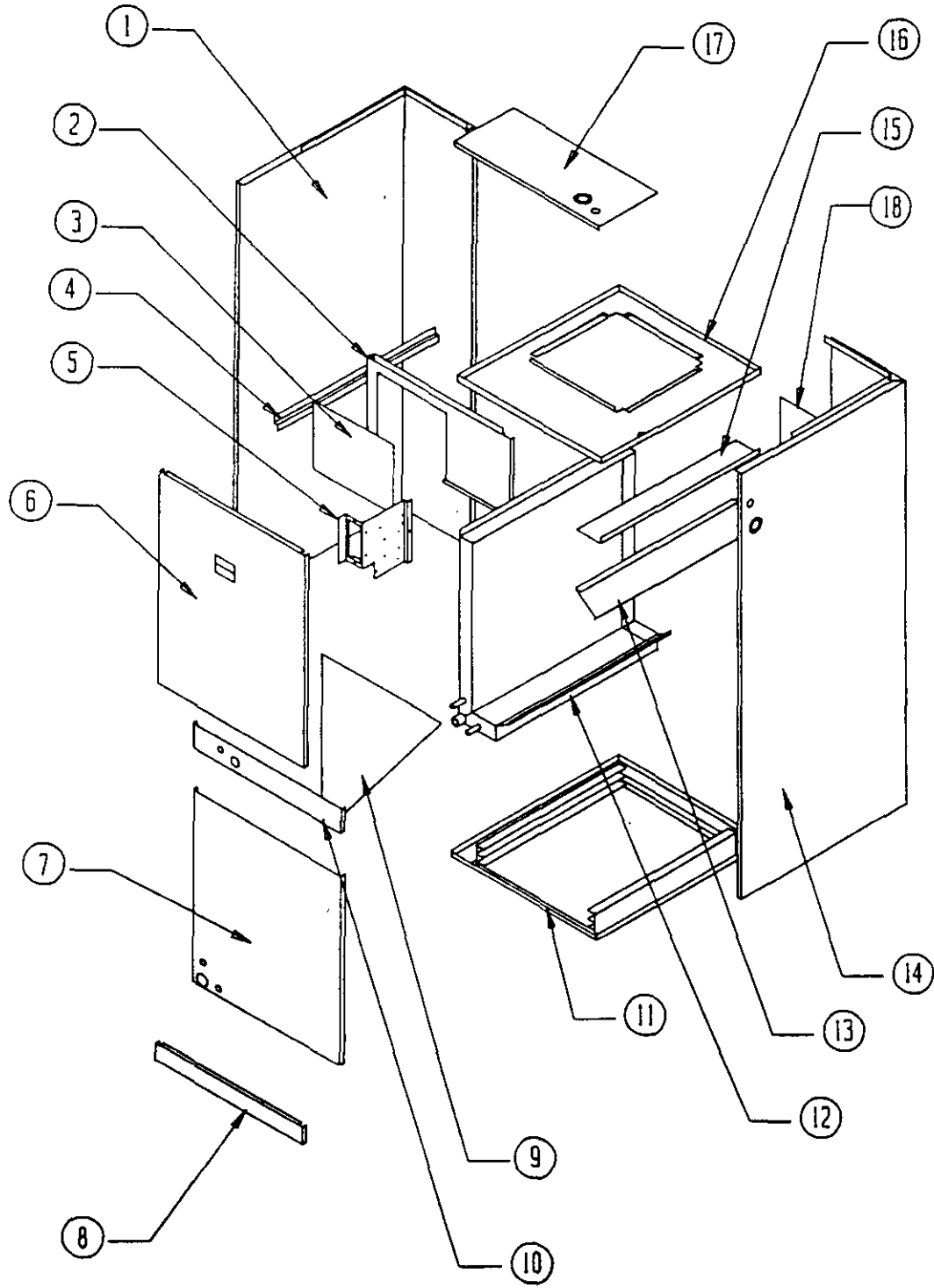
*** IMPORTANT ***

Contact the installing and/or local Bard distributor for all parts requirements. Make sure you have the complete model and serial number available from the unit rating plate.

BARD MANUFACTURING COMPANY

BRYAN, OHIO 43506

CABINET COMPONENTS



Date: 08-30-91
Supersedes: 09-11-90

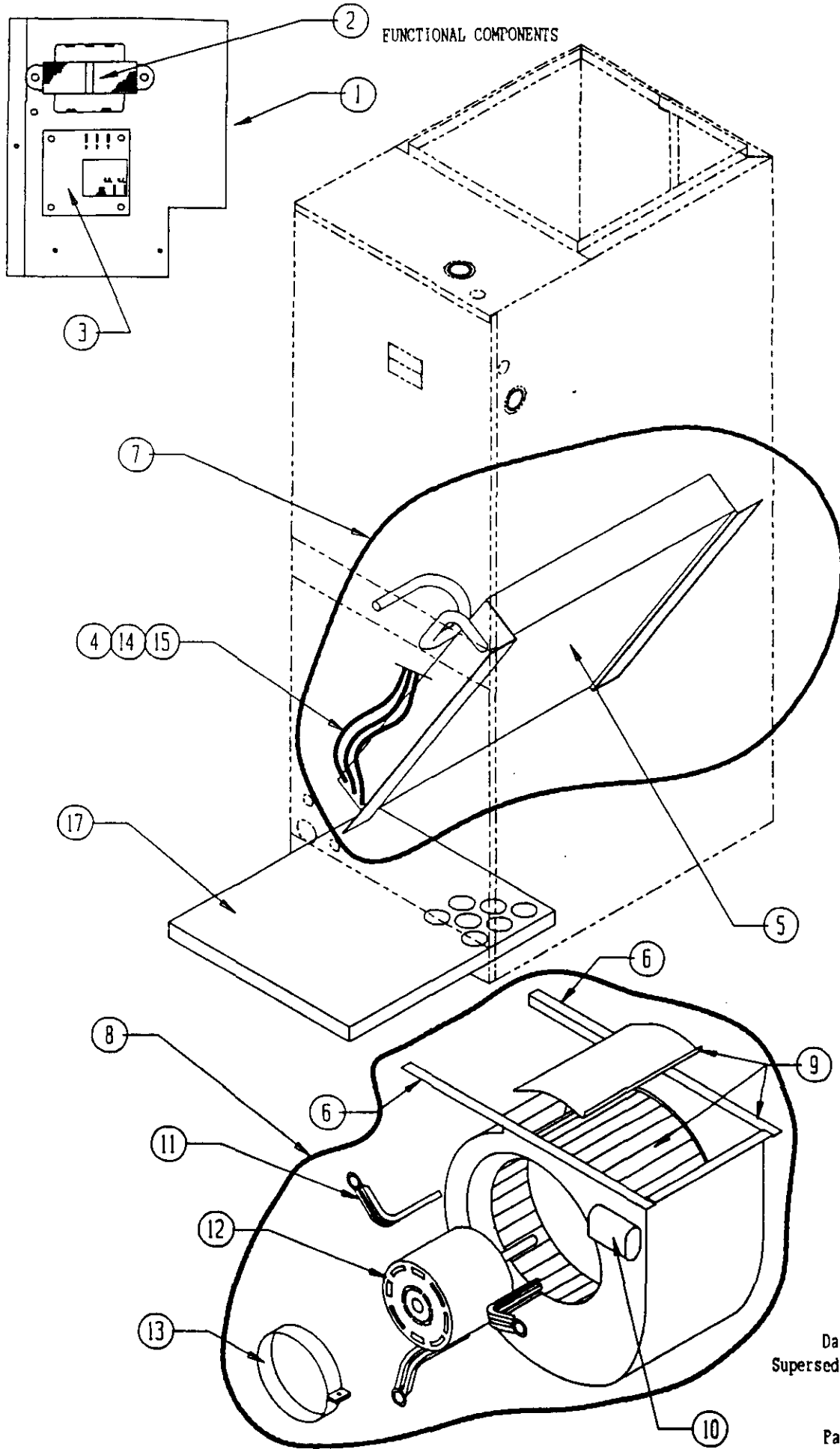
CABINET COMPONENTS

Dwg. No.	Part No.	Description	BC24B	BC30B
1	500-196	Left Side (See Note)	A	A
1	500-214	Left Side (See Note)	B	B
2	120-140	Partition	X	X
3	136-144	Block Off Plate	X	X
4	102-392	Coil Assembly Support (Left Side)	X	X
5	116-118	Control Panel Assembly	X	X
6	552-162	Upper Door	X	X
7	552-163	Lower Door (See Note)	A	A
7	552-190	Lower Door (See Note)	B	B
8	552-164	Filter Door	X	X
9	136X143	Coil Support	X	X
10	140-149	Quick Connect Support (See Note)	A	A
10	540-173	Quick Connect Support (See Note)	B	B
11	127-157	Lower Base Assembly	X	X
12	123-072	Water Pan Assembly	X	X
13	136-140	Top Coil Fill	X	X
14	500-195	Right Side (See Note)	A	A
14	500-213	Right Side (See Note)	B	B
15	140-147	Coil Assembly Support (Right Side)	X	X
16	126-158	Blower Base	X	X
17	506-118	Top Assembly	X	X
18	136X143	Coil Support	X	X

Note A: For units produced before date code L90.

Note B: For units produced with date code L90 and after.

Date: 04-01-93
Supersedes: 08-30-91



Date: 08-30-91
 Supersedes: 01-25-90

FUNCTIONAL COMPONENTS

Dwg. No.	Part No.	Description	BC24B	BC30B
1	8607-019	Terminal Strip	X	X
2	8407-034	Transformer 40VA	X	X
3	8201-056	Solid State Blower Control	X	X
4	5625-009	Distributor	X	X
5	5060-057	Evaporator Coil	X	X
6	104-816	Blower Angle	2	2
7	600-0031	Complete Coil Assembly W/Drain Pan	X	
	600-0032	Complete Coil Assembly W/Drain Pan		X
8	900-149	Complete Blower Assembly	X	X
9	5152-064	Blower Housing Assembly 10 x 6	X	X
10	8552-002	Capacitor 5/370V	X	X
11	8200-034	Motor Mount Arm	3	3
12	8104-008	Motor 1/4 HP 230V	X	X
13	8200-033	Motor Mount Band	X	X
14	5625-059	.059 Orifice	X	
14	5625-063	.063 Orifice		X
15	5625-002	5782 Coupling to R.H. Thread Adapter	X	X
17	7004-003	Filter 12 x 20 x 1	X	X
	4088-110	Wiring Diagram	X	X

Date: 08-30-91
Supersedes: 01-25-90

