

---

# Replacement Parts Manual

# Split Heat Pump

**Models: HHP501-F  
HHP601-F**

---

## General Notes

- Revised and/or additional pages may be issued from time to time.
- A complete and current manual consists of pages shown in the following contents section.

## Important

- Contact the installing and/or local Bard distributor for all parts requirements. Make sure you have the complete model and serial number available from the unit rating plates.

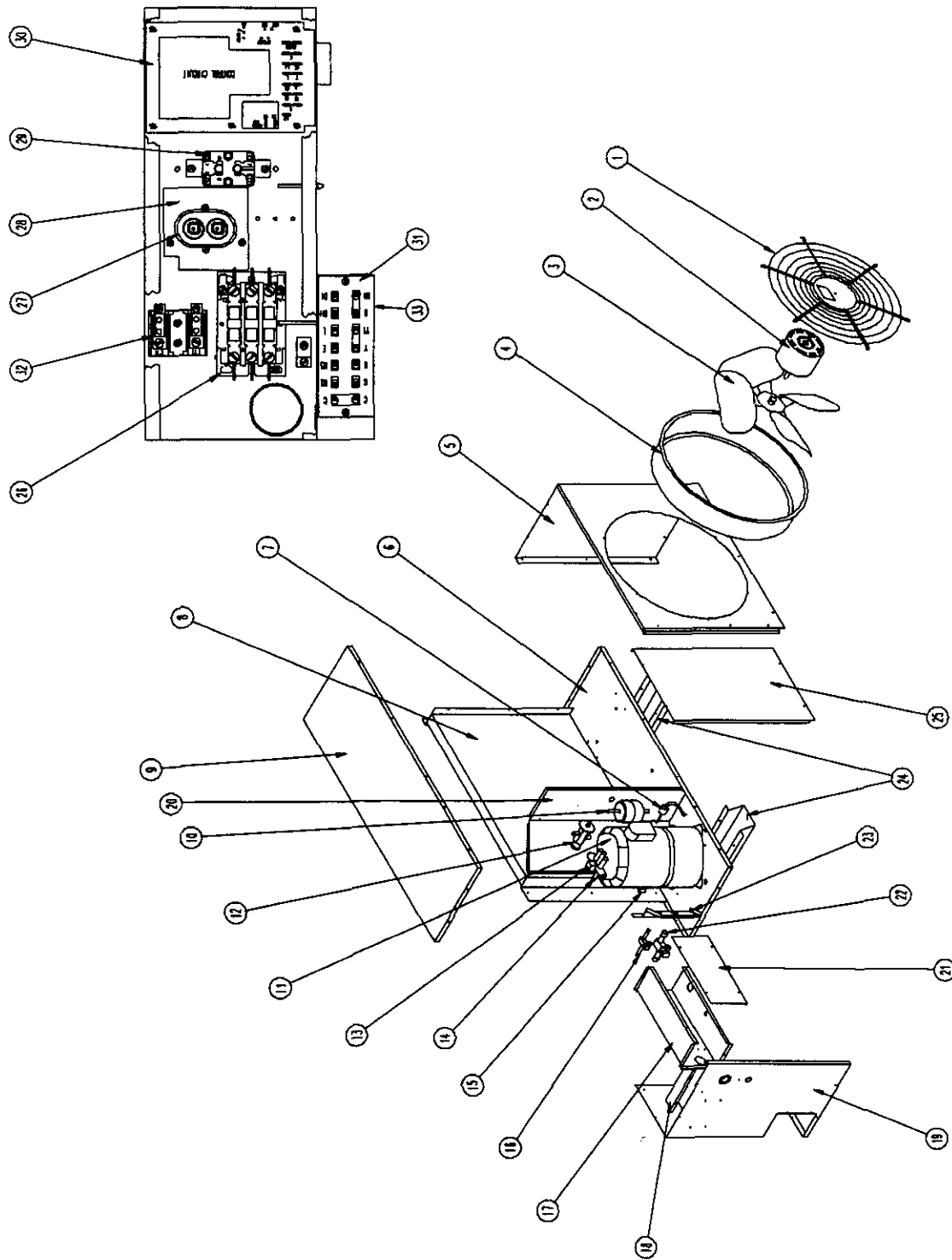
## Contents

Description	Page
Cabinet Components	
◆ Exploded View .....	1
◆ Usage List .....	2
Functional Components	
◆ Exploded View .....	1
◆ Usage List .....	2

---

Manual:	2110-058A
Rev:	2110-058
Date:	10-23-97

# Cabinet and Functional Components



SEXP-261

## Cabinet and Functional Components

Drawing No.	Part No.	Description	HHP501-F	HHP601-F
1	7051-018	Fan and Motor Mount Grille	X	X
2	8104-011	Motor — Fan	X	X
3	5151-036	Fan Blade	X	X
4	S166-014	Fan Venturi	X	X
5	101-297 - * ①	Right Side/Front	X	X
6	127-276	Base	X	X
7	8406-040	High Pressure Switch	X	X
8	5051-077	Condenser Coil	X	X
9	107-160- * ①	Top	X	X
10	5201-009	Filter Drier	X	X
11	8000-216	Compressor ZR61kc-TFD	X	
11	8000-215	Compressor ZR68kc-TFD		X
12	5651-143	Expansion Valve	X	X
13	5650-027	Reversing Valve Coil	X	X
14	5650-030	Reversing Valve	X	X
15	8408-031	Defrost Thermostat	X	X
16	5651-114	Base Valve 3/8" x 3/8"	X	X
17	117-200	Control Panel	X	X
18	165-544- * ①	Wire Channel	X	X
19	101-298- * ①	Left Side	X	X
20	121-280- * ①	Partition	X	X
21	133-122- * ①	Control Panel Cover	X	X
22	5651-119	Base Valve 7/8" x 7/8"	X	X
23	141-205- * ①	Base Valve Support	X	X
24	165-543- * ①	Channel	X	X
25	552-244- * ①	Service Door	X	X
26	8401-002	Contactora	X	X
27	8552-002	Capacitor 5/370V	X	X
28	112-210	Adapter Plate	X	X
29	8201-008	Emergency Heat Relay	X	X
30	8201-072	Heat Pump Control	X	X
31	8607-019	Terminal Strip	X	X
32	8607-013	Terminal Block	X	X
33	116-199	Low Voltage Block	X	X
N/A	4103-600	Wiring Diagram	X	X
N/A	5625-081	Restrictor w/.081 Orifice	X	
N/A	5625-087	Restrictor w/.087 Orifice		X

- ① Exterior cabinet parts manufactured with various paint color options. To insure that you receive the proper paint color, you must include the complete model and serial number of unit for which cabinet parts are ordered.

