
REPLACEMENT PARTS MANUAL

SPLIT AIR CONDITIONER

MODELS: HAC241-AD065
HAC301-AD065
HAC361-AD065
HAC421-AD065
HAC601-AD065

General Notes

- Revised and/or additional pages may be issued from time to time.
- A complete and current manual consists of pages shown in the following contents section.

Important

- Contact the installing and/or local Bard distributor for all parts requirements. Make sure you have the complete model and serial number available from the unit rating plates.

Contents

Description	Page
Functional and Cabinet Components	
• Exploded View	1
• Usage List	2
• Usage List	3

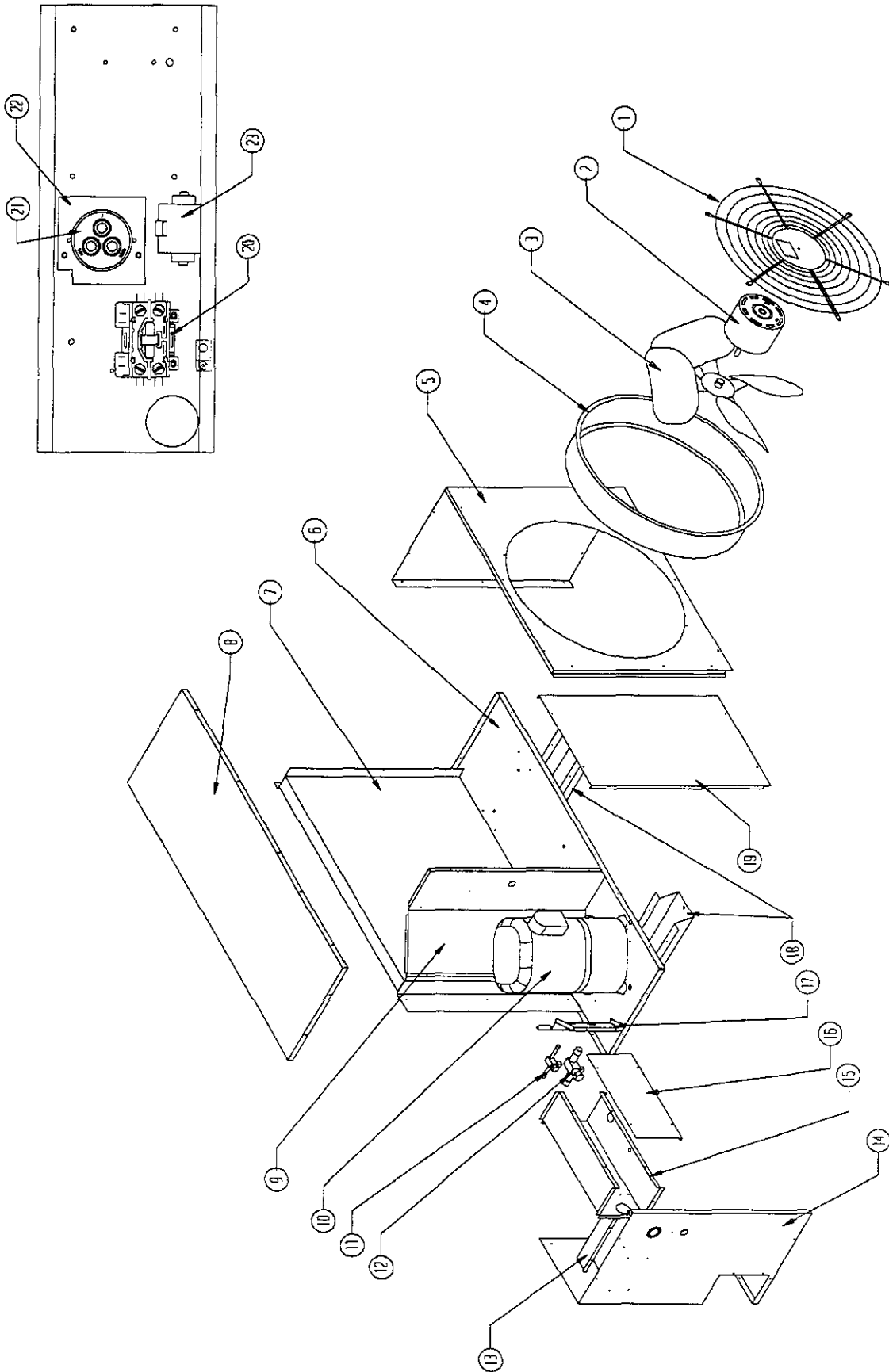


BARD MANUFACTURING COMPANY
Bryan, Ohio 43506
Since 1914...Moving ahead, just as planned.

Manual: 2110-015A
Supersedes: 2110-015
File:
Date: 06-18-01

FUNCTIONAL and CABINET COMPONENTS

SEX-214



FUNCTIONAL and CABINET COMPONENTS

Drawing No.	Part No.	Description	HAC241-AD065	HAC301-AD065	HAC361-AD065	HAC421-AD065	HAC601-AD065
1	7051-018	Fan and Motor Mount Grille				X	X
1	4051-029	Fan and Motor Mount Grille	X	X	X		
2	8102-010	Motor -- Fan 230/208-60-1	X	X	X		
2	8104-010	Motor -- Fan 230/208-60-1				X	X
3	5151-036	Fan Blade				X	X
3	5151-048	Fan Blade	X	X	X		
4	S166-014	Fan Venturi				X	X
4	S166-015	Fan Venturi	X	X	X		
5	101-280-X	Right Side / Front		X	X		
5	101-284-X	Right Side / Front	X				
5	101-297-X	Right Side / Front				X	X
6	127-227	Base		X	X		
6	127-238	Base	X				
6	127-247	Base				X	X
7	5054-068	Condenser Coil		X			
7	5054-071	Condenser Coil	X				
7	5054-078	Condenser Coil				X	
7	5054-083	Condenser Coil					X
7	5054-066	Condenser Coil			X		
8	107-150-X	Top		X	X		
8	107-154-X	Top	X				
8	107-160-X	Top				X	X
9	121-260-X	Partition	X	X	X		
9	121-280-X	Partition				X	X
10	8000-130	Compressor CR38K6-PFV				X	
10	8000-179	Compressor H27A56QCBC					X
10	8000-166	Compressor CR28K6-PFV-370		X			
10	8000-167	Compressor CR22K6-PFV-370	X				
10	8000-165	Compressor CR32K6-PFV			X		
11	5651-114	Base Valve 3/8" x 3/8"	X	X	X	X	X
12	5651-113	Base Valve 3/4" x 3/4"	X	X	X		
12	5651-119	Base Valve 7/8" x 7/8"				X	X
13	165-544-X	Wire Channel	X	X	X	X	X
14	101-279-X	Left Side	X	X	X		
14	101-298-X	Left Side				X	X
15	117-200	Control Panel	X	X	X	X	X
16	133-122	Control Panel Cover	X	X	X	X	X
17	141-205-X	Base Valve Support	X	X	X	X	X
18	165-543	Channel	2	2	2	2	2

Parts List Continued on Page 3

FUNCTIONAL and CABINET COMPONENTS

HAC241-AD065
 HAC301-AD065
 HAC361-AD065
 HAC421-AD065
 HAC601-AD065

Parts List Continued from Page 2

Drawing No.	Part No.	Description					
19	153-232-X	Service Door	X	X	X		
19	553-244-X	Service Door				X	X
20	8401-007	Contactor 1Pole 25A	X	X	X	X	
20	8401-016	Contactor 1Pole 35A					X
21	8552-047	Capacitor 30+5/370V	X				
21	8552-048	Capacitor 35+5/370V		X			
21	8552-051	Capacitor 40+5/440V				X	
21	8552-062	Capacitor 60+5/370V					X
21	8552-049	Capacitor 35+5/440V			X		
22	112-101	Adapter Plate	X	X	X		
23	8551-007	Motor Starting Device					X
NS	4099-100	Wiring Diagram	X	X	X	X	X