



REPLACEMENT PARTS MANUAL SPLIT AIR CONDITIONER

MODEL: HAC361-AD041

GENERAL NOTES

- * Revised and/or additional pages may be issued from time to time.
- * A complete and current manual consists of pages dated as shown in the following index.

INDEX

PAGE DESCRIPTION	PAGE	DATE	SUPERSEDES
Functional/Cabinet/Control Panel--Exploded	2	02-15-95	
Functional/Cabinet/Control Panel--Usage List	3	02-15-95	

IMPORTANT

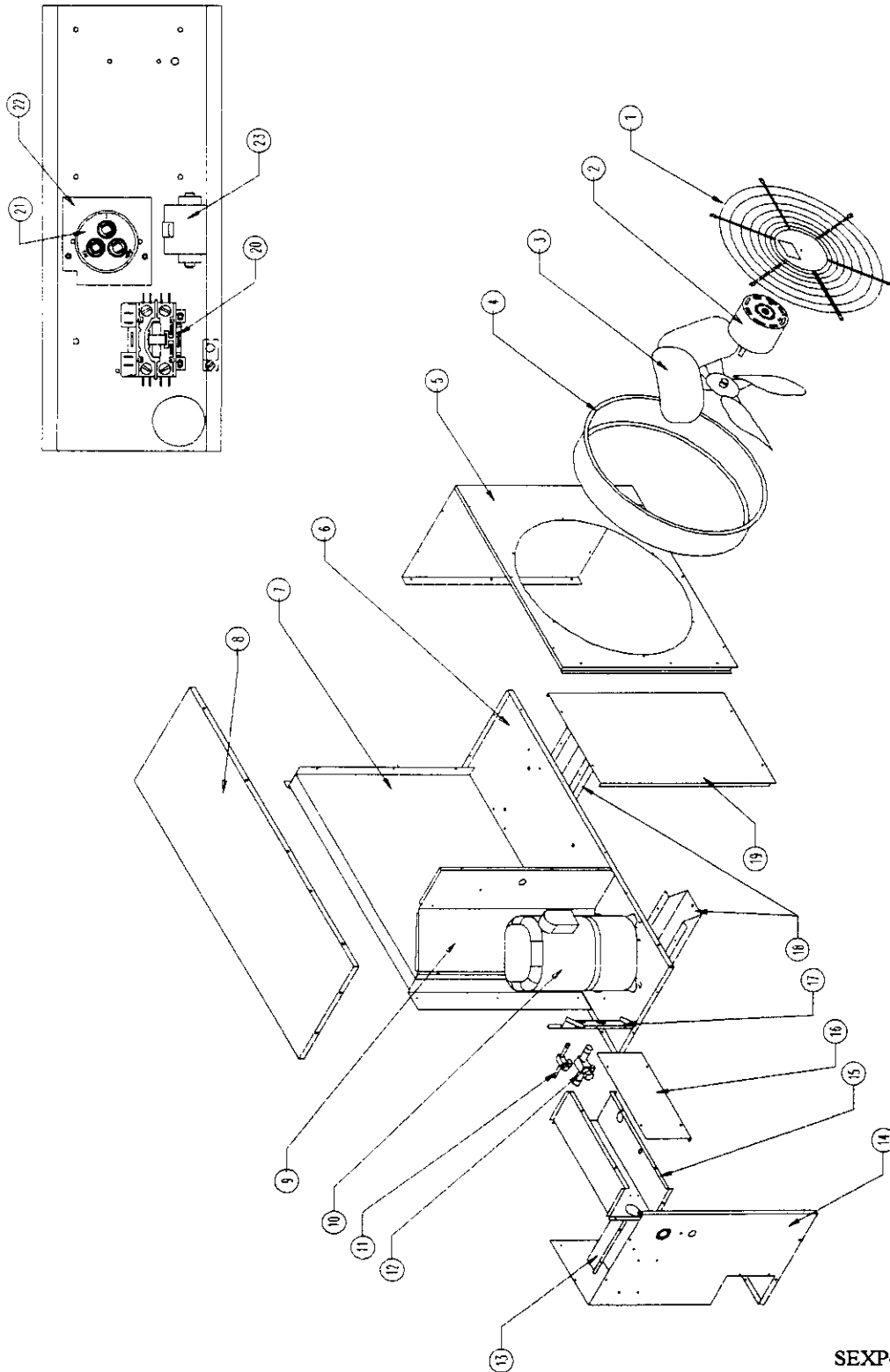
Contact the installing and/or local Bard distributor for all parts requirements. Make sure you have the complete model and serial number available from the unit rating plates.

BARD MANUFACTURING COMPANY
Bryan, Ohio 43506

Since 1914...Moving, ahead just as planned.

Manual: 2110-011 Rev.
Supersedes: Rev.
File: 2150-004, Tab 4

Functional and Cabinet Components



SEXP-214

Dwg. No.	Part No.	Functional and Cabinet Components	
		Description	HAC361-A041
1	7051-029	Fan and Motor Mount Grille	x
2	8102-010	Motor--Fan 230/208-60-1	x
3	5151-048	Fan Blade	x
4	167-018	Fan Venturi	x
5	100-306	Right Side/Front	x
6	126-254	Base	x
7	5054-066	Condenser Coil	x
8	106-167	Top	x
9	120-282	Partition	x
10	8000-165	Compressor CR32K6-PFV-370	x
11	5651-114	Base Valve 3/8" x 3/8"	x
12	5651-113	Base Valve 3/4" x 3/4"	x
13	164-551	Wire Channel	x
14	100-305	Left Side	x
15	116-173	Control Panel	x
16	132-130	Control Panel Cover	x
17	140-213	Base Valve Support	x
18	164-550	Channel	x
19	152-252	Service Door	x
20	8401-007	Contactora 1P25A	x
21	8552-049	Capacitor 35+5/440V	x
N/A	4099-100	Wiring Diagram	x
	5625-069	Restrictor w/.069 Orifice	x

