

REPLACEMENT PARTS MANUAL

SPLIT AIR CONDITIONER

MODELS: HAC181-AD039, HAC241-AD039,
HAC301-AD039, HAC361-AD039

240V ← COMP. CONTACTOR
COIL

Manual 2110-010 Revision Date 6-30-94 Supersedes

* GENERAL NOTES *

*Revised and/or additional pages may be issued from time to time.
*A complete and current manual consists of pages dated as shown in the following index.

** INDEX **

| <u>Page Description</u> | <u>Page</u> | <u>Date</u> | <u>Supersedes</u> |
|---|-------------|-------------|-------------------|
| Functional, Cabinet, Control Panel--Exploded View | 1 | 6-30-94 | |
| " " " " --Usage List | 2 | 6-30-94 | |

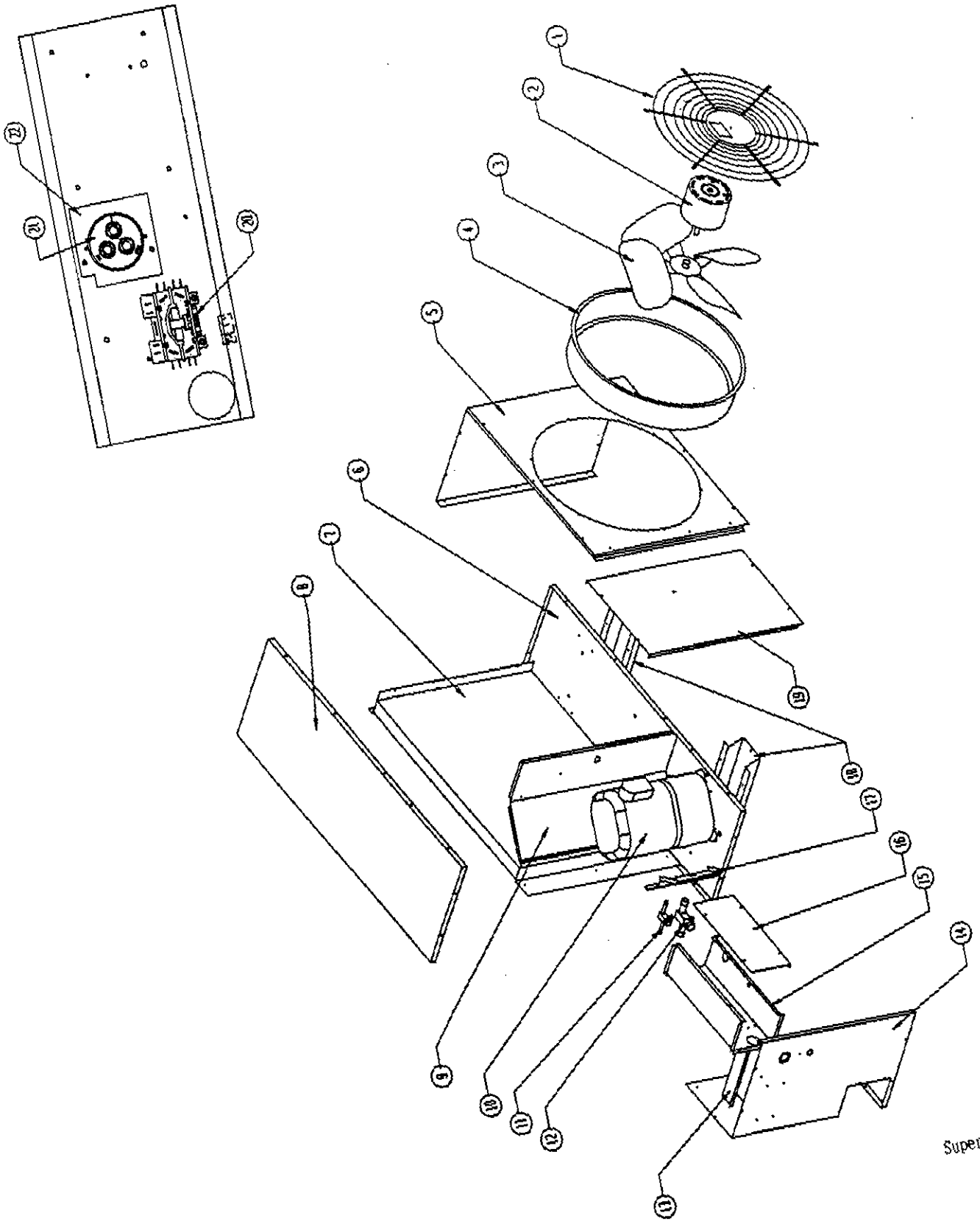
*** IMPORTANT ***

Contact the installing and/or local distributor for all parts requirements. Make sure you have the complete model and serial number available from the unit rating plate.

BARD MANUFACTURING COMPANY

BRYAN, OHIO

FUNCTIONAL AND CABINET COMPONENTS



SEXP-214

Date: 6-30-9
Supersedes: 2110-9
Page: 1

FUNCTIONAL AND CABINET COMPONENTS

| Dwg. No. | Part No. | Description | H | H | H | H |
|----------|----------|---------------------------|---|---|---|---|
| | | | A | A | A | A |
| | | | C | C | C | C |
| | | | 1 | 2 | 3 | 3 |
| | | | 8 | 4 | 0 | 6 |
| | | | 1 | 1 | 1 | 1 |
| | | | - | - | - | - |
| | | | A | A | A | A |
| | | | D | D | D | D |
| | | | 0 | 0 | 0 | 0 |
| | | | 3 | 3 | 3 | 3 |
| | | | 9 | 9 | 9 | 9 |
| 1 | 7051-029 | Fan & Motor Mount Grille | x | x | x | x |
| 2 | 8102-010 | Motor--Fan 230/208-60-1 | x | x | x | x |
| 3 | 5151-048 | Fan Blade | x | x | x | x |
| 4 | S166-015 | Fan Venturi | x | x | x | x |
| 5 | 100-280 | Right Side/Front | | | x | x |
| 5 | 100-284 | Right Side/Front | x | x | | |
| 6 | 126-227 | Base | | | x | x |
| 6 | 126-238 | Base | x | x | | |
| 7 | 5051-066 | Condenser Coil | | | | x |
| 7 | 5051-068 | Condenser Coil | | | x | |
| 7 | 5051-071 | Condenser Coil | x | x | | |
| 8 | 106-150 | Top | | | x | x |
| 8 | 106-154 | Top | x | x | | |
| 9 | 120-260 | Partition | x | x | x | x |
| 10 | 8000-165 | Compressor CR32K6-PFV-370 | | | | x |
| 10 | 8000-166 | Compressor CR28K6-PFV-370 | | | x | |
| 10 | 8000-167 | Compressor CR22K6-PFV-370 | | x | | |
| 10 | 8000-168 | Compressor CR16K6-PFV-370 | x | | | |
| 11 | 5651-114 | Base Valve 3/8" x 3/8" | | x | x | x |
| 11 | 5651-116 | Base Valve 3/8" x 1/4" | x | | | |
| 12 | 5651-113 | Base Valve 3/4" x 3/4" | | x | x | x |
| 12 | 5651-115 | Base Valve 5/8" x 5/8" | x | | | |
| 13 | 164-544 | Wire Channel | x | x | x | x |
| 14 | 100-279 | Left Side | x | x | x | x |
| 15 | 116-159 | Control Panel | x | x | x | x |
| 16 | 132-122 | Control Panel Cover | x | x | x | x |
| 17 | 140-205 | Base Valve Support | x | x | x | x |
| 18 | 164-543 | Channel | 2 | 2 | 2 | 2 |
| 19 | 152-232 | Service Door | x | x | x | x |
| 20 | 8401-028 | Contactora | x | x | x | x |
| 21 | 8552-046 | Capacitor 25+5/370V | x | | | |
| 21 | 8552-047 | Capacitor 30+5/370V | | x | | |
| 21 | 8552-048 | Capacitor 35+5/370V | | | x | |
| 21 | 8552-049 | Capacitor 35+5/440V | | | | x |
| 22 | 112-101 | Adapter Plate | x | x | x | |
| N/A | 4099-101 | Wiring Diagram | x | x | x | x |
| N/A | 5625-052 | Restrictor w/.052 Orifice | x | | | |
| N/A | 5625-055 | Restrictor w/.055 Orifice | | x | | |
| N/A | 5625-063 | Restrictor w/.063 Orifice | | | x | |
| N/A | 5625-069 | Restrictor w/.069 Orifice | | | | x |

Date: 6-30-94
Supersedes:

