

---

# Replacement Parts Manual

# Split Air Conditioner

Models:

**HAC181-AD039**  
**HAC241-AD039**  
**HAC301-AD039**  
**HAC361-AD039**

---

## General Notes

- Revised and/or additional pages may be issued from time to time.
- A complete and current manual consists of pages shown in the following contents section.

## Important

- Contact the installing and/or local Bard distributor for all parts requirements. Make sure you have the complete model and serial number available from the unit rating plates.

## Contents

Description	Page
Cabinet Components	
♦ Exploded View .....	1
♦ Usage List .....	2
Functional Components	
♦ Exploded View .....	1
♦ Usage List .....	2

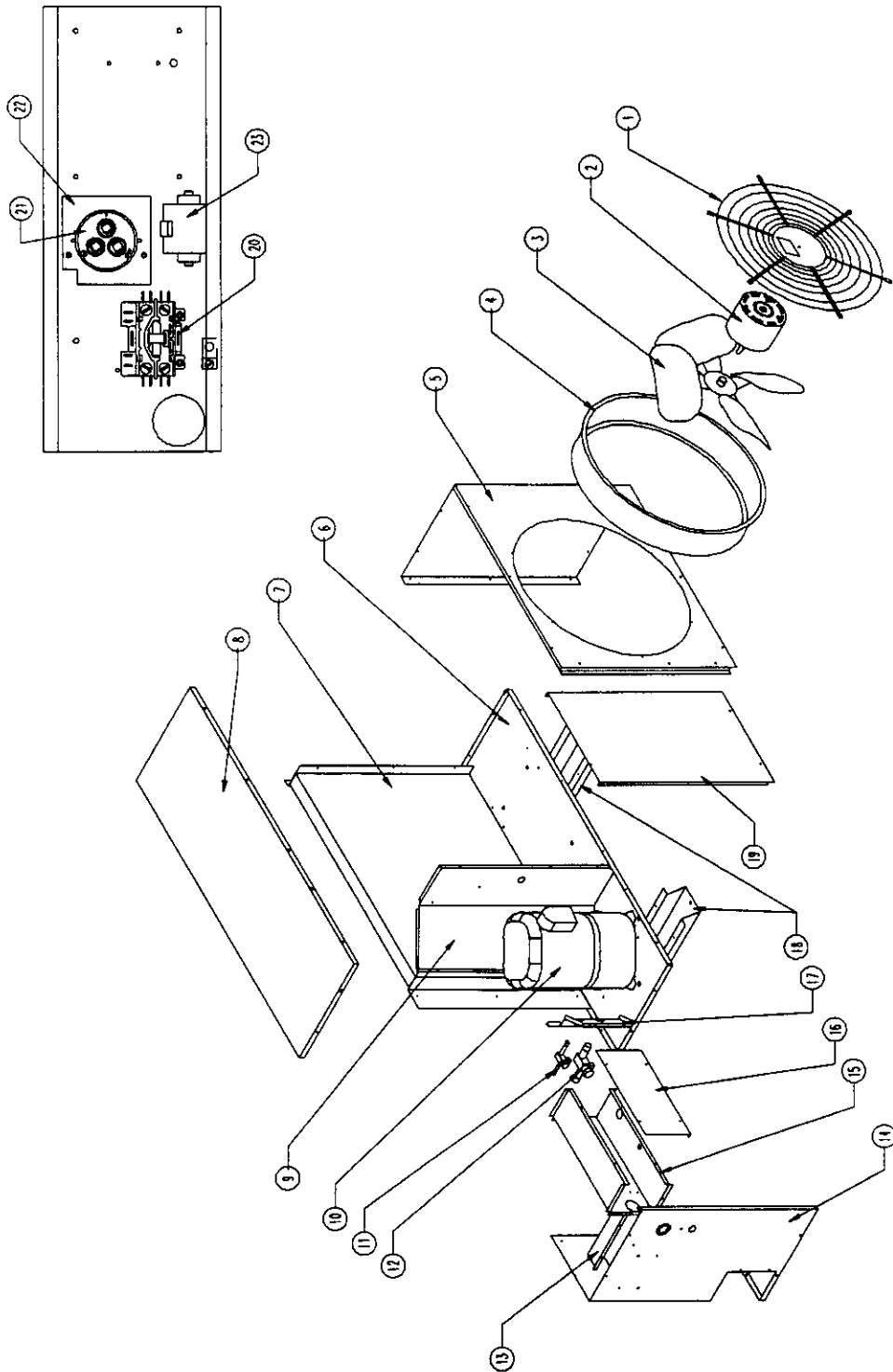


**BARD MANUFACTURING COMPANY**  
Bryan, Ohio 43506

*Since 1914...Moving, ahead just as planned.*

Manual: 2110-010A  
Rev: 2110-010  
Date: 04-09-97

# Functional and Cabinet Components



SEXP-614

## Functional and Cabinet Components

Drawing			HAC181-AD039	HAC241-AD039	HAC301-AD039	HAC361-AD039
No.	Part No.	Description				
1	7051-029	Fan & Motor Mount Grille	X	X	X	X
2	8102-010	Motor – Fan 230/208-60-1	X	X	X	X
3	5151-048	Fan Blade	X	X	X	X
4	S166-015	Fan Venturi	X	X	X	X
5	100-280	Right Side/Front			X	X
5	100/284	Right Side/Front	X	X		
6	127-227	Base			X	X
6	127-238	Base	X	X		
7	5051-066	Condenser Coil				X
7	5051-068	Condenser Coil			X	
7	5051-071	Condenser Coil	X	X		
8	107-150-X	Top			X	X
8	107-154-X	Top	X	X		
9	121-260-X	Partition	X	X	X	X
10	8000-165	Compressor CR32K6-PFV-370				X
10	8000-166	Compressor CR28K6-PFV-370			X	
10	8000-167	Compressor CR22K6-PFV-370		X		
10	8000-168	Compressor CR16K6-PFV-370	X			
11	5651-114	Base Valve 3/8" x 3/8"		X	X	X
11	5651-115	Base Valve 3/8" x 1/4"	X			
12	5651-113	Base Valve 3/4" x 3/4"		X	X	X
12	5651-115	Base Valve 5/8" x 5/8"	X			
13	165-544-X	Wire Channel	X	X	X	X
14	101-279-X	Left Side	X	X	X	X
15	117-159	Control Panel	X	X	X	X
16	133-122-X	Control Panel Cover	X	X	X	X
17	141-205-X	Base Valve Support	X	X	X	X
18	165-543	Channel	X	X	X	X
19	153-232-X	Service Door	X	X	X	X
20	8401-028	Contactora	X	X	X	X
21	8552-046	Capacitor 25+5/370V	X			
21	8552-047	Capacitor 30+5/370V		X		
21	8552-048	Capacitor 35+5/370V			X	
21	8552-049	Capacitor 25+5/440V				X
22	112-101	Adapter Plate	X	X	X	
NS	4099-101	Wiring Diagram	X	X	X	X
NS	5625-052	Restrictor w/.52 Orifice	X			
NS	5625-055	Restrictor w/.55 Orifice		X		
NS	5625-063	Restrictor w/.63 Orifice			X	
NS	5625-069	Restrictor w/.69 Orifice				X

NS — Not Shown

