

REPLACEMENT PARTS MANUAL

SPLIT AIR CONDITIONER

MODELS: HAC181-A, HAC241-A,
HAC301-A, HAC361-A

Manual 2110-009

Revision

Date 2-25-94

Supersedes

* GENERAL NOTES *

*Revised and/or additional pages may be issued from time to time.
*A complete and current manual consists of pages dated as shown in the following index.

** INDEX **

<u>Page Description</u>	<u>Page</u>	<u>Date</u>	<u>Supersedes</u>
Functional, Cabinet, Control Panel--Exploded View	1	2-25-94	
" " " " --Usage List	2	2-25-94	

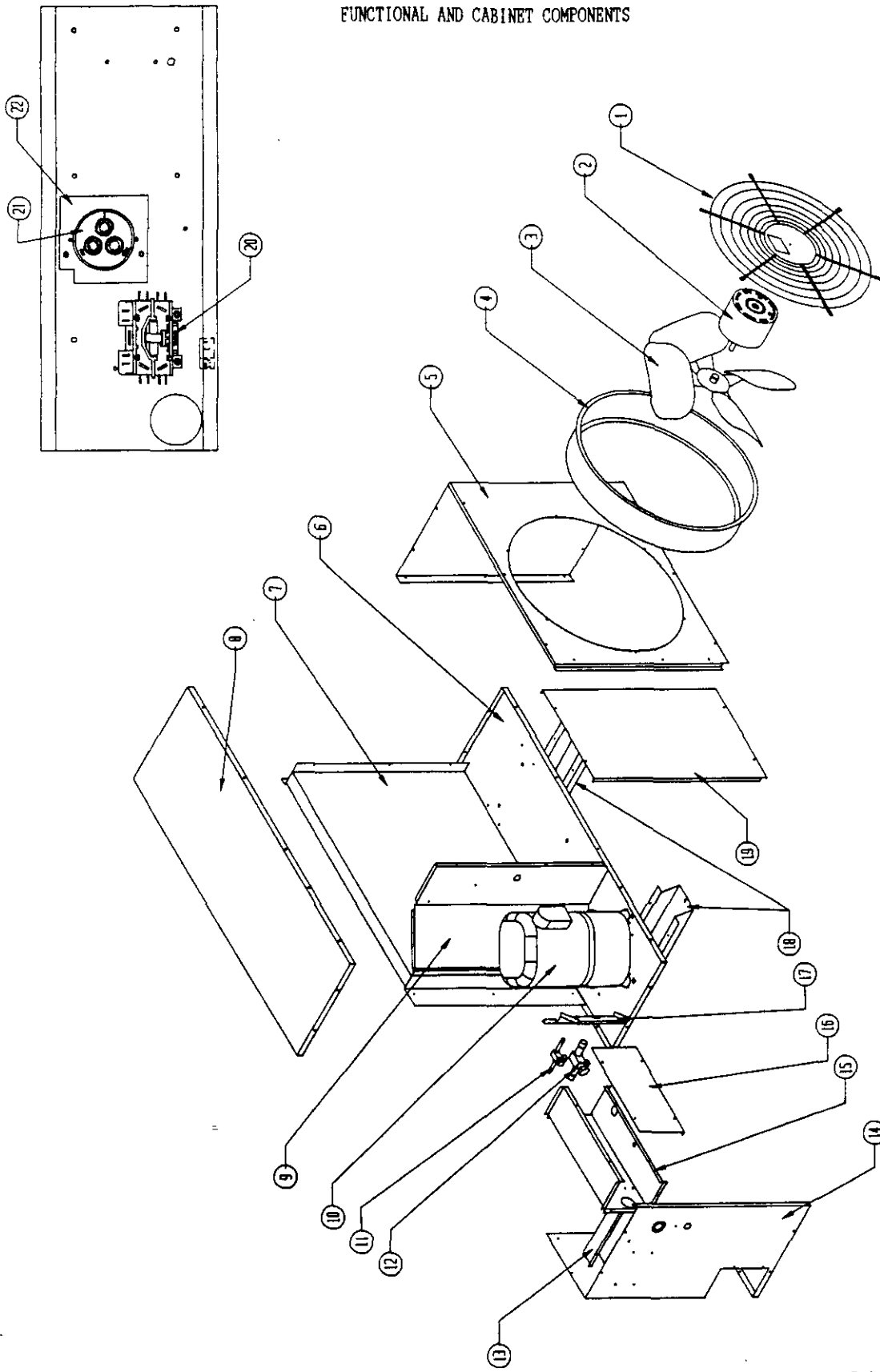
*** IMPORTANT ***

Contact the installing and/or local distributor for all parts requirements. Make sure you have the complete model and serial number available from the unit rating plate.

BARD MANUFACTURING COMPANY

BRYAN, OHIO

FUNCTIONAL AND CABINET COMPONENTS



SXP-214

Date: 2-25-94
Supersedes:

2110-009
Page: 1

FUNCTIONAL AND CABINET COMPONENTS

Dwg. No.	Part No.	Description	H A C 1 8 1 - A	H A C 2 4 1 - A	H A C 3 0 1 - A	H A C 3 6 1 - A
1	7051-029	Fan & Motor Mount Grille	x	x	x	x
2	8102-010	Motor--Fan 230/208-60-1	x	x	x	x
3	5151-048	Fan Blade	x	x	x	x
4	S166-015	Fan Venturi	x	x	x	x
5	100-280	Right Side/Front			x	x
5	100-284	Right Side/Front	x	x		
6	126-227	Base			x	x
6	126-238	Base	x	x		
7	5051-066	Condenser Coil				x
7	5051-068	Condenser Coil			x	
7	5051-071	Condenser Coil	x	x		
8	106-150	Top			x	x
8	106-154	Top	x	x		
9	120-260	Partition	x	x	x	x
10	8000-165	Compressor CR32K6-PFV-370				x
10	8000-166	Compressor CR28K6-PFV-370			x	
10	8000-167	Compressor CR22K6-PFV-370		x		
10	8000-168	Compressor CR16K6-PFV-370	x			
11	5651-114	Base Valve 3/8" x 3/8"		x	x	x
11	5651-116	Base Valve 3/8" x 1/4"	x			
12	5651-113	Base Valve 3/4" x 3/4"		x	x	x
12	5651-115	Base Valve 5/8" x 5/8"	x			
13	164-544	Wire Channel	x	x	x	x
14	100-279	Left Side	x	x	x	x
15	116-159	Control Panel	x	x	x	x
16	132-122	Control Panel Cover	x	x	x	x
17	140-205	Base Valve Support	x	x	x	x
18	164-543	Channel	2	2	2	2
19	152-232	Service Door	x	x	x	x
20	8401-007	Capacitor 1P25A	x	x	x	x
21	8552-046	Capacitor 25+5/370V	x			
21	8552-047	Capacitor 30+5/370V		x		
21	8552-048	Capacitor 35+5/370V			x	
21	8552-049	Capacitor 35+5/440V				x
22	112-101	Adapter Plate	x	x	x	
N/A	4099-100	Wiring Diagram	x	x	x	x
N/A	5625-052	Restrictor w/.052 Orifice	x			
N/A	5625-055	Restrictor w/.055 Orifice		x		
N/A	5625-063	Restrictor w/.063 Orifice			x	
N/A	5625-069	Restrictor w/.069 Orifice				x

Date: 2-25-94
Supersedes:

