
Replacement Parts Manual

Split Air Conditioner

Models:

HAC181-A HAC241-A
HAC301-A HAC361-A
HAC421-A HAC481-A
HAC481-B HAC601-A
HAC601-B

General Notes

- Revised and/or additional pages may be issued from time to time.
- A complete and current manual consists of pages shown in the following contents section.

Important

- Contact the installing and/or local Bard distributor for all parts requirements. Make sure you have the complete model and serial number available from the unit rating plates.

Contents

Description	Page
Cabinet Components	
♦ Exploded View	1
♦ Usage List	2
Functional Components	
♦ Exploded View	1
♦ Usage List	2

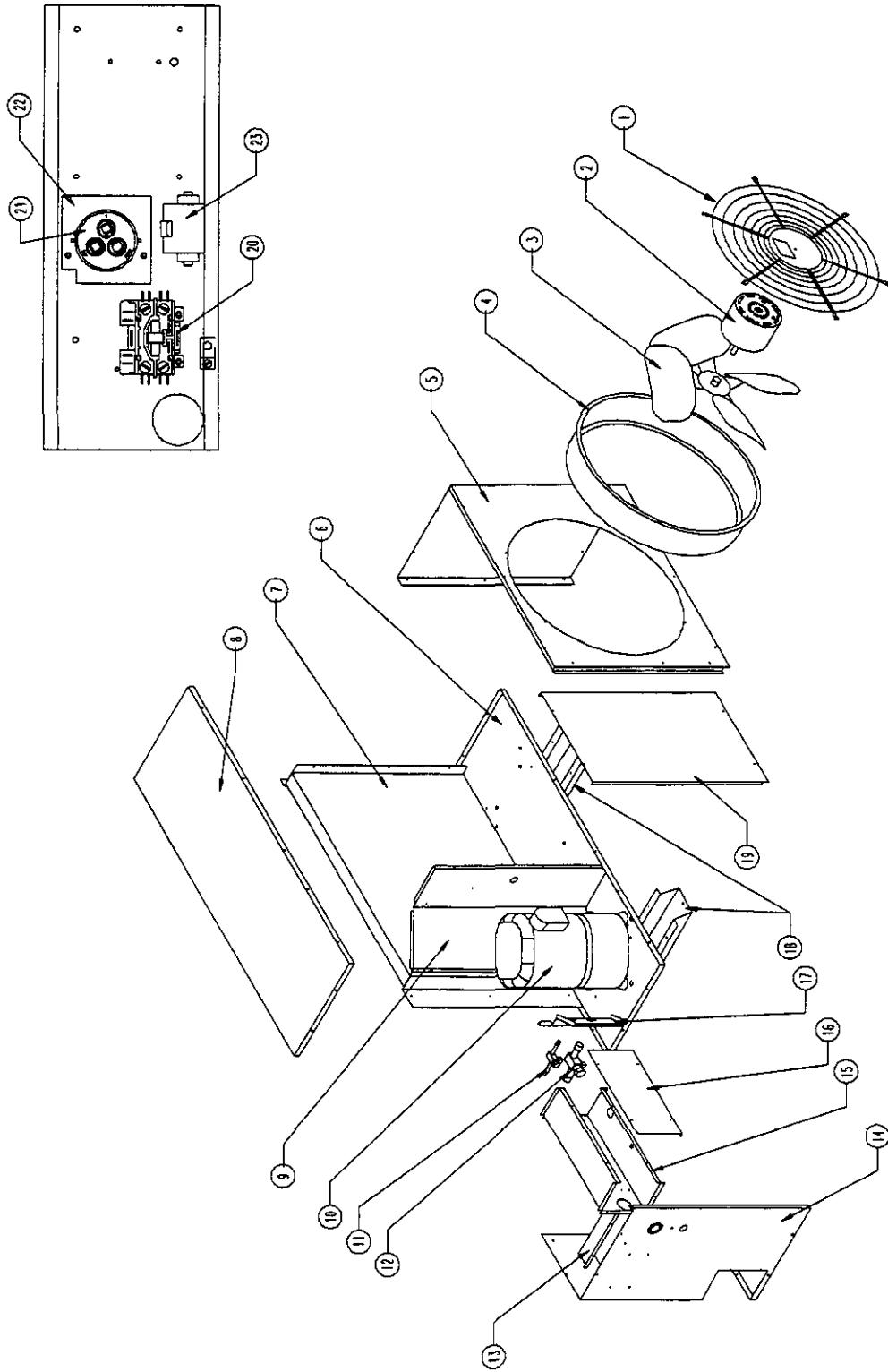


BARD MANUFACTURING COMPANY
Bryan, Ohio 43506

Since 1914...Moving, ahead just as planned.

Manual: 2110-009D
Supersedes: Rev. C
Date: 01-15-99

Functional and Cabinet Components



SEXP-214

Functional and Cabinet Components

Dwg. No.	Part No.	Description	HAC181-A	HAC241-A	HAC301-A	HAC361-A	HAC421-A	HAC481-A	HAC481-B	HAC601-A	HAC601-B
1	7051-018	Fan & Motor Mount Grille					X	X	X	X	X
1	7051-029	Fan & Motor Mount Grille	X	X	X	X	X	X	X	X	X
2	8102-010	Motor – Fan 230/208-60-1	X	X	X	X					
2	8104-010	Motor – Fan 230/208-60-1					X	X	X	X	X
3	5151-036	Fan Blade					X	X	X	X	X
3	5151-048	Fan Blade	X	X	X	X					
4	S166-014	Fan Venturi					X	X	X	X	X
4	S166-015	Fan Venturi	X	X	X	X					
5	101-280-X	Right Side/Front			X	X					
5	101-284-X	Right Side/Front	X	X							
5	101-297-X	Right Side/Front					X	X	X	X	X
6	127-227	Base			X	X					
6	127-238	Base	X	X							
6	127-247	BASE					X	X	X	X	X
7	5051-066	Condenser Coil				X					
7	5051-068	Condenser Coil			X						
7	5051-071	Condenser Coil	X	X							
7	5051-078	Condenser Coil					X				
7	5051-083	Codenser Coil						X	X	X	X
8	107-150-X	Top			X	X					
8	107-154-X	Top	X	X							
8	107-160-X	Top					X	X	X	X	X
9	121-260-X	Partition	X	X	X	X					
9	121-280-X	Partition					X	X	X	X	X
10	8000-130	Compressor CR38K6-PFV					X				
10	8000-126	Compressor CR42K6-PFV						X			
10	8000-127	Compressor CR42K6-TF5							X		
10	8000-179	Compressor H27A56QCBC								X	
10	8000-180	Compressor H27A56QDBL									X
10	8000-165	Compressor CR32K6-PFV-370				X					
10	8000-166	Compressor CR28K6-PFV-370			X						
10	8000-167	Compressor CR22K6-PFV-370		X							
10	8000-168	Compressor CR16K6-PFV-370	X								
11	5651-114	Base Valve 3/8" x 3/8"		X	X	X	X	X	X	X	X
11	5651-116	Base Valve 3/8" x 1/4"	X								
12	5651-113	Base Valve 3/4" x 3/4"		X	X	X					
12	5651-115	Base Valve 5/8" x 5/8"	X								
12	5651-119	Base Valve 7/8" x 7/8"					X	X	X	X	X
13	165-544-X	Wire Channel	X	X	X	X	X	X	X	X	X
14	101-279-X	Left Side	X	X	X	X					
14	101-298-X	Left Side					X	X	X	X	X
15	117-200	Control Panel	X	X	X	X	X	X	X	X	X
16	133-122-X	Control Panel Cover	X	X	X	X	X	X	X	X	X

Functional and Cabinet Components

Dwg. No.	Part No.	Description	HAC181-A	HAC241-A	HAC301-A	HAC361-A	HAC421-A	HAC481-A	HAC481-B	HAC601-A	HAC601-B
17	141-205-X	Base Valve Support	X	X	X	X	X	X	X	X	X
18	165-543	Channel	2	2	2	2	2	2	2	2	2
19	153-232-X	Service Door	X	X	X	X	X	X	X	X	X
19	553-244-X	Service Door					X	X	X	X	X
20	8401-007	Contactor 1P25A	X	X	X	X	X	X			
20	8401-016	Contactor 1P35A								X	
20	8401-002	Contactor 2P25A							X		X
21	8552-046	Capacitor 25+5/370V	X								
21	8552-047	Capacitor 30+5/370V		X							
21	8552-048	Capacitor 35+5/370V			X						
21	8552-049	Capacitor 35+5/440V				X					
21	8552-051	Capacitor 40+5/440V					X	X			
21	8552-062	Capacitor 60+5/370V								X	
21	8552-002	Capacitor 170V							X		X
22	112-101	Adapter Plate	X	X	X						
22	112-210	Adapter Plate							X		X
23	8551-007	Motor Starting Device								X	
NS	4099-100	Wiring Diagram	X	X	X	X	X	X		X	
NS	4099-200	Wiring Diagram							X		X
NS	5625-052	Restrictor w/.052 Orifice	X								
NS	5625-055	Restrictor w/.055 Orifice		X							
NS	5625-063	Restrictor w/.063 Orifice			X						
NS	5625-069	Restrictor w/.069 Orifice				X					
NS	5625-078	Restrictor w/.078 Orifice					X				
NS	5625-081	Restrictor w/.081 Orifice						X	X		
NS	5625-092	Restrictor w/.092 Orifice								X	X