

REPLACEMENT PARTS MANUAL

SPLIT
AIR CONDITIONER
MODELS 18ECQ4D020, 24ECQ5D020,
30ECQ5D020, 36ECQ5D020

Manual 2110-006

Revision

Date 05-01-91

Supersedes

* GENERAL NOTES *

*Revised and/or additional pages may be issued from time to time.
*A complete and current manual consists of pages dated as shown in the following index.

** INDEX **

<u>Page Description</u>	<u>Page</u>	<u>Date</u>	<u>Supersedes</u>
Functional and Cabinet Components--Exploded View	1	05-01-91	
" " " --Usage List	2	05-01-91	
Functional and Cabinet Components--Exploded View	3	05-01-91	
" " " --Usage List	4	05-01-91	

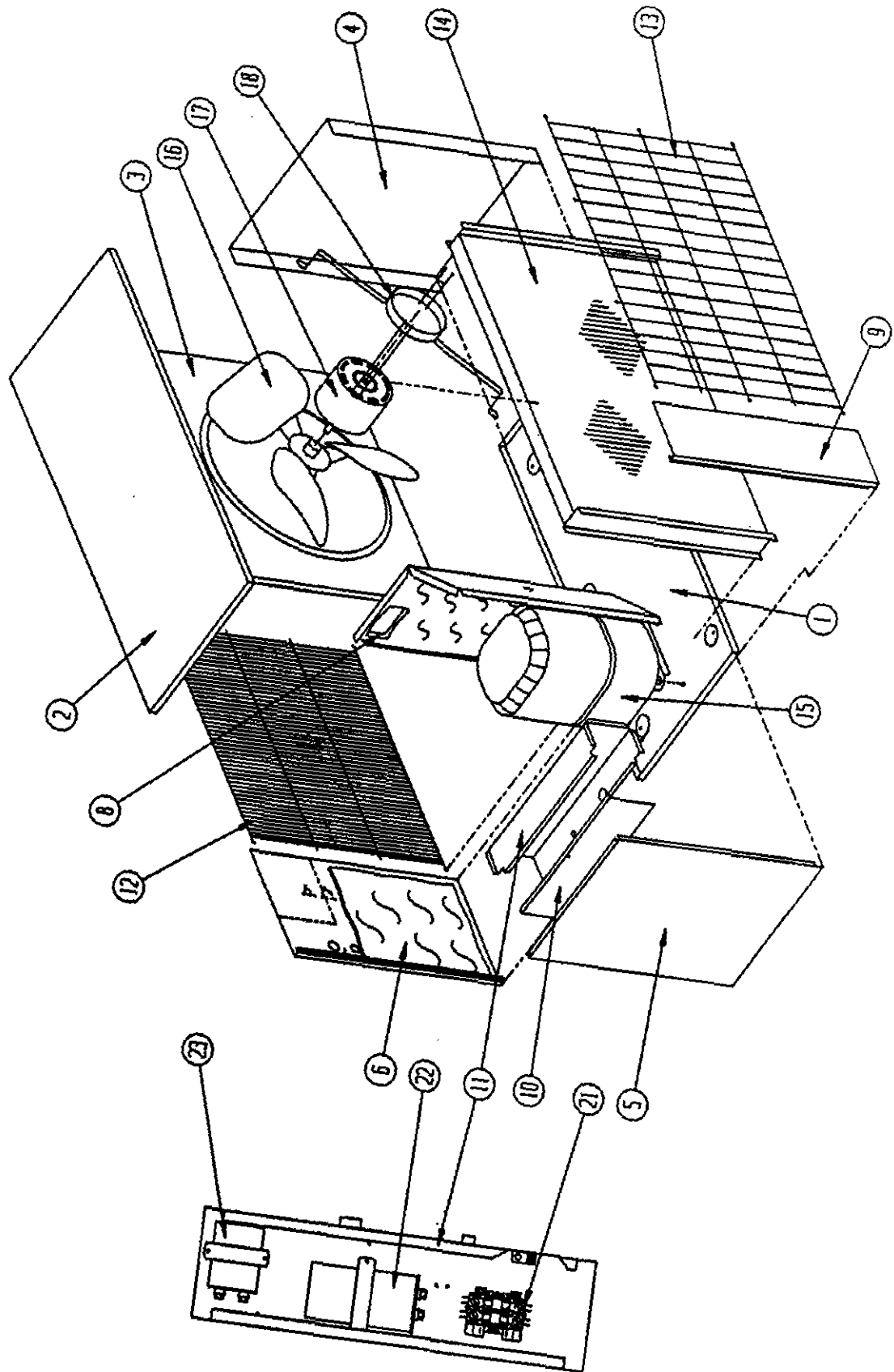
*** IMPORTANT ***

Contact the installing and/or local Bard distributor for all parts requirements. Make sure you have the complete model and serial number available from the unit rating plate.

BARD MANUFACTURING COMPANY

BRYAN, OHIO 43506

FUNCTIONAL AND CABINET COMPONENTS



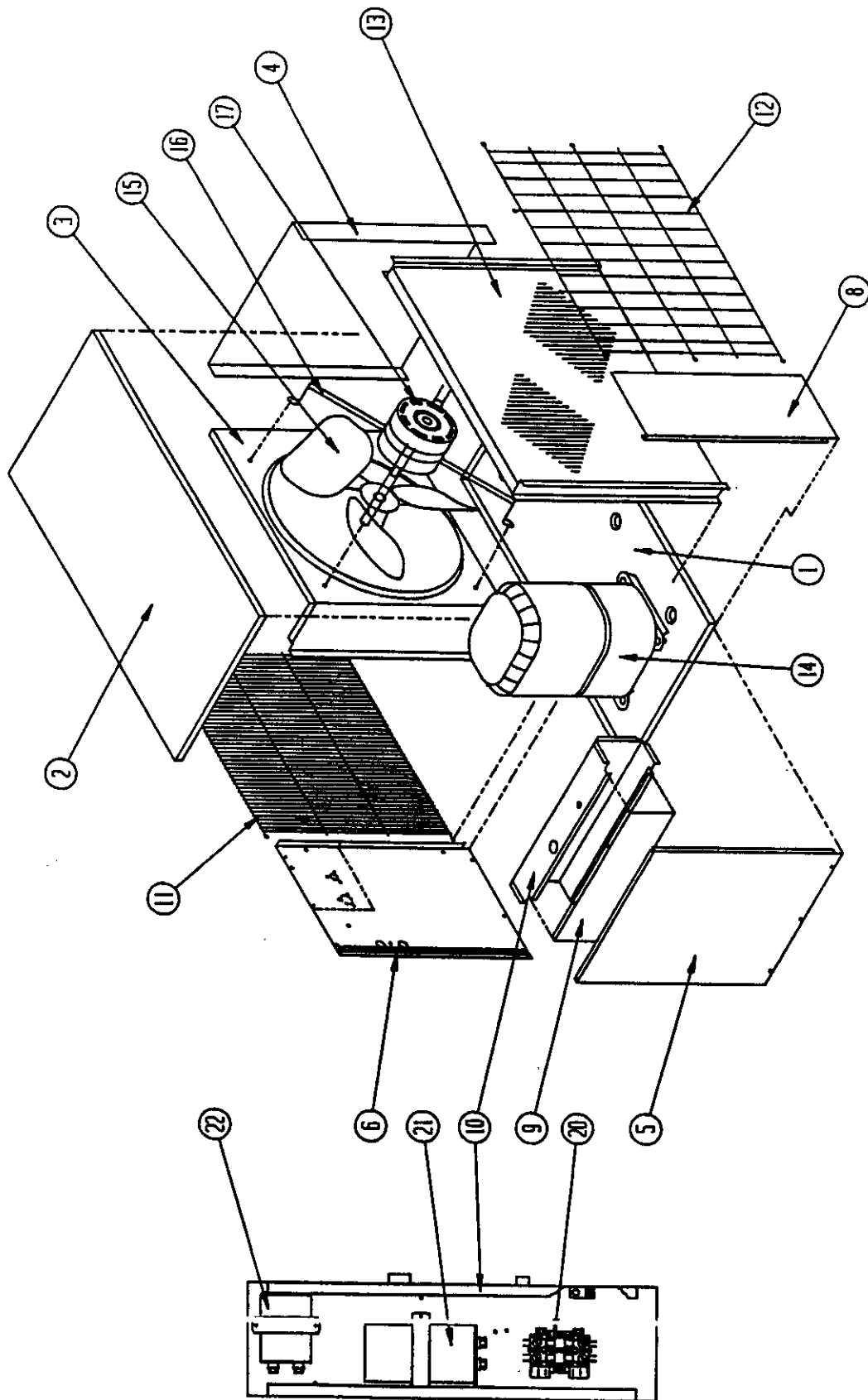
Date: 05-01-91
Supersedes:

FUNCTIONAL AND CABINET COMPONENTS

Dwg. No.	Part No.	Description	1 8 E C Q 4 D O 2 O	2 4 E C Q 5 D O 2 O
1	127-015	Base Assembly	X	X
2	106-015	Top	X	X
3	124-005	Fan Shroud	X	X
4	100-122	Side	X	X
5	152-014	Access Door	X	X
6	148-025	Compressor Corner	X	X
8	148-038	Coil Corner	X	X
9	132-019	Control Panel Cover	X	X
10	117-032	Control Panel	X	X
11	7051-010	Inlet Air Grille	X	X
12	7051-009	Condenser Grille	X	X
13	5051-011	Condenser Coil	X	
13	5051-013	Condenser Coil		X
14	8000-100	Compressor AM5517F	X	
14	8000-111	Compressor AM5524E		X
15	5151-041	Fan Blade	X	X
16	8200-001	Motor Mount--Fan	X	X
17	8102-010	Motor--Fan 1/6 H.P.	X	X
20	8401-007	Contacto--Comp 25A	X	X
21	8552-046	Capacitor 25+5/370V	X	
21	8552-048	Capacitor 35+5/370V		X
	4062-111	Wiring Diagram	X	X

Date: 05-01-91
Supersedes:

FUNCTIONAL AND CABINET COMPONENTS



Date: 05-01-91
Supersedes:

FUNCTIONAL AND CABINET COMPONENTS

Item No.	Part No.	Description	3 0 E C Q 5 D 0 2 0	3 6 E C Q 5 D 0 2 0
1	127-097	Base Assenbly	X	X
2	506-016	Top	X	X
3	124-009	Fan Shroud	X	X
4	100-131	Side	X	X
5	552-091	Service Door	X	X
6	548-046	Compressor Corner	X	X
8	520-068	Compressor Partition	X	X
9	548-045	Coil Corner	X	X
10	132-070	Control Panel Cover	X	X
11	*	Control Panel Assenbly *See Control Panel Drawing		
11	116-032	Control Panel	X	X
12	7051-003	Inlet Air Grille	X	X
13	7051-001	Condenser Grille	X	X
14	5051-034	Condenser Coil	X	X
15	8000-072	Compressor AV144ET		X
15	8000-114	Compressor AW5530E	X	
16	5151-042	Fan Blade	X	X
17	8102-010	Motor--Fan 1/6 H.P.	X	X
18	8200-001	Motor Mount--Fan	X	X
21	8401-003	Contactora--Comp 30A		X
21	8401-007	Contactora--Comp 25A	X	
22	8552-051	Capacitor 40+5/440V		X
22	8552-052	Capacitor 45+5/370V	X	
23	8552-002	Capacitor 5/370V	X	X
	4062-111	Wiring Diagram	X	X

Date: 05-01-91
Supersedes:

