

REPLACEMENT PARTS MANUAL

SPLIT AIR CONDITIONER MODELS 2412UACSA, 3012UACSA, 3612UACSA, 4212UACSA

Manual 2110-005

Revision --

Date 05-01-90

Supersedes

* GENERAL NOTES *

*Revised and/or additional pages may be issued from time to time.
*A complete and current manual consists of pages dated as shown in the following index.

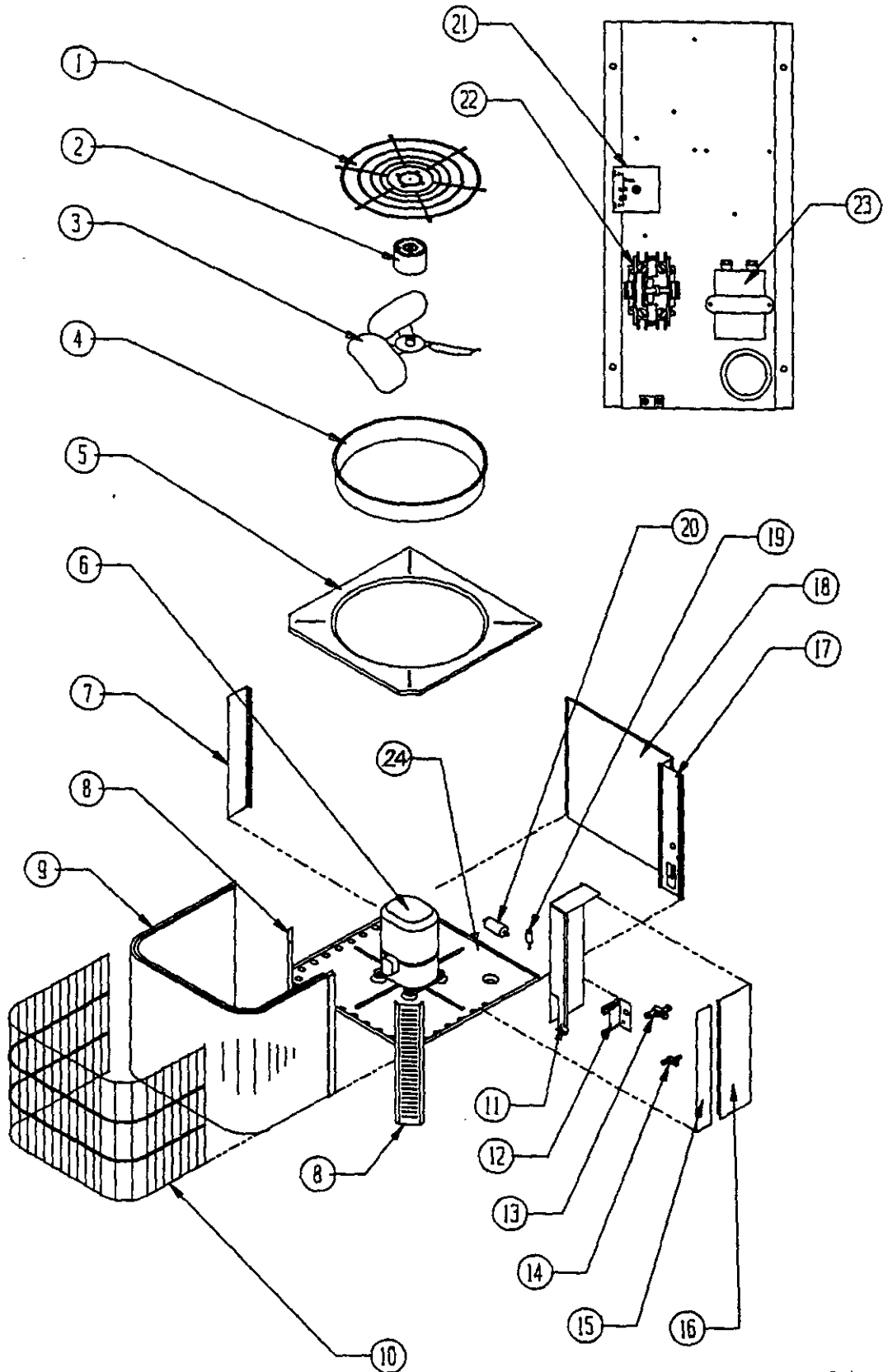
** INDEX **

<u>Page Description</u>	<u>Page</u>	<u>Date</u>	<u>Supersedes</u>
Functional and Cabinet Components--Exploded View	1	05-01-90	
" " " --Usage List	2	05-01-90	
Functional and Cabinet Components--Exploded View	3	05-01-90	
" " " --Usage List	4	05-01-90	

*** IMPORTANT ***

Contact the installing and/or local Bard distributor for all parts requirements. Make sure you have the complete model and serial number available from the unit rating plate.

FUNCTIONAL AND CABINET COMPONENTS



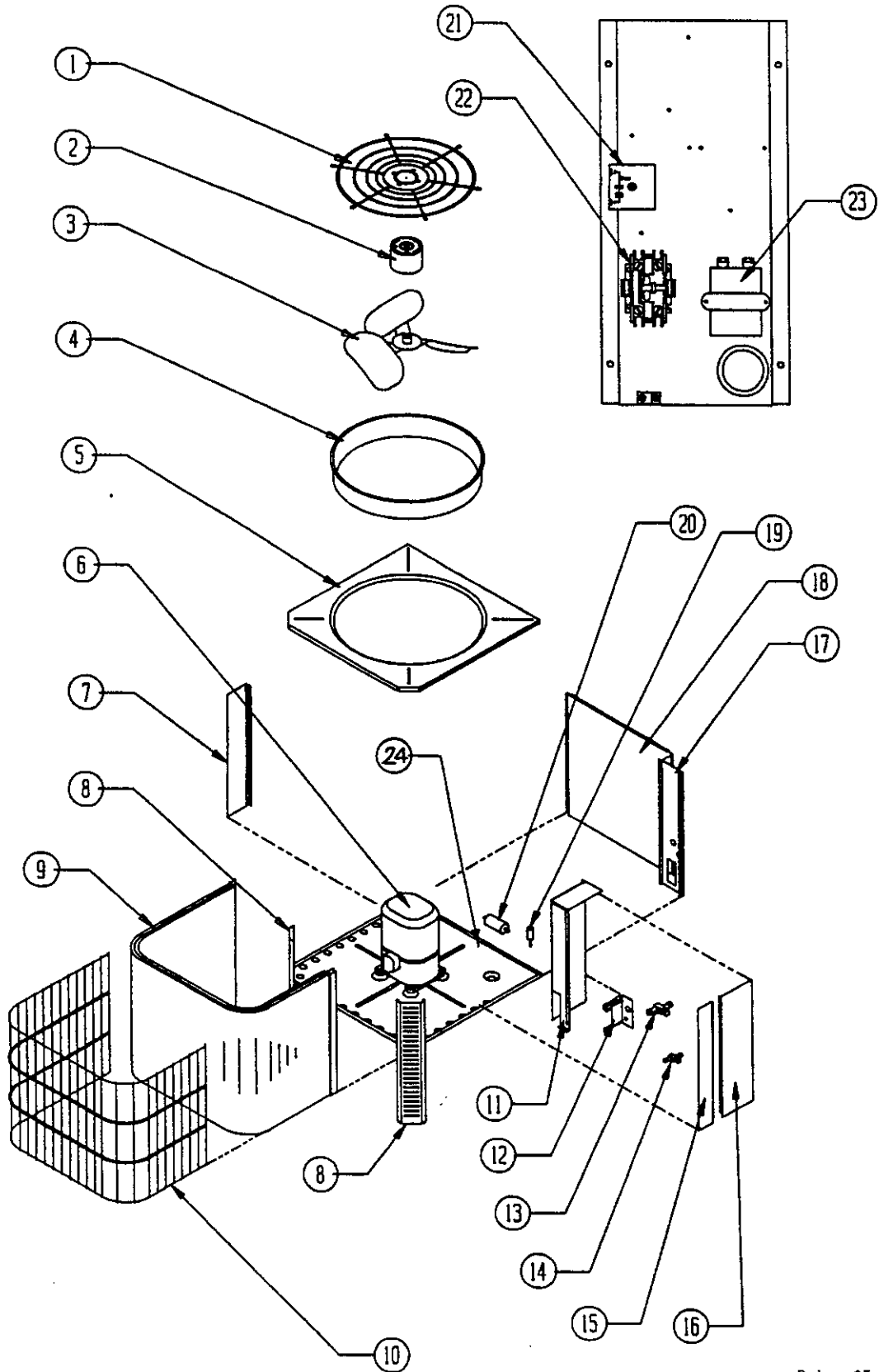
Date: 05-01-90
Supersedes:

FUNCTIONAL AND CABINET COMPONENTS

Dwg. No.	Part No.	Description	2 4 1 2 U A C S A	3 0 1 2 U A C S A	3 6 1 2 U A C S A	4 2 1 2 U A C S A
1	7051-018	Fan & Motor Mount Grille	X	X	X	X
2	8102-010	Motor--Fan	X	X	X	
2	8104-007	Motor--Fan				X
3	5151-036	Fan Blade				X
3	5151-039	Fan Blade	X	X	X	
4	167-011	Fan Venturi	X	X	X	X
5	106-093	Top	X	X	X	X
6	8000-116	Compressor ZR23K1-PFV-230	X			
6	8000-117	Compressor ZR28K1-PFV-230		X		
6	8000-115	Compressor ZR34K1-PFV-230			X	
6	8000-109	Compressor ZR40K1-PFV-230				X
7	148-056	Left Rear Corner	X	X	X	
7	148-059	Left Rear Corner				X
8	148-055	Front Corner	X	X	X	
8	148-058	Front Corner				X
9	600-0017	Condenser Coil 5051-044	X	X		
9	600-0018	Condenser Coil 5051-046			X	
9	600-0016	Condenser Coil 5051-047				X
10	7051-019	Coil Grille	X	X	X	
10	7051-020	Coil Grille				X
11	116-094	Control Panel Wrapper	X	X	X	
11	116-096	Control Panel Wrapper				X
12	140-107	Base Valve Support	X	X	X	X
13	5651-054	Base Valve 7/8"	X	X	X	X
14	5651-051	Base Valve 3/8"	X	X	X	X
15	100-146	Right Side	X	X	X	
15	100-147	Right Side				X

Date: 05-01-90
Supersedes:

FUNCTIONAL AND CABINET COMPONENTS
(CONTINUED)



Date: 05-01-90
Supersedes:

FUNCTIONAL AND CABINET COMPONENTS
(CONTINUED)

Dwg. No.	Part No.	Description	2 4 1 2 U A C S A	3 0 1 2 U A C S A	3 6 1 2 U A C S A	4 2 1 2 U A C S A
16	132-064	Control Panel Cover	X	X	X	
16	132-065	Control Panel Cover				X
17	148-054	Control Panel Corner	X	X	X	
17	148-057	Control Panel Corner				X
18	152-144	Service Door	X	X	X	
18	152-143	Service Door				X
19	8406-016	High Pressure Switch	X	X	X	X
20	5201-012	Drier	X	X	X	X
21	8201-050	Compressor Time Delay	X	X	X	X
22	8401-007	Contactora 1P25A	X	X	X	X
23	8552-047	Capacitor 30+5/370	X			
23	8552-048	Capacitor 35+5/370		X		
23	8552-049	Capacitor 35+5/440			X	X
24	127-113	Base Assembly	X	X	X	X
	4092-110	Wiring Diagram	X	X	X	X
	5625-061	Restrictor w/.061" Orifice	X			
	5625-067	Restrictor w/.067" Orifice		X		
	5625-072	Restrictor w/.072" Orifice			X	
	5625-081	Restrictor w/.081" Orifice				X

Date: 05-01-90
Supersedes: