

REPLACEMENT PARTS MANUAL

SPLIT AIR CONDITIONER

MODELS: 2412UACSA, 3012UACSA, 3612UACSA,
4212UACSA, 4812UACSB, 6012UACSB

Manual 2110-005

Revision E

Date 12-28-95

Supersedes 04-24-93

* GENERAL NOTES *

*Revised and/or additional pages may be issued from time to time.
*A complete and current manual consists of pages dated as shown in the following index.

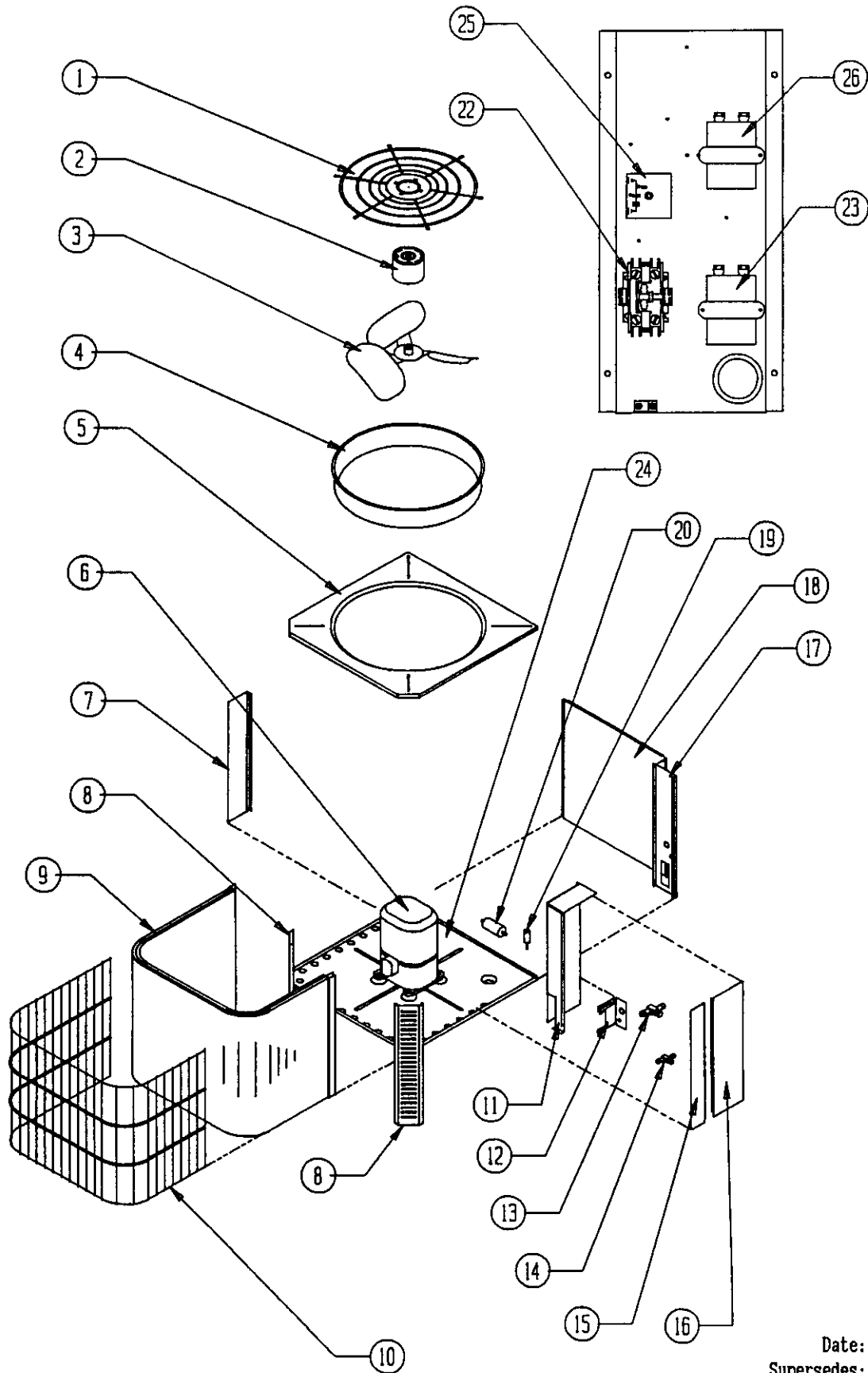
** INDEX **

<u>Page Description</u>	<u>Page</u>	<u>Date</u>	<u>Supersedes</u>
Functional and Cabinet Components--Exploded View	1	09-01-90	05-01-90
" " " --Usage List	2	12-28-95	04-24-93
Functional and Cabinet Components--Exploded View	3	04-24-93	07-03-91
" " " --Usage List	4	12-28-95	04-24-93

*** IMPORTANT ***

Contact the installing and/or local Bard distributor for all parts requirements. Make sure you have the complete model and serial number available from the unit rating plate.

FUNCTIONAL AND CABINET COMPONENTS



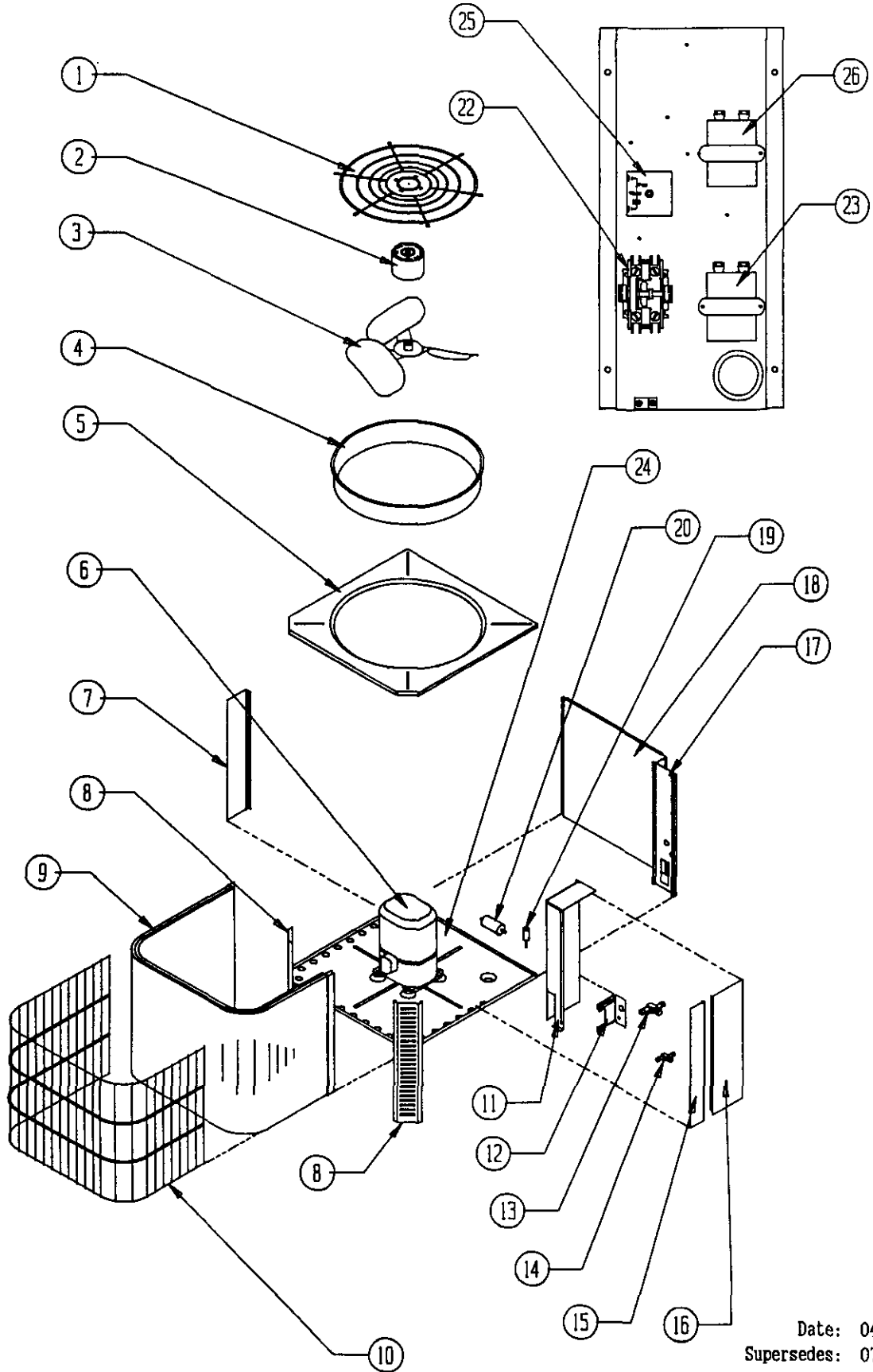
Date: 09-01-90
Supersedes: 05-01-90

FUNCTIONAL AND CABINET COMPONENTS

Dwg. No.	Part No.	Description	2 4 1 2 U A C S A	3 0 1 2 U A C S A	3 6 1 2 U A C S A	4 2 1 2 U A C S A	4 8 1 2 U A C S B	6 0 1 2 U A C S B
1	7051-018	Fan & Motor Mount Grille	X	X	X	X	X	X
2	8102-010	Motor--Fan	X	X	X			
2	8104-010	Motor--Fan				X		
2	8105-028	Motor--Fan					X	X
3	5151-036	Fan Blade				X		
3	5151-037	Fan Blade					X	X
3	5151-039	Fan Blade	X	X	X			
4	5166-014	Fan Venturi	X	X	X	X	X	X
5	106-093	Top	X	X	X	X	X	X
6	8000-109	Compressor ZR40K1-PFV-230				X		
6	8000-116	Compressor ZR23K1-PFV-230	X					
6	8000-117	Compressor ZR28K1-PFV-230		X				
6	8000-115	Compressor ZR34K1-PFV-230			X			
6	8000-149	Compressor ZR46K3-PFV-230					X	
6	8000-150	Compressor ZR57K3-PFV-230						X
7	148-056	Left Rear Corner	X	X	X			
7	148-059	Left Rear Corner				X	X	X
8	148-055	Front Corner	X	X	X			
8	148-058	Front Corner				X	X	X
9	600-0017	Condenser Coil 5051-044	X	X				
9	600-0018	Condenser Coil 5051-046			X			
9	600-0016	Condenser Coil 5051-047				X		
9	600-0030	Condenser Coil 5051-062					X	X
10	7051-019	Coil Grille	X	X	X			
10	7051-020	Coil Grille				X	X	X
11	116-094	Control Panel Wrapper	X	X	X			
11	116-096	Control Panel Wrapper				X	X	X
12	140-194	Base Valve Support	X	X	X	X	X	X
13	5651-095	Base Valve 7/8"	X	X	X	X	X	X
14	5651-051	Base Valve 3/8"	X	X	X	X	X	X
15	100-146	Right Side	X	X	X			
15	100-147	Right Side				X	X	X
	8002-005	Compressor Sound Cover					X	X

Date: 12-28-95
Supersedes: 04-24-93

FUNCTIONAL AND CABINET COMPONENTS
(CONTINUED)



Date: 04-24-93
Supersedes: 07-03-91

FUNCTIONAL AND CABINET COMPONENTS
(CONTINUED)

Dwg. No.	Part No.	Description	2 4 1 2 U A C S A	3 0 1 2 U A C S A	3 6 1 2 U A C S A	4 2 1 2 U A C S A	4 8 1 2 U A C S B	6 0 1 2 U A C S B
16	132-064	Control Panel Cover	X	X	X			
16	132-065	Control Panel Cover				X	X	X
17	148-054	Control Panel Corner	X	X	X			
17	148-057	Control Panel Corner				X	X	X
18	152-144	Service Door	X	X	X			
18	152-143	Service Door				X	X	X
19	8406-06	High Pressure Switch	X	X	X	X	X	X
20	5201-01	Drier	X	X	X	X	X	X
22	8401-007	Contactor 1P25A (See Note)	A	A	A	A		
22	8401-016	Contactor 1P35A					X	X
22	8401-026	Contactor 1P25A with 5 Min Time Delay (See Note)	B	B	B	B		
23	8552-047	Capacitor 30+5/370	X					
23	8552-048	Capacitor 35+5/370		X				
23	8552-049	Capacitor 35+5/440			X	X		
23	8552-050	Capacitor 40+5/370 (see note)					C	C
23	8552-062	Capacitor 60+5/370 (see note)					D	
23	8552-061	Capacitor 80+5/370 (see note)						D
24	127-113	Base Assembly	X	X	X	X	X	X
25	8201-050	5 Min. Time Delay TDR-5B					X	X
26	8201-033	Capacitor 20/370 (see note)					C	
26	8201-035	Capacitor 40/370 (see note)						C
	4092-110	Wiring Diagram	X	X	X	X		
	4092-112	Wiring Diagram					X	X
	5625-061	Restrictor w/.061" Orifice	X					
	5625-067	Restrictor w/.067" Orifice		X				
	5625-072	Restrictor w/.072" Orifice			X			
	5625-081	Restrictor w/.081" Orifice				X		

NOTE A: For units produced before date code L90.
 NOTE B: For units produced with date code L90 and after.
 NOTE C: For units produced before date code A96.
 NOTE D: For units produced with date code A96 and after.

Date: 12-28-95
 Supersedes: 04-24-93