

# REPLACEMENT PARTS MANUAL

SPLIT  
AIR CONDITIONER  
MODELS 2412UACSA, 3012UACSA, 3612UACSA,  
4212UACSA, 4812UACSA, 6012UACSA, 6012UACQA

Manual 2110-005

Revision C

Date 3-22-92

Supersedes 7-03-91

\*\*\*\*\*  
\* GENERAL NOTES \*  
\*\*\*\*\*

\*Revised and/or additional pages may be issued from time to time.  
\*A complete and current manual consists of pages dated as shown in the following index.

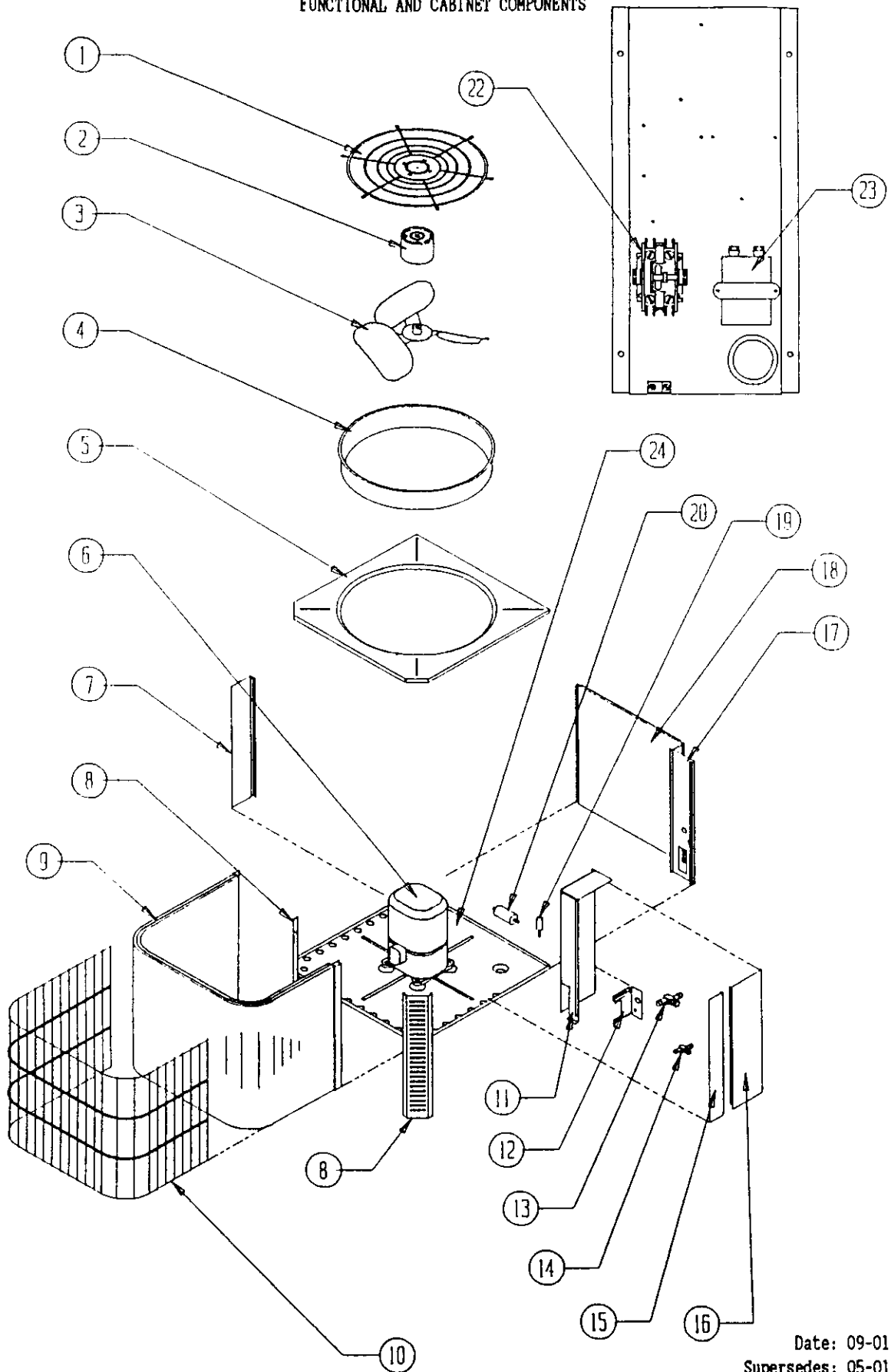
\*\*\*\*\*  
\*\* INDEX \*\*  
\*\*\*\*\*

<u>Page Description</u>	<u>Page</u>	<u>Date</u>	<u>Supersedes</u>
Functional and Cabinet Components--Exploded View	1	09-01-90	05-01-90
" " " --Usage List	2	03-22-92	07-03-91
Functional and Cabinet Components--Exploded View	3	07-03-91	09-01-90
" " " --Usage List	4	03-22-92	07-03-91

\*\*\*\*\*  
\*\*\* IMPORTANT \*\*\*  
\*\*\*\*\*

Contact the installing and/or local Bard distributor for all parts requirements. Make sure you have the complete model and serial number available from the unit rating plate.

FUNCTIONAL AND CABINET COMPONENTS



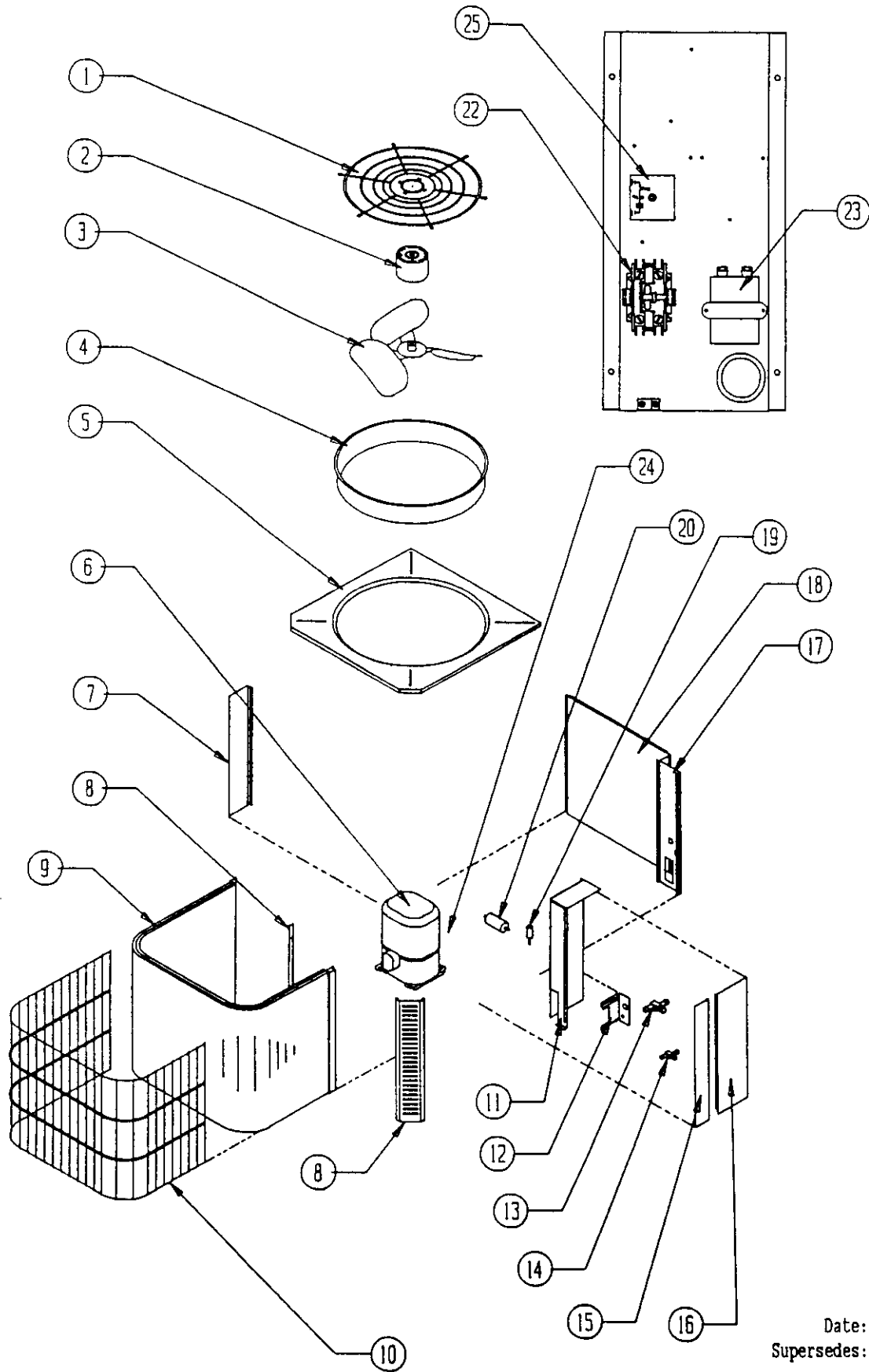
Date: 09-01-90  
Supersedes: 05-01-90

FUNCTIONAL AND CABINET COMPONENTS

Dwg. No.	Part No.	Description	2	3	3	4	4	6	6
			4	0	6	2	8	0	0
			1	1	1	1	1	1	1
			2	2	2	2	2	2	2
			U	U	U	U	U	U	U
			A	A	A	A	A	A	A
			C	C	C	C	C	C	C
			S	S	S	S	S	S	Q
			A	A	A	A	A	A	A
1	7051-018	Fan & Motor Mount Grille	X	X	X	X	X	X	X
2	8102-010	Motor--Fan	X	X	X				
2	8104-007	Motor--Fan				X			
2	8105-028	Motor--Fan					X	X	X
3	5151-036	Fan Blade				X			
3	5151-037	Fan Blade					X	X	X
3	5151-039	Fan Blade	X	X	X				
4	167-011	Fan Venturi	X	X	X	X	X	X	X
5	106-093	Top	X	X	X	X	X	X	X
6	8000-109	Compressor ZR40K1-PFV-230				X			
6	8000-116	Compressor ZR23K1-PFV-230	X						
6	8000-117	Compressor ZR28K1-PFV-230		X					
6	8000-115	Compressor ZR34K1-PFV-230			X				
6	8000-119	Compressor ZR49K2-PFV-230					X		
6	8000-121	Compressor ZR61K2-PFV-230						X	X
7	148-056	Left Rear Corner	X	X	X				
7	148-059	Left Rear Corner				X	X	X	X
8	148-055	Front Corner	X	X	X				
8	148-058	Front Corner				X	X	X	X
9	600-0017	Condenser Coil 5051-044	X	X					
9	600-0018	Condenser Coil 5051-046			X				
9	600-0016	Condenser Coil 5051-047				X			
9	600-0030	Condenser Coil 5051-062					X	X	X
10	7051-019	Coil Grille	X	X	X				
10	7051-020	Coil Grille				X	X	X	X
11	116-094	Control Panel Wrapper	X	X	X				
11	116-096	Control Panel Wrapper				X	X	X	X
12	140-106	Quick Connect Support							X
12	140-107	Base Valve Support	X	X	X	X	X	X	
13	5651-054	Base Valve 7/8"	X	X	X	X	X	X	
14	5651-051	Base Valve 3/8"	X	X	X	X	X	X	
15	100-146	Right Side	X	X	X				
15	100-147	Right Side				X	X	X	X
	8002-005	Compressor Sound Cover					X	X	X

Date: 03-22-92  
Supersedes: 07-03-91

FUNCTIONAL AND CABINET COMPONENTS  
(CONTINUED)



Date: 07-03-91  
Supersedes: 09-01-90

FUNCTIONAL AND CABINET COMPONENTS  
(CONTINUED)

Dwg. No.	Part No.	Description	2 4 1 2 U A C S A	3 0 1 2 U A C S A	3 6 1 2 U A C S A	4 2 1 2 U A C S A	4 8 1 2 U A C S A	6 0 1 2 U A C S A	6 0 1 2 U A C Q A
16	132-064	Control Panel Cover	x	x	x				
16	132-065	Control Panel Cover				x	x	x	x
17	148-054	Control Panel Corner	x	x	x				
17	148-057	Control Panel Corner				x	x	x	x
18	152-144	Service Door	x	x	x				
18	152-143	Service Door				x	x	x	x
19	8406-016	High Pressure Switch	x	x	x	x	x	x	x
20	5201-012	Drier	x	x	x	x	x	x	x
22	8401-007	Contactor 1P25A (See Note)	A	A	A	A			
22	8401-016	Contactor 1P35A					x	x	x
22	8401-026	Contactor 1P25A with 5 Min Time Delay (See Note)	B	B	B	B			
23	8552-047	Capacitor 30+5/370	x						
23	8552-048	Capacitor 35+5/370		x					
23	8552-049	Capacitor 35+5/440			x	x			
23	8552-053	Capacitor 45+5/440					x		
23	8552-054	Capacitor 55+5/440						x	x
24	127-113	Base Assembly	x	x	x	x	x	x	x
25	8201-050	5 Min. Time Delay TDR-5B					x	x	x
	4092-110	Wiring Diagram	x	x	x	x			
	4092-111	Wiring Diagram					x	x	x
	5625-061	Restrictor w/.061" Orifice	x						
	5625-067	Restrictor w/.067" Orifice		x					
	5625-072	Restrictor w/.072" Orifice			x				
	5625-081	Restrictor w/.081" Orifice				x			
	5625-085	Restrictor w/.085" Orifice					x		
	5625-092	Restrictor w/.092" Orifice						x	x

NOTE ~~A~~ <sup>B</sup>: For units produced before date code L90.

NOTE ~~B~~ <sup>A</sup>: For units produced with date code L90 and after.

Date: 03-22-92  
Supersedes: 07-03-91