
Replacement Parts Manual

Split Air Conditioner

Models:

18UACSA	18UACSB
24UACSB	24UACSC
30UACSA	
36UACSA	36UACSA-B
42UACSB	42UACSB-B
48UACSB	48UACSB-B
60UACSB	60UACSB-B

General Notes

- Revised and/or additional pages may be issued from time to time.
- A complete and current manual consists of pages shown in the following contents section.

Important

- Contact the installing and/or local Bard distributor for all parts requirements. Make sure you have the complete model and serial number available from the unit rating plates.

Contents

Description	Page
Functional & Cabinet Components	
♦ Exploded View	1
♦ Usage List	2
Functional & Cabinet Components	
♦ Exploded View	3
♦ Usage List	4
♦ Usage List	5

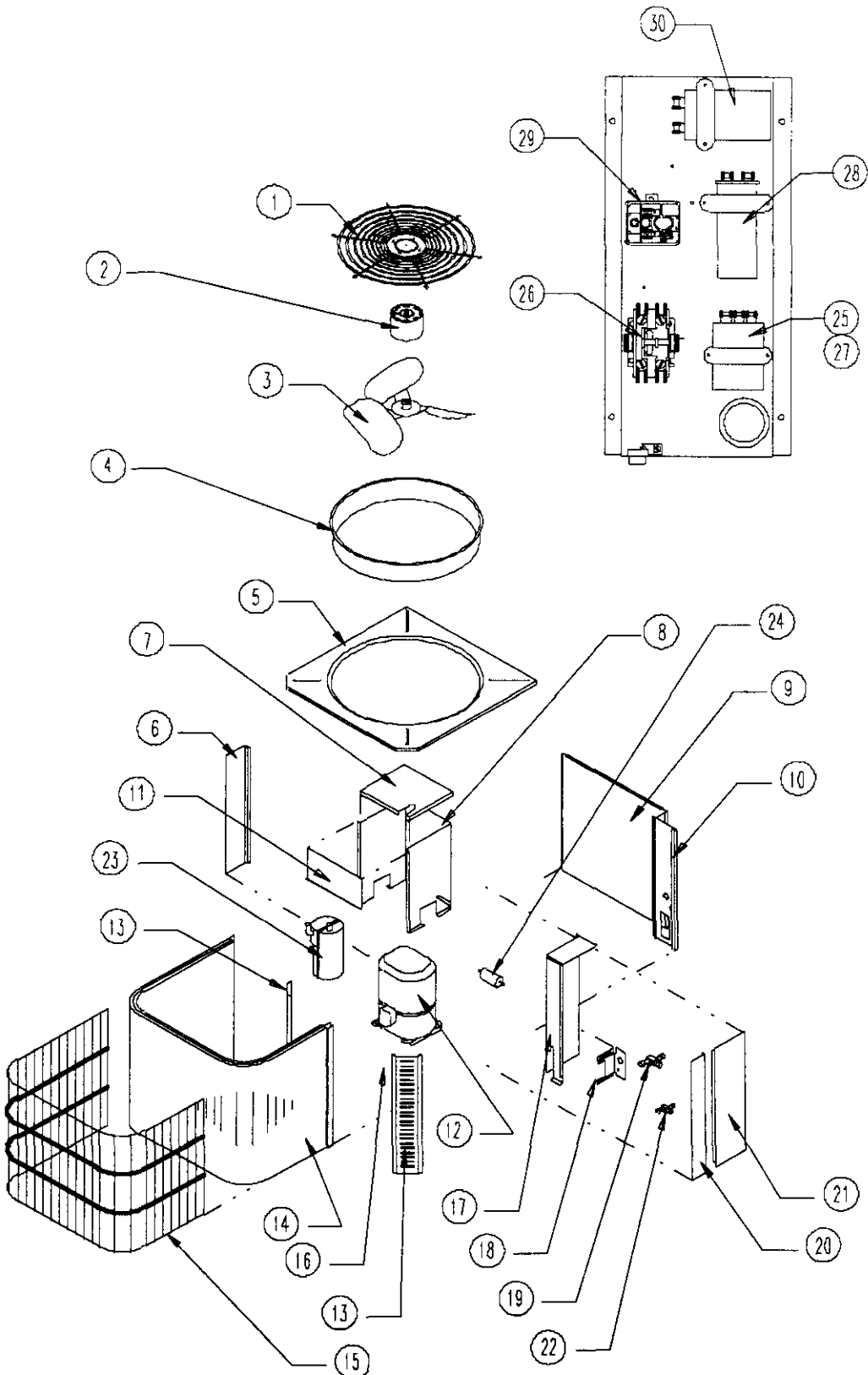


BARD MANUFACTURING COMPANY
Bryan, Ohio 43506

Since 1914...Moving ahead, just as planned.

Manual: 2110-004G
File: Volume 1 Tab 4
Date: 02-24-98

FUNCTIONAL AND CABINET COMPONENTS



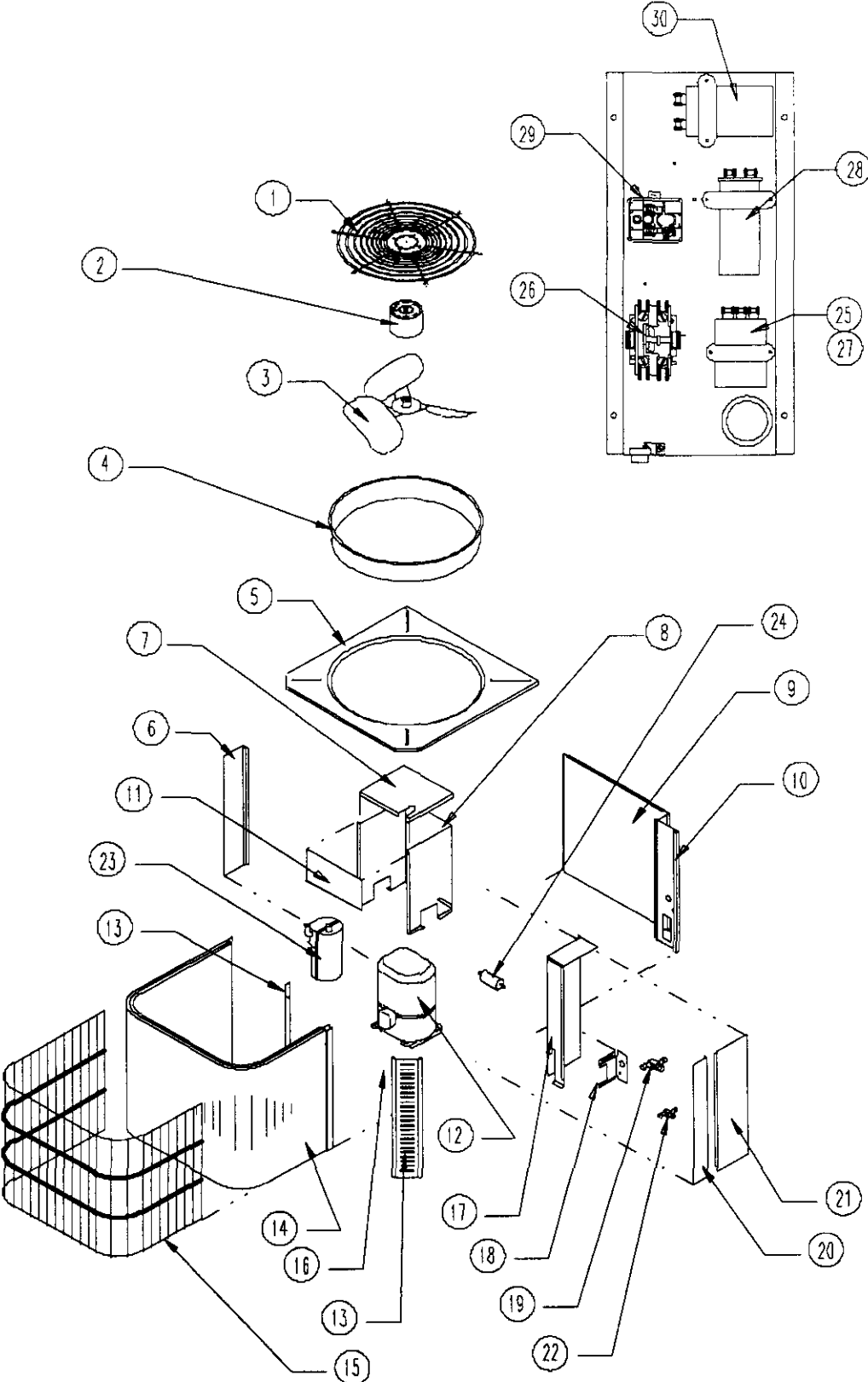
SEXP-040

FUNCTIONAL AND CABINET COMPONENTS

Drawing			18UACSA	18UACSB	24UACSB	24UACSC	30UACSA	36UACSA	36UACSA-B	42UACSB	42UACSB-B	48UACSB	48UACSB-B	60UACSB	60UACSB-B
No.	Part Number	Description													
1	7051-018	Fan & Motor Mount Grille	X	X	X	X	X	X	X	X	X	X	X	X	X
2	8102-010	Motor - Fan	X	X	X	X	X	X	X						
2	8104-007	Motor - Fan								X	X	X	X	X	X
3	5151-036	Fan Blade								X	X	X	X	X	X
3	5151-039	Fan Blade	X	X	X	X	X	X	X						
4	167-011	Fan Venturi	X	X	X	X	X	X	X	X	X	X	X	X	X
5	106-093	Top	X	X	X	X	X	X	X	X	X	X	X	X	X
6	148-056	Left Rear Corner	X	X	X	X	X	X	X	X	X	X	X	X	X
9	152-144	Service Door	X	X	X	X	X	X	X	X	X	X	X	X	X
10	148-054	Control Panel Corner	X	X	X	X	X	X	X	X	X	X	X	X	X
12	8000-052	Compressor CRG3-0250-PFV						X							
12	8000-053	Compressor CRG3-0250-TF5							X						
12	8000-130	Compressor CR38K6-PFV-270								X					
12	8000-131	Compressor CR38K6-TF5-270									X				
12	8000-126	Compressor CR42K6-PFV-270										X			
12	8000-127	Compressor CR42K6-TF5-270											X		
12	8000-100	Compressor AW5517F	X												
12	8000-139	Compressor CR16K6-PFV		X											
12	8000-110	Compressor AW5519F			X										
12	8000-140	Compressor CR22K6-PFV				X									
12	8000-095	Compressor 703087-06-0813					X								
12	8000-151	Compressor H25A54QCBC												X	
12	8000-152	Compressor H25A54QDBL													X
NS	8002-007	Compressor Sound Cover								X	X	X	X		
NS	8002-008	Sound Cover												X	X
NS	8002-009	Sound Base Pad												X	X
13	148-055	Front Cover	X	X	X	X	X	X	X	X	X	X	X	X	X
14	600-0015	Condenser Coil 5051-043					X								
14	600-0017	Condenser Coil 5051-044						X	X						
14	600-0012	Condenser Coil 5051-045								X	X				
14	600-0018	Condenser Coil 5051-046										X	X	X	X
14	600-0019	Condenser Coil 5051-058	X	X	X	X									
15	7051-019	Coil Grille	X	X	X	X	X	X	X	X	X	X	X	X	X
16	127-113	Base Assembly	X	X	X	X	X	X	X	X	X	X	X	X	X

Continued on Page 4

FUNCTIONAL AND CABINET COMPONENTS



SEXP-040

FUNCTIONAL AND CABINET COMPONENTS

Drawing No.	Part Number	Description	18UACSA	18UACSB	24UACSB	24UACSC	30UACSA	36UACSA	36UACSA-B	42UACSB	42UACSB-B	48UACSB	48UACSB-B	60UACSB	60UACSB-B
Continued from Page 2															
17	116-094	Control Panel Wrapper	X	X	X	X	X	X	X	X	X	X	X	X	X
18	140-194	Base Valve Support								X	X	X	X	X	X
18	140-109	Base Valve Support	X	X	X	X	X	X	X						
19	5651-053	Base Valve 3/4"	X	X	X	X	X	X	X						
19	5651-095	Base Valve 7/8"								X	X	X	X	X	X
20	100-146	Right Side	X	X	X	X	X	X	X	X	X	X	X	X	X
21	132-064	Control Panel Cover	X	X	X	X	X	X	X	X	X	X	X	X	X
22	5651-051	Base Valve 3/8"	X	X	X	X	X	X	X	X	X	X	X	X	X
24	5201-011	Drier	X	X	X	X	X	X	X						
24	5201-012	Drier								X	X	X	X	X	X
25	8552-027	Capacitor 25/370V (See Note)			A										
25	8552-032	Capacitor 35/370V (See Note)					A								
25	8552-035	Capacitor 40/370V (See Note)						A							
25	8552-046	Capacitor 25+5/370V (See Note)	X	X	B										
25	8552-047	Capacitor 30+5/370V				X									
25	8552-048	Capacitor 35+5/440V (See Note)					B								
25	8552-050	Capacitor 40+5/370V (See Note)							B					C	
25	8552-051	Capacitor 40+5/440V								X		X			
25	8552-062	Capacitor 60+5/370V (See Note)												D	
26	8401-002	Contactors							X		X		X		X
26	8401-007	Contactors 1P25A	X	X	X	X	X	X		X		X			
26	8401-016	Contactors 1P35A												X	
27	8552-002	Capacitor 5/370V (See Note)			A		A	A	X		X		X		X
28	8552-033	Capacitor 20/370V (See Note)												C	
29	8201-070	Start Relay												X	
30	8551-006	Capacitor 270-324/330V												X	
NS	4080-110	Wiring Diagram (See Note)			A		A	A							
NS	4080-111	Wiring Diagram (See Note)	X	X	B	X	B	B		X		X			
NS	4080-112	Wiring Diagram												X	
NS	4080-210	Wiring Diagram							X		X		X		X
NS	5625-055	Restrictor w/.055" Orifice	X	X											
NS	5625-059	Restrictor w/.059" Orifice			X	X									
NS	5625-063	Restrictor w/.063" Orifice					X								
NS	5325-069	Restrictor w/.069" Orifice						X	X						
NS	5325-078	Restrictor w/.078" Orifice							X	X					
NS	5325-081	Restrictor w/.081" Orifice									X	X			

NOTE A: For units produced before date code K90

NOTE B: For units produced with date code K90 and after

NOTE C: For units produced before date code A96

NOTE D: For units produced with date code A96 and after