

REPLACEMENT PARTS MANUAL

SPLIT AIR CONDITIONER

MODELS: 18UACQA, 18UACSA, 24UACQB, 24UACSB,
30UACQA, 30UACSA, 36UACQA, 36UACSA,
42UACQB, 42UACSB, 48UACQB, 48UACSB,
60UACQB, 60UACSB

Manual 2110-004

Revision F

Date 11-28-95

Supersedes 04-24-93

* GENERAL NOTES *

*Revised and/or additional pages may be issued from time to time.
*A complete and current manual consists of pages dated as shown in the following index.

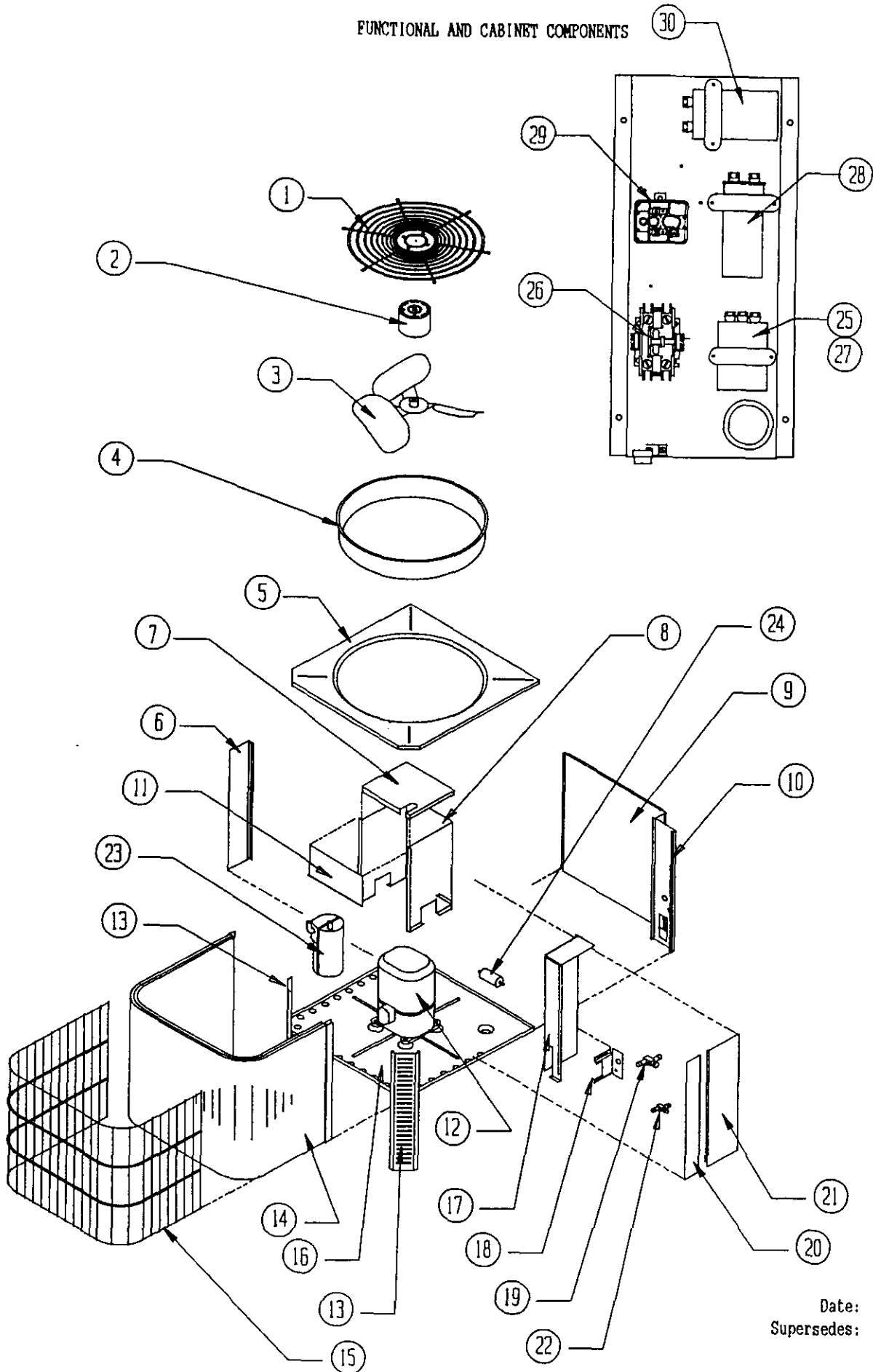
** INDEX **

<u>Page Description</u>	<u>Page</u>	<u>Date</u>	<u>Supersedes</u>
Functional and Cabinet Components--Exploded View	1	04-24-93	08-01-90
" " " --Usage List	2	04-24-93	01-09-92
Functional and Cabinet Components--Exploded View	3	04-24-93	08-01-90
" " " --Usage List	4	11-28-95	04-24-93

*** IMPORTANT ***

Contact the installing and/or local Bard distributor for all parts requirements. Make sure you have the complete model and serial number available from the unit rating plate.

FUNCTIONAL AND CABINET COMPONENTS



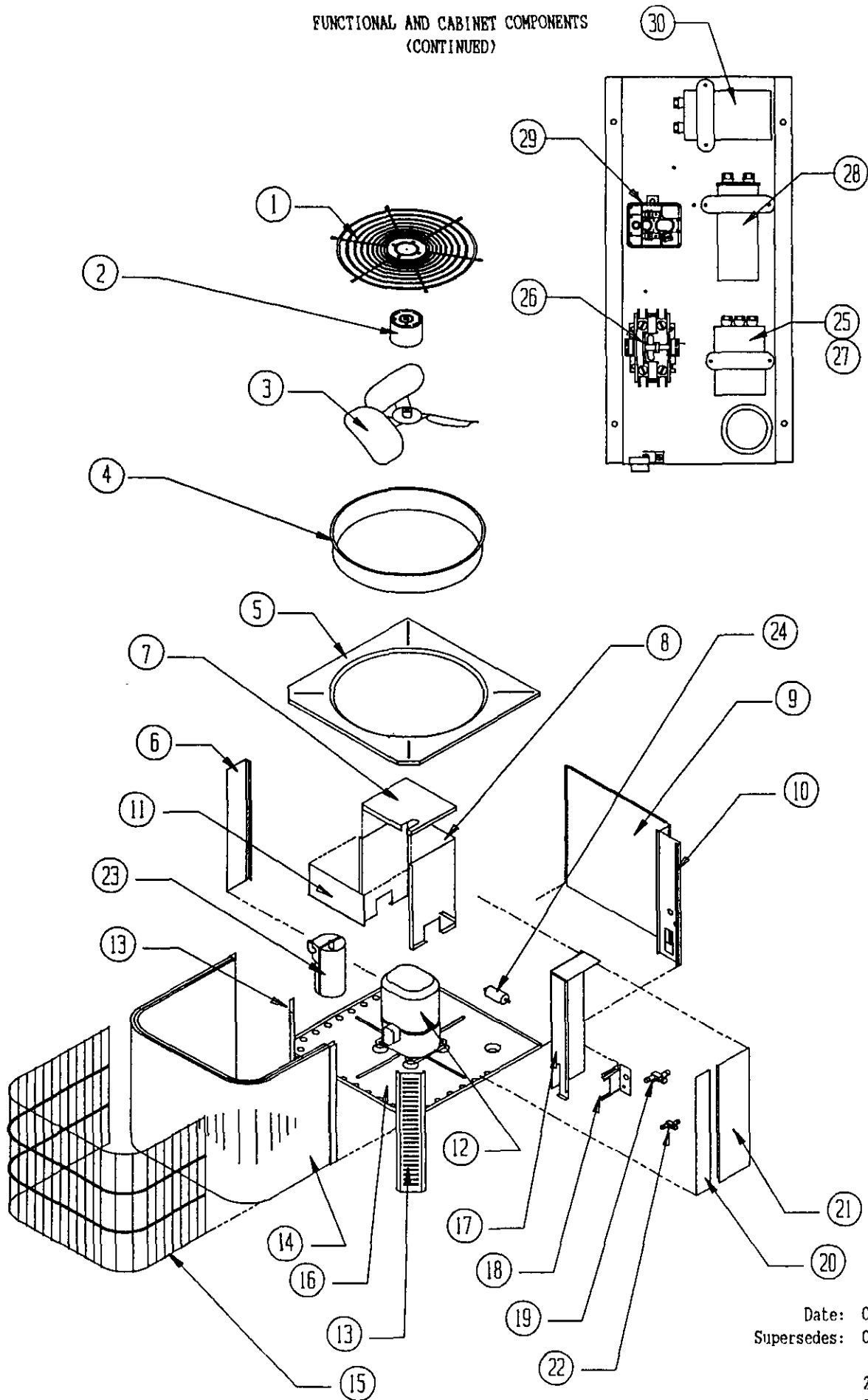
Date: 04-24-93
Supersedes: 08-01-90

FUNCTIONAL AND CABINET COMPONENTS

Dwg. No.	Part No.	Description	1	1	2	2	3	3	3	3	3	4	4	4	4	4	6	6	6
			8	8	4	4	0	0	6	6	6	2	2	2	8	8	0	0	0
			U	U	U	U	U	U	U	U	U	U	U	U	U	U	U	U	U
			A	A	A	A	A	A	A	A	A	A	A	A	A	A	A	A	A
			C	C	C	C	C	C	C	C	C	C	C	C	C	C	C	C	C
			Q	S	Q	S	Q	S	Q	S	Q	S	S	B	B	B	Q	S	S
			A	A	B	B	A	A	A	A	A	B	B	B	B	B	B	B	B
1	7051-018	Fan & Motor Mount Grille	x	x	x	x	x	x	x	x	x	x	x	x	x	x	x	x	x
2	8102-010	Motor--Fan	x	x	x	x	x	x	x	x									
2	8104-007	Motor--Fan										x	x	x	x	x	x	x	x
3	5151-036	Fan Blade										x	x	x	x	x	x	x	x
3	5151-039	Fan Blade	x	x	x	x	x	x	x	x									
4	167-011	Fan Venturi	x	x	x	x	x	x	x	x	x	x	x	x	x	x	x	x	x
5	106-093	Top	x	x	x	x	x	x	x	x	x	x	x	x	x	x	x	x	x
6	148-056	Left Rear Corner	x	x	x	x	x	x	x	x	x	x	x	x	x	x	x	x	x
9	152-144	Service Door	x	x	x	x	x	x	x	x	x	x	x	x	x	x	x	x	x
10	148-054	Control Panel Corner	x	x	x	x	x	x	x	x	x	x	x	x	x	x	x	x	x
12	8000-052	Compressor CRG3-0250-PFV							x	x									
12	8000-053	Compressor CRG3-0250-TF5									x								
12	8000-130	Compressor CR38K6-PFV-270										x	x						
12	8000-131	Compressor CR38K6-TF5-270												x					
12	8000-126	Compressor CR42K6-PFV-270													x	x			
12	8000-127	Compressor CR42K6-TF5-270															x		
12	8000-100	Compressor AW5517F	x	x															
12	8000-110	Compressor AW5519F			x	x													
12	8000-095	Compressor 703087-06-0813					x	x											
12	8000-151	Compressor H25A54QCBC															x	x	
12	8000-152	Compressor H25A54QDBL																	x
	8002-007	Compressor Sound Cover										x	x	x	x	x			
	8002-008	Sound Cover															x	x	x
	8002-009	Sound Base Pad															x	x	x
13	148-055	Front Corner	x	x	x	x	x	x	x	x	x	x	x	x	x	x	x	x	x
14	600-0015	Condenser Coil 5051-043					x	x											
14	600-0017	Condenser Coil 5051-044							x	x	x								
14	600-0012	Condenser Coil 5051-045										x	x	x					
14	600-0018	Condenser Coil 5051-046													x	x	x	x	x
14	600-0019	Condenser Coil 5051-058	x	x	x	x													
15	7051-019	Coil Grille	x	x	x	x	x	x	x	x	x	x	x	x	x	x	x	x	x
16	127-113	Base Assembly	x	x	x	x	x	x	x	x	x	x	x	x	x	x	x	x	x

Date: 04-24-93
Supersedes: 08-01-90

FUNCTIONAL AND CABINET COMPONENTS
(CONTINUED)



Date: 04-24-93
Supersedes: 08-01-90

FUNCTIONAL AND CABINET COMPONENTS
(CONTINUED)

Dwg. No.	Part No.	Description	1	1	2	2	3	3	3	3	3	4	4	4	4	4	4	6	6	6
			8	8	4	4	0	0	6	6	6	2	2	2	8	8	8	0	0	0
			U	U	U	U	U	U	U	U	U	U	U	U	U	U	U	U	U	U
			A	A	A	A	A	A	A	A	A	A	A	A	A	A	A	A	A	A
			C	C	C	C	C	C	C	C	C	C	C	C	C	C	C	C	C	C
			Q	S	Q	S	Q	S	Q	S	S	Q	S	Q	S	S	Q	S	S	S
			A	A	B	B	A	A	A	A	A	B	B	B	B	B	B	B	B	B
17	116-094	Control Panel Wrapper	x	x	x	x	x	x	x	x	x	x	x	x	x	x	x	x	x	x
18	140-105	Quick Connect Support	x		x		x		x											
18	140-106	Quick Connect Support									x							x		
18	140-194	Base Valve Support										x	x						x	x
18	140-109	Base Valve Support						x		x		x								
19	5651-053	Base Valve 3/4"		x		x		x		x										
19	5651-095	Base Valve 7/8"										x	x				x	x		x
20	100-146	Right Side	x	x	x	x	x	x	x	x	x	x	x	x	x	x	x	x	x	x
21	132-064	Control Panel Cover	x	x	x	x	x	x	x	x	x	x	x	x	x	x	x	x	x	x
22	5651-051	Base Valve 3/8"		x		x		x		x		x	x				x	x		x
24	5201-011	Drier	x	x	x	x	x	x	x	x										
24	5201-012	Drier										x	x	x	x	x	x	x	x	x
25	8552-027	Capacitor 25/370V (See Note)			A	A														
25	8552-032	Capacitor 35/370V (See Note)					A	A												
25	8552-035	Capacitor 40/370V (See Note)							A	A										
25	8552-046	Capacitor 25+5/370V (See Note)	x	x	B	B														
25	8552-048	Capacitor 35+5/440V (See Note)					B	B												
25	8552-050	Capacitor 40+5/370V (See Note)							B	B									C	C
25	8552-051	Capacitor 40+5/440V										x	x							
25	8552-062	Capacitor 60+5/370V (See Note)																	D	D
26	8401-002	Contactora									x									x
26	8401-007	Contactora 1P25A	x	x	x	x	x	x	x			x	x							
26	8401-016	Contactora 1P35A																	x	x
27	8552-002	Capacitor 5/370V (See Note)			A	A	A	A	A	A	x									x
28	8552-033	Capacitor 20/370V (See Note)																	C	C
29	8201-070	Start Relay																	x	x
30	8551-006	Capacitor 270-324/330V																	x	x
	4080-110	Wiring Diagram (See Note)			A	A	A	A	A	A										
	4080-111	Wiring Diagram (See Note)	x	x	B	B	B	B	B	B		x	x							
	4080-112	Wiring Diagram																	x	x
	4080-210	Wiring Diagram									x									x
	5625-055	Restrictor w/.055" Orifice	x	x																
	5625-059	Restrictor w/.059" Orifice			x	x														
	5625-063	Restrictor w/.063" Orifice					x	x												
	5625-069	Restrictor w/.069" Orifice							x	x										
	5625-078	Restrictor w/.078" Orifice										x	x							
	5625-081	Restrictor w/.081" Orifice																		

NOTE A: For units produced before date code K90.
 NOTE B: For units produced with date code K90 and after.
 NOTE C: For units produced before date code A96.
 NOTE D: For units produced with date code A96 and after.

Date: 11-28-95
 Supersedes: 04-24-93