

# REPLACEMENT PARTS MANUAL

## SPLIT AIR CONDITIONER MODELS 24UACQA, 24UACSA, 30UACQA, 30UACSA, 36UACQA, 36UACSA, 42UACQA, 42UACSA, 48UACQA, 48UACSA, 60UACQA, 60UACSA

Manual 2110-004

Revision D

Date 1-09-92

Supersedes 8-01-90

\*\*\*\*\*  
\* GENERAL NOTES \*  
\*\*\*\*\*

\*Revised and/or additional pages may be issued from time to time.  
\*A complete and current manual consists of pages dated as shown in the following index.

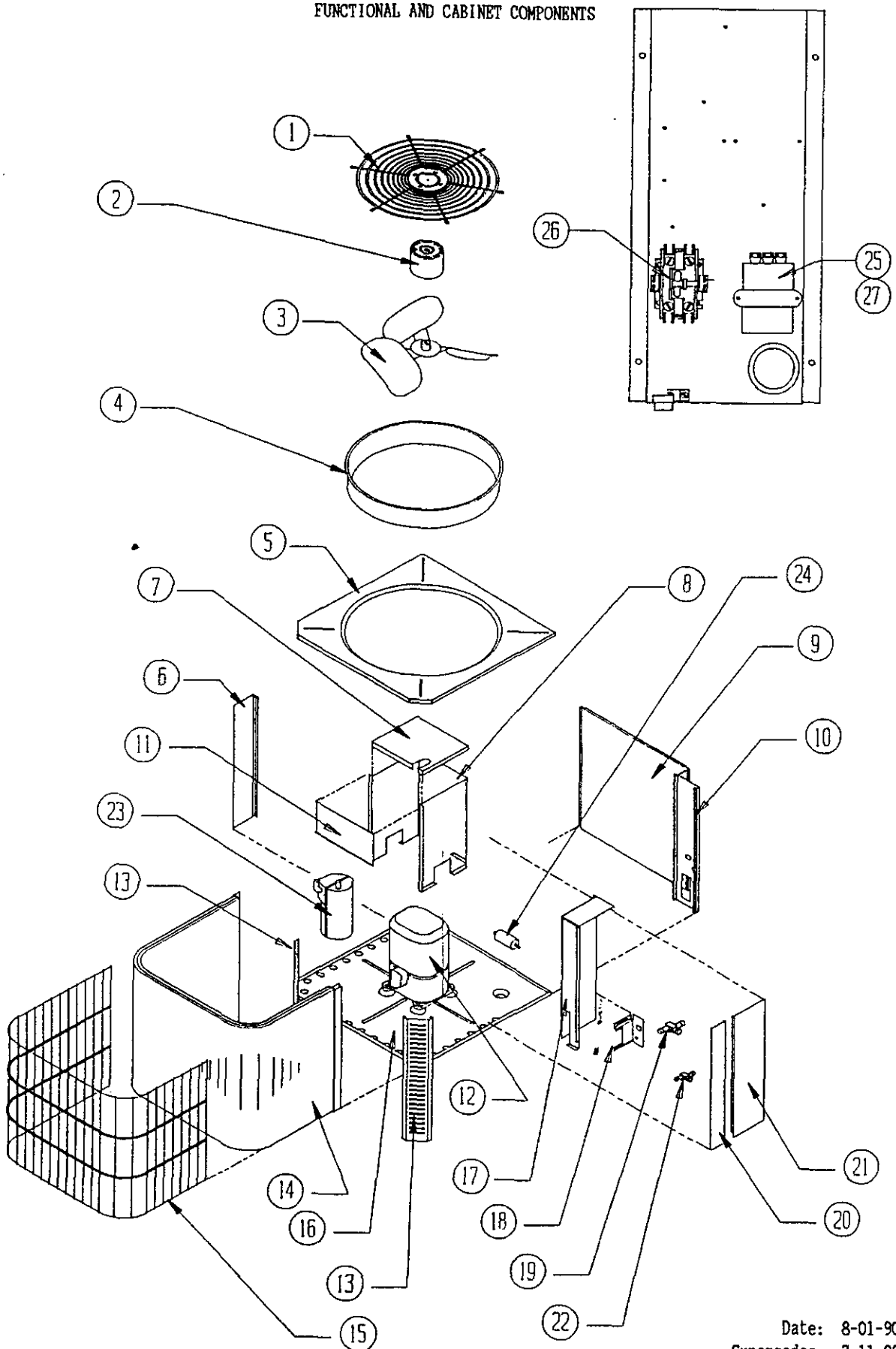
\*\*\*\*\*  
\*\* INDEX \*\*  
\*\*\*\*\*

<u>Page Description</u>	<u>Page</u>	<u>Date</u>	<u>Supersedes</u>
Functional and Cabinet Components--Exploded View	1	8-01-90	7-11-89
" " " --Usage List	2	1-09-92	8-01-90
Functional and Cabinet Components--Exploded View	3	8-01-90	7-11-89
" " " --Usage List	4	1-09-92	8-01-90

\*\*\*\*\*  
\*\*\* IMPORTANT \*\*\*  
\*\*\*\*\*

Contact the installing and/or local Bard distributor for all parts requirements. Make sure you have the complete model and serial number available from the unit rating plate.

FUNCTIONAL AND CABINET COMPONENTS



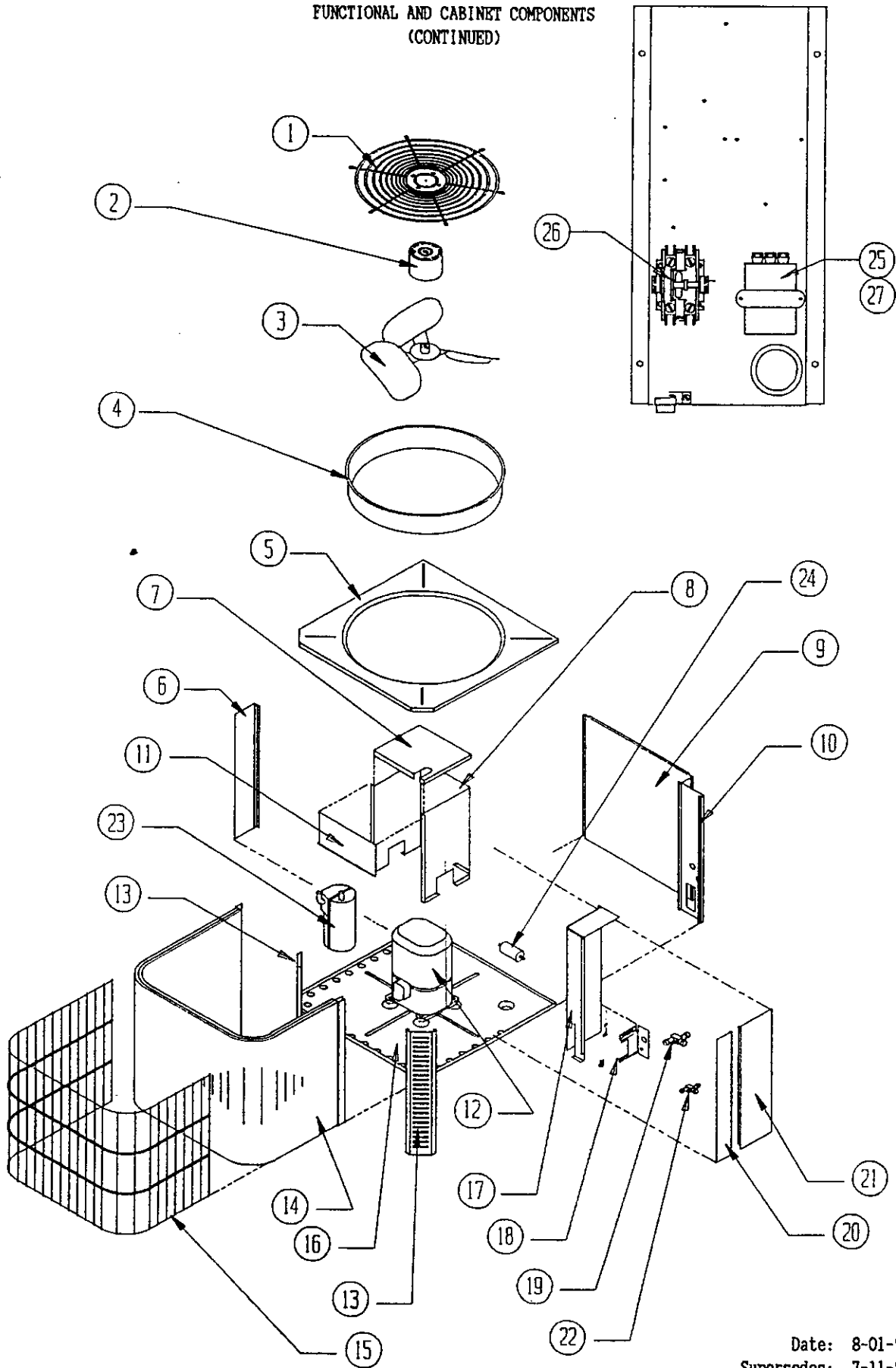
FUNCTIONAL AND CABINET COMPONENTS

Dwg. No.	Part No.	Description	2 4 U A C Q B	2 4 U A C S B	3 0 U A C Q A	3 0 U A C S A	3 6 U A C Q A	3 6 U A C S A	3 6 U A C S A	3 6 U A C S A	4 2 U A C Q B	4 2 U A C S B	4 2 U A C S B	4 8 U A C Q B	4 8 U A C S B	4 8 U A C S B	6 0 U A C Q A	6 0 U A C S A	6 0 U A C S A	
1	7051-018	Fan & Motor Mount Grille	x	x	x	x	x	x	x	x	x	x	x	x	x	x	x	x	x	x
2	8102-010	Motor--Fan	x	x	x	x	x	x	x											
2	8104-007	Motor--Fan								x	x	x	x	x	x					
2	8105-028	Motor--Fan															x	x	x	
3	5151-036	Fan Blade									x	x	x	x	x	x				
3	5151-037	Fan Blade															x	x	x	
3	5151-039	Fan Blade	x	x	x	x	x	x	x											
4	167-011	Fan Venturi	x	x	x	x	x	x	x	x	x	x	x	x	x	x	x	x	x	x
5	106-093	Top	x	x	x	x	x	x	x	x	x	x	x	x	x	x	x	x	x	x
6	148-056	Left Rear Corner	x	x	x	x	x	x	x	x	x	x	x	x	x					
6	148-059	Left Rear Corner															x	x	x	
7	534-082	Sound Enclosure Top																x	x	
7	534-087	Sound Enclosure Top																		x
8	534-080	Sound Enclosure Wrapper																x	x	x
9	152-144	Service Door	x	x	x	x	x	x	x	x	x	x	x	x	x					
9	152-143	Service Door															x	x	x	
10	148-054	Control Panel Corner	x	x	x	x	x	x	x	x	x	x	x	x	x					
10	148-057	Control Panel Corner															x	x	x	
11	534-081	Sound Enclosure Front															x	x		
12	8000-031	Compressor AG122RT-003																		x
12	8000-052	Compressor CRG3-0250-PFV					x	x												
12	8000-053	Compressor CRG3-0250-TF5							x											
12	8000-130	Compressor CR38K6-PFV-270								x	x									
12	8000-131	Compressor CR38K6-TF5-270										x								
12	8000-126	Compressor CR42K6-PFV-270											x		x					
12	8000-127	Compressor CR42K6-TF5-270												x		x				
12	8000-091	Compressor 703006-18-0733																x	x	
12	8000-110	Compressor AW5519F																		
12	8000-095	Compressor 703087-06-0813	x	x																
	8002-007	Compressor Sound Cover									x	x	x	x	x	x				
13	148-055	Front Corner	x	x	x	x	x	x	x	x	x	x	x	x	x					
13	148-058	Front Corner															x	x	x	
14	600-0015	Condenser Coil 5051-043			x	x														
14	600-0017	Condenser Coil 5051-044					x	x	x											
14	600-0012	Condenser Coil 5051-045								x	x	x								
14	600-0018	Condenser Coil 5051-046											x	x	x					
14	600-0016	Condenser Coil 5051-047															x	x	x	
14	600-0019	Condenser Coil 5051-058	x	x																
15	7051-019	Coil Grille	x	x	x	x	x	x	x	x	x	x	x	x	x					
15	7051-020	Coil Grille															x	x	x	
16	127-113	Base Assembly	x	x	x	x	x	x	x	x	x	x	x	x	x	x	x	x	x	x

Date: 8-01-90  
Supersedes: 4-30-90

2110-004

FUNCTIONAL AND CABINET COMPONENTS  
(CONTINUED)



FUNCTIONAL AND CABINET COMPONENTS  
(CONTINUED)

Dwg. No.	Part No.	Description	2 4 U A C Q B	2 4 U A C S B	3 0 U A C Q A	3 0 U A C S A	3 6 U A C Q A	3 6 U A C S A	3 6 U A C S A   B	4 2 U A C Q B	4 2 U A C S B	4 2 U A C S B   B	4 8 U A C Q B	4 8 U A C S B	4 8 U A C S B   B	6 0 U A C Q A	6 0 U A C S A	6 0 U A C S A   B
17	116-094	Control Panel Wrapper	x	x	x	x	x	x	x	x	x	x	x	x	x			
17	116-096	Control Panel Wrapper	x	x	x	x										x	x	x
18	140-105	Quick Connect Support	x		x		x											
18	140-106	Quick Connect Support								x			x			x		
18	140-107	Base Valve Support								x	x		x	x			x	x
18	140-109	Base Valve Support			x		x		x	x								
19	5651-053	Base Valve 3/4"		x		x		x	x									
19	5651-054	Base Valve 7/8"								x	x		x	x			x	x
20	100-146	Right Side	x	x	x	x	x	x	x	x	x	x	x	x	x			
20	100-147	Right Side														x	x	x
21	132-064	Control Panel Cover	x	x	x	x	x	x	x	x	x	x	x	x	x			
21	132-065	Control Panel Cover														x	x	x
22	5651-051	Base Valve 3/8"		x		x		x	x		x	x		x	x			x
23	5202-017	Accumulator														x	x	x
24	5201-011	Drier	x	x	x	x	x	x	x									
24	5201-012	Drier								x	x	x	x	x	x	x	x	x
25	8552-027	Capacitor 25/370V (See Note)	A	A														
25	8552-046	Capacitor 25+5/370V (See Note)	B	B														
25	8552-051	Capacitor 40+5/440V								x	x		x	x				
25	8552-031	Capacitor 45/440V (See Note)											x	x			A	A
25	8552-053	Capacitor 45+5/440V (See Note)															B	B
25	8552-032	Capacitor 35/370V (See Note)			A	A												
25	8552-048	Capacitor 35+5/440V (See Note)			B	B												
25	8552-035	Capacitor 40/370V (See Note)					A	A										
25	8552-050	Capacitor 40+5/370V (See Note)					B	B										
26	8401-002	Contactator							x			x			x			x
26	8401-003	Contactator 1P30A														x	x	
26	8401-007	Contactator 1P25A	x	x	x	x	x	x		x	x		x	x				
27	8552-002	Capacitor 5/370V (See Note)	A	A	A	A	A	A	A	A	A	A	A	A	A	A	A	A
	4080-110	Wiring Diagram (See Note)	A	A	A	A	A	A									A	A
	4080-111	Wiring Diagram (See Note)	B	B	B	B	B	B		x	x		x	x			B	B
	4080-210	Wiring Diagram							x			x			x			x
	5625-059	Restrictor w/.059" Orifice	x	x														
	5625-063	Restrictor w/.063" Orifice			x	x												
	5625-069	Restrictor w/.069" Orifice					x	x	x									
	5625-078	Restrictor w/.078" Orifice								x	x	x						
	5625-081	Restrictor w/.081" Orifice											x	x	x			
	5625-092	Restrictor w/.092" Orifice														x	x	x

NOTE A: For units produced before date code K90  
NOTE B: For units produced with date code K90 and after.

Date: 8-01-90  
Supersedes: 6-01-90