

REPLACEMENT PARTS MANUAL

SPLIT
AIR CONDITIONER
MODELS 24UACQA, 24UACSA, 30UACQA, 30UACSA,
36UACQA, 36UACSA, 42UACQA, 42UACSA,
48UACQA, 48UACSA, 60UACQA, 60UACSA

Manual 2110-004

Revision A

Date 4-30-90

Supersedes 7-11-89

* GENERAL NOTES *

*Revised and/or additional pages may be issued from time to time.
*A complete and current manual consists of pages dated as shown in the following index.

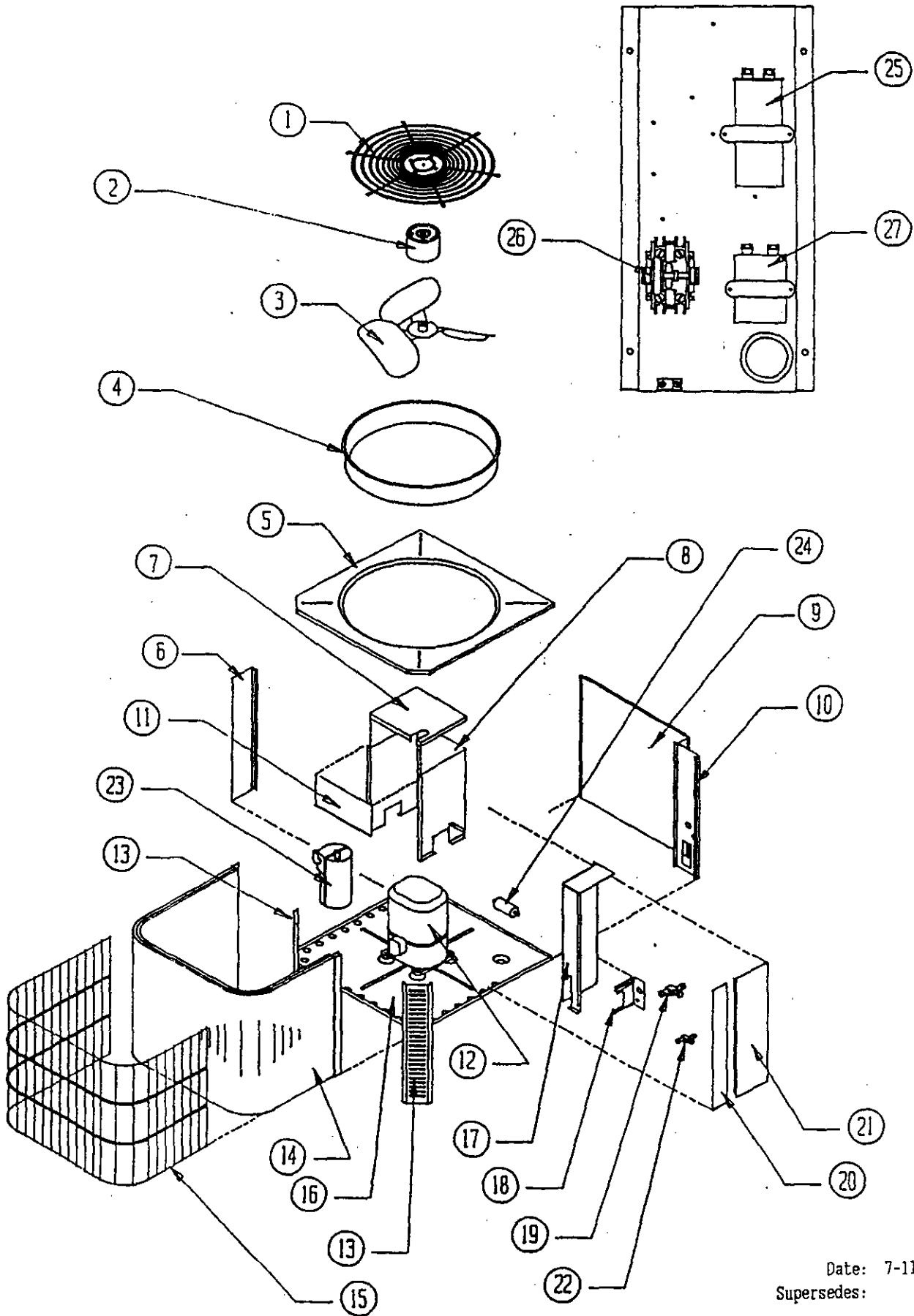
** INDEX **

<u>Page Description</u>	<u>Page</u>	<u>Date</u>	<u>Supersedes</u>
Functional and Cabinet Components--Exploded View	1	7-11-89	
" " " --Usage List	2	4-30-90	7-11-89
Functional and Cabinet Components--Exploded View	3	7-11-89	
" " " --Usage List	4	7-11-89	

*** IMPORTANT ***

Contact the installing and/or local Bard distributor for all parts requirements. Make sure you have the complete model and serial number available from the unit rating plate.

FUNCTIONAL AND CABINET COMPONENTS



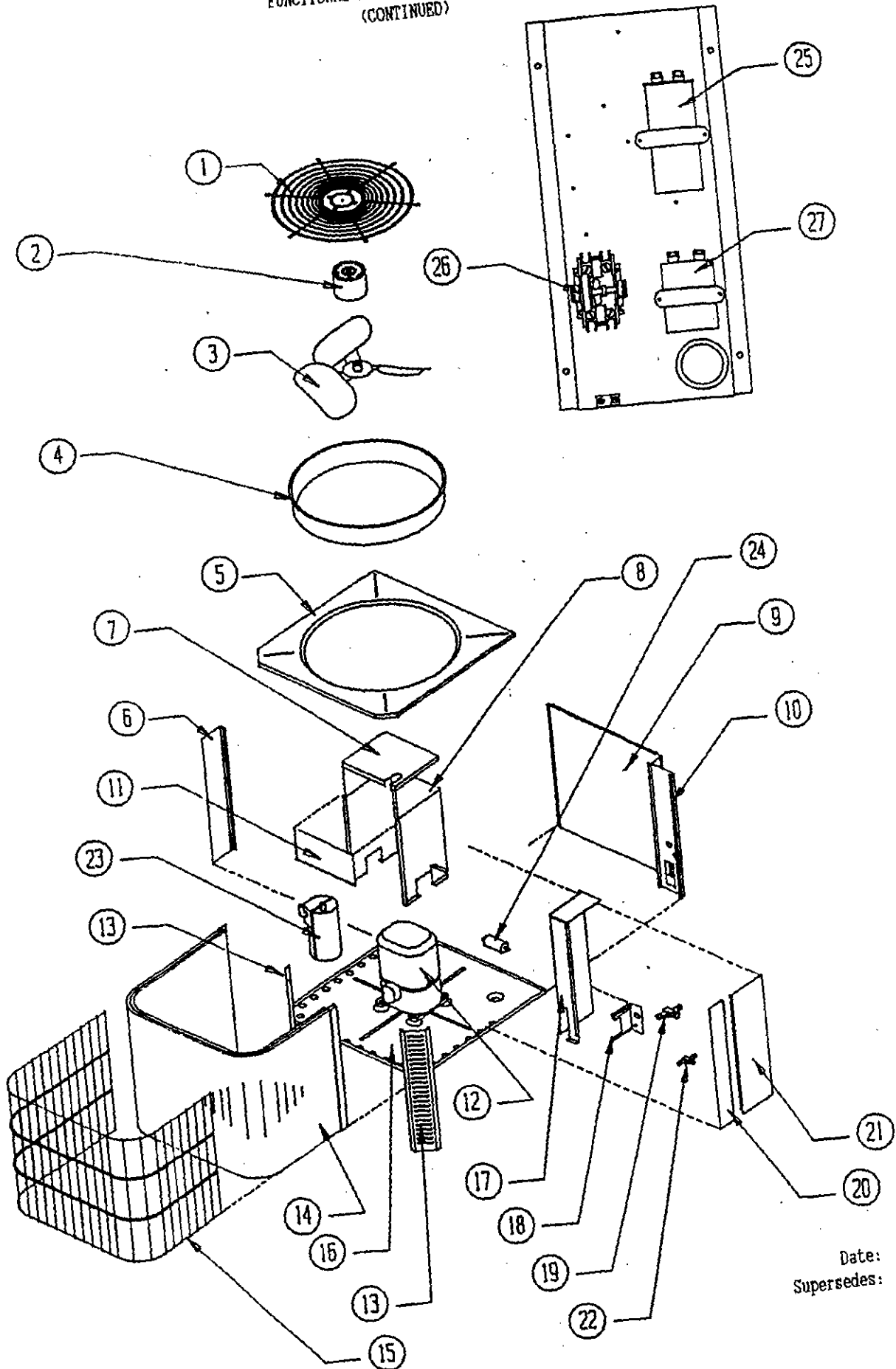
Date: 7-11-89
Supersedes:

FUNCTIONAL AND CABINET COMPONENTS

Dwg. No.	Part No.	Description	2 4 U A C Q B	2 4 U A C S B	3 0 U A C Q A	3 0 U A C S A	3 6 U A C Q A	3 6 U A C S A	3 6 U A C S A B	4 2 U A C Q A	4 2 U A C S A	4 2 U A C S A B	4 8 U A C Q A	4 8 U A C S A	4 8 U A C S A B	6 0 U A C Q A	6 0 U A C S A	6 0 U A C S A B	
1	7051-018	Fan & Motor Mount Grille	X	X	X	X	X	X	X	X	X	X	X	X	X	X	X	X	X
2	8102-010	Motor--Fan	X	X	X	X	X	X	X										
2	8104-007	Motor--Fan								X	X	X	X	X	X				
2	8105-028	Motor--Fan														X	X	X	
3	5151-036	Fan Blade								X	X	X	X	X	X				
3	5151-037	Fan Blade														X	X	X	
3	5151-039	Fan Blade	X	X	X	X	X	X	X										
4	167-011	Fan Venturi	X	X	X	X	X	X	X	X	X	X	X	X	X	X	X	X	X
5	106-093	Top	X	X	X	X	X	X	X	X	X	X	X	X	X	X	X	X	X
6	148-056	Left Rear Corner	X	X	X	X	X	X	X	X	X	X	X	X	X				
6	148-059	Left Rear Corner														X	X	X	
7	534-082	Sound Enclosure Top															X	X	
7	534-087	Sound Enclosure Top																	X
8	534-080	Sound Enclosure Wrapper															X	X	X
9	152-144	Service Door	X	X	X	X	X	X	X	X	X	X	X	X	X				
9	152-143	Service Door														X	X	X	
10	148-054	Control Panel Corner	X	X	X	X	X	X	X	X	X	X	X	X	X				
10	148-057	Control Panel Corner														X	X	X	
11	534-081	Sound Enclosure Front														X	X		
12	8000-031	Compressor AG122RT-003																	X
12	8000-052	Compressor CRG3-0250-PFV					X	X											
12	8000-053	Compressor CRG3-0250-TF5							X										
12	8000-058	Compressor CRJ3-0300-PFV								X	X								
12	8000-059	Compressor CRJ3-0300-TF5										X							
12	8000-063	Compressor CRK3-0325-PFV											X	X					
12	8000-064	Compressor CRK3-0325-TF5													X				
12	8000-091	Compressor 703006-18-0733														X	X		
12	8000-110	Compressor AW5519F	X	X															
12	8000-095	Compressor 703087-06-0813			X	X													
13	148-055	Front Corner	X	X	X	X	X	X	X	X	X	X	X	X	X				
13	148-058	Front Corner														X	X	X	
14	600-0015	Condenser Coil			X	X													
14	600-0017	Condenser Coil					X	X	X										
14	600-0012	Condenser Coil								X	X	X							
14	600-0018	Condenser Coil											X	X	X				
14	600-0016	Condenser Coil														X	X	X	
14	600-0019	Condenser Coil	X	X															
15	7051-019	Coil Grille	X	X	X	X	X	X	X	X	X	X	X	X	X				
15	7051-020	Coil Grille														X	X	X	
16	127-113	Base Assembly	X	X	X	X	X	X	X	X	X	X	X	X	X	X	X	X	X
	8002-002	Sound Cover								X	X	X	X	X	X				

Date: 4-30-90
Supersedes: 7-11-89

FUNCTIONAL AND CABINET COMPONENTS
(CONTINUED)



Date: 7-11-89
Supersedes:

FUNCTIONAL AND CABINET COMPONENTS
(CONTINUED)

Dwg. No.	Part No.	Description	2 4 U A C Q B	2 4 U A C S B	3 O U A C Q A	3 O U A C S A	3 6 U A C Q A	3 6 U A C S A	3 6 U A C S A B	4 2 U A C Q A	4 2 U A C S A	4 2 U A C S A B	4 8 U A C Q A	4 8 U A C S A	4 8 U A C S A B	6 O U A C Q A	6 O U A C S A	6 O U A C S A B
17	116-094	Control Panel Wrapper	X	X	X	X	X	X	X	X	X	X	X	X	X			
17	116-096	Control Panel Wrapper	X	X	X	X										X	X	X
18	140-105	Quick Connect Support	X		X		X											
18	140-106	Quick Connect Support								X			X			X		
18	140-107	Base Valve Support								X	X			X	X		X	X
18	140-109	Base Valve Support			X		X		X	X								
19	5651-053	Base Valve 3/4"		X		X		X	X									
19	5651-054	Base Valve 7/8"								X	X		X	X		X	X	
20	100-146	Right Side	X	X	X	X	X	X	X	X	X	X	X	X	X			
20	100-147	Right Side														X	X	X
21	132-064	Control Panel Cover	X	X	X	X	X	X	X	X	X	X	X	X	X			
21	132-065	Control Panel Cover														X	X	X
22	5651-051	Base Valve 3/8"		X		X		X	X		X	X		X	X		X	X
23	5202-017	Accumulator														X	X	X
24	5201-011	Drier	X	X	X	X	X	X										
24	5201-012	Drier							X	X	X	X	X	X	X	X	X	X
25	8552-027	Capacitor 25/370V	X	X														
25	8552-028	Capacitor 35/440V							X	X								
25	8552-030	Capacitor 40/440V											X	X				
25	8552-031	Capacitor 45/440V														X	X	
25	8552-032	Capacitor 35/370V			X	X												
25	8552-035	Capacitor 40/370V					X	X										
26	8401-002	Contacto						X			X				X			X
26	8401-003	Contacto 1P30A														X	X	
26	8401-007	Contacto 1P25A	X	X	X	X	X		X	X			X	X				
27	8552-002	Capacitor 5/370V	X	X	X	X	X	X	X	X	X	X	X	X	X	X	X	X
	4080-110	Wiring Diagram	X	X	X	X	X		X	X			X	X		X	X	
	4080-210	Wiring Diagram						X				X			X			X
	5625-063	Restrictor w/.063" Orifice	X	X	X	X												
	5625-069	Restrictor w/.069" Orifice					X	X	X									
	5625-078	Restrictor w/.078" Orifice								X	X	X						
	5625-081	Restrictor w/.081" Orifice											X	X	X			
	5625-092	Restrictor w/.092" Orifice														X	X	X

Date: 7-11-89
Supersedes: