

# REPLACEMENT PARTS MANUAL

## SPLIT AIR CONDITIONER MODELS 30ECQ4, 30ECQ5, 31ECQ2, 36ECQ5, 37ECQ1

Manual 2110-002

Revision A

Date 3-01-90

Supersedes 7-11-89

\*\*\*\*\*  
\* GENERAL NOTES \*  
\*\*\*\*\*

\*Revised and/or additional pages may be issued from time to time.  
\*A complete and current manual consists of pages dated as shown in the following index.

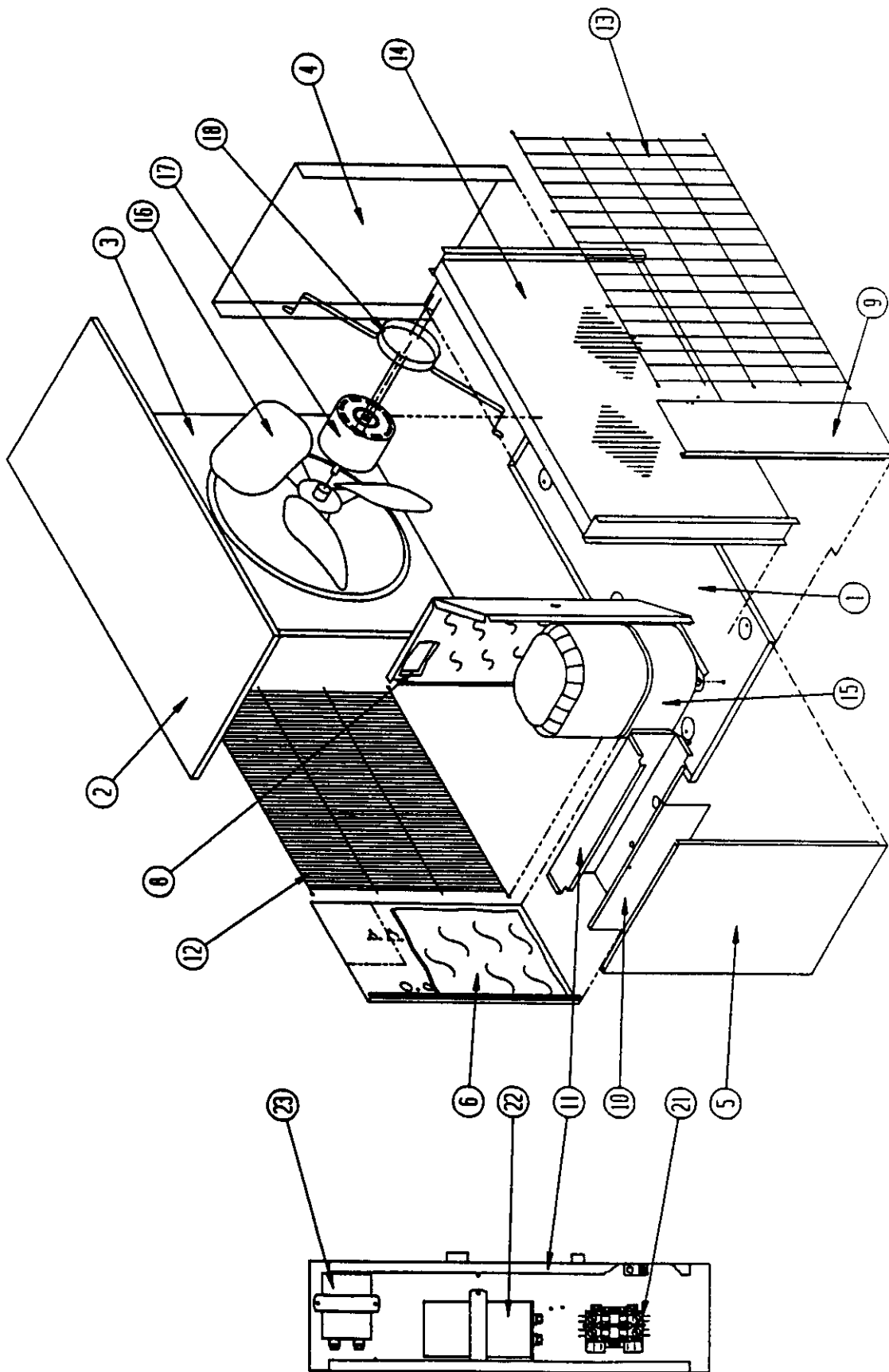
\*\*\*\*\*  
\*\* INDEX \*\*  
\*\*\*\*\*

<u>Page Description</u>	<u>Page</u>	<u>Date</u>	<u>Supersedes</u>
Functional and Cabinet Components--Exploded View	1	3-01-90	7-11-89
" " " --Usage List	2	3-01-90	7-11-89

\*\*\*\*\*  
\*\*\* IMPORTANT \*\*\*  
\*\*\*\*\*

Contact the installing and/or local Bard distributor for all parts requirements. Make sure you have the complete model and serial number available from the unit rating plate.

FUNCTIONAL AND CABINET COMPONENTS



Date: 3-01-90  
Supersedes: 7-11-89

FUNCTIONAL AND CABINET COMPONENTS

Item No.	Part No.	Description	30EQ4	30EQ5	31EQ2	36EQ5	36EQ5 D	37EQ1	37EQ1 B	37EQ1 C	37EQ1 E
1	127-097	Base Assebnly	X	X	X	X	X	X	X	X	X
2	506-016	Top	X	X	X	X	X	X	X	X	X
3	124-009	Fan Shroud	X	X	X	X	X	X	X	X	X
4	100-131	Side	X	X	X	X	X	X	X	X	X
5	552-091	Service Door	X	X	X	X	X	X	X	X	X
6	548-046	Compressor Corner	X	X	X	X	X	X	X	X	X
8	520-068	Compressor Partition	X	X	X	X	X	X	X	X	X
9	548-045	Coil Corner	X	X	X	X	X	X	X	X	X
10	132-070	Control Panel Cover	X	X	X	X	X	X	X	X	X
11	*	Control Panel Assembly *See Control Panel Drawing									
11	116-032	Control Panel	X	X	X	X	X	X	X	X	X
12	7051-003	Inlet Air Grille	X	X	X	X	X	X	X	X	X
13	7051-001	Condenser Grille	X	X	X	X	X	X	X	X	X
14	5051-020	Condenser Coil			X						
14	5051-034	Condenser Coil	X	X		X	X				
14	5051-035	Condenser Coil						X	X	X	X
15	8000-039	Compressor AW5540E					X				
15	8000-080	Compressor AB233FT	X								
15	8000-099	Compressor H23B283ABC			X						
15	8000-072	Compressor AV144ET				X					
15	8000-084	Compressor AV135ET					X				
15	8000-059	Compressor CRJ3-0300-TF5						X			X
15	8000-060	Compressor CRJ3-0300-TFD			X				X		
15	8000-114	Compressor AW5530E		X							
16	5151-007	Fan Blade TP2029	X	X	X	X	X	X	X	X	X
17	8103-009	Motor--Fan 1/5 H.P.	X	X	X	X	X	X			X
17	8103-014	Motor--Fan 1/5 H.P.							X		
18	8200-001	Motor Mount--Fan	X	X	X	X	X	X	X	X	X
21	8401-002	Contacto--Comp 25A 3 Pole							X	X	X
21	8401-003	Contacto--Comp 30A				X					
21	8401-007	Contacto--Comp 25A	X	X	X		X	X			
22	8552-007	Capacitor 20/15--370V	X								
22	8552-028	Capacitor 35/440V					X				
22	8552-031	Capacitor 45/440V						X			
22	8552-048	Capacitor 35+5/370V			X						
22	8552-051	Capacitor 40+5/440V				X					
22	8552-052	Capacitor 45+5/370V		X							
22	8552-053	Capacitor 45+5/440V						X			
23	8552-002	Capacitor 5/370V	X	X	X	X	X	X	X	X	X
	4062-110	Wiring Diagram	X								
	4062-111	Wiring Diagram		X	X	X		X			
	4062-210	Wiring Diagram							X		X
	4062-310	Wiring Diagram								X	
	4062-410	Wiring Diagram					X				

Date: 3-01-90  
Supersedes: 7-11-89