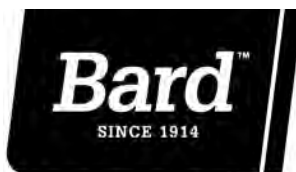

INSTALLATION INSTRUCTIONS

ELECTRIC HEAT PACKAGE

Model

EHWH24B-C06L

**For 2 Ton WL Series
Wall Mounted Air Conditioner**



Climate Control Solutions

Bard Manufacturing Company, Inc.
Bryan, Ohio 43506
Since 1914...Moving, ahead just as planned.

Manual: 2100-412
Supersedes:
File: Volume III, Tab 18
Date: 01-03-02

CONTENTS

Model Nomenclature Legend	1
Description.....	1
Important	1
Shipping Damage	1
Unpacking the Electric Heat Package	1
Wiring Main Power	1
Installation	2

Figures

Figure 1	Electric Heater Access Panel & Control Panel Cover Locations.....	3
Figure 2	Screw Mounting Holes.....	3
Figure 3	Heater Terminals.....	4
Figure 4	Installing Heater Base and Connecting.....	5
Figure 5	Serial Plate Showing Approved Heater Packages	6

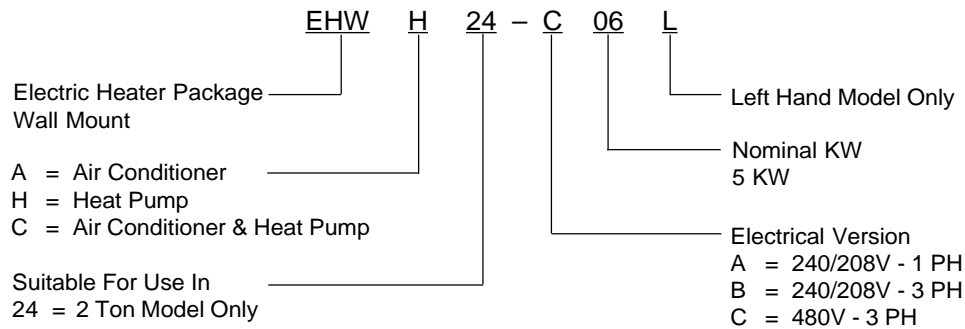
Tables

Table 1	Electrical Data and BTU Output	1
Table 2	References to Figures 2 & 3.....	4

BARD MANUFACTURING COMPANY, INC.

BRYAN, OHIO 43506

MODEL NOMENCLATURE LEGEND



DESCRIPTION

The EHWA, EHWH and EHWC series electric heater packages are field installable heater packages suitable for use with Bard wall mount hi boy air conditioners and heat pumps. The packages consist of the electric heat strip, the heater control base which includes the heat contactors, and circuit breaker or pull disconnects, installation instructions and wiring diagrams. See Table 1 for nominal electrical data and BTU output. **Before installation, check unit serial plate to insure the heater package model that you intend to install is listed a heater package that is suitable for use with the Bard wall mount hi boy unit.** See Figure 5.

IMPORTANT

The equipment covered in this manual is to be installed by trained, experienced service and installation technicians.

SHIPPING DAMAGE

Upon receipt of equipment, the carton should be checked for external signs of shipping damage. If damage is found, the receiving party must contact the last carrier immediately, preferably in writing, requesting inspection by the carrier's agent.

UNPACKING THE ELECTRIC HEAT PACKAGE

Remove the heat package from the shipping carton. The heat package must consist of the following:

1. Basic heater
2. Electric heat control base and wiring.
3. Installation instructions.
4. Wiring diagram (2), one to be applied to unit.
5. Adhesive label to remark serial plate to indicate new model number. This is attached to the front of these instructions.

WIRING MAIN POWER

1. On all installations, size unit power supply wiring for the minimum circuit ampacity requirement for the unit and heater package combination listed on the unit serial plate.



WARNING

Install properly sized power supply leads for the unit/heater combination minimum circuit ampacity as listed on the unit serial plate. Hazard of fire. Failure to install properly sized conductors could result in fire causing damage, bodily injury or death.

**TABLE 1
ELECTRICAL DATA AND BTU OUTPUT**

Heater Package Model	Volts	Phase	Nominal KW	Nominal BTU
EHWH24B-C06L	480	3	6	20,475

2. All heater packages covered by this manual are factory wired for single supply circuit.
Wire should be sized to the minimum circuit ampacity as specified on the serial plates of units.

INSTALLATION

1. Disconnect all power to unit before installation.

WARNING

Disconnect all power to unit before installing heater package. Hazard of electrical shock. Failure to disconnect power could result in injury or death.

2. Before installation, check unit serial plate to insure that the heater package model that you intend to install is listed as a heater package suitable for use with the unit.

Under no circumstance shall a heater package be installed in a unit if the model number of the heater package does not appear on the unit serial plate.

WARNING

Install only heater packages listed on unit serial plate. Hazard of fire or electrical shock. Failure to install listed heater package could result in fire, injury or death.

3. Remove electric heater access panel and control panel cover, both inner and outer. See Figure 2.

4. All heaters are installed with the thermal cutoffs positioned to the top of the unit. Install heat strip(s) through heater access opening. Position heat strip support rod in heater support hole 1, 2 or 3 as indicated in Table 2 and Figure 2.

5. Install heater control base into top of control panel as shown in Figure 4. Secure with four (4) sheet metal screws provided.

6. Plug mail six (6) pin connector into mating connector mounted in control panel. See Figure 4.

7. Connect red compressor supply lead to L1 of terminal block. Connect black compressor supply lead to L2 of terminal block. If three phase, connect yellow supply lead to L3 of terminal block. See Figure 4 and wiring diagram.

8. Route wires from heater control base up through raceway in top right corner of control panel to the heaters. See Figure 4.

9. Wire heater package per wiring diagram supplied with this heater package. All wires are stamped with wire numbers that correspond with terminal numbers on the wiring diagram and stamped numbers on the heat strip. Limit switch wires are terminated with insulated quick connect terminals. See Figure 3.

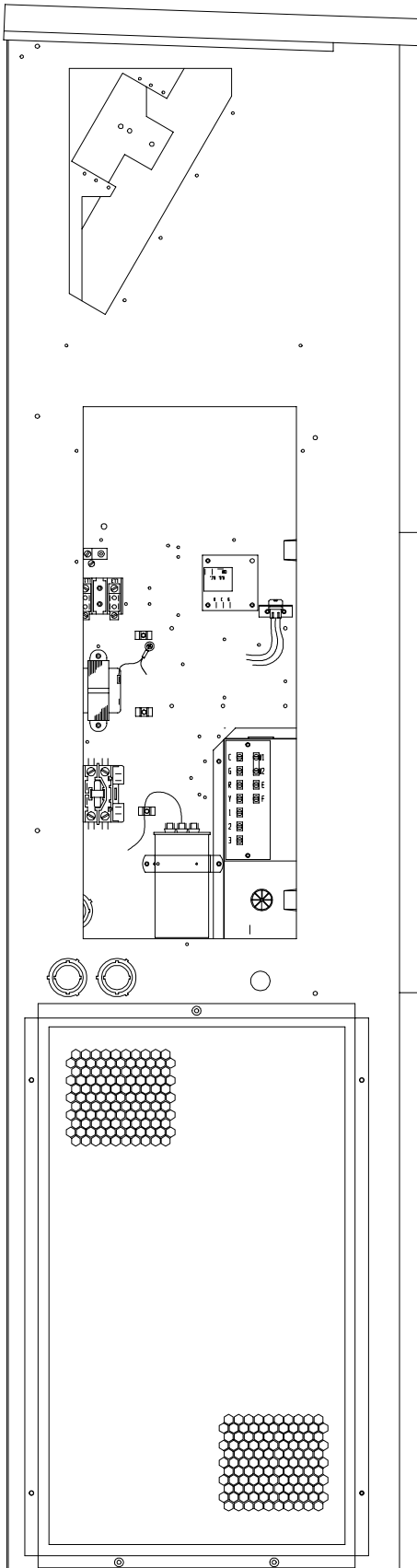
10. Attach adhesive wiring diagram directly above unit wiring diagram on inner control panel cover.

11. Recheck all wiring. Break out appropriate circuit breaker tabs on inner control panel cover to allow trip lever to protrude. Replace control panel and heater access panels.

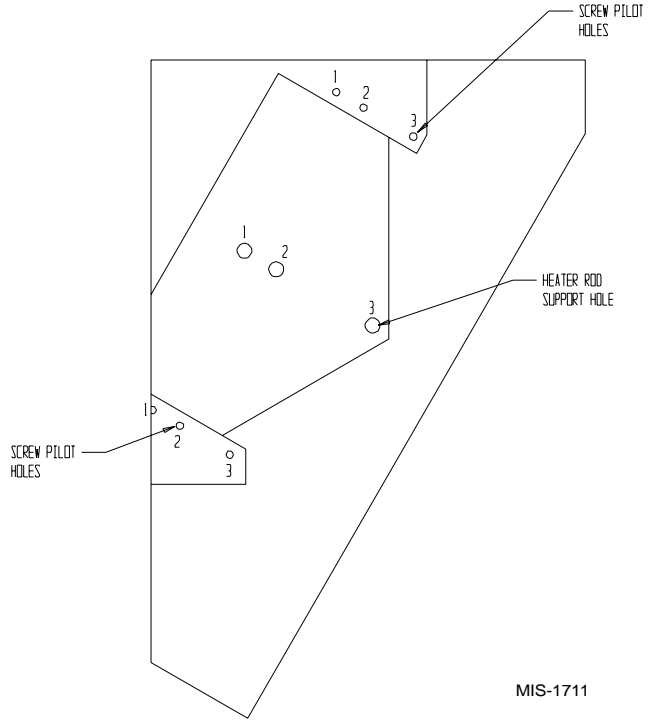
12. Resupply power to the unit and check for proper operation.

13. Remark serial plate with self-adhesive label attached to the front of this manual. See Figure 5.

**FIGURE 1
ELECTRIC HEATER ACCESS PANEL
AND CONTROL PANEL COVER LOCATIONS**



**FIGURE 2
SCREW MOUNTING HOLES**



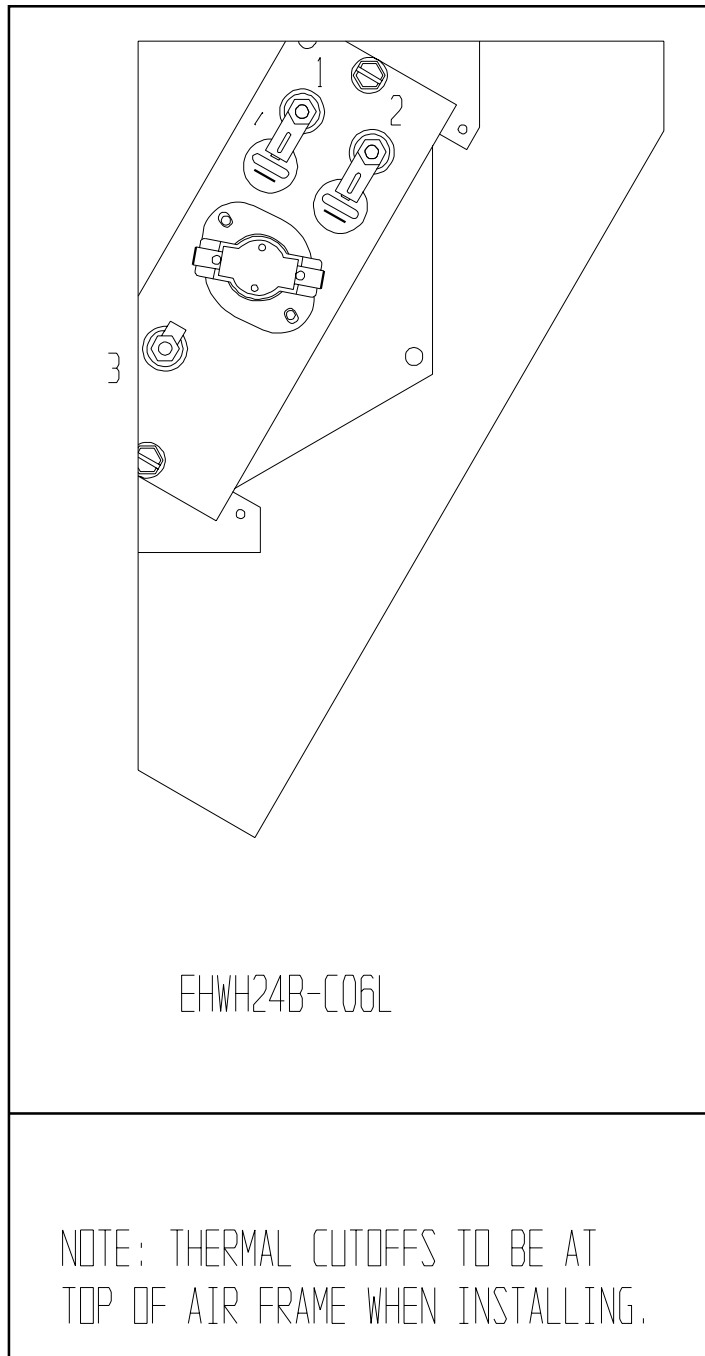
MIS-1711

MIS-1710

**TABLE 2
REFERENCES TO FIGURES 2 AND 3**

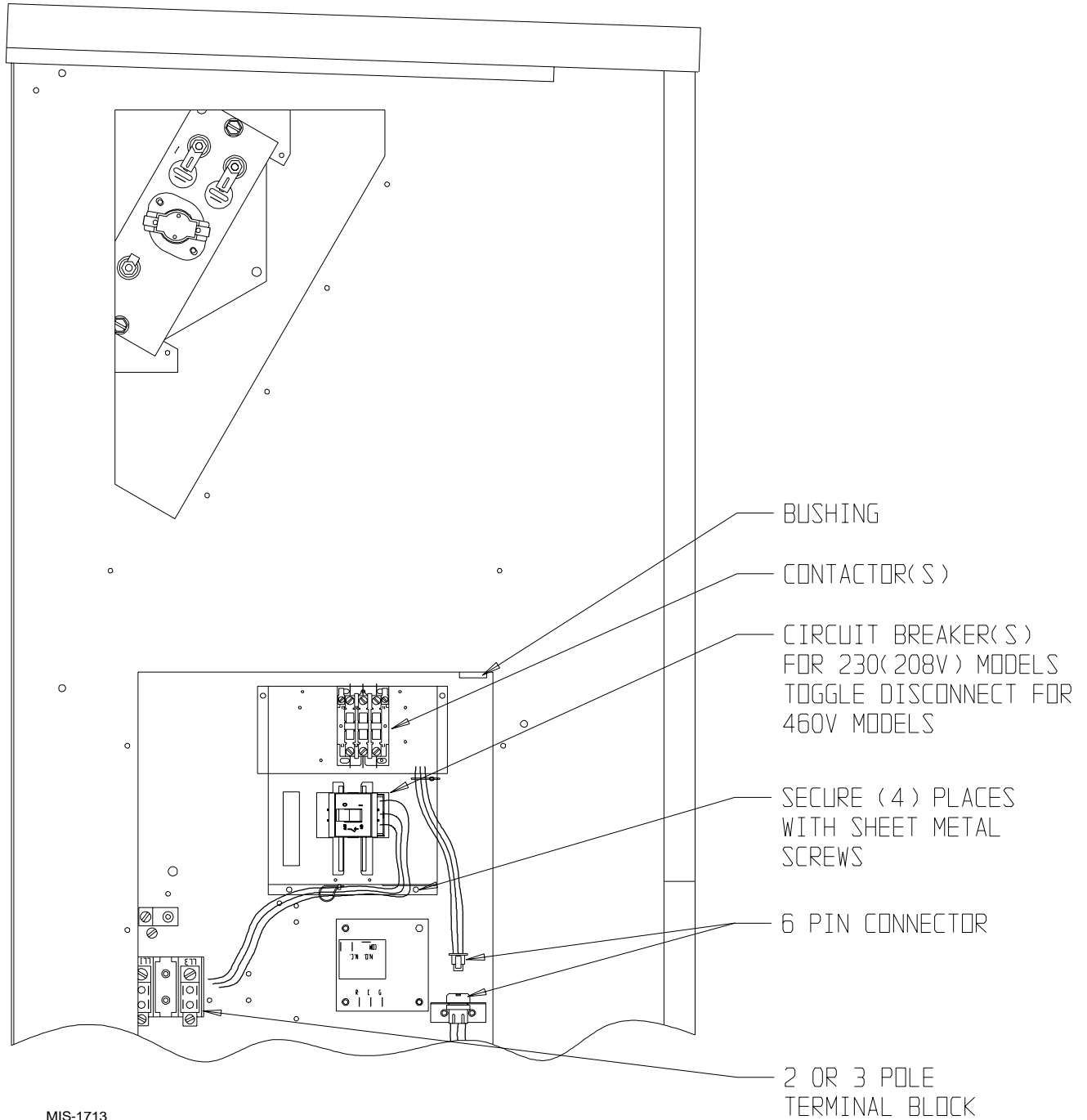
Heater Package Model Number	Figure 3 Heater Terminal Identification Drawing	Figure 2 Rod Support and Screw Mounting Position
EHWH24-C06L	Fig. 3	1

**FIGURE 3
HEATER TERMINALS**



MIS-1712

**FIGURE 4
INSTALLING HEATER BASE
AND CONNECTING**



MIS-1713

**FIGURE 5
SERIAL PLATE SHOWING
APPROVED HEATER PACKAGES**

INSTALL ONLY HEATER PACKAGES LISTED HERE.

(X)	()	()	()	()
()	(X)	()	()	()
()	()	(X)	()	()
()	()	()	(X)	()
()	()	()	()	(X)

ASSURE THAT SERIAL PLATE IS CLEAN AND DRY, REMOVE APPROPRIATE LABEL STRIP FOR KW REQUIRED AND REMARK SERIAL PLATE AS SHOWN FOR THE HEATER PACKAGE THAT IS INSTALLED

BARD MANUFACTURING COMPANY, 1914 RANDOLPH DRIVE

(1)
APPROVED
HEATER
PACKAGE

MODEL	APPROVED HEATER PACKAGE	VAC	HZ
[()] WA361-A0012345	NONE	230/208	60
[()] WA361-A0512345	EHWA03-A05	230/208	60
[(X)] WA361-A0812345	EHWA03-A08	230/208	60
[()] WA361-A1012345	EHWA03-A10	230/208	60
[()] WA361-A1512345	EHWA03-A15	230/208	60

BRANCH CIRCUIT SELECT CURRENT 17 OPERATION

SERIAL NUMBER 125H920711193-01 UL FILE NO.

SUITABLE FOR OUTDOOR USE

	VAC	HZ	PH	ELECTRICAL HP
COMPRESSOR	230/208	60	1	
OUTDOOR MOTOR	230/208	60	1	1/5
INDOOR MOTOR	230/208	60	1	1/3

HEATER PACKAGE	VAC	HZ	PH	KW
EHWA03-A05	240/208	60	1	5/3.75
EHWA03-A08	240/208	60	1	8/6
EHWA03-A10	240/208	60	1	10/7.5
EHWA03-A15	240/208	60	1	15/11.25

-- FACTORY

FACTORY CHARGED R22: 68 OZ. DESI

-- CLEAR