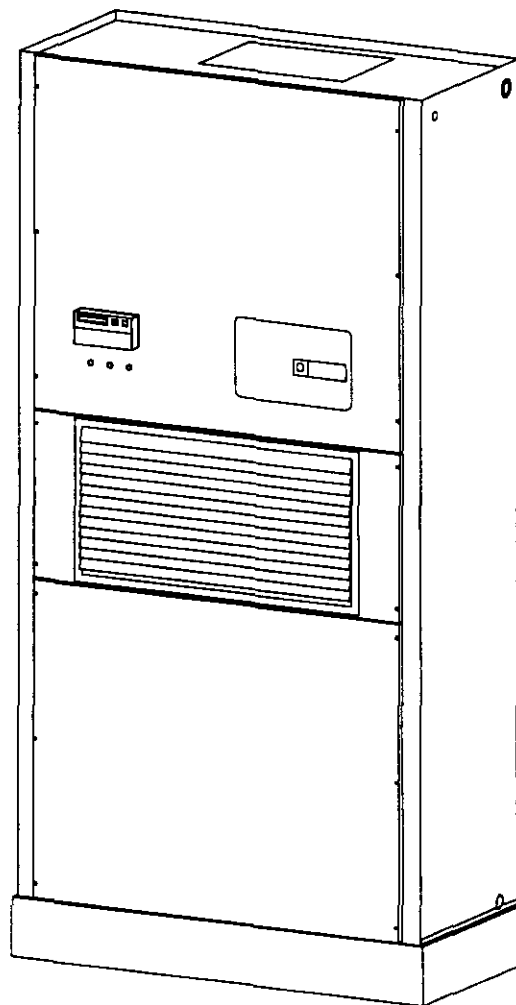

Installation Instructions

QTEC Series Packaged Heat Pump

Models:
QH241D QH301D
QH361D QH421D
QH481D



MIS-873



Bard Manufacturing Company
Bryan, Ohio 43506

*Since 1914...Moving ahead, just as
planned.*

Manual No.: 2100-312A
File: Vol II Tab 14
Date: 11-18-97

© Copyright 1997

Contents

Getting Other Information and Publications	1
For more information, contact these publishers:	1
QTEC General Information	2
QTEC Model Nomenclature	2
Shipping Damage	6
Unit Removal From Skid	6
Handling Unit After Removal From Skid	7
General	7
Minimum Installation Height	7
Duct Work	9
Filters	9
Fresh Air Intake	10
Condensate Drain	10
Service Lights	11
Installation Instructions	12
Mounting the Unit	12
Wiring — Main Power	13
Wiring — Low Voltage Wiring	13

Start Up	16
Description of Standard Equipment	16
Optional CFM (QH361/QH421 and QH481 Only)	16
Important Installer Note	16
Three Phase Scroll Compressor Start Up Information	16
Service Hints	16
Mist Eliminator Service	17
Sequence of Operation	20
Optional Climate Controls Sequence of Operation	20
Refrigerant Tube Schematic for Reheat Coil	21
Pressure Service Ports	21
Defrost Cycle	23
Troubleshooting	24
Solid State Heat Pump Control	24
Troubleshooting Procedure	24
Checking Temperature Sensor	25
Fan Blade Setting Dimensions	26
Refrigerant Charge	26
Pressure Charts	27
Optional Accessories	28

Figures	
Figure 1 Unit Dimensions	5
Figure 2 Air Seal on Bottom of Unit	6
Figure 3 Removal of Unit From Skid	6
Figure 4 Unit on Appliance Cart for Moving	7
Figure 5 Installation With Free Blow Plenum	8
Figure 6 Ducted Application	8
Figure 7 Supply Duct Connections	9
Figure 8 Filter Location	9
Figure 9 Side Drain	10
Figure 10 Optional Rear Drain	10
Figure 11 Rear Drain (Top View)	11
Figure 12 Unit Mounting	11
Figure 13 Screws in Wheels of Unit	12
Figure 14 Component Location	13
Figure 15 Thermostat Wiring Diagram	14
Figure 15A Remote Thermostat Wiring Diagram	15
Figure 16 Fresh Air Damper Removal	18
Figure 17 QERV Removal	19
Figure 18 Dehumidification Mode Circuit	21
Figure 19 Cooling Mode Circuit	22
Figure 20 Heat Pump Control Board	23
Figure 21 Fan Blade Setting	26

Tables	
Table 1 Factory Built-In Electric Heat Table	2
Table 2 Electrical Specifications	3
Table 3 Operating Voltage Range	13
Table 4 Wall Thermostats and Subbase Combinations	13
Table 5 Troubleshooting	24
Table 6 Temperature vs Resistance of Temperature Sensor	25
Table 7 Fan Blade Dimensions	26
Table 8 Suction Line Temperatures	26
Table 9 Indoor Blower Performance	26
Table 10 Cooling Pressure	27
Table 11 Heating Pressure	28

Getting Other Information and Publications

These publications can help you install the air conditioner or heat pump. You can usually find these at your local library or purchase them directly from the publisher. Be sure to consult current edition of each standard.

- National Electrical Code ANSI/NFPA 70
- Standard for the Installation ANSI/NFPA 90A
of Air Conditioning and
Ventilating Systems
- Standard for Warm Air ANSI/NFPA 90B
Heating and Air
Conditioning Systems
- Load Calculation for ACCA Manual J or
Winter and Manual N
Summer Air Conditioning
- Low Pressure, Low Velocity Duct ACCA Manual D or
System Design for Winter and Manual Q
Summer Air Conditioning

For more information, contact these publishers:

ACCA — Air Conditioning Contractors of America
1712 New Hampshire Avenue
Washington, DC 20009
Telephone: (202) 483-9370
Fax: (202) 234-4721

ANSI — American National Standards Institute
11 West Street, 13th Floor
New York, NY 10036
Telephone: (212) 642-4900
Fax: (212) 302-1286

**ASHRAE — American Society of Heating Refrigerating,
and Air Conditioning Engineers, Incorporated**
1791 Tullie Circle, N.E.
Atlanta, GA 30329-2305
Telephone: (404) 636-8400
Fax: (404) 321-5478

NFPA — National Fire Protection Association
Batterymarch Park
P.O. Box 9101
Quincy, MA 02269-9901
Telephone: (800) 344-3555
Fax: (617) 984-7057

QTEC Series General Information

QTEC Model Nomenclature

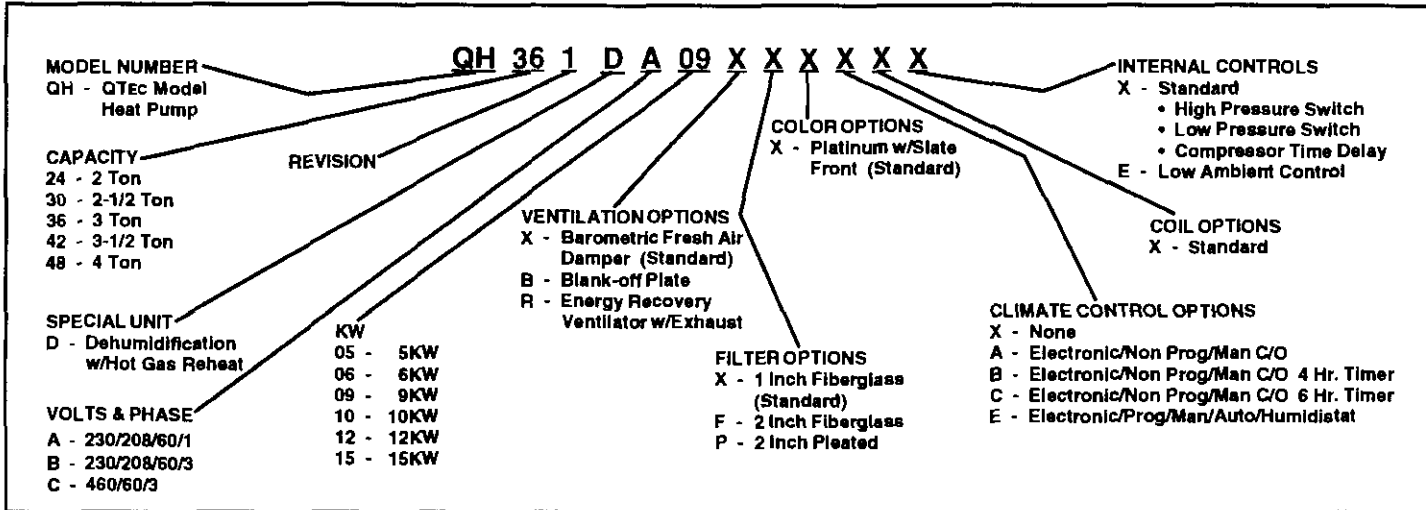


TABLE 1 - FACTORY BUILT-IN ELECTRIC HEAT TABLE

MODELS	QH241DA QH301DA		QH241DB		QH301DB		QH241DC	QH301DC	QH361DA QH421DA QH481DA		QH361DB QH421DB QH481DB		QH361DC QH421DC QH481DC
	240V-1	208V-1	240V-1	208V-1	240V-1	208V-1			480V-3	480V-3	240V-1	208V-1	
KW	BTUH	BTUH	BTUH	BTUH	BTUH	BTUH	BTUH	BTUH	BTUH	BTUH	BTUH	BTUH	BTUH
5.0	16,380	12,290							16,380	12,290			
6.0			20,500	15,360	20,500	15,360	20,500	20,500			20,500	15,360	20,500
9.0			30,700	23,000	30,700	23,000	30,700	30,700			30,700	23,000	30,700
10.0	32,670	24,570							32,670	24,570			
12.0					41,000	30,700		41,000					
15.0									49,150	36,860	49,150	36,860	49,150

TABLE 2 ELECTRICAL SPECIFICATIONS

MODEL	RATED VOLTS & PHASE	SINGLE CIRCUIT					DUAL CIRCUIT							
		NO. FIELD POWER CIRCUITS	③ MINIMUM CIRCUIT AMPACITY	① MAXIMUM EXTERNAL FUSE OR CIRCUIT BREAKER	② FIELD POWER WIRE SIZE	② GROUND WIRE SIZE	③ MINIMUM CIRCUIT AMPACITY		① MAXIMUM EXTERNAL FUSE OR CIRCUIT BREAKER		② FIELD POWER WIRE SIZE		② GROUND WIRE SIZE	
							CKT. A	CKT. B	CKT. A	B	CKT. A	CKT. B	CKT. A	CKT. B
QH241DA0Z DA05 DA10	230/208-1	1 1 1 OR 2	22 47 72	30 50 80	10 8 4	10 10 8	-- -- 22	-- -- 50	-- -- 30	-- -- 50	-- -- 10	-- -- 8	-- -- 10	-- -- 10
QH241DB0Z DB06 DB09	230/208-3	1 1 1	16 34 43	20 35 45	12 8 8	12 10 10	-- -- --	-- -- --	-- -- --	-- -- --	-- -- --	-- -- --	-- -- --	-- -- --
QH241DC0Z DC06 DC09	460-3	1 1 1	11 20 24	15 20 25	14 12 10	14 12 10	-- -- --	-- -- --	-- -- --	-- -- --	-- -- --	-- -- --	-- -- --	-- -- --
QH301DA0Z DA05 DA10	230/208-1	1 1 1 OR 2	24 49 74	35 50 80	8 8 4	10 10 8	-- -- 24	-- -- 50	-- -- 30	-- -- 50	-- -- 10	-- -- 8	-- -- 10	-- -- 10
QH301DB0Z DB06 DB09 DB12	230/208-3	1 1 1 1	18 36 45 54	25 40 45 60	10 8 6 6	10 10 10 10	-- -- -- --	-- -- -- --	-- -- -- --	-- -- -- --	-- -- -- --	-- -- -- --	-- -- -- --	-- -- -- --
QH301DC0Z DC06 DC09 DC12	460-3	1 1 1 1	12 22 26 31	15 25 30 35	14 10 10 8	14 10 10 10	-- -- -- --	-- -- -- --	-- -- -- --	-- -- -- --	-- -- -- --	-- -- -- --	-- -- -- --	-- -- -- --
QH361DA0Z DA05 DA10 ④ DA15	230/208-3	1 1 1 OR 2 1 OR 2	27 52 77 82	35 60 90 90	8 6 4 4	10 10 8 8	-- -- 27 32	-- -- 50 50	-- -- 40 40	-- -- 50 50	-- -- 8 8	-- -- 8 8	-- -- 10 10	-- -- 10 10
QH361DB0Z DB06 DB09 ⑤ DB15	230/208-3	1 1 1 1	20 38 48 52	30 40 50 60	10 8 8 6	10 10 10 10	-- -- -- --	-- -- -- --	-- -- -- --	-- -- -- --	-- -- -- --	-- -- -- --	-- -- -- --	-- -- -- --
QH361DC0Z DC06 DC09 ⑤ DC15	460-3	1 1 1 1	14 23 27 29	15 25 30 30	14 10 10 10	14 10 10 10	-- -- -- --	-- -- -- --	-- -- -- --	-- -- -- --	-- -- -- --	-- -- -- --	-- -- -- --	-- -- -- --

- ① Maximum size of the time delay fuse or HACR type circuit breaker for protection of field wiring conductors.
- ② Based on 75° C copper wire. All wiring must conform to the National Electrical Code and all local codes.
- ③ These "Minimum Circuit Ampacity" values are to be used for sizing the field power conductors. Refer to the National Electric Code (latest revision), article 310 for power conductor sizing. CAUTION: When more than one field power conductor circuit is run through one conduit, the conductors must be derated. Pay special attention to Note 8 of Table 310 regarding Ampacity Adjustment Factors when more than three conductors are in a raceway.
Maximum KW that can operate with heat pump on is 10KW. Other 5KW energizes during emergency heating only.
Maximum KW that can operate with heat pump on is 9KW. Other 6KW energizes during emergency heating only.

ELECTRICAL SPECIFICATIONS Continued on Page 4 TABLE 2A

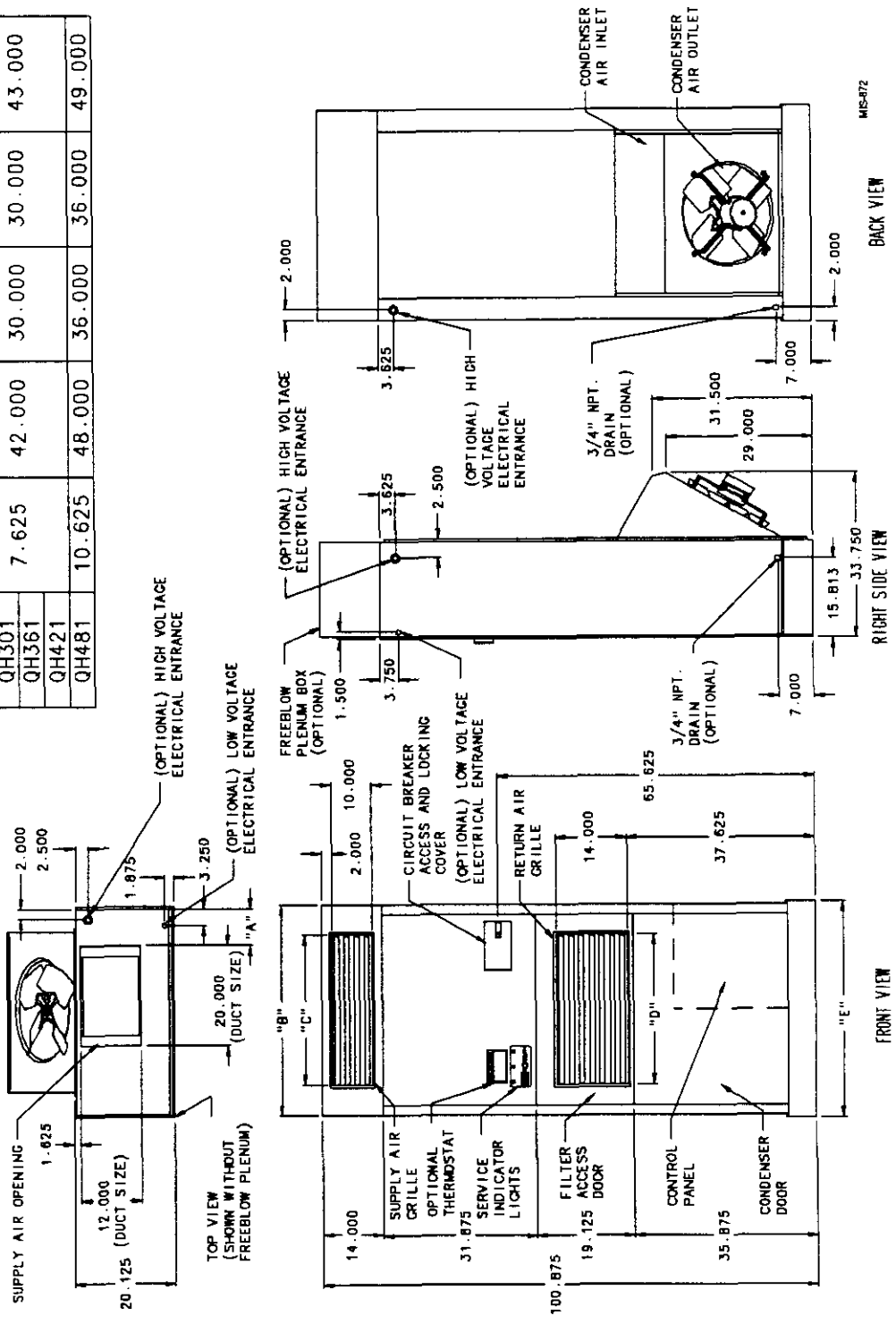
TABLE 2A ELECTRICAL SPECIFICATIONS (continued from Page 3)

MODEL	RATED VOLTS & PHASE	SINGLE CIRCUIT					DUAL CIRCUIT							
		NO. FIELD POWER CIRCUITS	③ MINIMUM CIRCUIT AMPACITY	① MAXIMUM EXTERNAL FUSE OR CIRCUIT BREAKER	② FIELD POWER WIRE SIZE	② GROUND WIRE SIZE	③ MINIMUM CIRCUIT AMPACITY		① MAXIMUM EXTERNAL FUSE OR CIRCUIT BREAKER		② FIELD POWER WIRE SIZE		② GROUND WIRE SIZE	
							CKT. A	CKT. B	CKT. A	CKT. B	CKT. A	CKT. B	CKT. A	CKT. B
QH421DA0Z DA05 DA10 ④ DA15	230/208-1	1	33	50	8	10	--	--	--	--	--	--	--	--
		1	58	60	6	10	--	--	--	--	--	--	--	--
		1 OR 2	83	90	4	8	33	50	40	50	8	8	10	10
		1 OR 2	83	90	4	8	33	50	40	50	8	8	10	10
QH421DB0Z DB06 DB09 ⑤ DB15	230/208-3	1	22	30	10	10	--	--	--	--	--	--	--	--
		1	40	45	8	10	--	--	--	--	--	--	--	--
		1	49	50	8	10	--	--	--	--	--	--	--	--
		1	52	60	6	10	--	--	--	--	--	--	--	--
QH421DC0Z DC06 DC09 ⑤ DC15	460-3	1	16	20	12	12	--	--	--	--	--	--	--	--
		1	25	25	10	10	--	--	--	--	--	--	--	--
		1	30	30	10	10	--	--	--	--	--	--	--	--
		1	30	30	10	10	--	--	--	--	--	--	--	--
QH481DA0Z DA05 DA10 ④ DA15	230/208-1	1	36	60	8	10	--	--	--	--	--	--	--	--
		1	61	70	6	8	36	25	60	25	8	10	10	10
		1 OR 2	86	100	3	6	36	50	60	50	8	8	10	10
		1 OR 2	86	100	3	6	36	50	60	50	8	8	10	10
QH481DB0Z DB05 DB10 ⑤ DB15	230/208-3	1	26	40	8	10	--	--	--	--	--	--	--	--
		1	45	50	8	10	--	--	--	--	--	--	--	--
		1	53	60	6	10	--	--	--	--	--	--	--	--
		1	53	60	6	10	--	--	--	--	--	--	--	--
QH481DC0Z DC06 DC09 ⑤ DC15	460-3	1	16	20	12	12	--	--	--	--	--	--	--	--
		1	26	30	10	10	--	--	--	--	--	--	--	--
		1	30	30	10	10	--	--	--	--	--	--	--	--
		1	30	30	10	10	--	--	--	--	--	--	--	--

- ① Maximum size of the time delay fuse or HACR type circuit breaker for protection of field wiring conductors.
- ② Based on 75° C copper wire. All wiring must conform to the National Electrical Code and all local codes.
- ③ These "Minimum Circuit Ampacity" values are to be used for sizing the field power conductors. Refer to the National Electric Code (latest revision), article 310 for power conductor sizing. CAUTION: When more than one field power conductor circuit is run through one conduit, the conductors must be derated. Pay special attention to Note 8 of Table 310 regarding Ampacity Adjustment Factors when more than three conductors are in a raceway.
- ④ Maximum KW that can operate with heat pump on is 10KW. Other 5KW energizes during emergency heating only.
- ⑤ Maximum KW that can operate with heat pump on is 9KW. Other 6KW energizes during emergency heating only.

FIGURE 1 - UNIT DIMENSIONS

DIMENSION CHART					
UNIT	DIM. A	DIM. B	DIM. C	DIM. D	DIM. E
QH241					
QH301	7.625	42.000	30.000	30.000	43.000
QH361					
QH421					
QH481	10.625	48.000	36.000	36.000	49.000



SHIPPING DAMAGE

Upon receipt of equipment, the carton should be checked for external signs of shipping damage. The skid must remain attached to the unit until the unit is ready for installation. If damage is found, the receiving party must contact the last carrier immediately, preferably in writing, requesting inspection by the carrier's agent.

UNIT REMOVAL FROM SKID

WARNING

This unit is heavy and requires more than one person to handle and remove from the skid. Check unit wheels to ensure that wheels are locked before removing from skid. Extreme caution must be taken to prevent injury to personnel and damage to the unit.

It is recommended that the unit not be removed from the skid with a fork lift since the air seal under the unit could be damaged. See Figure 2.

The shipping brackets on each side of the unit must be removed and discarded. See Figure 3-A. The return air grille panel can be removed to provide a place to hold the unit. The unit can be slid

forward on the skid until the front wheels hang over the edge of the skid. See Figure 3-B. The unit can be tipped forward and slid down the edge of the skid until the front wheels touch the ground. See Figure 3-C. The wheels will not roll. They are shipped from the factory locked so they will not roll. The back of the skid will have to be held down to keep it from tipping up. The skid can be slid out from under the unit. The unit can then be set upright.

FIGURE 2

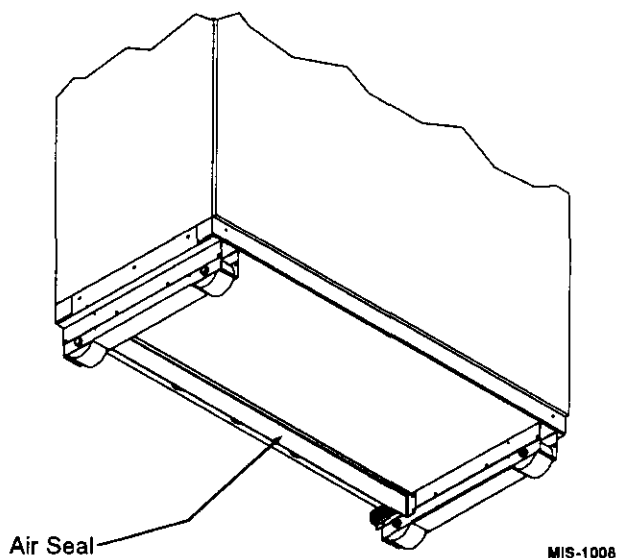
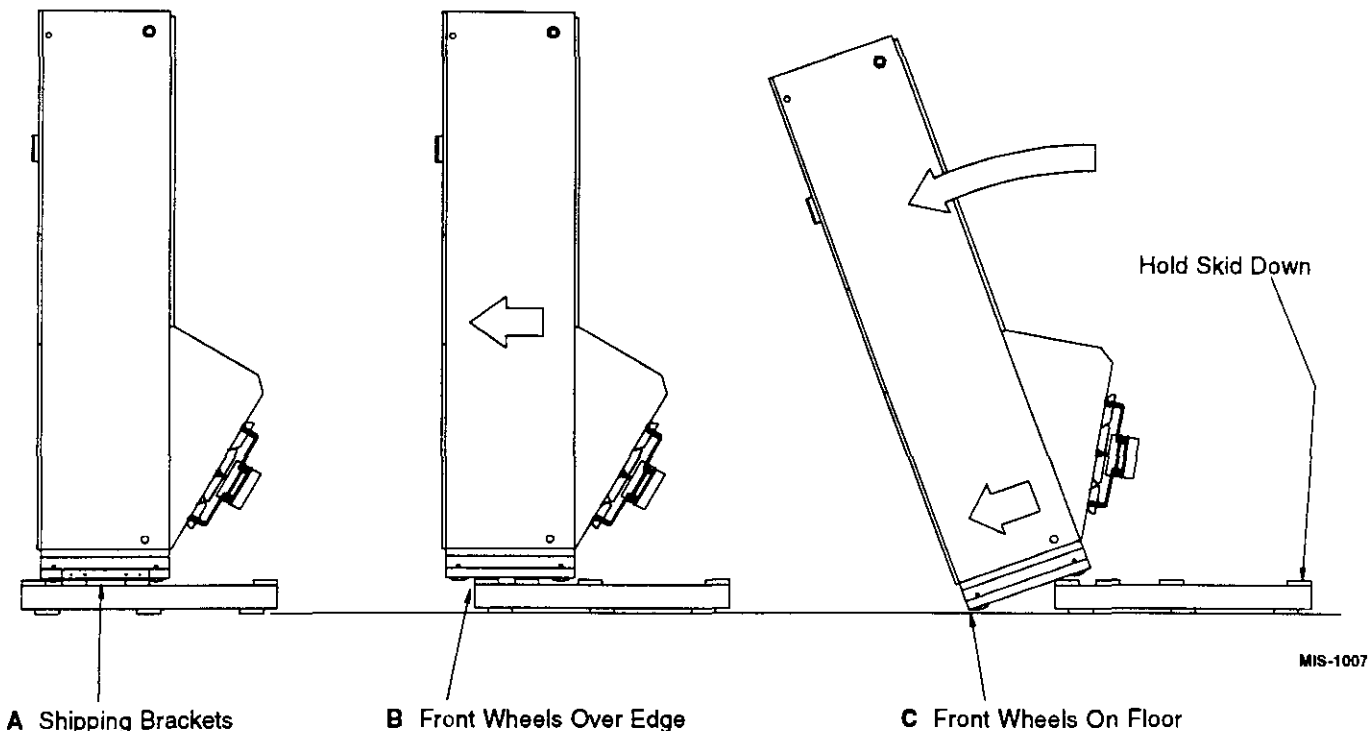


FIGURE 3



HANDLING UNIT AFTER REMOVAL FROM SKID

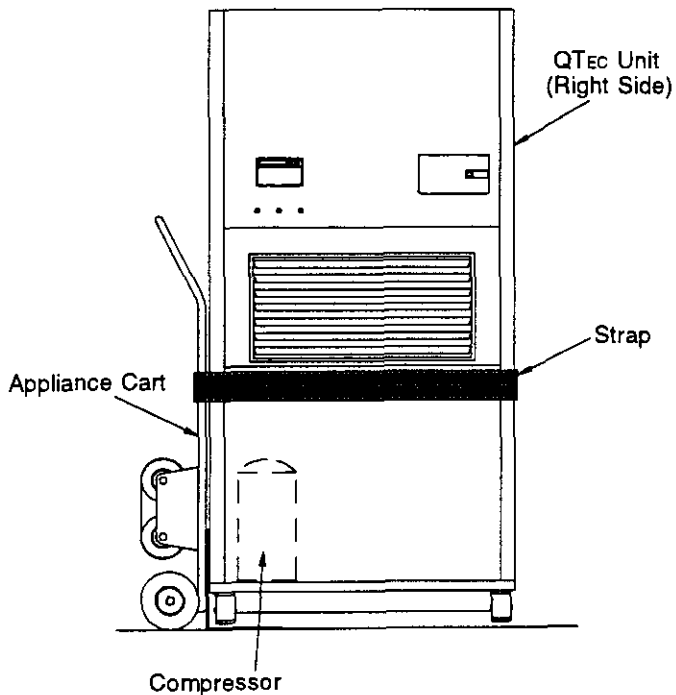
WARNING

Exercise extreme caution when pushing the unit on the rollers. Handle and push from the lower 1/3 of the unit. Insure that debris is not on the floor where the unit is to be moved on the rollers. Failure to do so could result in the unit tipping over and causing bodily injury and/or damage to the unit.

The unit will have to be turned sideways and removed from the skid to fit through a 36" doorway. If the door height allows, the unit can be slid sideways through the door.

If the unit can not be slid through the door, then the unit will have to be put on a cart and tipped down to roll through the door. It is recommended that an appliance cart be used with a strap to hold the unit on the cart. The wheels of the unit *must be locked*. If the wheels were allowed to roll, the unit could roll off the cart. *The unit should always be carted from the left side.* This is the side where the compressor is located. See Figure 4. The blade of the appliance cart should be slid under the wheels of the unit. The strap of the appliance cart should be placed around the unit and strapped tightly. Help will be required to tip the unit back onto the cart. The unit can be leaned far enough back to be rolled through the door. Be careful when setting the unit back up to keep from damaging the unit.

FIGURE 4



MIS-1006

GENERAL

The equipment covered in this manual is to be installed by trained, experienced service and installation technicians.

The unit is designed for use with or without duct work. For use without duct work, Plenum Box QPB42 is recommended.

These instructions explain the recommended method to install the air cooled self-contained unit and the electrical wiring connections to the unit.

These instructions and any instructions packaged with any separate equipment required to make up the entire air conditioning system should be carefully read before beginning the installation. Note particularly "Start Procedure" and any tags and/or labels attached to the equipment.

While these instructions are intended as a general recommended guide, they do not supersede any national and/or local codes in any way. Authorities having jurisdiction should be consulted before the installation is made. See Page 1 for information on codes and standards.

Size of unit for a proposed installation should be based on heat loss calculation made according to methods of Air Conditioning Contractors of America (ACCA). The air duct should be installed in accordance with the Standards of the National Fire Protection Systems of Other Than Residence Type, NFPA No. 90A, and Residence Type Warm Air Heating and Air Conditioning Systems, NFPA No. 90B. Where local regulations are at a variance with instructions, installer should adhere to local codes.

MINIMUM INSTALLATION HEIGHT

The minimum installation height of the unit with a Free Blow Plenum is 8 ft. 6 in. This provides enough clearance for the plenum to be removed. See Figure 5.

The minimum installation height for ducted applications is 8 ft. 4-1/2 in. This provides enough clearance to install the duct work. See Figure 6.

FIGURE 5 - INSTALLATION WITH FREE BLOW PLENUM

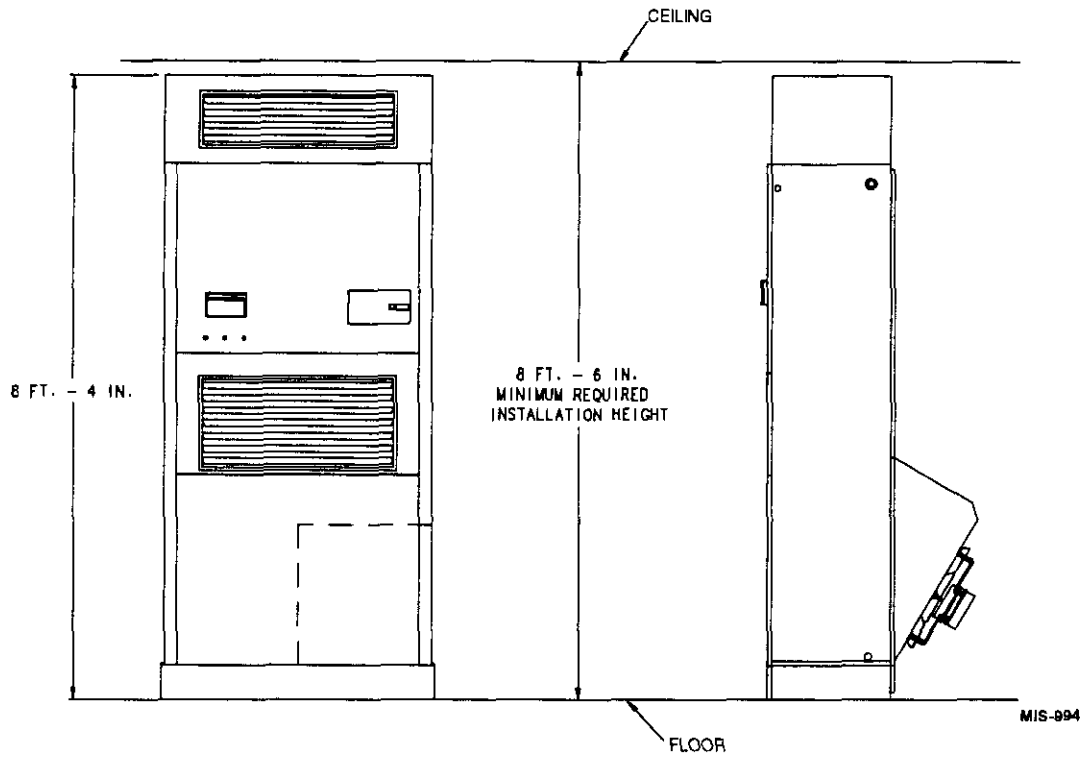
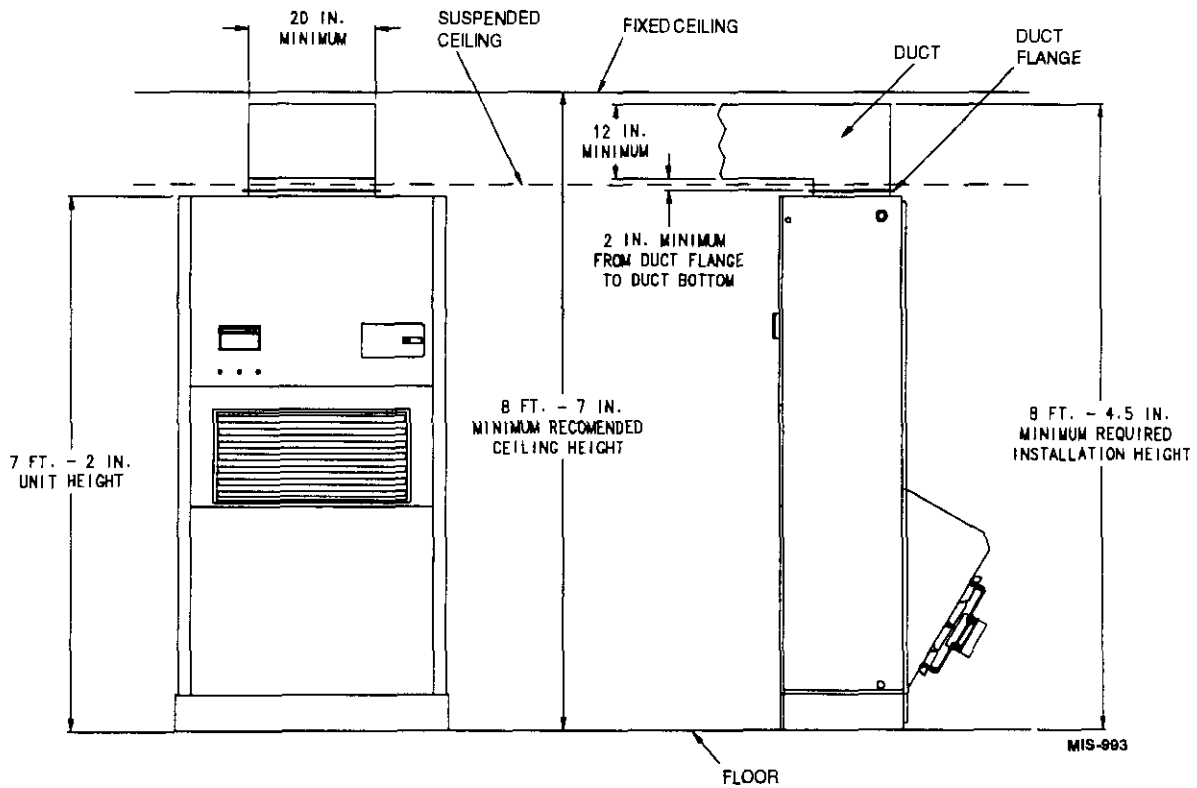


FIGURE 6 - DUCTED APPLICATION



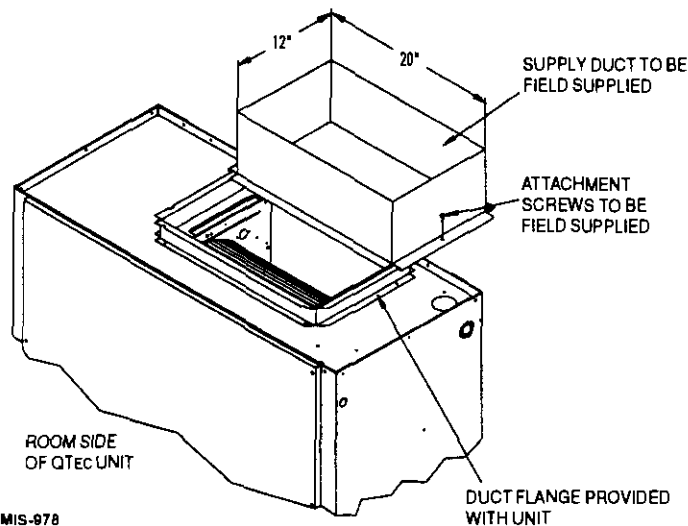
DUCT WORK

Any heat pump is more critical of proper operating charge and an adequate duct system than a straight air conditioning unit. All duct work must be properly sized for the design air flow requirement of the equipment. Air Conditioning Contractors of America (ACCA) is an excellent guide to proper sizing. All duct work or portions thereof not in the conditioned space should be properly insulated in order to both conserve energy and prevent condensation or moisture damage. When duct runs through unheated spaces, it should be insulated with a minimum of one inch of insulation. Use insulation with a vapor barrier on the outside of the insulation. Flexible joints should be used to connect the duct work to the equipment in order to keep the noise transmission to a *minimum*.

The QTEC series heat pump has provision to attach a supply air duct to the top of the unit. Duct connection size is 12 inches x 20 inches. The duct work is field supplied and must be attached in a manner to allow for ease of removal when it becomes necessary to slide the unit out from the wall for service. See Figure 7 for suggested attachment method.

NOTE: Unit cabinet, supply air duct and free blow plenum are approved for "0" clearance to combustible material.

FIGURE 7 - SUPPLY DUCT CONNECTIONS



The QTEC series heat pumps are designed for use with free return (non-ducted) and either free blow with the use of QPB42 Plenum Box or a duct supply air system.

The QPB42 Plenum Box mounts on top of the unit and has both vertically and horizontally adjustable louvers on the front discharge grille.

When used with a ducted supply, a QCX-10 Cabinet Extension can be used to conceal the duct work above the unit to the ceiling. This extends 20" above the unit for a total height above the floor of 10'-7/8". The unit is equipped with a variable speed indoor blower

motor which increases in speed with an increase in duct static pressure. The unit will therefore deliver proper rated air flow up to the Maximum ESP shown in Table 8. However, for quiet operation of the air system, the duct static should be kept as low as practical, within the guidelines of good duct design.

FILTERS

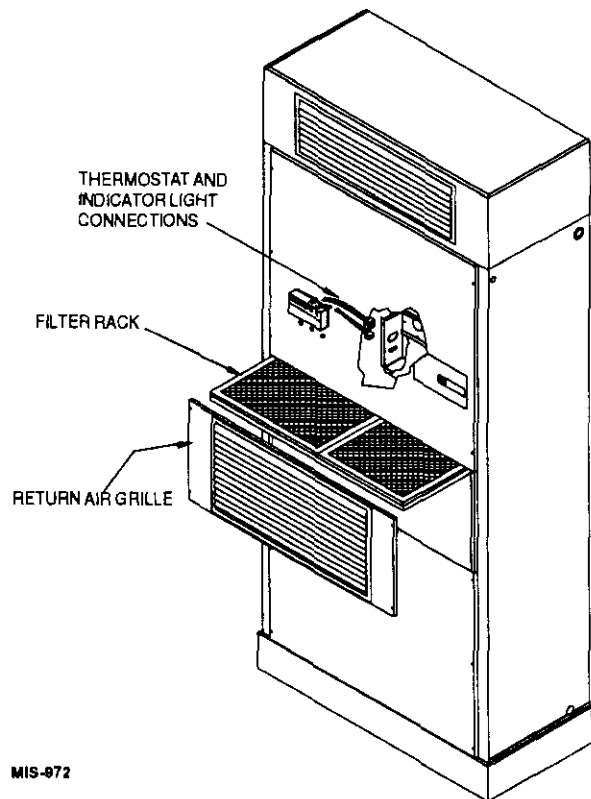
Two 1 inch throw away filters [(1) 16x16 and (1) 16x20] are supplied with each unit. An indicator light on the front exterior panel of the unit will be lit when the filters require service. The filters fit into a rack that slides into position. Refer to Figure 8.

The filters are serviced from the inside of the building by removing the return air grille panel. This panel is attached by four (4) 1/4 turn fasteners. The return air grille panel is equipped with a door switch that will shut the unit down while the filters are being serviced.

Once the filters are replaced, the dirty filter sensor must be reset to turn the indicator light off. The sensor is located on the right side of the unit just below the filter rack. See Figure 8. The knob on the front of the sensor should be turned clockwise to reset the sensor.

The internal filter brackets are adjustable to accommodate 2 inch filters. The tabs for the 1 inch filters must be bent down to allow the 2 inch filters to slide in place.

FIGURE 8 - FILTER LOCATION



FRESH AIR INTAKE

The fresh air damper assembly is standard equipment with the unit because of the variety of state or local codes requiring fresh air capability. It is shipped already attached to each unit.

All capacity, efficiency and cost of operation information as required for Department of Energy "Energyguide" Fact Sheets is based upon the fresh air blank-off plate in place and is recommended for maximum energy efficiency.

The blank-off plate is available upon request from the factory and is installed in place of the fresh air damper shipped with each unit.

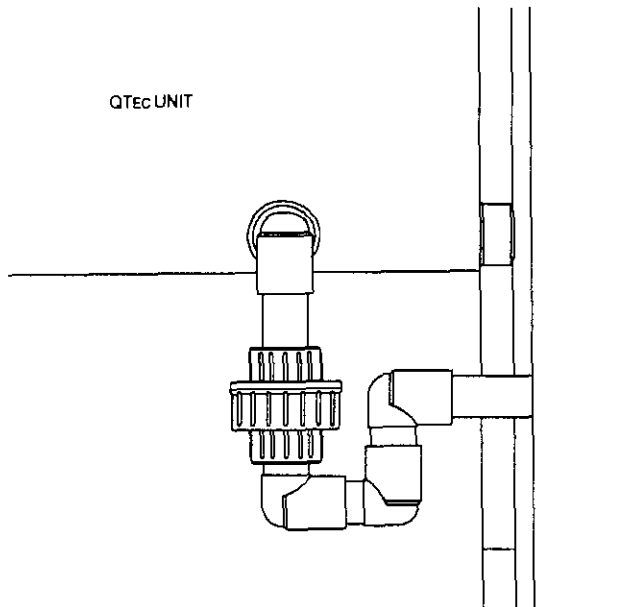
For details on energy recovery ventilation see separate section.

CONDENSATE DRAIN

There are two drain connections on the unit. The side drain is located on the bottom right side of the unit. The rear drain is an optional drain, and is located on the right lower rear panel of the unit. The rear drain is shipped with a plug installed.

The *side drain* requires a water trap for proper drainage. See Figure 9. The drain can be routed through the floor or through the wall. *If the drain is to be routed through an unconditioned space, it must be protected from freezing.* The drain line must be able to be removed from the unit if it is necessary to remove the unit from the wall.

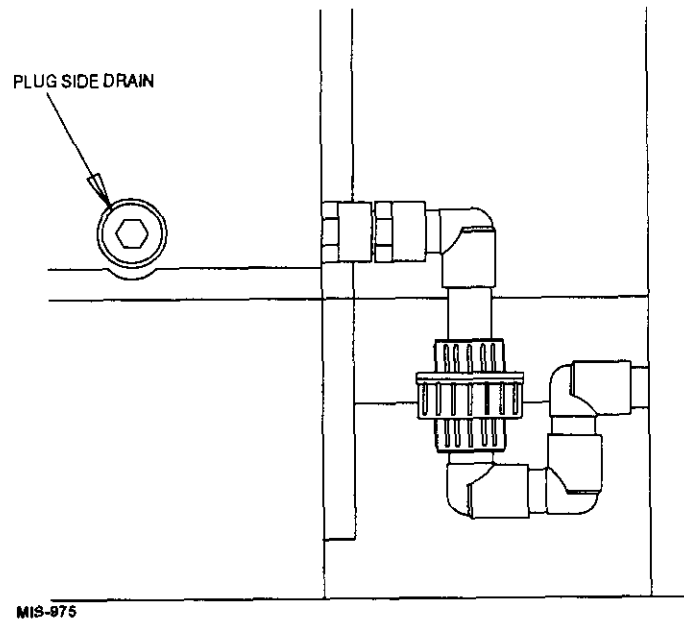
FIGURE 9 – SIDE DRAIN (SIDE VIEW)



MIS-976

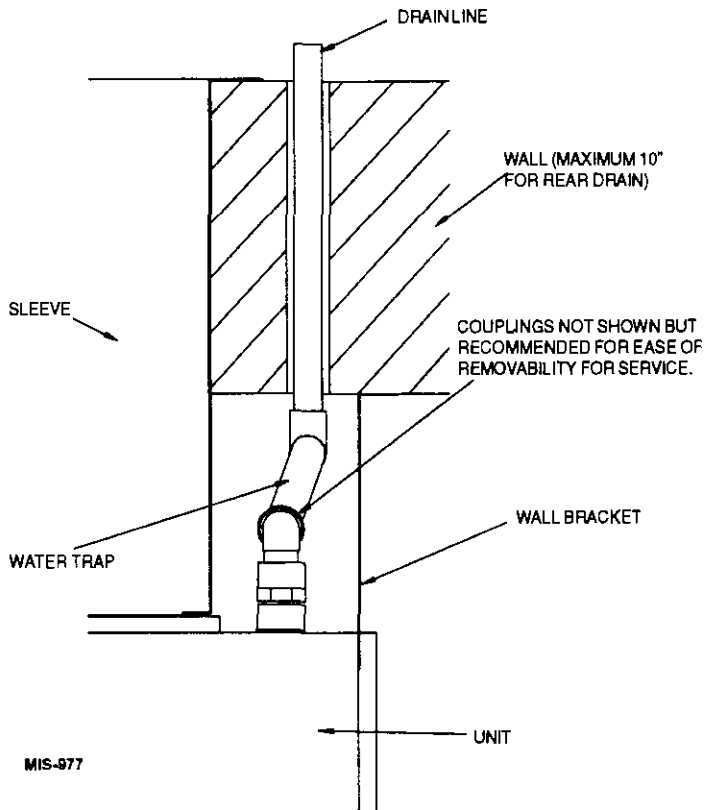
The *rear drain* can be used with wall thickness of up to 10 inches where a water trap can be installed between the unit and the interior wall. See Figure 10. The trap cannot extend beyond the edge of the unit or it will interfere with the wall mounting bracket. When the rear drain is used, the plug must be removed and installed in the side drain. The drain can be routed through the floor or through the wall. If the drain is routed through the wall, the drain line must be positioned such that it will not interfere with the sleeve flange or the grille. See Figure 11. *If the drain is to be routed through an unconditioned space, it must be protected from freezing.*

FIGURE 10 – OPTIONAL REAR DRAIN



MIS-975

FIGURE 11 – REAR DRAIN (TOP VIEW)



SERVICE LIGHTS

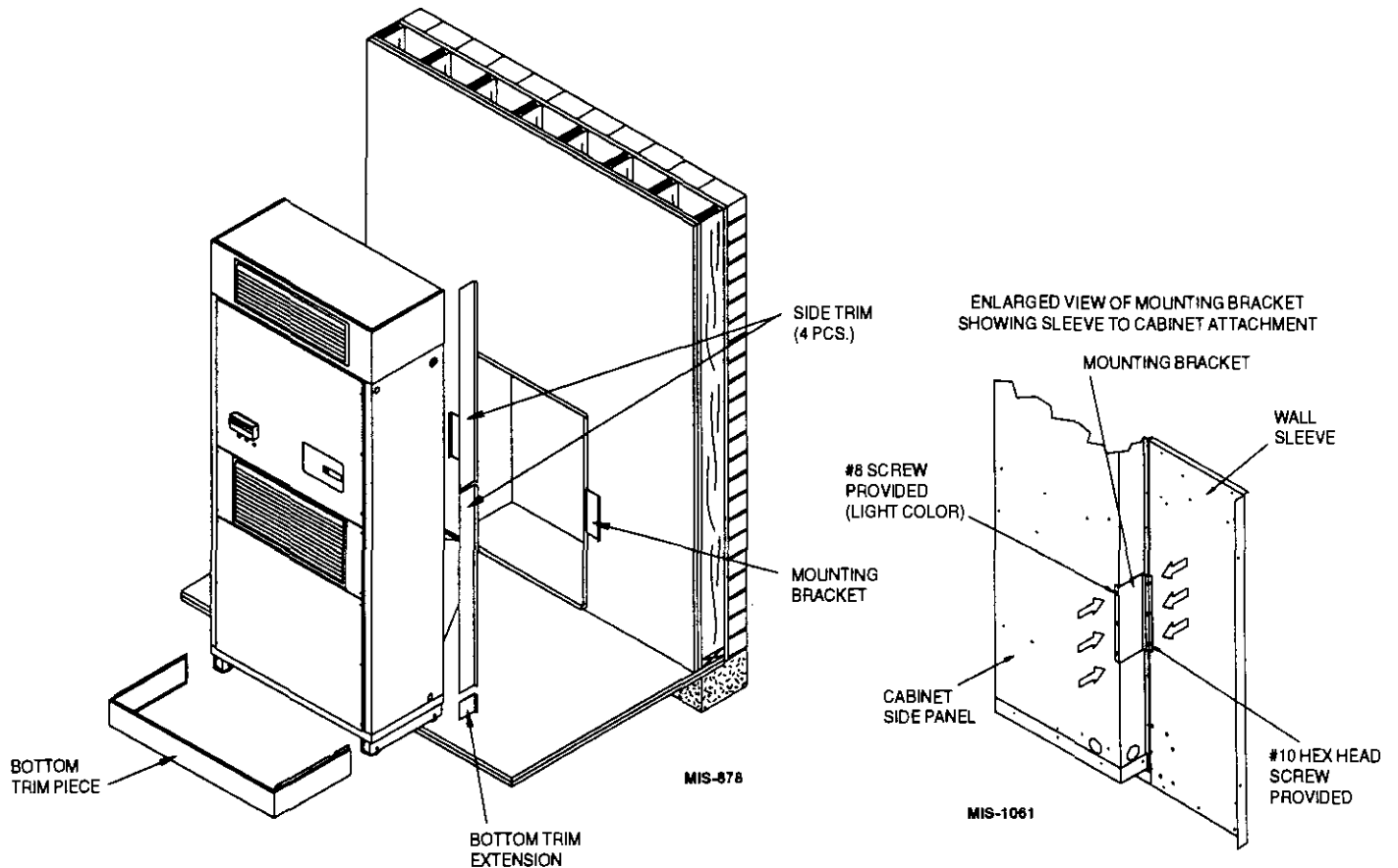
The unit is equipped with three service lights which signal the user that service is required. These lights are labeled Service Condensate Drain, Service Filter, and Service Unit.

The *Service Condensate* light indicates that there is water in the secondary drain pan and that the primary drain must be checked. This also shuts the unit off so that no additional water will be added which would cause the drain pan to overflow.

The *Service Filter* light indicates that the filters need to be changed. See the Filter section of this manual for service procedure.

The *Service Unit* light indicates that the unit has been shut off by a refrigerant control device. This indicates that the unit needs to be serviced.

FIGURE 12 – UNIT MOUNTING



Installation Instructions

MOUNTING THE UNIT

When installing a QTEC unit near an interior wall on the left side, a minimum of 8 inches is required; 12 inches is preferred.

When installing a QTEC unit near an interior wall on the right side, a minimum of 18 inches is required as additional space is required to connect the side drain. If the rear condensate drain kit QCDS48 is used the minimum can be reduced to 8 inches.

This clearance is required to allow for the attachment of the unit to the sleeve and side trim pieces to the wall.

This unit is to be secured to the wall sleeve with mounting brackets provided. The unit itself, the supply duct and the free blow plenum are suitable of "0" clearance to combustible material.

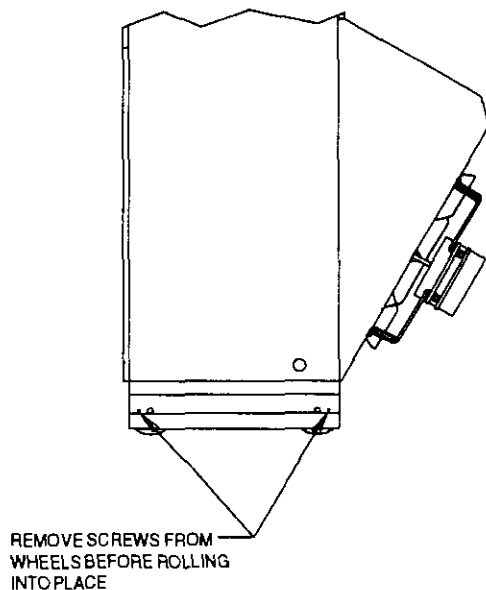
Following are the steps for mounting the QTEC, for reference see Figure 12 (page 10).

1. Attach mounting brackets to the wall sleeve with screws provided.
2. Position the unit in front of the sleeve with the condenser section toward the sleeve.

3. Remove the locking screws from the wheels. Refer to Figure 13.
4. Roll the unit into the sleeve. Make sure to check both sides of the units as it is being rolled to keep it centered in the sleeve. Also check the alignment to the mounting brackets.
5. Make sure the gasket on the rear of the unit is touching the sleeve across the top and down both sides. This is a rain water seal.
6. Secure the mounting brackets to the unit with screws provided, #10 hex head sheet metal screws.
7. Bottom trim extensions are provided for use when wall is less than 14 inches but greater than 12 inches. Secure to wall with screws (not provided).
8. Attach the bottom trim piece to the unit with the screws provided (dark colored).
9. Position side trim pieces to the wall and attach with field supplied screws. The side trim is supplied in four pieces. The top pieces may be cut off to suit your height requirements.

NOTE: If the exterior wall thickness is between 5 inches to 12 inches, a side trim extension piece kit, model QSTX42, is available.

FIGURE 13



MIS-1016

WIRING – MAIN POWER

Refer to the unit rating plate and/or Table 2 for wire sizing information and maximum fuse or “HACR Type” circuit breaker

Each unit is marked with a “Minimum Circuit Ampacity”. This means that the field wiring used must be sized to carry that amount of current. Depending on the installed KW of electric heat, there may be two field power circuits required. If this is the case, the unit serial plate will so indicate. All models are suitable only for connection with copper wire. Each unit and/or wiring diagram will be marked “Use Copper Conductors Only”. These instructions **MUST BE** adhered to. Refer to the National Electrical Code (NEC) for complete current carrying capacity data on the various insulation grades of wiring material. All wiring must conform to NEC and all local codes.

The electrical data lists fuse and wire sizes (75° C copper) for all models, including the most commonly used heater sizes. Also shown are the number of field power circuits required for the various models with heaters.

The unit rating plate lists a “Maximum Time Delay Relay Fuse” or “HACR Type” circuit breaker that is to be used with the equipment. The correct size must be used for proper circuit protection, and also to assure that there will be no nuisance tripping due to the momentary high starting current of the compressor motor.

The disconnect access door on this unit may be locked to prevent unauthorized access to the disconnect.

See Start Up section for information on three phase scroll compressor start-ups.

The field wiring connections are located behind the top panel in the circuit breaker panel. The return air panel must be removed first. This panel is equipped with a door switch which shuts the unit down when it is removed. The filter rack must be removed next. *The connections for the thermostat and the indicator lights must be disconnected before the top panel can be removed.* See Figure 14. The connections are located behind the top panel.

The top panel should remain fastened to the unit until the connectors have been disconnected, or damage to the connectors may occur. The locking tabs on either side of the connectors must be released. The connector can be pulled straight out of the socket. Once all the connectors have been removed, the top panel can be removed.

WIRING – LOW VOLTAGE WIRING

230/208V, 1 PHASE AND 3 PHASE EQUIPMENT DUAL PRIMARY VOLTAGE TRANSFORMERS.

All Equipment leaves the factory wired on 240V tap. For 208V operation, reconnect from 240V to 208V tap. The acceptable operating voltage range for the 240 and 208V taps are as noted in Table 3.

TABLE 3 – OPERATING VOLTAGE RANGE

TAP	RANGE
240V	253 - 216
208V	220 - 187

NOTE: The voltage should be measured at the field power connection point in the unit and while the unit is operating at full load (maximum amperage operating condition).

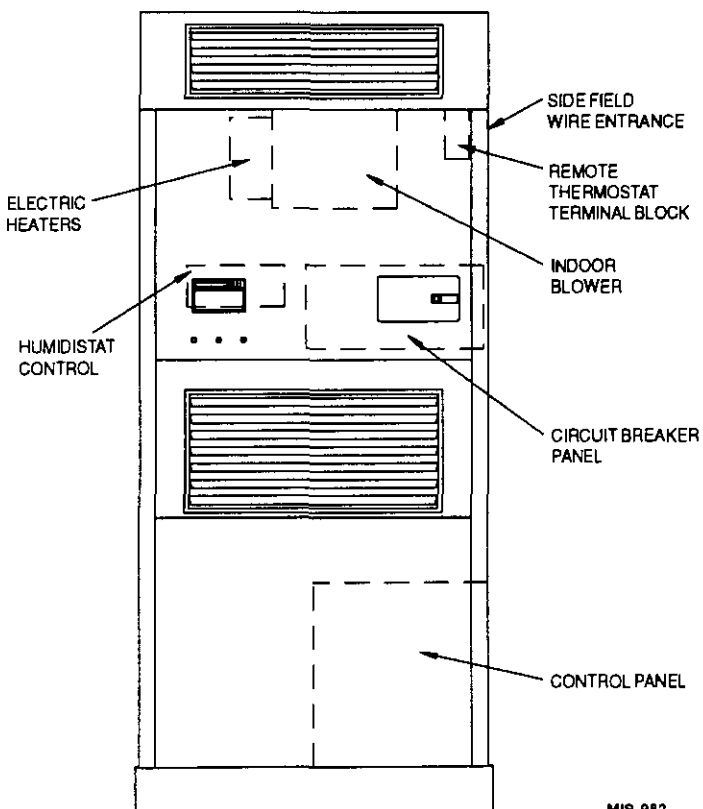
The standard climate control option is a remote thermostat connection terminal block. See Figure 15 for wiring diagram. Compatible thermostats are listed in Table 4.

The Climate Control *Option E* is an electronic, programmable thermostat and a humidistat. The sub base of the thermostat and the humidistat are factory wired to the front panel of the unit. Compatible for use with Energy Recovery Ventilator or Economizer.

TABLE 4 – WALL THERMOSTATES AND SUBBASE COMBINATIONS

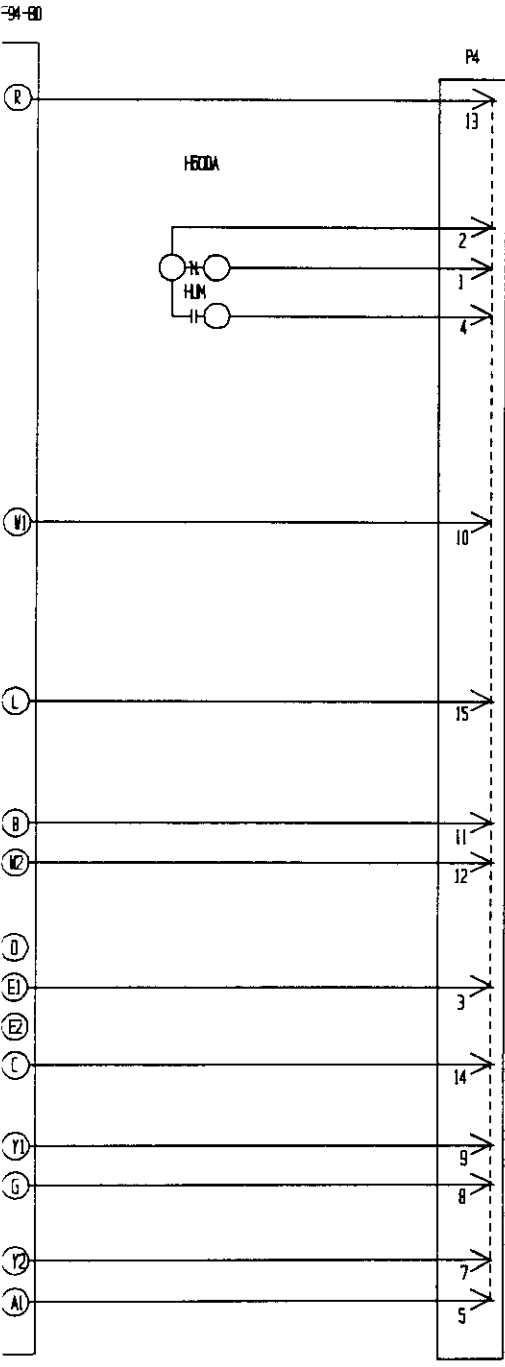
Thermostat	Subbase	Predominant Features
8403-018 (T874N1024)	8404-010 (Q6741261)	Automatic Heat/Cool (2) Changeover Position
8403-034 (1F94-80)	N/A	Programmable Heat/Cool Electronic
8403-038 (H600A)	N/A	Humidistat

FIGURE 14 – COMPONENT LOCATION

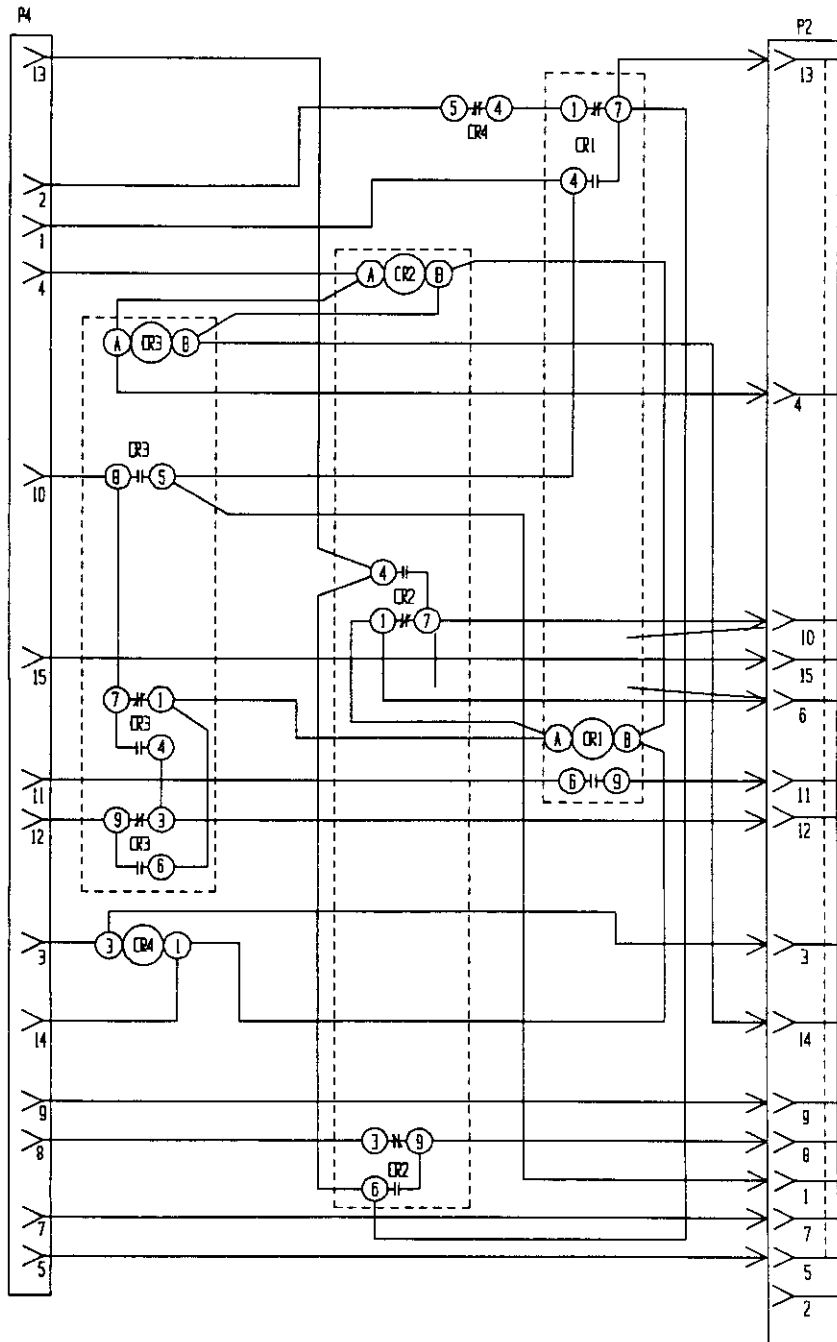


MIS-982

FIGURE 15 - THERMOSTAT WIRING DIAGRAM

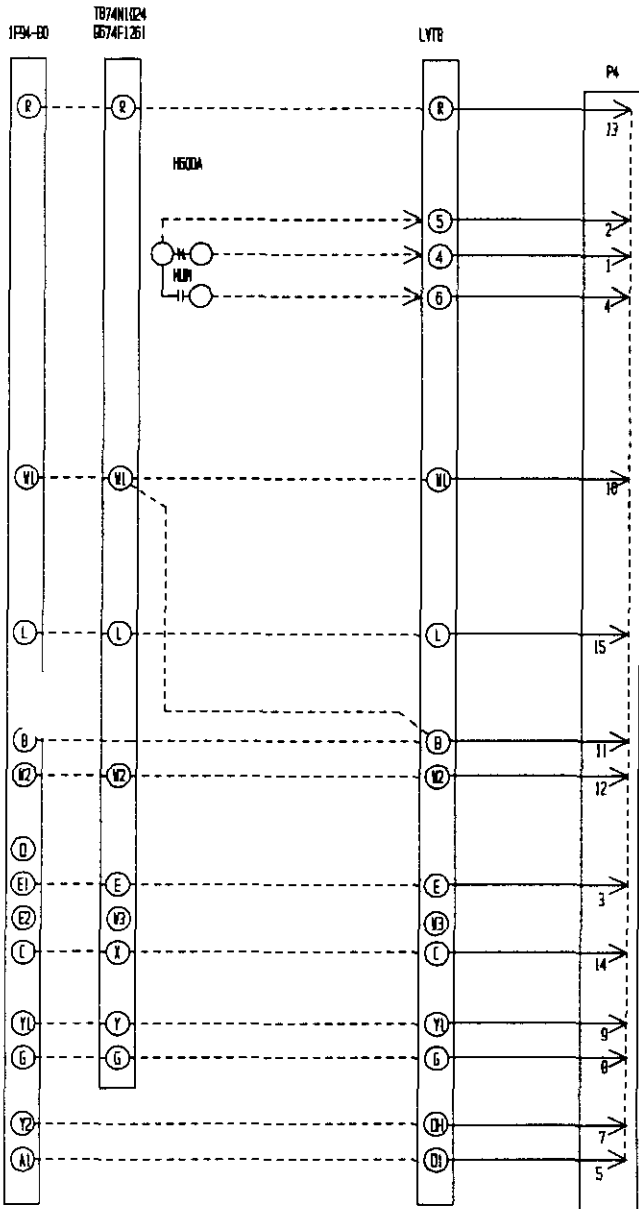


DEHUMIDIFICATION MODULE

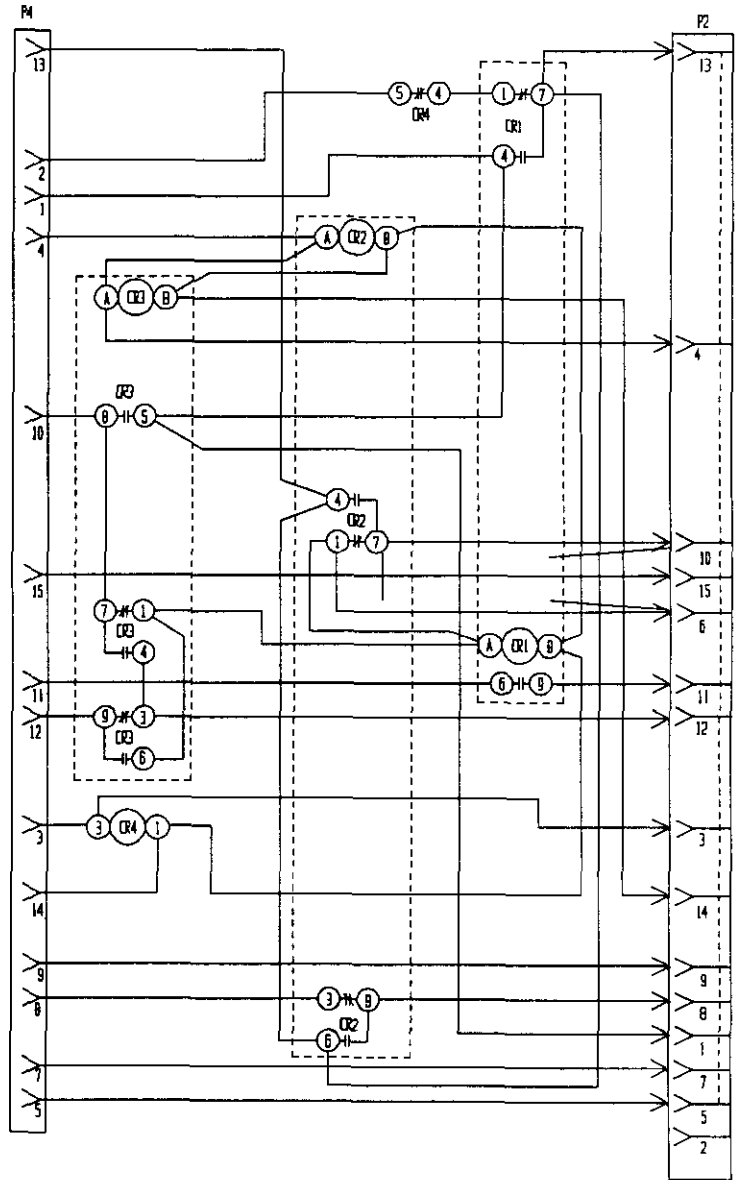


MIS-1157

FIGURE 15A - REMOTE THERMOSTAT WIRING DIAGRAM



DEHUMIDIFICATION MODULE



MIS-1156

DESCRIPTION OF STANDARD EQUIPMENT

Solid State Electronic Heat Pump Control

Provides efficient 30 minute defrost cycle. A thermistor sensor and speed up terminal for service along with a 10 minute defrost override are standard on the electronic heat pump control.

High / Low Pressure Switch

Provides refrigerant circuit high pressure and loss of charge protection. Includes lockout circuit that is re-settable from room thermostat.

Five Minute Compressor Time Delay

Provides short cycle protection for the compressor which extends compressor life. Built into the electronic heat pump control as standard.

Service Lights

3 service lights indicate when service is required.

- System Service – detects high or low pressure switch operation for compressor protection.
- Filter Service – detects a dirty filter condition.
- Drain Service – detects a clogged drain by detecting water in the secondary drain system. Shuts system down until corrective action is taken.

Two Speed Outdoor Motor

Has two speeds and is controlled by an outdoor thermostat.

Interlock Door Switch

When the service door is removed, automatically shuts the unit down.

OPTIONAL CFM (QH361, QH421 and QH481 ONLY)

These units are shipped from the factory set to operate at the optional CFM level shown in Table 9. This provides lower operating sound levels for non-ducted, free discharge applications. This CFM level will reduce the system capacity performance by approximately 2% at the same energy efficiency.

Rated CFM is required for ducted applications for maximum performance rating. To obtain full CFM on these models, connect jumper wire as follows:

1. Disconnect all power to the unit. Failure to do so may result in damage to the motor.
2. Remove Return Air access panel.
3. Remove Filter Rack.
4. Unplug Service Lights and Thermostat Options. (See Figure 3.)
5. Remove upper door.
6. Remove inner control panel cover.
7. Add pink jumper wire (provided) to terminal 5 and 6 on the terminal board.
8. Reverse steps to reassemble.

IMPORTANT INSTALLER NOTE

For improved start-up performance, wash the indoor coil with a dishwasher detergent.

THREE PHASE SCROLL COMPRESSOR START UP INFORMATION

Scroll compressors, like several other types of compressors, will only compress in one rotational direction. Direction of rotation is not an issue with single phase compressors since they will always start and run in the proper direction.

However, three phase compressors will rotate in either direction depending upon phasing of the power. Since there is a 50-50 chance of connecting power in such a way as to cause rotation in the reverse direction, **verification of proper rotation must be made.** Verification of proper rotation direction is made by observing that suction pressure drops and discharge pressure rises when the compressor is energized. Reverse rotation also results in an elevated sound level over that with correct rotation, as well as, substantially reduced current draw compared to tabulated values.

Verification of proper rotation must be made at the time the equipment is put into service. If improper rotation is corrected at this time there will be no negative impact on the durability of the compressor. However, reverse operation for over one hour may have a negative impact on the bearing due to oil pump out.

NOTE: If compressor is allowed to run in reverse rotation for several minutes the compressor's internal protector will trip.

All three phase scroll compressors used in the QTEC series are wired identically internally. As a result, once the correct phasing is determined for a specific system or installation, connecting properly phased power leads to the same Fusite terminal should maintain proper rotation direction. The direction of rotation of the motor may be changed by reversing any two line connections to the unit.

SERVICE HINTS

1. Caution user to maintain clean air filters at all times. Also, not to needlessly close off supply air registers. This may reduce air flow through the system, which shortens equipment service life as well as increasing operating costs and noise levels.
2. Switching to heating cycle at 75°F or higher outside temperature may cause a nuisance trip of the remote reset high pressure switch. Turn thermostat off, then on to reset the high pressure switch.
3. The heat pump wall thermostats perform multiple functions. Be sure that all function switches are correctly set for the desired operating mode before trying to diagnose any reported service problems.
4. Check all power fuses or circuit breakers to be sure they are the correct rating.
5. Periodic cleaning of the outdoor coil to permit full and unrestricted airflow circulation is essential.
6. Some service requires the need to remove the unit from the wall including replacement of the indoor coil and/or the outdoor coil. Also servicing the outdoor fan motor or fan blade will require removing the unit from the wall if the unit is installed at a height that is not easily accessible from the outside of the building.

In order to remove the unit from the wall the following procedure must be used:

- a. Turn off power to the unit at the remote location. Some units may have more than one power supply.
- b. Disconnect field wiring at unit terminal block and remove from unit.
- c. Disconnect condensate drain.
- d. Remove the lower skirting around the unit.
- e. Remove wall mounting brackets from wall on each side of the unit.
- f. If unit is attached to duct work, remove upper cabinet extension by removing the top center screw only from the cabinet side panel.
- g. Remove screws that attach the duct work to the unit flanges.

This unit is equipped with four rollers mounted to the base. For ease of pulling unit out from the wall, you may want to remove the bottom service door which requires removal of the return air panel, and grip the front flange of the base pan then pull straight out.

7. Annual maintenance is required to make sure that all of the systems are functioning properly.
 - a. Check to make sure that the drains are not obstructed in any way.
 - b. Check the water level switch operation.
 - c. Remove any debris in the condenser section of the unit.
 - d. Inspect and clean mist eliminator as described below.
 - e. Inspect and wash outdoor coil as necessary.

MIST ELIMINATOR SERVICE

A fresh air filter / mist eliminator is supplied with the wall sleeve. The filter is constructed of an aluminum frame and mesh. The filter is located in the top section of the wall sleeve. The filter can be removed and serviced from inside the building without removing the unit from the wall.

The filter can be cleaned by washing with soap and water. The excess water should be shaken off the filter and it can be reinstalled. It is recommended that the outdoor filter be serviced at the same time as the return air filter.

The ventilation package will have to be removed to gain access to the filter. If the blank off plate option is used, it is not necessary to service the filter. The steps necessary to remove each of the vent options are listed below.

BAROMETRIC FRESH AIR DAMPER (STANDARD)

Before starting make sure the power has been turned off. The return air grille panel must be removed. The fresh air damper assembly can be seen on the back of the unit.

1. The fresh air damper is attached to the back of the unit with one screw on either side of the assembly. Both of the screws must be removed. (Refer to Figure 16.)
2. Once the mounting screws are removed, tilt the assembly down and lift it out.

The outdoor air filter can be seen through the opening. The return air filter must be raised up and the bottom can be pulled toward the front of the unit.

ECONOMIZER (OPTION)

Before starting make sure the power has been turned off. The return air grille panel must be removed. The economizer (ECON) can be seen after the panel has been removed.

1. The two mounting screws in the front of the ECON must be removed.
2. The power connectors for the ECON (located on the right side of the unit) must be disconnected. Squeeze the tabs on the sides of the connector and pull straight out. Unplug both of the connectors.
3. Slide the ECON straight out of the unit.

The outdoor air filter can be seen through the opening in the back of the unit. The air filter must be raised up and the bottom can be pulled toward the front of the unit and removed.

COMMERCIAL ROOM VENTILATOR (OPTION)

Before starting make sure the power has been turned off. The return air grille panel must be removed. The commercial room ventilator (CRV) can be seen after the panel has been removed. The CRV must be removed to gain access to the outdoor air filter.

1. The two mounting screws in the front of the CRV must be removed.
2. The power connectors for the CRV (located on the right side of the unit) must be disconnected. Squeeze the tabs on the sides of the connector and pull straight out. Unplug both of the connectors.
3. Slide the CRV straight out of the unit.

The outdoor air filter can be seen through the opening in the back of the unit. The air filter must be raised up and the bottom can be pulled toward the front of the unit and removed.

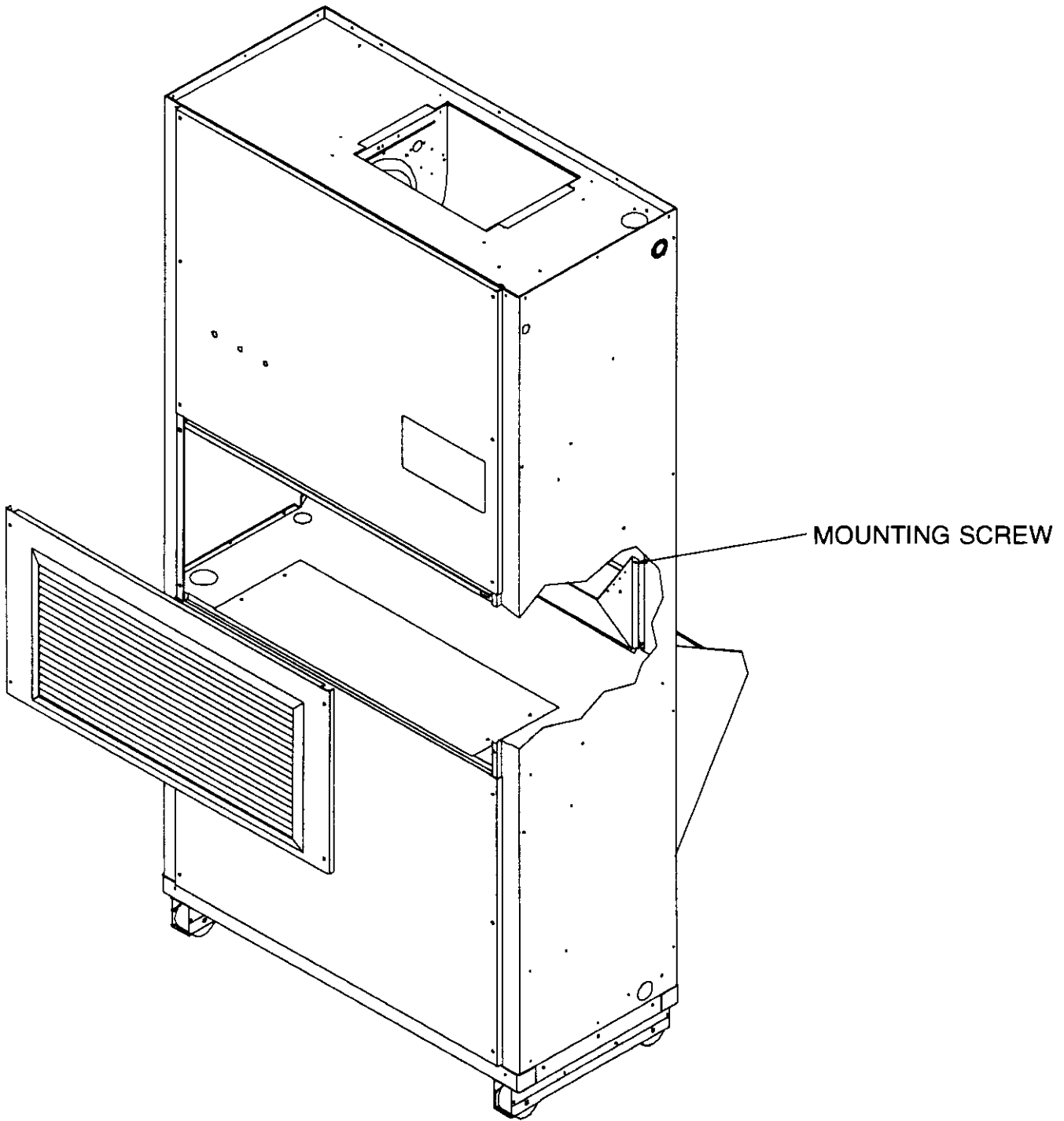
QTEC ENERGY RECOVERY VENTILATOR (OPTION)

Before starting make sure that the power has been turned off. The return air grille panel must be removed. The energy recovery ventilator (QERV) can be seen after the panel has been removed. To gain access to the air filter, the QERV must be removed. (Refer to Figure 17.)

1. The front fill plate of the QERV must be removed. There is one screw on either side of the plate. Remove these screws and remove the plate.
2. On either side of the QERV there are mounting screws that hold the QERV in place. Remove both of these screws.
3. Underneath the heat recovery cassette there is a power connector for the lower blower assembly. To disconnect this plug the tabs on both sides of the plug must be squeezed to release the plug. While squeezing the tabs pull the plug out of the socket.
4. The QERV is plugged into the unit on the right side of the unit both of these plugs must be disconnected to remove the QERV. Squeeze the tabs on the sides of the connector and pull straight out.
5. Slide the QERV assembly straight out of the unit being careful not to let the cassette slide out of the QERV.

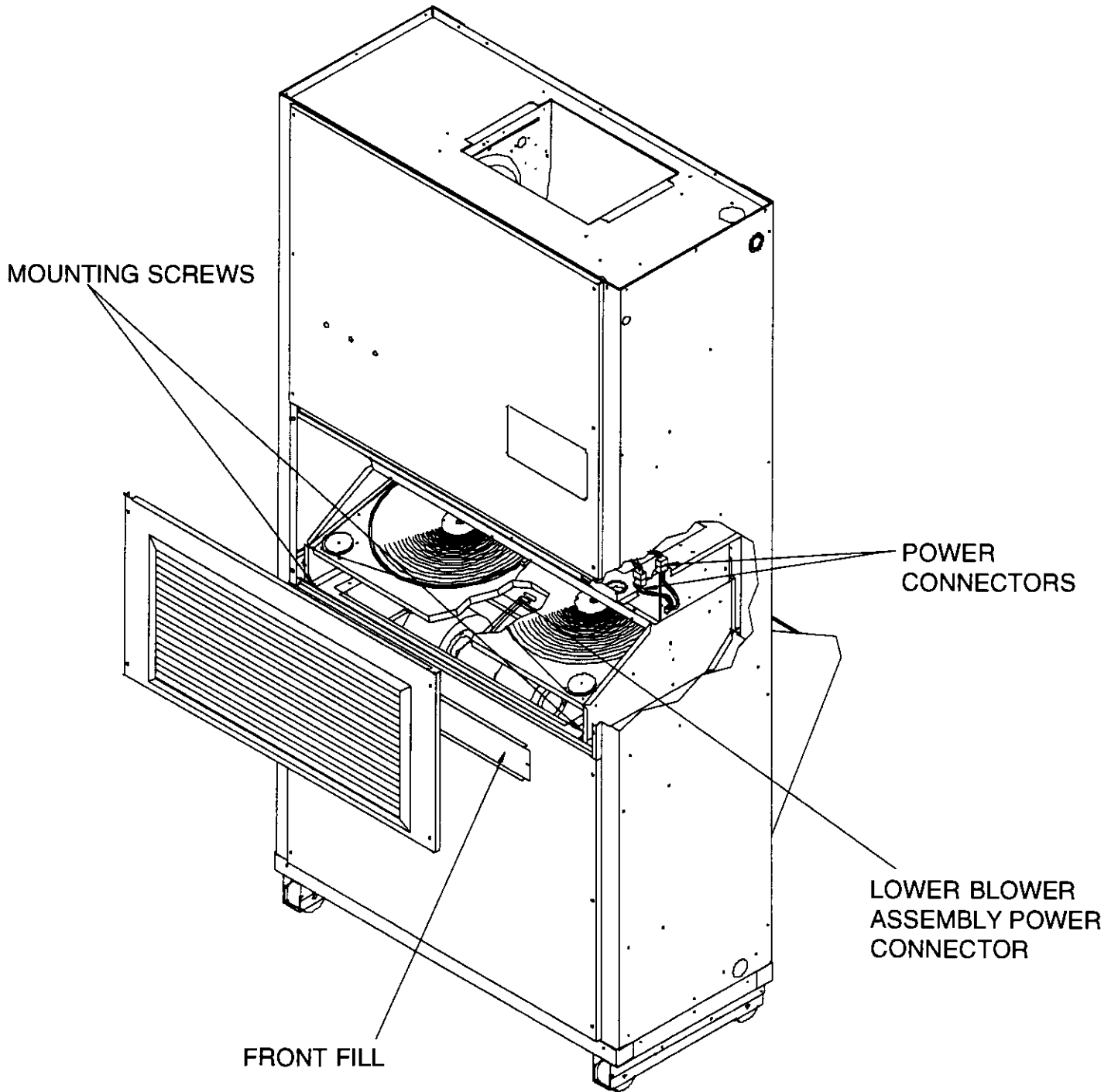
The outdoor air filter can be seen through the opening in back of the unit. The air filter must be raised up and the bottom can be pulled toward the front of the unit and removed.

FIGURE 16
FRESH AIR DAMPER REMOVAL



MIS-1038

FIGURE 17
QERV REMOVAL



MIS-1039

SEQUENCE OF OPERATION

Cooling – Circuit R-Y makes the thermostat pull in the compressor contactor starting the compressor and outdoor motor. The G (indoor motor) circuit is automatically completed on any call for cooling operation, or can be energized by manual fan switch on subbase for constant air circulation.

Heating – A 24V solenoid coil on reversing valve controls heating cycle operation. Two thermostat options, one allowing “Auto” change over from cycle to cycle and the other constantly energizing solenoid coil during heating season and thus eliminating pressure equalization noise except during defrost, are to be used on “Auto” option, a circuit is completed for R-W1 and R-Y on each heating “on” cycle, energizing reversing valve solenoid and pulling in compressor contactor starting compressor and outdoor motor. R-G also makes starting indoor blower motor. Heat pump heating cycle now in operation.

The second option has no “Auto” change over position, but instead energizes the reversing valve solenoid constantly whenever the system switch on subbase is placed in “Heat” position, the “B” terminal being constantly energized from R. A thermostat demand for heat completes R-Y circuit, pulling in compressor contactor starting compressor and outdoor motor. R-G also make starting indoor blower motor.

Reheat Circuit There is a small capillary tube inserted between the reheat coil return line and suction line that will prevent liquid from accumulating in the reheat coil when it is inactive. This drain does not affect the normal operation of the system.

There is a check valve located in the reheat coil return line. It has a soft spring to hold the ball on the seat. This will make the method of checking the ball freedom with a magnet difficult. Refer to Figures 18 and 19 for the location of the check valve and drain back capillary.

When the system is operating in the dehumidification mode the suction pressure will be reduced by 4 to 8 psig and the discharge pressure will be reduced by 19 to 22 psig.

High / Low Pressure control provides protection for the compressor. In the advent system pressures go above 350 PSI or below 15 PSI in either cooling or heating mode the compressor will be stopped. This will activate the right hand red light marked “System Service” on the front of the unit. The lockout circuit will hold compressor off line. When the system problem is corrected, the unit operation can be restored by turning of the main power supply off and then back on, or reset the room thermostat. The low pressure control has a bypass to eliminate nuisance lockout on cold start up.

Two Speed Outdoor Fan Motor There is a thermostat located in the main electrical box that controls the switching between high and low speed. When in cooling mode and the outdoor ambient temperature is above 80 degrees, the outdoor motor will run on high speed; below 80 degrees, it will run on low speed. In heating mode the outdoor fan will always run in high speed.

Door Interlock Switch When the center cabinet panel (the one with the return air grille) is removed, the interlock switch will shut down the whole unit. When this panel is replaced, the unit will be able to start up. *NOTE: This panel must be removed before either of the remaining upper or lower panels can be removed.*

Dirty Filter Switch When the filters become dirty, the dirty filter switch will activate the center light marked “Filter Service” on the front of the cabinet. After the dirty filters have been replaced the *dirty filter switch* must be reset by turning the reset knob counter clockwise.

Five Minute Compressor Time Delay This delay is built into the electronic heat pump control. It provides short cycle protection for the compressor.

Clogged Drain Switch This switch is mounted in the bottom of the unit behind the lower electrical box with a probe extending above the unit base pan. In the advent the drains become clogged, this switch will shut down the unit before the water level in the unit base becomes high enough to allow water to enter the indoor side. This will activate the left hand red service light marked “Drain Service” on the front of the unit. When the clogged drain is corrected and the water level in the unit base pan is at an acceptable level, the unit will start up. The switch should be operated manually at least once a year to insure the float is free to rise in the event of high water level.

OPTIONAL CLIMATE CONTROLS SEQUENCE OF OPERATION

The Climate Control *Option E* is an electronic, programmable thermostat and a humidistat. This unit has a refrigerant reheat circuit that is controlled by a 3-way valve.

When the humidity is above the setpoint of the humidistat, the compressor circuit and the 3-way valve are energized and the evaporator air flow is reduced. The 3-way valve directs hot discharge gas into a separate desuperheating condenser circuit that reheats the conditioned air before it is delivered to the room. When the humidistat is satisfied, the system switches back to normal air conditioning mode.

If the thermostat calls for cooling during dehumidification mode, the call for cooling takes precedence over the dehumidification and the unit will cool until the thermostat is satisfied. Once the call for cooling is satisfied, the unit may continue to dehumidify.

If the thermostat calls for heat when the unit is in the dehumidification mode, the electric heaters will energize and the evaporator air flow will return to the heating air flow. When the thermostat is satisfied, the electric heaters will turn off and the air flow will be reduced and the system will continue to dehumidify until humidistat is satisfied.

If the unit is running in heat pump mode and the humidistat calls for dehumidification, the heat pump mode takes precedence over dehumidification. The unit will not return to the dehumidification mode until the heating thermostat is satisfied.

REFRIGERANT TUBE SCHEMATIC FOR REHEAT COIL

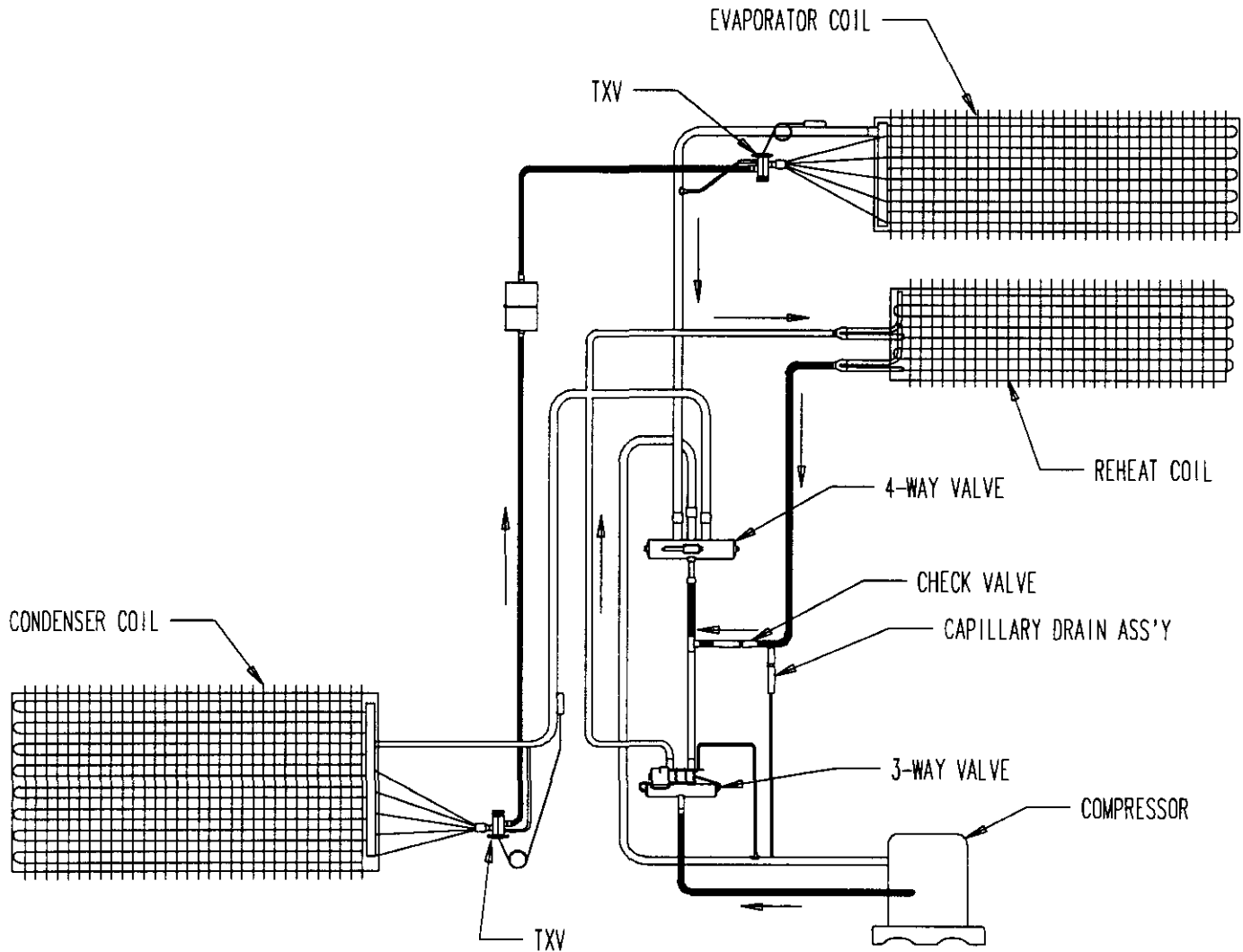
Figure 18 shows the refrigerant gas flow through the reheat coil during the dehumidification mode.

When the unit is in standard cooling (Figure 19) or heating mode the reheat coil is inactive.

PRESSURE SERVICE PORTS

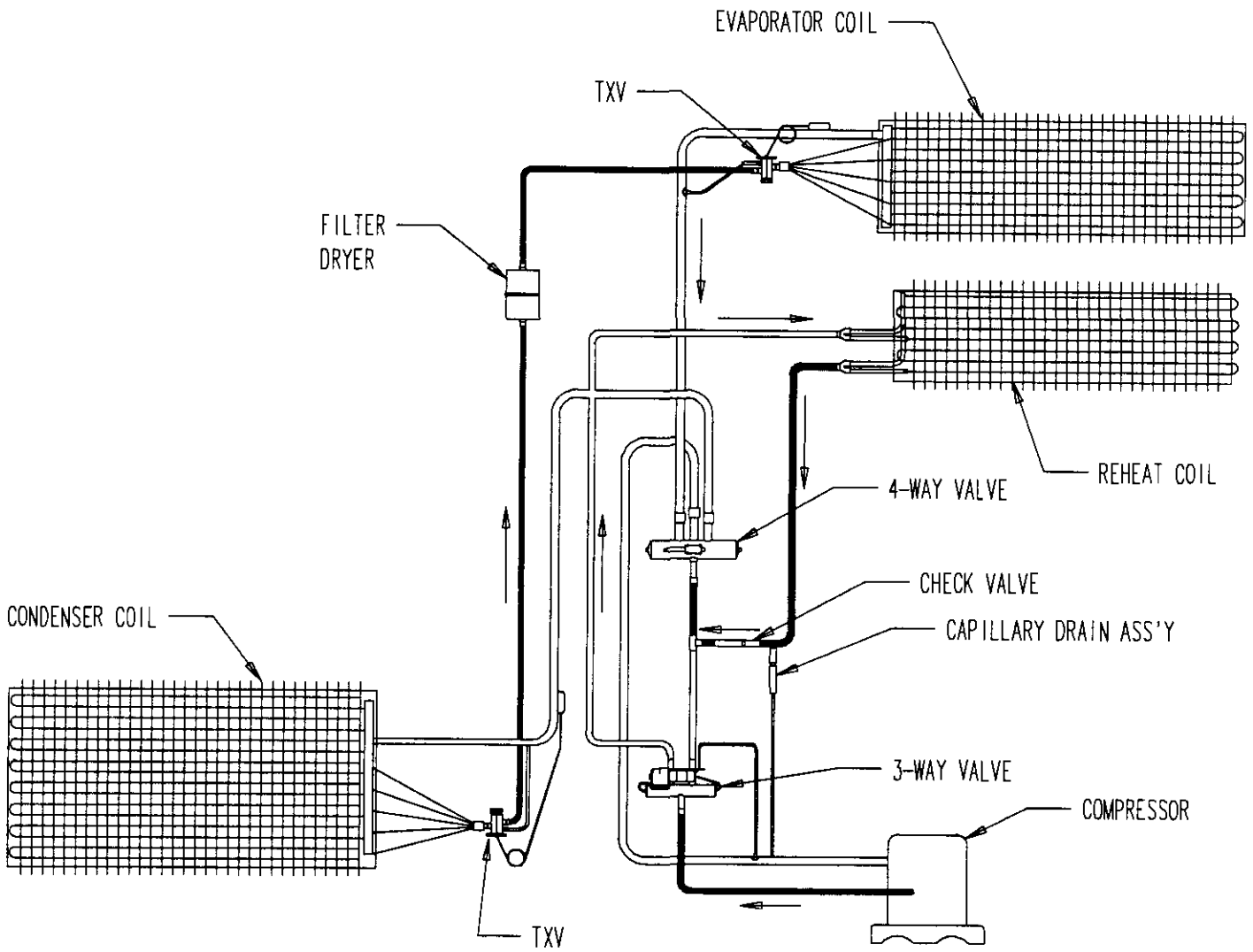
High and low pressure service ports are installed on all units so that the system operating pressures can be observed. Pressure curves can be found later in the manual covering all models on both cooling and heating cycles. It is imperative to match the correct pressure curve to the unit by model number. All service doors must be attached to obtain proper reading.

FIGURE 18
QT_{EC} DEHUMIDIFICATION MODE CIRCUIT DIAGRAM



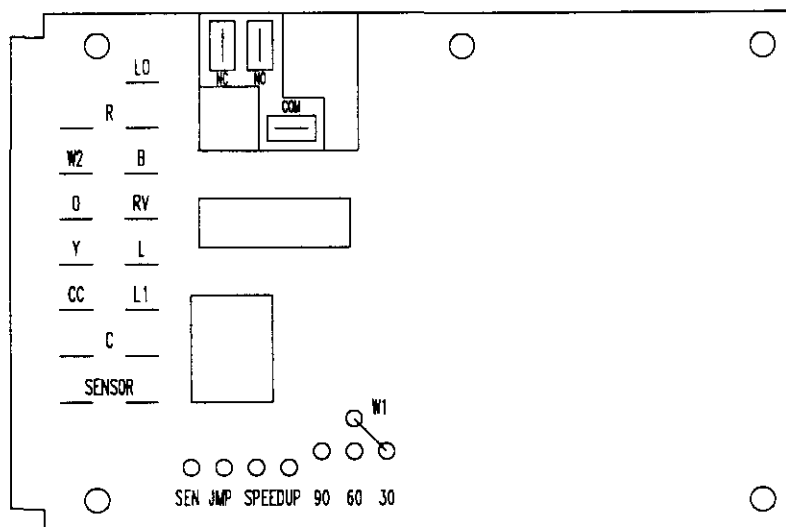
MIS-1088

FIGURE 19
QTec COOLING MODE CIRCUIT DIAGRAM



MIS-1089

FIGURE 20 – HEAT PUMP CONTROL BOARD



MIS-973

DEFROST CYCLE

The defrost cycle is controlled by temperature and time on the solid state heat pump control.

When the outdoor temperature is in the lower 40°F temperature range or colder, the outdoor coil temperature is 32°F or below. This coil temperature is sensed by the coil sensor mounted near the bottom of the outdoor coil. Once coil temperature reaches 30°F or below, the coil sends a signal to the control logic of the heat pump control and the defrost timer will start.

After 30 minutes at 30°F or below, the heat pump control will place the system in the defrost mode.

During the defrost mode the refrigerant cycle switches back to the cooling cycle, the outdoor motor stops, electric heaters are energized, and hot gas passing through the outdoor coil melts any accumulated frost. When the temperature rises to approximately 57°F, the coil sensor will send a signal to the heat pump control which will return the system to heating operations automatically.

If some abnormal or temporary condition such as a high wind causes the heat pump to have a prolonged defrost cycle, the heat pump control will restore the system to heating operation automatically after 10 minutes.

There are three settings on the heat pump control – 30 minute, 60 minute and 90 minute. Models are shipped wired on the 30 minute setting for greatest operating economy. If special circumstances require a change to another time, remove wire connected to terminal 30 and reconnect to desired terminal. Refer to Figure 16. The manufacturer's recommendation is for 30 minute defrost cycles.

There is a cycle speed up jumper on the control. This can be used to reduce the time between defrost cycle operation without waiting for time to elapse.

There is an initial defrost jumper (sen jmp) on the control that can be used at any outdoor ambient during the heating cycle to simulate a 0° coil temperature. This can be used to check defrost operation of the unit without waiting for the outdoor ambient to fall into the defrost region.

Troubleshooting

SOLID STATE HEAT PUMP CONTROL TROUBLESHOOTING PROCEDURE

1. Turn on AC power supply to indoor and outdoor units.
2. Turn thermostat blower switch to "fan on" – the indoor blower should start. (If it doesn't, troubleshoot indoor unit and correct problem.)

3. Turn thermostat blower to "auto" position. Indoor blower should stop.
4. Set system switch to "heat" or "cool". Adjust thermostat to call for heat or cool. The indoor blower, compressor and outdoor fan should start.

NOTE: If there was no power to 24 volt transformer, the compressor and outdoor fan motor will not start for 5 minutes. This is because of the compressor short cycle protection.

TABLE 5 – TROUBLESHOOTING

Sympton	Possible Cause	What to Check	How to Check or Repair
Compressor contactor does not energize (cooling or heating)	Control circuit wiring	Check for R connection at unit, and 24V between R-C.	Run R connection to outdoor unit to power heat pump control.
	Compressor lock out	1) Check for 24V between L1-C on heat pump control. 2) Check across high pressure switch.	1) If no voltage between L1-C turn thermostat off and on again to reset high pressure switch. 2) If high pressure switch is open and will not reset, replace high pressure switch.
	Compressor short cycle protection	Check for 24V between CC-C and Y-C on heat pump control.	If no voltage between CC-C jumper speed up terminal and within 10 seconds power should appear between CC-C. Remove speed up jumper after 10 seconds.
	Heat pump control defective	Check all other possible causes. Manual 2100-034	Replace heat pump control.
	Contactor defective	Check for open or shorted coil winding.	Replace contactor.
Fan outdoor motor does not run (cooling or heating except during defrost)	Motor defective	Check for open or shorted motor winding.	Replace motor.
	Motor capacitor defective	Check capacitor rating. Check for open or shorted capacitor.	Replace capacitor.
	Heat pump control defective	Check across fan relay on heat pump control (Com-NC)	Replace heat pump control.
Reversing valve does not energize (heating only)	Reversing valve solenoid coil defective	Check for open or shorted coil.	Replace solenoid coil.
	Heat pump control defective	Check for 24V between RV-C and B-C.	1) Check control circuit wiring. 2) Replace heat pump control
Unit will not go into defrost (heating only)	Temperature sensor or heat pump control defective	Disconnect temperature sensor from board, and jumper across speed up terminals and sen jmp terminals. This should cause the unit to go through a defrost cycle within one minute.	1) If unit goes through defrost cycle, replace temperature sensor. 2) If unit does not go through defrost cycle, replace heat pump control.
Unit will not come out of defrost (heating only)	Temperature sensor or heat pump control defective	Jumper across speed up terminals. This should cause the unit to come out of defrost within one minute.	1) If unit comes out of defrost cycle, replace temperature sensor. 2) If unit does not come out of defrost cycle, replace heat pump control.

CHECKING TEMPERATURE SENSOR

1. Disconnect temperature sensor from board and from outdoor coil.
2. Use an ohmmeter and measure the resistance of the sensor. Also use ohmmeter to check for short or open.
3. Check resistance reading to chart of resistance use sensor ambient temperature. (Tolerance of part is $\pm 10\%$.)
4. If sensor resistance reads very low, then sensor is shorted and will not allow proper operation of the heat pump control.
5. If sensor is out of tolerance, shorted, open, or reads very low ohms then it should be replaced.

TABLE 6

TEMPERATURE (F) vs RESISTANCE (R) OF TEMPERATURE SENSOR									
F	R	F	R	F	R	F	R	F	R
-25.0	196871	5.0	72910	35.0	29986	65.0	13474	95.0	6531
-24.0	190099	6.0	76070	36.0	29157	66.0	13137	96.0	6383
-23.0	183585	7.0	68507	37.0	28355	67.0	12810	97.0	6239
-22.0	177318	8.0	66418	38.0	27577	68.0	12492	98.0	6098
-21.0	171289	9.0	64399	39.0	26823	69.0	12183	99.0	5961
-20.0	165487	10.0	62449	40.0	26092	70.0	11883	100.0	5827
-19.0	159904	11.0	60565	41.0	25383	71.0	11591	101.0	5697
-18.0	154529	12.0	58745	42.0	24696	72.0	11307	102.0	5570
-17.0	149355	13.0	56985	43.0	24030	73.0	11031	103.0	5446
-16.0	144374	14.0	55284	44.0	23384	74.0	10762	104.0	5326
-15.0	139576	15.0	53640	45.0	22758	75.0	10501	105.0	5208
-14.0	134956	16.0	52051	46.0	22150	76.0	10247	106.0	5094
-13.0	130506	17.0	50514	47.0	21561	77.0	10000	107.0	4982
-12.0	126219	18.0	49028	48.0	20989	78.0	9760	108.0	4873
-11.0	122089	19.0	47590	49.0	20435	79.0	9526	109.0	4767
-10.0	118108	20.0	46200	50.0	19896	80.0	9299	110.0	4663
-9.0	114272	21.0	44855	51.0	19374	81.0	9077	111.0	4562
-8.0	110575	22.0	43554	52.0	18867	82.0	8862	112.0	4464
-7.0	107010	23.0	42295	53.0	18375	83.0	8653	113.0	4367
-6.0	103574	24.0	41077	54.0	17898	84.0	8449	114.0	4274
-5.0	100260	25.0	39898	55.0	17434	85.0	8250	115.0	4182
-4.0	97064	26.0	38757	56.0	16984	86.0	8057	116.0	4093
-3.0	93981	27.0	37652	57.0	16547	87.0	7869	117.0	4006
-2.0	91008	28.0	36583	58.0	16122	88.0	7686	118.0	3921
-1.0	88139	29.0	35548	59.0	15710	89.0	7507	119.0	3838
0.0	85371	30.0	34545	60.0	15310	90.0	7334	120.0	3757
1.0	82699	31.0	33574	61.0	14921	91.0	7165	121.0	3678
2.0	80121	32.0	32634	62.0	14544	92.0	7000	122.0	3601
3.0	77632	33.0	31723	63.0	14177	93.0	6840	123.0	3526
4.0	75230	34.0	30840	64.0	13820	94.0	6683	124.0	3452

FAN BLADE SETTING DIMENSIONS

Any service work requiring removal or adjustment in the fan and/or motor area will require that the dimensions in Table 7 be checked and blade adjusted in or out of the motor shaft accordingly.

FIGURE 21 – FAN BLADE SETTING

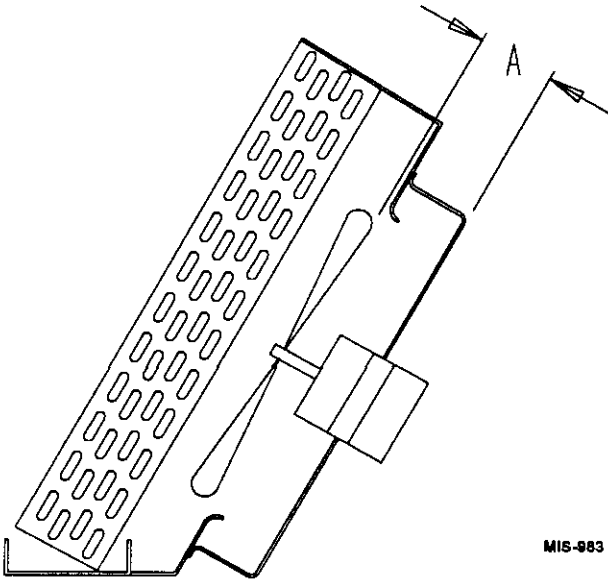


TABLE 7 – FAN BLADE DIMENSIONS

MODEL	DIMENSION A (INCHES)
QH241	.750
QH301	.750
QH361	.750
QH421	.750
QH481	.750

REFRIGERANT CHARGE

The correct system R-22 charge is shown on the unit rating plate. Optimum unit performance will occur with a refrigerant charge resulting in a suction line temperature (6 inches from compressor) as shown in Table 8.

TABLE 8 – SUCTION LINE TEMPERATURE DEGREES F

MODEL	RATED CFM	95 F OD TEMPERATURE	82 F OD TEMPERATURE
QH241	800	16 - 18	14 - 16
QH301	1000	16 - 18	15 - 17
QH361	1200	16 - 18	14 - 16
QH421	1200	19 - 21	16 - 18
QH481	1200	23 - 25	22 - 24

TABLE 9 – INDOOR BLOWER PERFORMANCE

MODEL	RATED ESP	① MAX. ESP	② RATED CFM	③ OPTIONAL CFM	④ CONTINUOUS CFM	⑤ DEHUMIDIFICATION CFM	CFM @ MAX. ESP
QH241 ⑥	.10	0.5	800		800	500	700
QH301	.15	0.8	1000		1000	700	910
QH361	.15	0.8	1200	1000	1000	850	1175
QH421	.15	0.8	1200	1000	1000	850	1175
QH481	.15	0.8	1400	1100	1100	850	1175

NOTE: These units are equipped with a variable speed (ECM) indoor motor that automatically adjust itself to maintain approximately the same rate of indoor air flow in both heating and cooling, dry and wet coil conditions and at both 230/208 or 460 volts.

- ① Maximum ESP (inches WC) shown is with 1" thick disposable filter (reduced by .2 for 2" filter).
- ② Rated CFM for ducted applications – required for maximum performance rating. To obtain full CFM on models QH361 and QH421, connect the pink jumper wire (provided) to terminal #5 and #6 on the low voltage terminal block located in the circuit breaker box.
- ③ Optional CFM – the unit is shipped from the factory set to operate at the optional CFM level shown. This provides lower operating sound levels for non-ducted, free discharge applications. This reduces system capacity performance by approximately 2% at the same energy efficiency.
- ④ Continuous fan CFM is the total air being circulated during continuous fan mode.
- ⑤ Indoor air flow during periods of high humidity when system is operating under control of optional humidistat for maximum humidity reduction.
- ⑥ Models QH241 – when operating on 2nd stage heating the indoor air will increase to 1000 CFM.

PRESSURE CHARTS

TABLE 10 – COOLING PRESSURE – (All temperatures in degrees F)

MODEL	RETURN AIR TEMP.	PRESSURE	AIR TEMPERATURE ENTERING OUTDOOR COIL								
			75 ①	80	85	90	95	100	105	110	115
QH241	75 DB	Low Side	73	73	74	76	77	79	80	81	83
	62 WB	High Side	195	199	214	229	244	259	274	289	304
	80 DB	Low Side	78	78	79	80	82	84	85	87	88
	67 WB	High Side	203	204	219	234	250	264	280	296	312
	85 DB	Low Side	84	84	85	86	88	89	91	93	94
	72 WB	High Side	121	213	228	244	259	274	290	305	320
QH301	75 DB	Low Side	75	75	76	77	78	79	80	81	82
	62 WB	High Side	226	202	242	258	273	319	303	319	335
	80 DB	Low Side	80	80	81	82	83	84	85	86	87
	67 WB	High Side	228	233	248	264	280	296	311	327	343
	85 DB	Low Side	86	86	87	88	89	90	91	92	93
	72 WB	High Side	238	240	257	273	290	306	323	339	356
QH361	75 DB	Low Side	74	74	75	76	77	78	79	80	81
	62 WB	High Side	212	215	233	251	269	287	305	323	341
	80 DB	Low Side	79	79	80	81	82	83	84	85	86
	67 WB	High Side	219	220	239	257	276	294	312	331	350
	85 DB	Low Side	85	85	86	87	88	89	90	91	92
	72 WB	High Side	223	228	247	267	286	305	324	343	363
QH421	75 DB	Low Side	71	71	72	73	74	75	76	77	79
	62 WB	High Side	246	248	264	281	299	318	339	362	385
	80 DB	Low Side	75	76	77	78	79	80	81	82	83
	67 WB	High Side	251	243	270	288	307	327	349	371	395
	85 DB	Low Side	82	82	83	84	85	86	87	88	90
	72 WB	High Side	261	262	279	298	318	330	361	384	409
QH481	75 DB	Low Side	69	71	72	72	73	74	75	75	76
	62 WB	High Side	221	237	252	270	287	305	323	343	363
	80 DB	Low Side	75	76	76	77	78	79	80	80	81
	67 WB	High Side	228	244	260	276	294	312	331	351	372
	85 DB	Low Side	81	82	82	83	84	85	86	86	87
	72 WB	High Side	237	252	269	285	304	323	342	363	385

Low side pressure ± 2 psig

High side pressure ± 5 psig

Tables are based upon rated CFM (airflow) across the evaporator coil. If there is any doubt as to correct operating charge being in the system, the charge should be removed, system evacuated and recharged to serial plate instructions.

① 75° F outdoor temperature condenser fan motor is running on low speed.

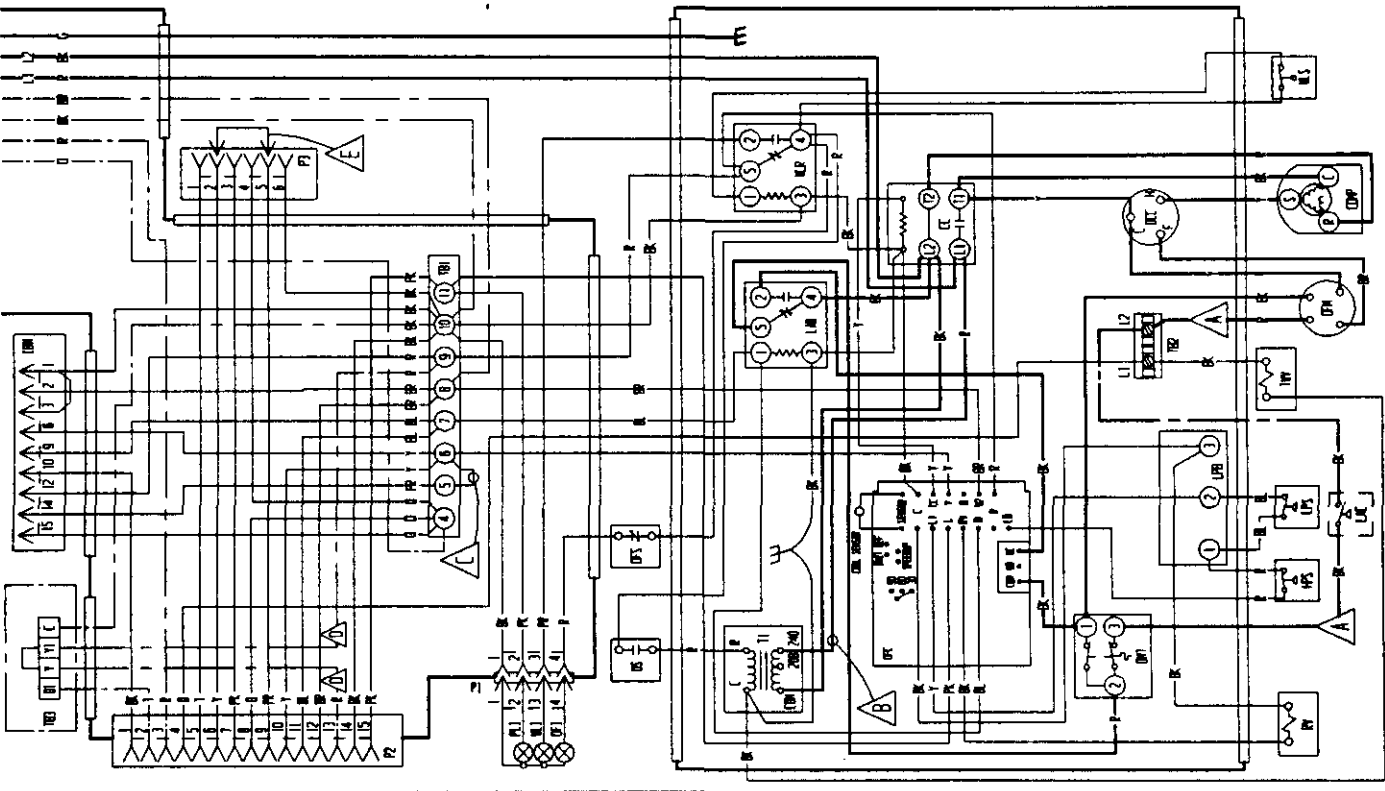
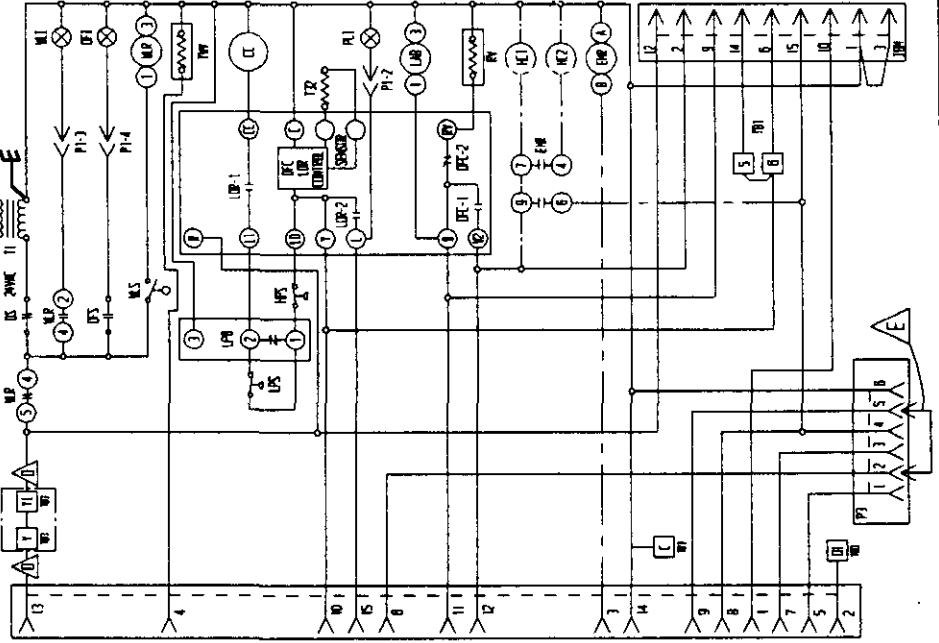
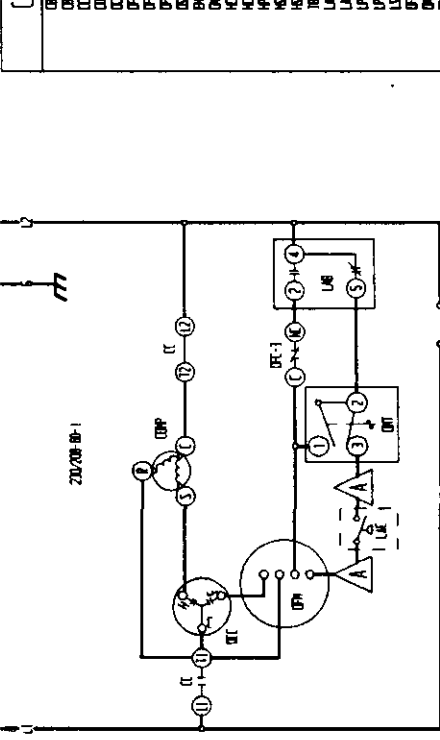
TABLE 11 – HEATING PRESSURE – (All Temperatures in Degrees F)

MODEL	RETURN AIR TEMP.	PRESSURE	AIR TEMPERATURE ENTERING OUT DOOR COIL													
			0	5	10	15	17	20	25	30	35	40	47	50	55	60
QH241	70	Low Side	7	12	17	23	25	28	33	39	44	50	57	60	65	71
		High Side	147	155	164	172	176	181	189	198	206	215	227	232	240	249
QH301	70	Low Side	16	20	24	28	30	33	37	41	45	49	55	58	62	67
		High Side	157	163	169	175	177	180	187	193	199	205	213	217	222	228
QH361	70	Low Side	13	17	21	25	27	30	34	38	42	46	52	55	59	63
		High Side	147	153	159	164	167	171	176	182	188	194	202	206	211	217
QH421	70	Low Side	13	18	22	26	28	31	35	39	44	48	54	57	61	65
		High Side	161	168	174	180	183	187	193	199	206	212	221	225	231	237
QH481	70	Low Side	11	15	20	24	26	29	33	38	42	47	53	56	60	65
		High Side	154	160	167	173	176	180	186	192	199	206	215	219	225	232

OPTIONAL ACCESSORIES

MODEL	DESCRIPTION
QLG-10	Outdoor louver grille, clear anodized aluminum for 2, 2-1/2, 3, 3-1/2 Ton QTEC Models TM
QLG-15	Outdoor louver grille, clear anodized aluminum for 4 Ton QTEC Models TM
QLG-20	Outdoor louver grille, medium bronze anodized aluminum for 2, 2-1/2, 3, 3-1/2 Ton QTEC Models TM
QLG-25	Outdoor louver grille, medium bronze anodized aluminum for 4 Ton QTEC Models TM
QLG-30	Outdoor louver grille, dark bronze anodized aluminum for 2, 2-1/2, 3, 3-1/2 Ton QTEC Models TM
QLG-35	Outdoor louver grille, dark bronze anodized aluminum for 4 Ton QTEC Models TM
QWS42	14 Inch wall sleeve for 2, 2-1/2, 3, 3-1/2 Ton QTEC Models. TM <i>Required for all units.</i>
QWS48	14 Inch wall sleeve for 4 Ton QTEC Models. TM <i>Required for all units.</i>
QSTX42	Side trim piece extension for 2, 2-1/2, 3, 3-1/2 Ton QTEC Models. TM Provides cabinet extension between interior wall and unit when wall thickness is between 5 inches and 12 inches.
QPB42	Free blow plenum box for 2, 2-1/2, 3, 3-1/2 Ton QTEC Models. TM Includes front supply grilles.
QPB48	Free blow plenum box for 4 Ton QTEC Models. TM Includes front supply grilles.
QCX-10	Cabinet extension for ducted applications on 2, 2-1/2, 3, 3-1/2 Ton QTEC Models. TM Height will be 20 inches high.
QCX-15	Cabinet extension for ducted applications on 4 Ton QTEC Models. TM Height will be 20 inches high.

Wiring Diagram



- Wiring Code**
- DP1 CONTACT DEGREE #1
 - DP2 CONTACT DEGREE #2
 - DCP COMPRESSOR CONTACTOR
 - DCU LOW CAPACITY
 - DCV LOW CAPACITY
 - DCW CONTACTOR
 - DCX CONTACTOR
 - DCY CONTACTOR
 - DCZ CONTACTOR
 - DC1 CONTACTOR
 - DC2 CONTACTOR
 - DC3 CONTACTOR
 - DC4 CONTACTOR
 - DC5 CONTACTOR
 - DC6 CONTACTOR
 - DC7 CONTACTOR
 - DC8 CONTACTOR
 - DC9 CONTACTOR
 - DC10 CONTACTOR
 - DC11 CONTACTOR
 - DC12 CONTACTOR
 - DC13 CONTACTOR
 - DC14 CONTACTOR
 - DC15 CONTACTOR
 - DC16 CONTACTOR
 - DC17 CONTACTOR
 - DC18 CONTACTOR
 - DC19 CONTACTOR
 - DC20 CONTACTOR
 - DC21 CONTACTOR
 - DC22 CONTACTOR
 - DC23 CONTACTOR
 - DC24 CONTACTOR
 - DC25 CONTACTOR
 - DC26 CONTACTOR
 - DC27 CONTACTOR
 - DC28 CONTACTOR
 - DC29 CONTACTOR
 - DC30 CONTACTOR
 - DC31 CONTACTOR
 - DC32 CONTACTOR
 - DC33 CONTACTOR
 - DC34 CONTACTOR
 - DC35 CONTACTOR
 - DC36 CONTACTOR
 - DC37 CONTACTOR
 - DC38 CONTACTOR
 - DC39 CONTACTOR
 - DC40 CONTACTOR
 - DC41 CONTACTOR
 - DC42 CONTACTOR
 - DC43 CONTACTOR
 - DC44 CONTACTOR
 - DC45 CONTACTOR
 - DC46 CONTACTOR
 - DC47 CONTACTOR
 - DC48 CONTACTOR
 - DC49 CONTACTOR
 - DC50 CONTACTOR
 - DC51 CONTACTOR
 - DC52 CONTACTOR
 - DC53 CONTACTOR
 - DC54 CONTACTOR
 - DC55 CONTACTOR
 - DC56 CONTACTOR
 - DC57 CONTACTOR
 - DC58 CONTACTOR
 - DC59 CONTACTOR
 - DC60 CONTACTOR
 - DC61 CONTACTOR
 - DC62 CONTACTOR
 - DC63 CONTACTOR
 - DC64 CONTACTOR
 - DC65 CONTACTOR
 - DC66 CONTACTOR
 - DC67 CONTACTOR
 - DC68 CONTACTOR
 - DC69 CONTACTOR
 - DC70 CONTACTOR
 - DC71 CONTACTOR
 - DC72 CONTACTOR
 - DC73 CONTACTOR
 - DC74 CONTACTOR
 - DC75 CONTACTOR
 - DC76 CONTACTOR
 - DC77 CONTACTOR
 - DC78 CONTACTOR
 - DC79 CONTACTOR
 - DC80 CONTACTOR
 - DC81 CONTACTOR
 - DC82 CONTACTOR
 - DC83 CONTACTOR
 - DC84 CONTACTOR
 - DC85 CONTACTOR
 - DC86 CONTACTOR
 - DC87 CONTACTOR
 - DC88 CONTACTOR
 - DC89 CONTACTOR
 - DC90 CONTACTOR
 - DC91 CONTACTOR
 - DC92 CONTACTOR
 - DC93 CONTACTOR
 - DC94 CONTACTOR
 - DC95 CONTACTOR
 - DC96 CONTACTOR
 - DC97 CONTACTOR
 - DC98 CONTACTOR
 - DC99 CONTACTOR
 - DC100 CONTACTOR

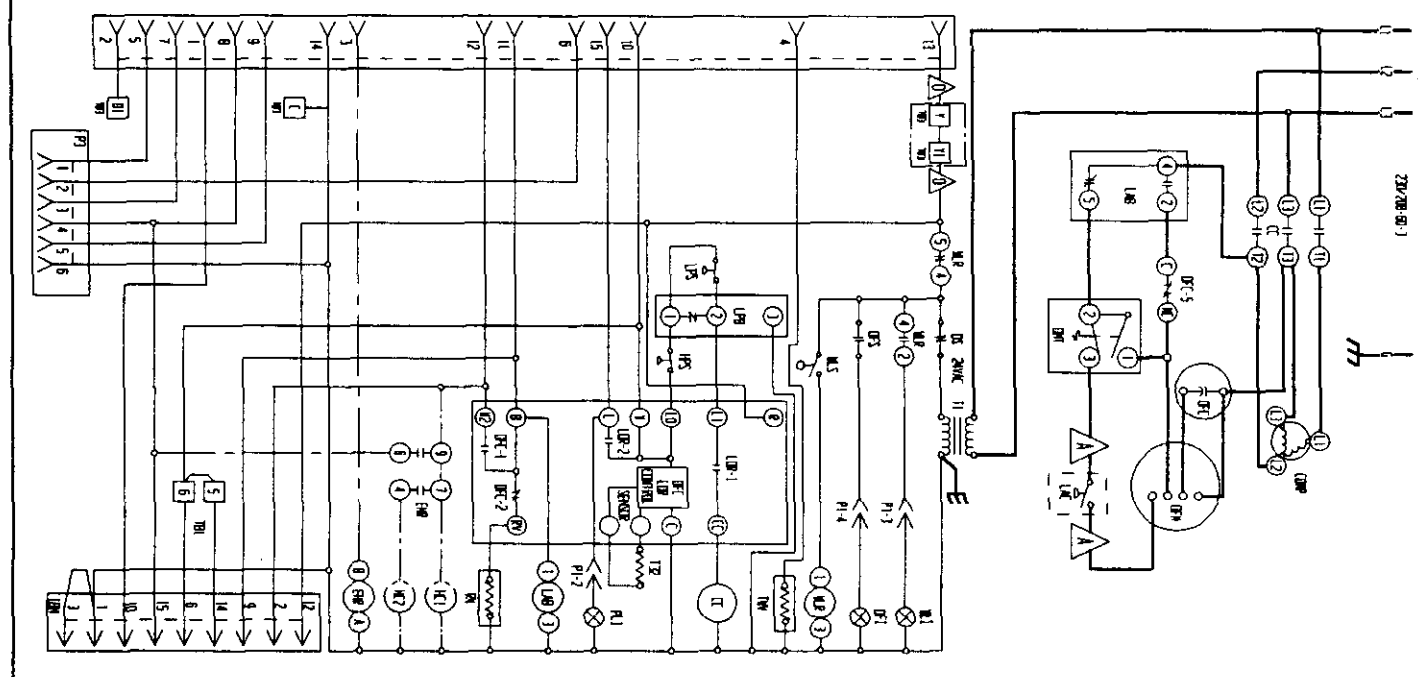
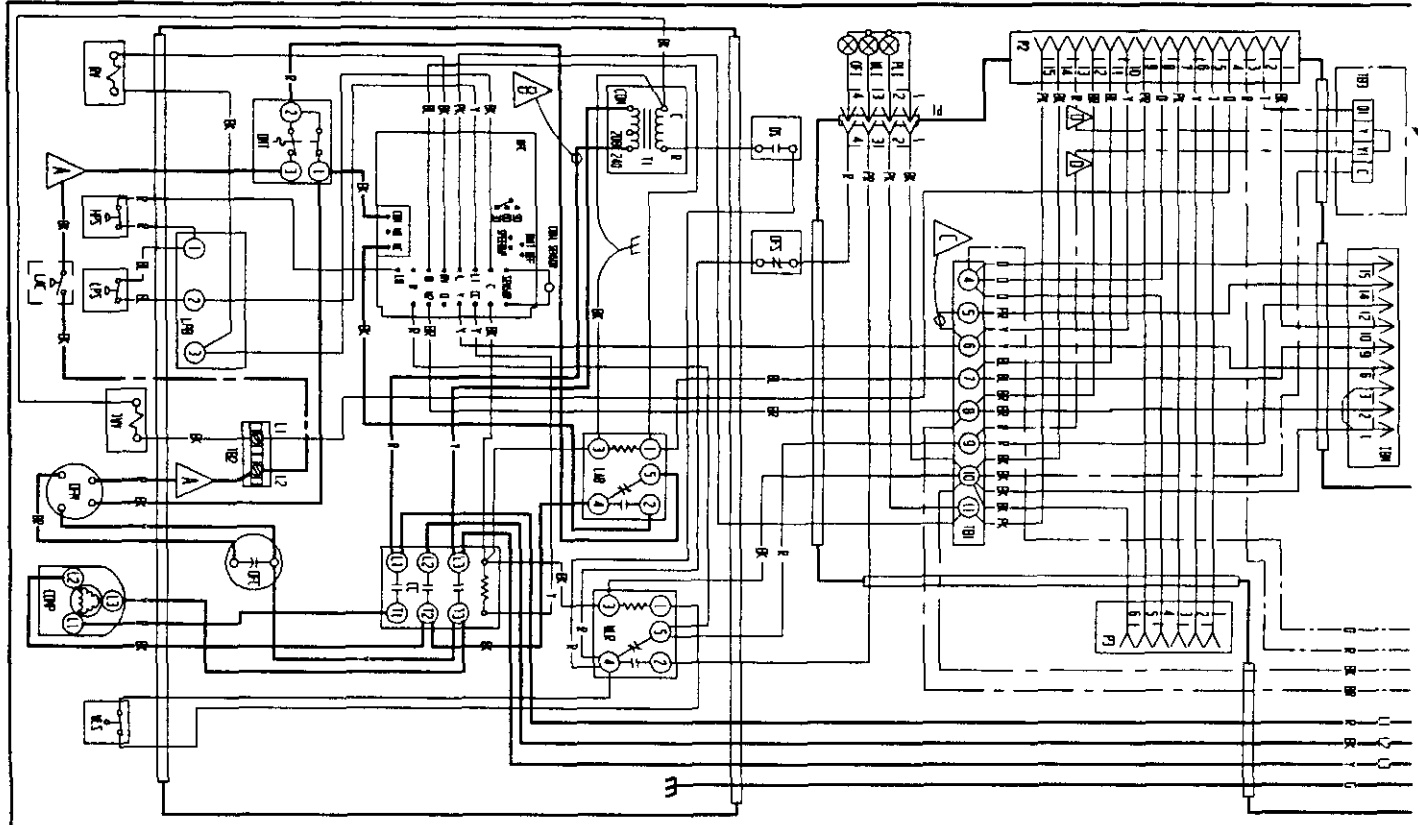
USE COPPER CONDUCTORS ONLY
SUITABLE FOR AT LEAST 75°C

A LABELLED WIRES CONNECT TO HIGH VOLTAGE
B LABELLED WIRES CONNECT TO LOW VOLTAGE
C LABELLED WIRES CONNECT TO AUXILIARY POWER
E LABELLED WIRES CONNECT TO EARTH

WIRE COLOR CODE

- W - BLACK
- BR - BROWN
- R - RED
- OR - ORANGE
- Y - YELLOW
- G - GREEN
- BL - BLUE
- PK - PINK
- PP - PURPLE
- CR - CRYSTAL
- W - WHITE

4100-104 A



COMPONENT CODE

- 01 CIRCUIT BREAKER
- 02 CIRCUIT BREAKER
- 03 CIRCUIT BREAKER
- 04 CIRCUIT BREAKER
- 05 CIRCUIT BREAKER
- 06 CIRCUIT BREAKER
- 07 CIRCUIT BREAKER
- 08 CIRCUIT BREAKER
- 09 CIRCUIT BREAKER
- 10 CIRCUIT BREAKER
- 11 CIRCUIT BREAKER
- 12 CIRCUIT BREAKER
- 13 CIRCUIT BREAKER
- 14 CIRCUIT BREAKER
- 15 CIRCUIT BREAKER
- 16 CIRCUIT BREAKER
- 17 CIRCUIT BREAKER
- 18 CIRCUIT BREAKER
- 19 CIRCUIT BREAKER
- 20 CIRCUIT BREAKER
- 21 CIRCUIT BREAKER
- 22 CIRCUIT BREAKER
- 23 CIRCUIT BREAKER
- 24 CIRCUIT BREAKER
- 25 CIRCUIT BREAKER
- 26 CIRCUIT BREAKER
- 27 CIRCUIT BREAKER
- 28 CIRCUIT BREAKER
- 29 CIRCUIT BREAKER
- 30 CIRCUIT BREAKER
- 31 CIRCUIT BREAKER
- 32 CIRCUIT BREAKER
- 33 CIRCUIT BREAKER
- 34 CIRCUIT BREAKER
- 35 CIRCUIT BREAKER
- 36 CIRCUIT BREAKER
- 37 CIRCUIT BREAKER
- 38 CIRCUIT BREAKER
- 39 CIRCUIT BREAKER
- 40 CIRCUIT BREAKER
- 41 CIRCUIT BREAKER
- 42 CIRCUIT BREAKER
- 43 CIRCUIT BREAKER
- 44 CIRCUIT BREAKER
- 45 CIRCUIT BREAKER
- 46 CIRCUIT BREAKER
- 47 CIRCUIT BREAKER
- 48 CIRCUIT BREAKER
- 49 CIRCUIT BREAKER
- 50 CIRCUIT BREAKER
- 51 CIRCUIT BREAKER
- 52 CIRCUIT BREAKER
- 53 CIRCUIT BREAKER
- 54 CIRCUIT BREAKER
- 55 CIRCUIT BREAKER
- 56 CIRCUIT BREAKER
- 57 CIRCUIT BREAKER
- 58 CIRCUIT BREAKER
- 59 CIRCUIT BREAKER
- 60 CIRCUIT BREAKER
- 61 CIRCUIT BREAKER
- 62 CIRCUIT BREAKER
- 63 CIRCUIT BREAKER
- 64 CIRCUIT BREAKER
- 65 CIRCUIT BREAKER
- 66 CIRCUIT BREAKER
- 67 CIRCUIT BREAKER
- 68 CIRCUIT BREAKER
- 69 CIRCUIT BREAKER
- 70 CIRCUIT BREAKER
- 71 CIRCUIT BREAKER
- 72 CIRCUIT BREAKER
- 73 CIRCUIT BREAKER
- 74 CIRCUIT BREAKER
- 75 CIRCUIT BREAKER
- 76 CIRCUIT BREAKER
- 77 CIRCUIT BREAKER
- 78 CIRCUIT BREAKER
- 79 CIRCUIT BREAKER
- 80 CIRCUIT BREAKER
- 81 CIRCUIT BREAKER
- 82 CIRCUIT BREAKER
- 83 CIRCUIT BREAKER
- 84 CIRCUIT BREAKER
- 85 CIRCUIT BREAKER
- 86 CIRCUIT BREAKER
- 87 CIRCUIT BREAKER
- 88 CIRCUIT BREAKER
- 89 CIRCUIT BREAKER
- 90 CIRCUIT BREAKER
- 91 CIRCUIT BREAKER
- 92 CIRCUIT BREAKER
- 93 CIRCUIT BREAKER
- 94 CIRCUIT BREAKER
- 95 CIRCUIT BREAKER
- 96 CIRCUIT BREAKER
- 97 CIRCUIT BREAKER
- 98 CIRCUIT BREAKER
- 99 CIRCUIT BREAKER
- 00 CIRCUIT BREAKER

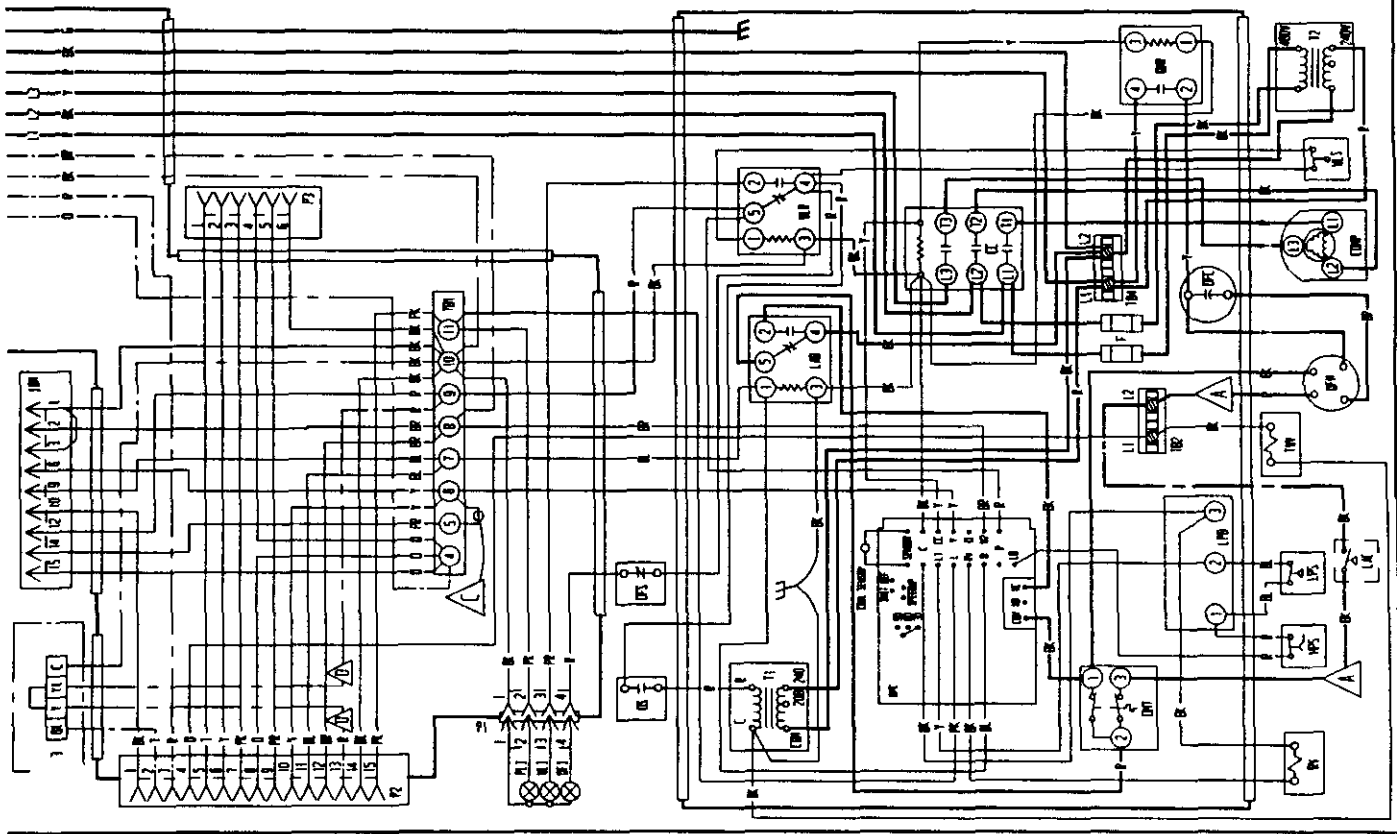
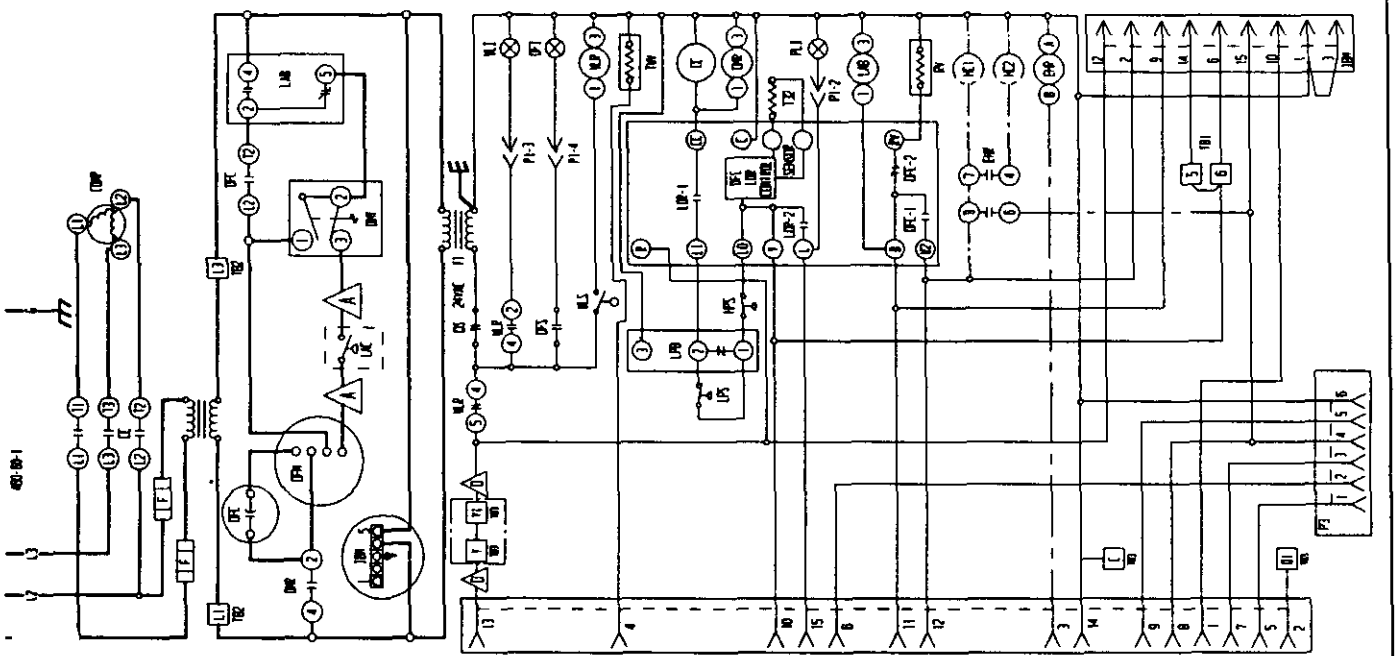
**USE COPPER CONDUCTORS ONLY
SUITABLE FOR AT LEAST 75°C**

- A** LABELS WIRE CONNECT
- B** NONE RED WIRE TO RED
- C** NONE RED WIRE TO OPERATIONAL
- D** NONE RED WIRE TO OPERATIONAL
- E** NONE RED WIRE TO OPERATIONAL
- F** NONE RED WIRE TO OPERATIONAL
- G** NONE RED WIRE TO OPERATIONAL
- H** NONE RED WIRE TO OPERATIONAL
- I** NONE RED WIRE TO OPERATIONAL
- J** NONE RED WIRE TO OPERATIONAL
- K** NONE RED WIRE TO OPERATIONAL
- L** NONE RED WIRE TO OPERATIONAL
- M** NONE RED WIRE TO OPERATIONAL
- N** NONE RED WIRE TO OPERATIONAL
- O** NONE RED WIRE TO OPERATIONAL
- P** NONE RED WIRE TO OPERATIONAL
- Q** NONE RED WIRE TO OPERATIONAL
- R** NONE RED WIRE TO OPERATIONAL
- S** NONE RED WIRE TO OPERATIONAL
- T** NONE RED WIRE TO OPERATIONAL
- U** NONE RED WIRE TO OPERATIONAL
- V** NONE RED WIRE TO OPERATIONAL
- W** NONE RED WIRE TO OPERATIONAL
- X** NONE RED WIRE TO OPERATIONAL
- Y** NONE RED WIRE TO OPERATIONAL
- Z** NONE RED WIRE TO OPERATIONAL

FACTORY	FIELD	OPTIONAL
<p>LOW VOLTAGE</p> <p>ACCESSORY</p> <p>RE-BLACK</p> <p>RE-BROWN</p> <p>RE-RED</p> <p>RE-ORANGE</p> <p>RE-YELLOW</p> <p>RE-GREEN</p> <p>RE-BLUE</p> <p>RE-PURPLE</p> <p>RE-GRAY</p> <p>RE-WHITE</p>	<p>RE-BLACK</p> <p>RE-BROWN</p> <p>RE-RED</p> <p>RE-ORANGE</p> <p>RE-YELLOW</p> <p>RE-GREEN</p> <p>RE-BLUE</p> <p>RE-PURPLE</p> <p>RE-GRAY</p> <p>RE-WHITE</p>	<p>RE-BLACK</p> <p>RE-BROWN</p> <p>RE-RED</p> <p>RE-ORANGE</p> <p>RE-YELLOW</p> <p>RE-GREEN</p> <p>RE-BLUE</p> <p>RE-PURPLE</p> <p>RE-GRAY</p> <p>RE-WHITE</p>

4100-204

COMP	CODE
01	CONTROL PANEL
02	CONTROL PANEL
03	CONTROL PANEL
04	CONTROL PANEL
05	CONTROL PANEL
06	CONTROL PANEL
07	CONTROL PANEL
08	CONTROL PANEL
09	CONTROL PANEL
10	CONTROL PANEL
11	CONTROL PANEL
12	CONTROL PANEL
13	CONTROL PANEL
14	CONTROL PANEL
15	CONTROL PANEL
16	CONTROL PANEL
17	CONTROL PANEL
18	CONTROL PANEL
19	CONTROL PANEL
20	CONTROL PANEL
21	CONTROL PANEL
22	CONTROL PANEL
23	CONTROL PANEL
24	CONTROL PANEL
25	CONTROL PANEL
26	CONTROL PANEL
27	CONTROL PANEL
28	CONTROL PANEL
29	CONTROL PANEL
30	CONTROL PANEL
31	CONTROL PANEL
32	CONTROL PANEL
33	CONTROL PANEL
34	CONTROL PANEL
35	CONTROL PANEL
36	CONTROL PANEL
37	CONTROL PANEL
38	CONTROL PANEL
39	CONTROL PANEL
40	CONTROL PANEL
41	CONTROL PANEL
42	CONTROL PANEL
43	CONTROL PANEL
44	CONTROL PANEL
45	CONTROL PANEL
46	CONTROL PANEL
47	CONTROL PANEL
48	CONTROL PANEL
49	CONTROL PANEL
50	CONTROL PANEL
51	CONTROL PANEL
52	CONTROL PANEL
53	CONTROL PANEL
54	CONTROL PANEL
55	CONTROL PANEL
56	CONTROL PANEL
57	CONTROL PANEL
58	CONTROL PANEL
59	CONTROL PANEL
60	CONTROL PANEL
61	CONTROL PANEL
62	CONTROL PANEL
63	CONTROL PANEL
64	CONTROL PANEL
65	CONTROL PANEL
66	CONTROL PANEL
67	CONTROL PANEL
68	CONTROL PANEL
69	CONTROL PANEL
70	CONTROL PANEL
71	CONTROL PANEL
72	CONTROL PANEL
73	CONTROL PANEL
74	CONTROL PANEL
75	CONTROL PANEL
76	CONTROL PANEL
77	CONTROL PANEL
78	CONTROL PANEL
79	CONTROL PANEL
80	CONTROL PANEL
81	CONTROL PANEL
82	CONTROL PANEL
83	CONTROL PANEL
84	CONTROL PANEL
85	CONTROL PANEL
86	CONTROL PANEL
87	CONTROL PANEL
88	CONTROL PANEL
89	CONTROL PANEL
90	CONTROL PANEL
91	CONTROL PANEL
92	CONTROL PANEL
93	CONTROL PANEL
94	CONTROL PANEL
95	CONTROL PANEL
96	CONTROL PANEL
97	CONTROL PANEL
98	CONTROL PANEL
99	CONTROL PANEL
100	CONTROL PANEL



USE COPPER CONDUCTORS ONLY
SUITABLE FOR AT LEAST 75°C

▲ ▲ LABELLED WIRES CORRECT
▲ ▲ WIRE IDENTIFICATION

▲ INITIAL JUMPS FOR HIGH SPEED
▲ IN CASE OPERATION IN MODELS 3 & 4

SPECIFY 31%
FIELD OPTIONAL

HIGH VOLTAGE

LOW VOLTAGE

ACCESSORY

6 - BLACK
7 - GREEN
8 - BLUE
9 - RED
10 - BROWN
11 - YELLOW
12 - WHITE
13 - TAN
14 - PINK
15 - LAMP
16 - LAMP
17 - LAMP
18 - LAMP
19 - LAMP
20 - LAMP
21 - LAMP
22 - LAMP
23 - LAMP
24 - LAMP
25 - LAMP
26 - LAMP
27 - LAMP
28 - LAMP
29 - LAMP
30 - LAMP
31 - LAMP
32 - LAMP
33 - LAMP
34 - LAMP
35 - LAMP
36 - LAMP
37 - LAMP
38 - LAMP
39 - LAMP
40 - LAMP
41 - LAMP
42 - LAMP
43 - LAMP
44 - LAMP
45 - LAMP
46 - LAMP
47 - LAMP
48 - LAMP
49 - LAMP
50 - LAMP
51 - LAMP
52 - LAMP
53 - LAMP
54 - LAMP
55 - LAMP
56 - LAMP
57 - LAMP
58 - LAMP
59 - LAMP
60 - LAMP
61 - LAMP
62 - LAMP
63 - LAMP
64 - LAMP
65 - LAMP
66 - LAMP
67 - LAMP
68 - LAMP
69 - LAMP
70 - LAMP
71 - LAMP
72 - LAMP
73 - LAMP
74 - LAMP
75 - LAMP
76 - LAMP
77 - LAMP
78 - LAMP
79 - LAMP
80 - LAMP
81 - LAMP
82 - LAMP
83 - LAMP
84 - LAMP
85 - LAMP
86 - LAMP
87 - LAMP
88 - LAMP
89 - LAMP
90 - LAMP
91 - LAMP
92 - LAMP
93 - LAMP
94 - LAMP
95 - LAMP
96 - LAMP
97 - LAMP
98 - LAMP
99 - LAMP
100 - LAMP

4100-304 A

