

---

# INSTALLATION INSTRUCTIONS

---

## ELECTRIC HEAT PACKAGES

<b>Models:</b>	<b>EHWH02A-A04</b>	<b>EHWA24A-A04</b>
	<b>EHWH02A-A08</b>	<b>EHWA02-A05</b>
	<b>EHWH24-B06</b>	<b>EHWA02A-A08</b>
	<b>EHWH24B-C06</b>	<b>EHWA02A-A10</b>
	<b>EHWH30-A05</b>	<b>EHWA24-B06</b>
	<b>EHWH36-A05</b>	<b>EHWA03-A05</b>
	<b>EHWH30-A10</b>	<b>EHWA03-A08</b>
	<b>EHWH36-A10</b>	<b>EHWA03-A10</b>
	<b>EHWH36-A15</b>	<b>EHWA03-A15</b>
	<b>EHWH03-B06</b>	<b>EHWA03-B06</b>
	<b>EHWH03-B09</b>	<b>EHWA03-B09</b>
	<b>EHWH36-B15</b>	<b>EHWA03-B15</b>
	<b>EHWH03A-C15</b>	<b>EHWA03A-C15</b>
	<b>EHWC03A-C06</b>	
	<b>EHWC03A-C09</b>	<b>EHWH31DB06</b>
	<b>EHWH26-A05</b>	<b>EHWH31-B06</b>
	<b>EHWH31-A05</b>	<b>EHWH31-C06</b>
	<b>EHWH31-A08</b>	

**FOR USE WITH SH, WA AND WH SERIES  
WALL MOUNTED AIR CONDITIONERS  
AND HEAT PUMPS**

**(See Tables 1A, 1B and 1C for Model Usage Matrix)**



BARD MANUFACTURING COMPANY  
Bryan, Ohio 43506  
*Since 1914...Moving, ahead just as planned.*

Manual: 2100-268C  
Supersedes: 2100-268B  
File: Volume III, Tab 18  
Date: 12-12-02

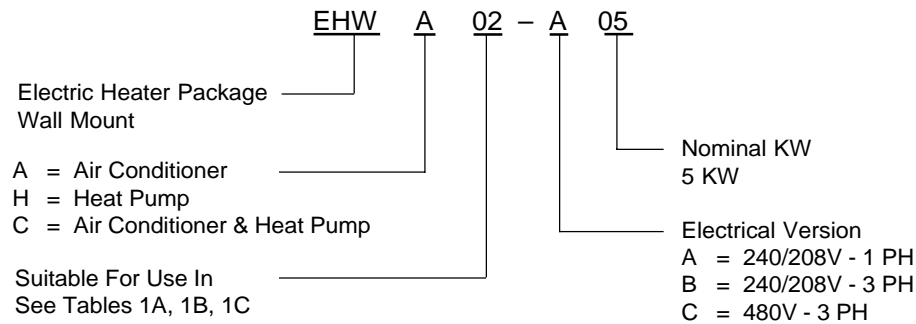
---

# CONTENTS

---

Model Nomenclature Legend .....	1	<b>Figures</b>		
Description .....	1	Figure 1	Wiring - Main Power .....	5
Important .....	1	Figure 2	Electric Heat Access Panel & Control Panel Cover Locations .....	7
Shipping Damage .....	1	Figure 3	Screw Mounting Holes .....	7
Unpacking the Electric Heat Package .....	1	Figure 4	A Thru D .....	9
Wiring Main Power .....	1	Figure 4E	Install Heat Package with Two Heat Strips .....	10
Installation .....	6	Figure 5	Installing Heater Base and Connecting .....	11
		Figure 6	Serial Plate Showing Approved Heater Packages .....	12
		<b>Tables</b>		
		Table 1A	Approved Heater Usage Matrix .....	2
		Table 1B	Approved Heater Usage Matrix .....	3
		Table 1C	Approved Heater Usage Matrix .....	3
		Table 2	Electrical Data and BTU Output .....	4
		Table 3	References to Figures 4 & 5 By Model Number .....	8

## MODEL NOMENCLATURE LEGEND



## DESCRIPTION

The EHWA, EHWH and EHWC series electric heater packages are field installable heater packages suitable for use with Bard wall mount hi boy air conditioners and heat pumps. The packages consist of the electric heat strip, the heater control base which includes the heat contactors, and circuit breaker or pull disconnects, installation instructions and wiring diagrams. See Table 1 for nominal electrical data and BTU output. **Before installation, check unit serial plate to insure the heater package model that you intend to install is listed a heater package that is suitable for use with the Bard wall mount hi boy unit.** See Figure 6.

## IMPORTANT

The equipment covered in this manual is to be installed by trained, experienced service and installation technicians.

## SHIPPING DAMAGE

Upon receipt of equipment, the carton should be checked for external signs of shipping damage. If damage is found, the receiving party must contact the last carrier immediately, preferably in writing, requesting inspection by the carrier's agent.

## UNPACKING THE ELECTRIC HEAT PACKAGE

Remove the heat package from the shipping carton. The heat package must consist of the following:

1. Basic heater
2. Electric heat control base and wiring.
3. Installation instructions.
4. Wiring diagram (2), one to be applied to unit.
5. Adhesive label to remark serial plate to indicate new model number. This is attached to the front of these instructions.

## WIRING MAIN POWER

1. On all installations, size unit power supply wiring for the minimum circuit ampacity requirement for the unit and heater package combination listed on the unit serial plate.

## WARNING

Install properly sized power supply leads for the unit/heater combination minimum circuit ampacity as listed on the unit serial plate. Hazard of fire. Failure to install properly sized conductors could result in fire causing damage, bodily injury or death.

**TABLE 1A  
APPROVED HEATER USAGE MATRIX**


240/220 V 1 Phase	WA182-A	WA182-D	WA242-A	WA242-D	WA242HA	WA253-A	WA253-D	WA302-A	WA302-D	WA361-A	WA361-D	WA372-A	WA372-D	WE252-D	WE301-D	WE371-D	WH183-A	WH242-A	WH242DA	WH261-A	WH301-A	WH301DA	WH301LA	WH311-A	WH361-A	WH361DA	WH361HA	WH361LA
EHWA02-A05	X	X	X	X		X	X							X														
EHWA02A-A08	X	X	X	X		X	X							X														
EHWA02A-A10	X		X			X																						
EHWA03-A05								X	X	X	X	X	X		X	X							X					X
EHWA03-A08								X		X		X																
EHWA03-A10								X	X	X	X	X	X		X	X												X
EHWA03-A15								X		X		X																
EHWA24A-A04			X			X																						
EHWH02A-A04					X												X	X	X									
EHWH02A-A08					X												X	X	X									
EHWH26-A05																				X								
EHWH30-A05																					X	X						
EHWH30-A10																					X	X						
EHWH31-A05																								X				
EHWH31-A08																				X				X				
EHWH36-A05																									X	X		
EHWH36-A10																									X	X	X	
EHWH36-A15																									X			

**TABLE 1B  
APPROVED HEATER USAGE MATRIX**

240/220 V 230/208 V 3 Phase	WA242-B	WA242HB	WA242TB	WA253-B	WA302-B	WA361-B	WA361-E	WA361HB	WA361TB	WA372-B	WA372-E	WA372TB	WH242-B	WH242DB	WH262-B	WH301-G	WH301DB	WH301LB	WH311-B	WH361-B	WH361DB	WH361LB	SH311DB	SH261DB
EHWA03-B06					X	X	X		X	X	X	X						X				X		
EHWA03-B09					X	X			X	X		X										X		
EHWA03-B15					X	X			X															
EHWA24-B06	X	X	X	X																				
EHWH03-B06																X	X			X	X			
EHWH03-B09								X								X	X			X	X			
EHWH24-B06													X	X										
EHWH31-B06															X				X					
EHWH36-B15																				X				
EHWH31DB06																							X	X

**TABLE 1C  
APPROVED HEATER USAGE MATRIX**

415 V 460 V 3 Phase	WA242-F	WA253-F	WA302-C	WA302-F	WA302TF	WA361-C	WA361-F	WA361TF	WA372-C	WA372-F	WA372TF	WE252-F	WE301-F	WE371-F	WH242-C	WH242DC	WH262-C	WH301-C	WH301DC	WH311-C	WH361-C	WH361DC
EHWC03A-C06			X			X			X									X	X		X	X
EHWC03A-C09			X	X	X	X	X	X	X	X	X		X	X				X	X		X	X
EHWA03A-C15			X	X	X	X	X	X	X	X	X		X	X								
EHWH03A-C15																		X			X	
EHWH24B-C06	X	X										X			X	X						
EHWH31-C06																X				X		

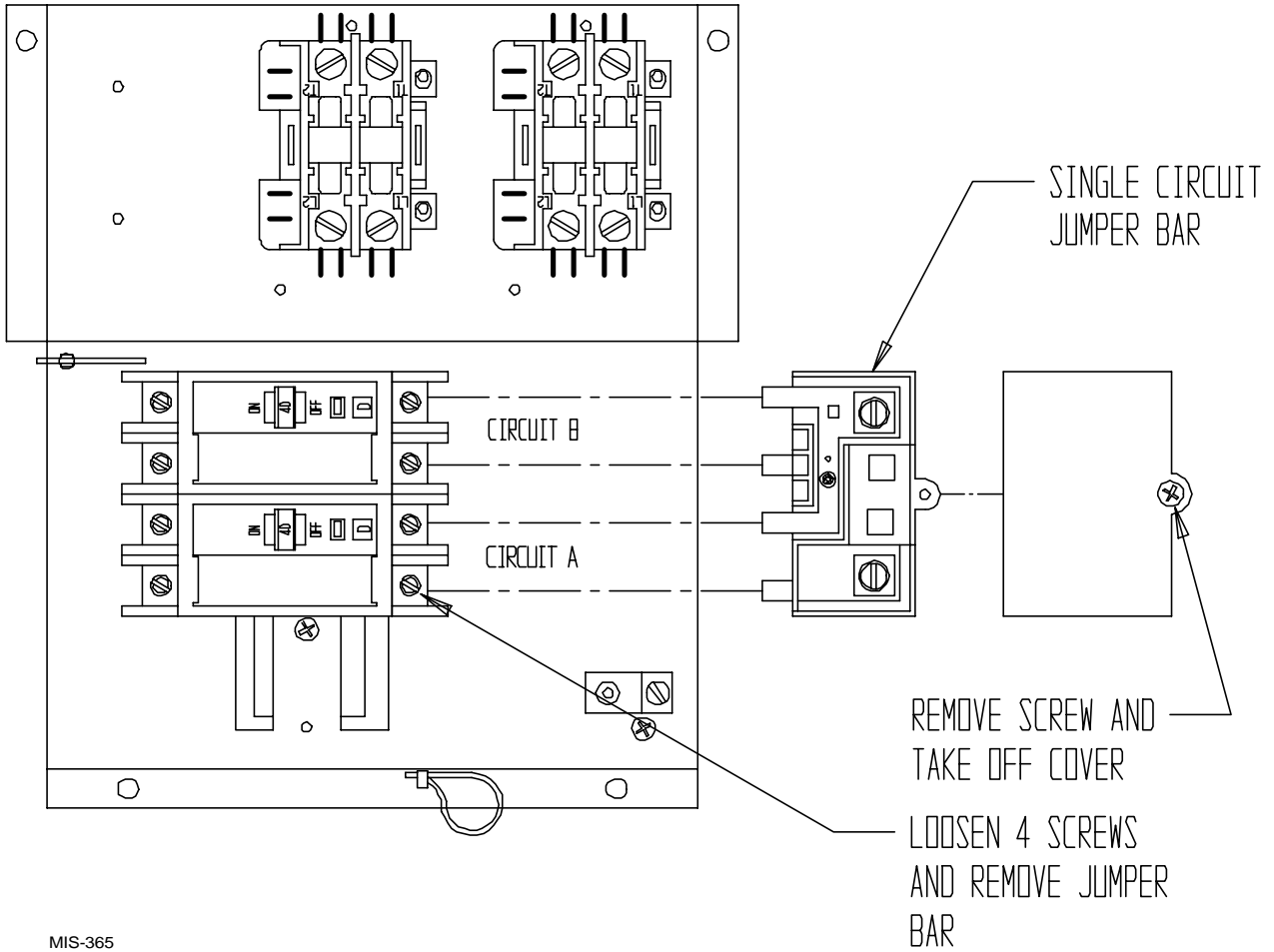
** WARNING**

Only use factory provided heaters in approved combinations of heater models to unit models as shown in table 1A, 1B and 1C. Failure to use approved combinations as shown or modification to heaters could result in fire causing damage, bodily injury or death.

**TABLE 2  
ELECTRICAL DATA AND BTU OUTPUT**

<b>Heater Package Model</b>	<b>Volts</b>	<b>Phase</b>	<b>Nominal KW</b>	<b>Nominal BTU</b>
EHWA24A-A04	240/208	1	4 / 3	13,650 / 10,240
EHWA02-A05	240/208	1	5 / 3.75	17,065 / 12,800
EHWA02A-A08	240/208	1	8 / 6	27,300 / 20,475
EHWA02A-A10	240/208	1	10 / 7.5	34,130 / 25,600
EHWA24-B06	240/208	3	6 / 4.5	20,475 / 15,350
EHWH02A-A04	240/208	1	4 / 3	13,650 / 10,240
EHWH02A-A08	240/208	1	8 / 6	27,300 / 20,475
EHWH24-B06	240/208	3	6 / 4.5	20,475 / 15,350
EHWH24B-C09	480	3	9	30,715
EHWA03-A05	240/208	1	5 / 3.75	17,065 / 12,800
EHWA03-A08	240/208	1	8 / 6	27,300 / 20,475
EHWA03-A10	240/208	1	10 / 7.5	34,130 / 25,600
EHWA03-A15	240/208	1	15 / 11.25	51,195 / 23,035
EHWA03-B06	240/208	3	6 / 4.5	20,475 / 15,350
EHWA03-B09	240/208	3	9 / 6.75	30,715 / 23,035
EHWA03-B15	240/208	3	15 / 11.25	51,195 / 38,400
EHWA03A-C15	480	3	15	51,195
EHWH30-A05	240/208	1	5 / 3.75	17,065 / 12,800
EHWH30-A10	240/208	1	10 / 7.5	34,130 / 25,600
EHWH36-A05	240/208	1	5 / 3.75	17,065 / 12,800
EHWH36-A10	240/208	1	10 / 7.5	34,130 / 25,600
EHWH36-A15	240/208	1	15 / 11.25	51,195 / 38,400
EHWH03-B06	240/208	3	6 / 4.5	20,475 / 15,350
EHWH03-B09	240/208	3	9 / 6.75	30,715 / 23,035
EHWH36-B15	240/208	3	15 / 11.25	51,195 / 38,400
EHWC03A-C06	480	3	6	20,475
EHWC03A-C09	480	3	9	30,715
EHWH03A-C15	480	3	15	51,195
EHWH26-A05	240/208	1	5 / 3.75	17,065 / 12,800
EHWH31-A05	240/208	1	5 / 3.75	17,065 / 12,800
EHWH31-A08	240/208	1	8 / 6	27,300 / 20,475
EHWH31-B06	240/208	3	6 / 4.5	20,475 / 15,350
EHWH31-C06	480	3	6	20,475

**FIGURE 1**  
**WIRING – MAIN POWER**



MIS-365

2. All heater packages covered by this manual are factory wired for single supply circuit. The following heater packages are field convertible to a dual supply circuit if required or desired:

EHWA03-A15

EHWH30-A10

EHWH36-A10

EHWH36-A15

3. To convert the above heater packages to dual circuit configuration before installation, loosen four (4) screws holding jumper bar in place. Remove jumper bar. Circuits A + B are now identified on the heater package. See Figure 1.

Wire should be sized to the minimum circuit ampacity as specified on the serial plates of units that accept these heater package for circuits A + B.

## INSTALLATION

1. Disconnect all power to unit before installation.

### **WARNING**

Disconnect all power to unit before installing heater package. Hazard of electrical shock. Failure to disconnect power could result in injury or death.

2. Before installation, check unit serial plate to insure that the heater package model that you intend to install is listed as a heater package suitable for use with the unit.

Under no circumstance shall a heater package be installed in a unit if the model number of the heater package does not appear on the unit serial plate.

### **WARNING**

Install only heater packages listed on unit serial plate. Hazard of fire or electrical shock. Failure to install listed heater package could result in fire, injury or death.

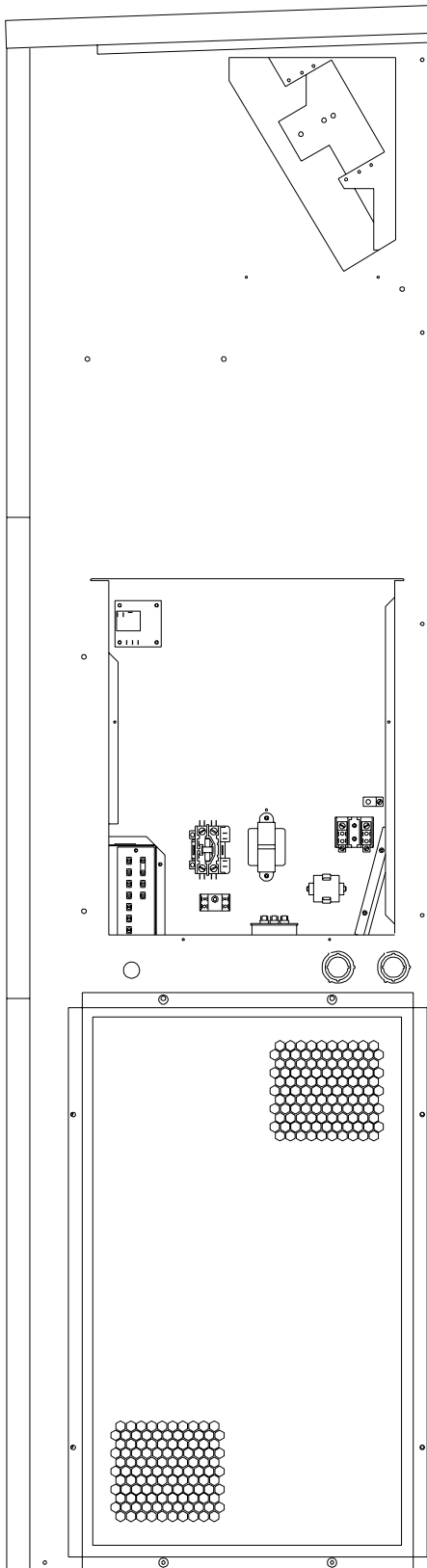
3. Remove electric heater access panel and control panel cover, both inner and outer. See Figure 2.
4. All heaters are installed with the thermal cutoffs positioned to the top of the unit. Install heat strip(s) through heater access opening. Position heat strip support rod in heater support hole 1, 2 or 3 as indicated in Table 1 and Figure 3.

On heater packages with two (2) heat strips, install 9KW heater first in position closest to the outlet air frame. See Figure 4E.

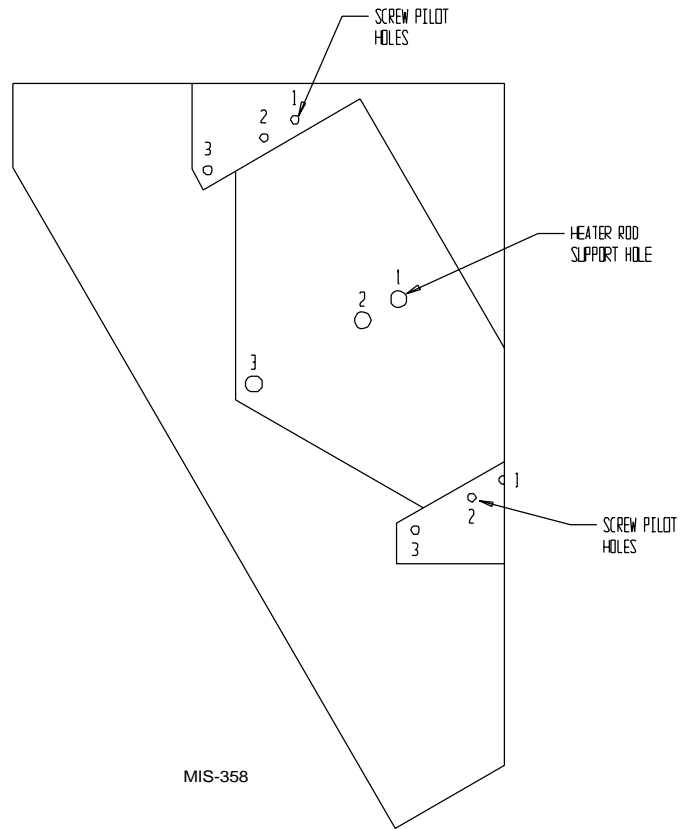
5. Install heater control base into top of control panel as shown in Figure 4. Secure with four (4) sheet metal screws provided.
6. Plug mail six (6) pin connector into mating connector mounted in control panel. See Figure 5.
7. Connect red compressor supply lead to L1 of terminal block. Connect black compressor supply lead to L2 of terminal block. If three phase, connect yellow supply lead to L3 of terminal block. See Figure 4 and wiring diagram.
8. Route wires from heater control base up through raceway in top right corner of control panel to the heaters. See Figure 5.
9. Wire heater package per wiring diagram supplied with this heater package. All wires are stamped with wire numbers that correspond with terminal numbers on the wiring diagram and stamped numbers on the heat strip. Limit switch wires are terminated with insulated quick connect terminals. See Figure 4.
10. Attach adhesive wiring diagram directly above unit wiring diagram on inner control panel cover.
11. Recheck all wiring. Break out appropriate circuit breaker tabs on inner control panel cover to allow trip lever to protrude. Replace control panel and heater access panels.
12. Resupply power to the unit and check for proper operation.
13. Remark serial plate with self-adhesive label attached to the front of this manual. See Figure 6.



**FIGURE 2  
ELECTRIC HEATER ACCESS PANEL  
AND CONTROL PANEL COVER LOCATIONS**



**FIGURE 3  
SCREW MOUNTING HOLES**



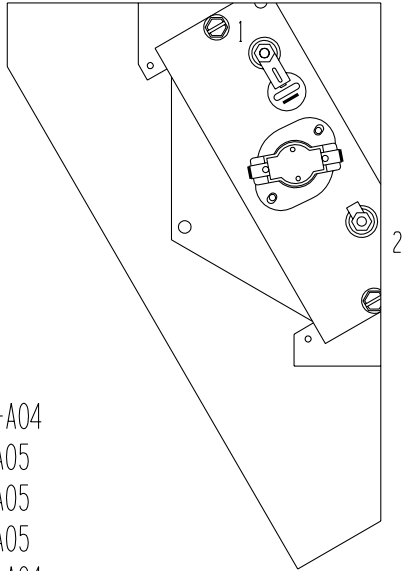
MIS-419

**TABLE 3  
REFERENCES TO FIGURES 4 AND 5  
FOR MODEL NUMBER**

	Heater Package Model Number	Figure 4 Heater Terminal Identification Drawing	Figure 3 Rod Support and Screw Mounting Position
1.	EHWA02-A05	4A	1
2.	EHWA02A-A08	4B	1
3.	EHWA02A-A10	4B	1
4.	EHWA03-A05	4A	1
5.	EHWA03-A08	4B	1
6.	EHWA03-A10	4B	1
7.	EHWA03-A15	4D	2
8.	EHWA03-B06	4C	1
9.	EHWA03-B09	4C	1
10.	EHWA03-B15	4D	2
11.	EHWA03A-C15	4E	1 + 3
12.	EHWA24-B06	4C	1
13.	EHWC03A-C06	4C	1
14.	EHWC03A-C09	4C	1
15.	EHWH02A-A04	4A	1
16.	EHWH02A-A08	4B	1
17.	EHWH03-B06	4C	1
18.	EHWH03-B09	4C	1
19.	EHWH03A-C15	4E	1 + 3
20.	EHWH24-B06	4C	1
21.	EHWH24B-C06	4C	1
22.	EHWH30-A05	4A	1
23.	EHWH30-A10	4B	1
24.	EHWH36-A05	4A	1
25.	EHWH36-A10	4B	1
26.	EHWH36-A15	4D	2
27.	EHWH36-B15	4E	1 + 3
28.	EHWA24A-A04	4A	1
29.	EHWH26-A05	4A	1
30.	EHWH31-A05	4A	1
31.	EHWH31-A08	4B	1
32.	EHWH31-B06	4C	1
33.	EHWH31-C06	4C	1
34.	EHWH31DB06	4B	1

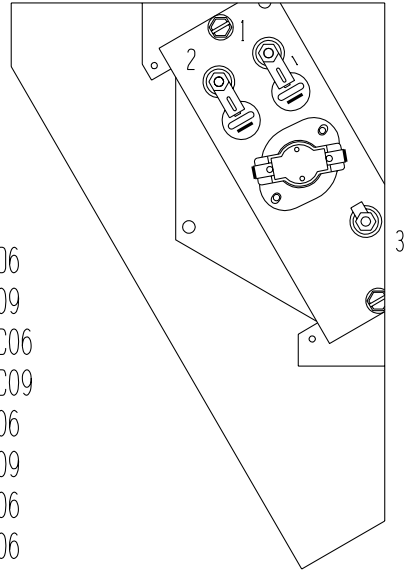
**FIGURE 4  
A THRU D**

**FIGURE 4A**



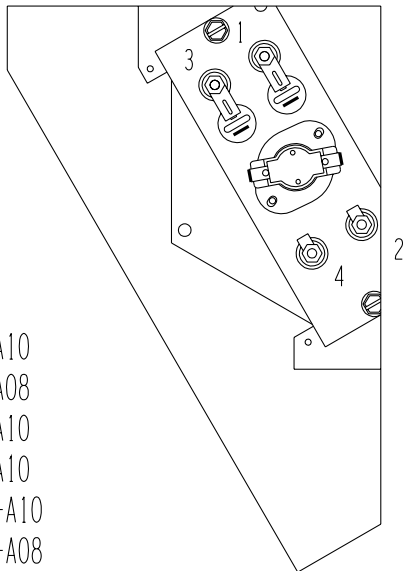
EHWA24A-A04  
 EHHH36-A05  
 EHHH30-A05  
 EHWA03-A05  
 EHHH02A-A04  
 EHWA02-A05

**FIGURE 4C**



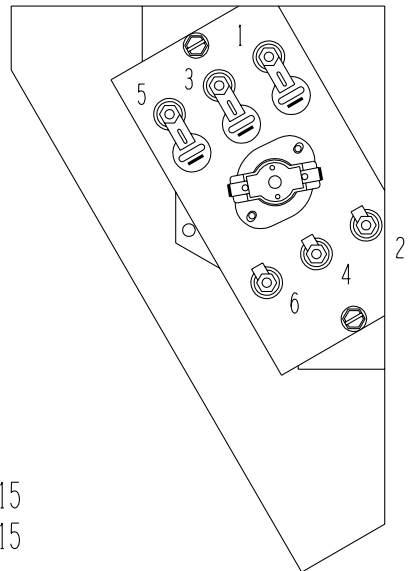
EHWA03-B06  
 EHWA03-B09  
 EHC03A-C06  
 EHC03A-C09  
 EHHH03-B06  
 EHHH03-B09  
 EHHH24-B06  
 EHWA24-B06  
 EHHH24B-C06  
 EHHH31DB06

**FIGURE 4B**



EHWA03-A10  
 EHWA03-A08  
 EHHH30-A10  
 EHHH36-A10  
 EHWA02A-A10  
 EHWA02A-A08  
 EHHH02A-A08

**FIGURE 4D**

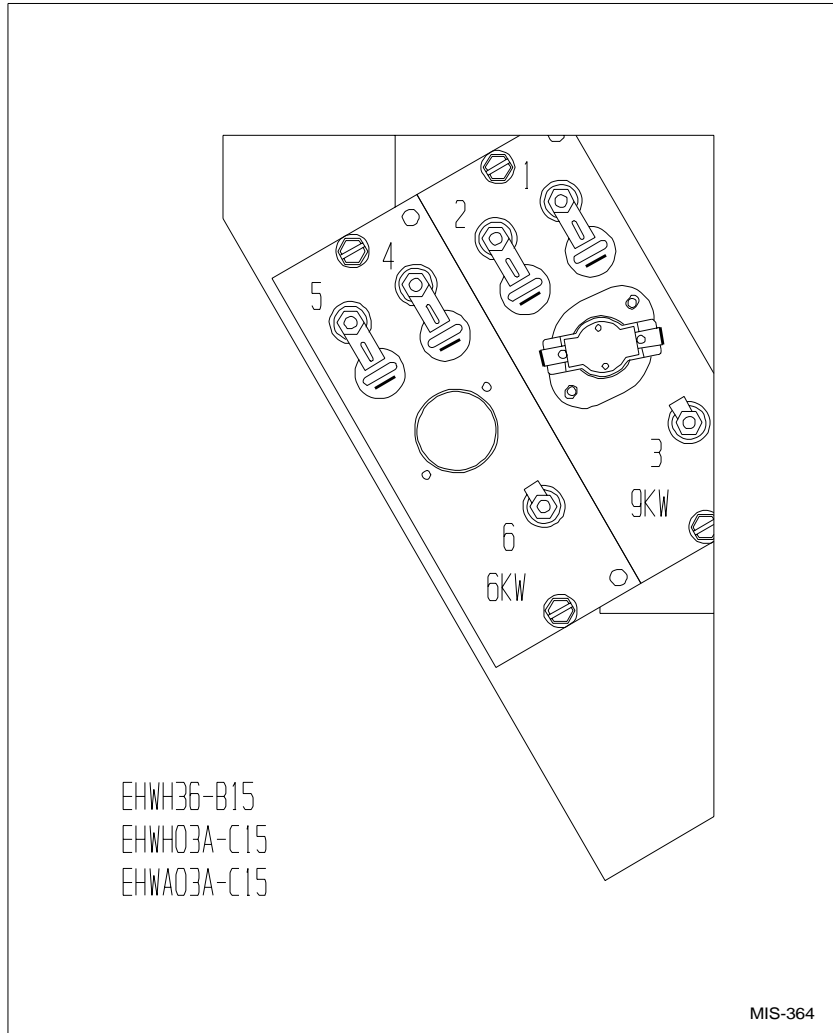


EHHH36-A15  
 EHWA03-A15

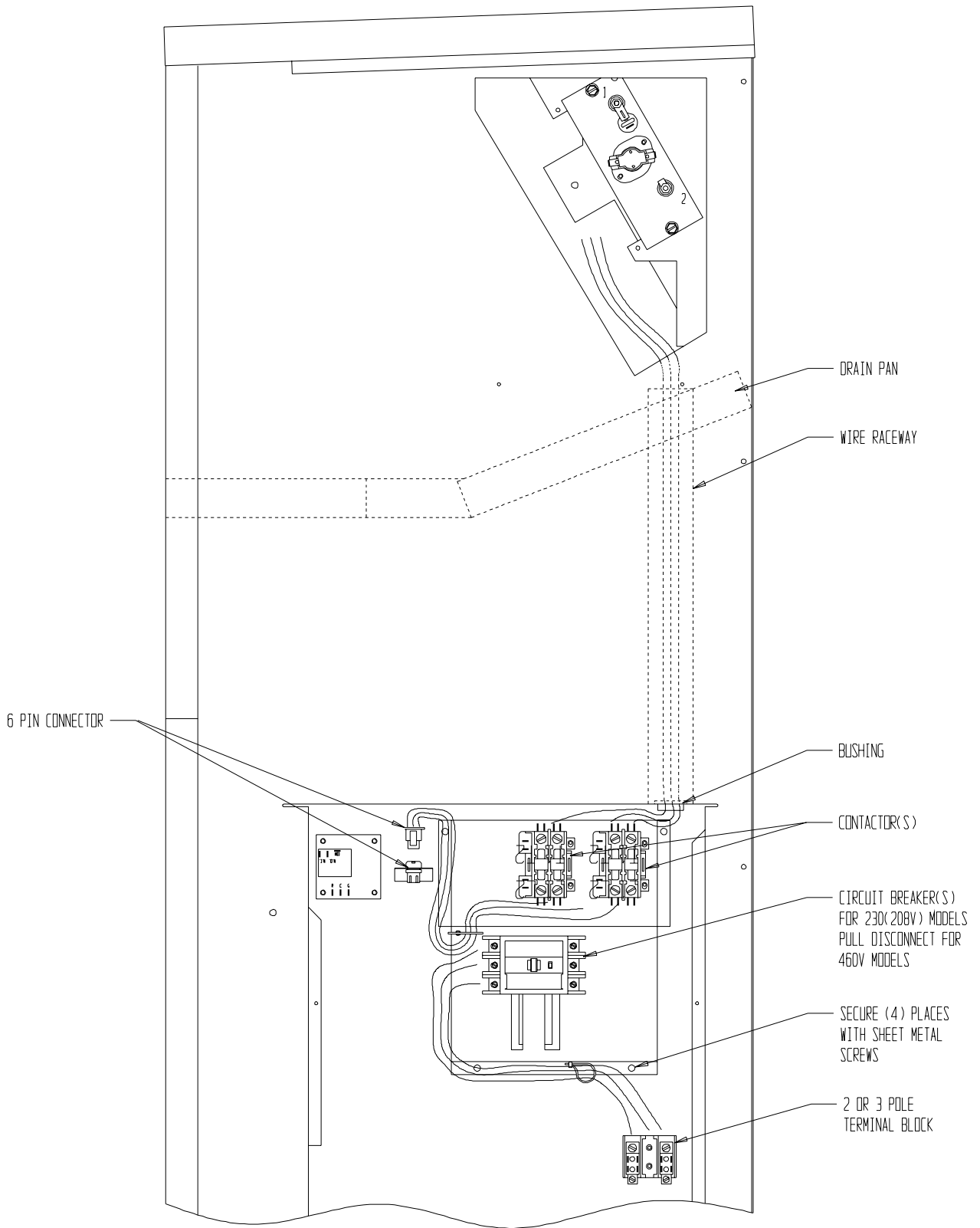
NOTE: THERMAL CUTOFFS TO BE AT  
 TOP OF AIR FRAME WHEN INSTALLING.

MIS-363

**FIGURE 4E**  
**INSTALL HEATER PACKAGE WITH**  
**TWO HEAT STRIPS**



**FIGURE 5  
INSTALLING HEATER BASE  
AND CONNECTING**



MIS-422

**FIGURE 6  
SERIAL PLATE SHOWING  
APPROVED HEATER PACKAGES**

INSTALL ONLY HEATER PACKAGES LISTED HERE.

(X)	( )	( )	( )	( )	( )
( )	(X)	( )	( )	( )	( )
( )	( )	(X)	( )	( )	( )
( )	( )	( )	(X)	( )	( )
( )	( )	( )	( )	(X)	( )

ASSURE THAT SERIAL PLATE IS CLEAN AND DRY, REMOVE APPROPRIATE LABEL STRIP FOR KW REQUIRED AND REMARK SERIAL PLATE AS SHOWN FOR THE HEATER PACKAGE THAT IS INSTALLED

BARD MANUFACTURING COMPANY, 1914 RANDOLPH DRIVE

( 1 )  
APPROVED  
HEATER  
PACKAGE

MODEL	APPROVED HEATER PACKAGE	VAC	HZ
[ ( ) ] WA361-A0012345	NONE	230/208	60
[ ( ) ] WA361-A0512345	EHWA03-A05	230/208	60
[ (X) ] WA361-A0812345	EHWA03-A08	230/208	60
[ ( ) ] WA361-A1012345	EHWA03-A10	230/208	60
[ ( ) ] WA361-A1512345	EHWA03-A15	230/208	60

BRANCH CIRCUIT SELECT CURRENT 17 OPERATION

SERIAL NUMBER 125H920711193-01 UL FILE NO.

SUITABLE FOR OUTDOOR USE

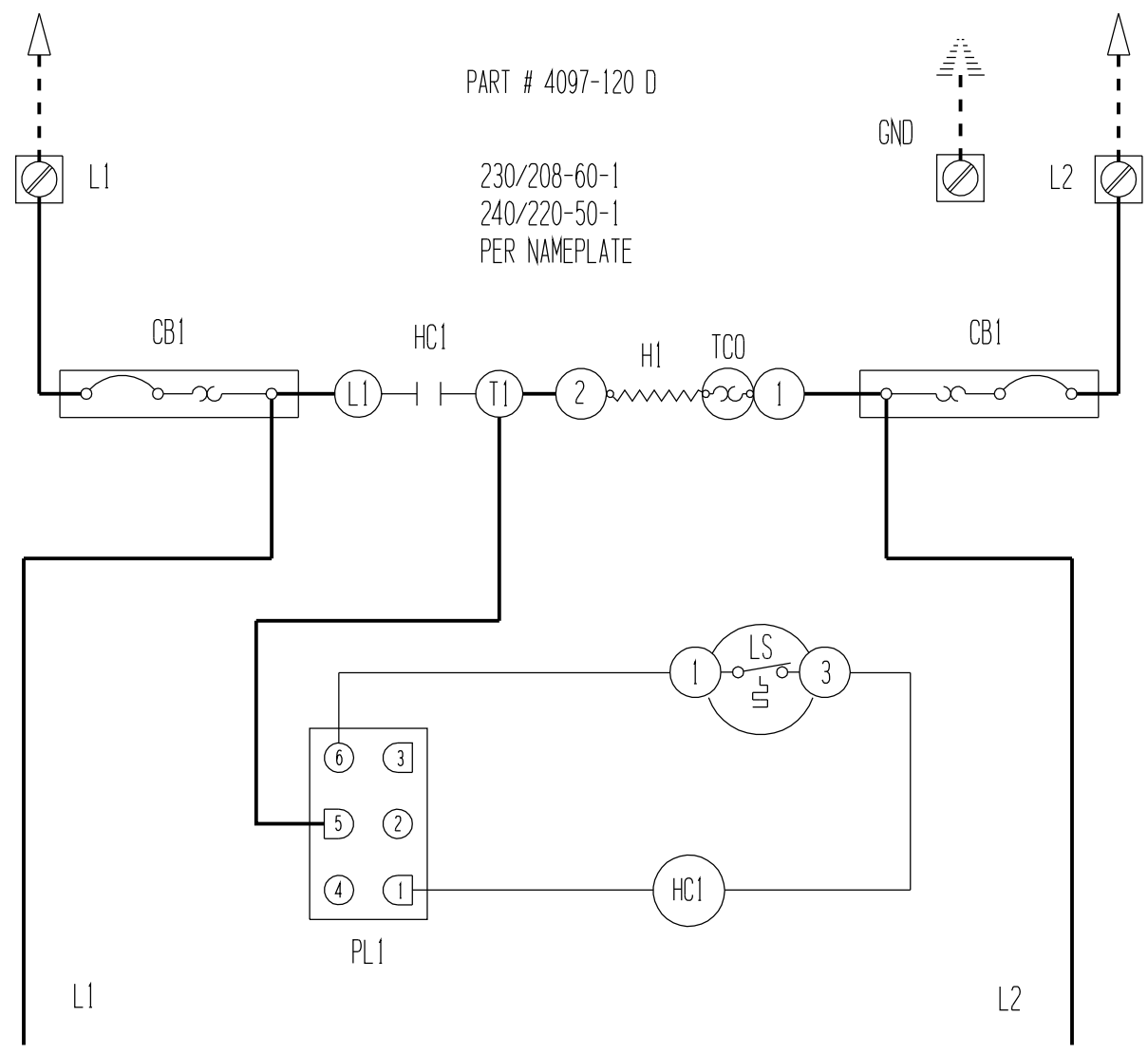
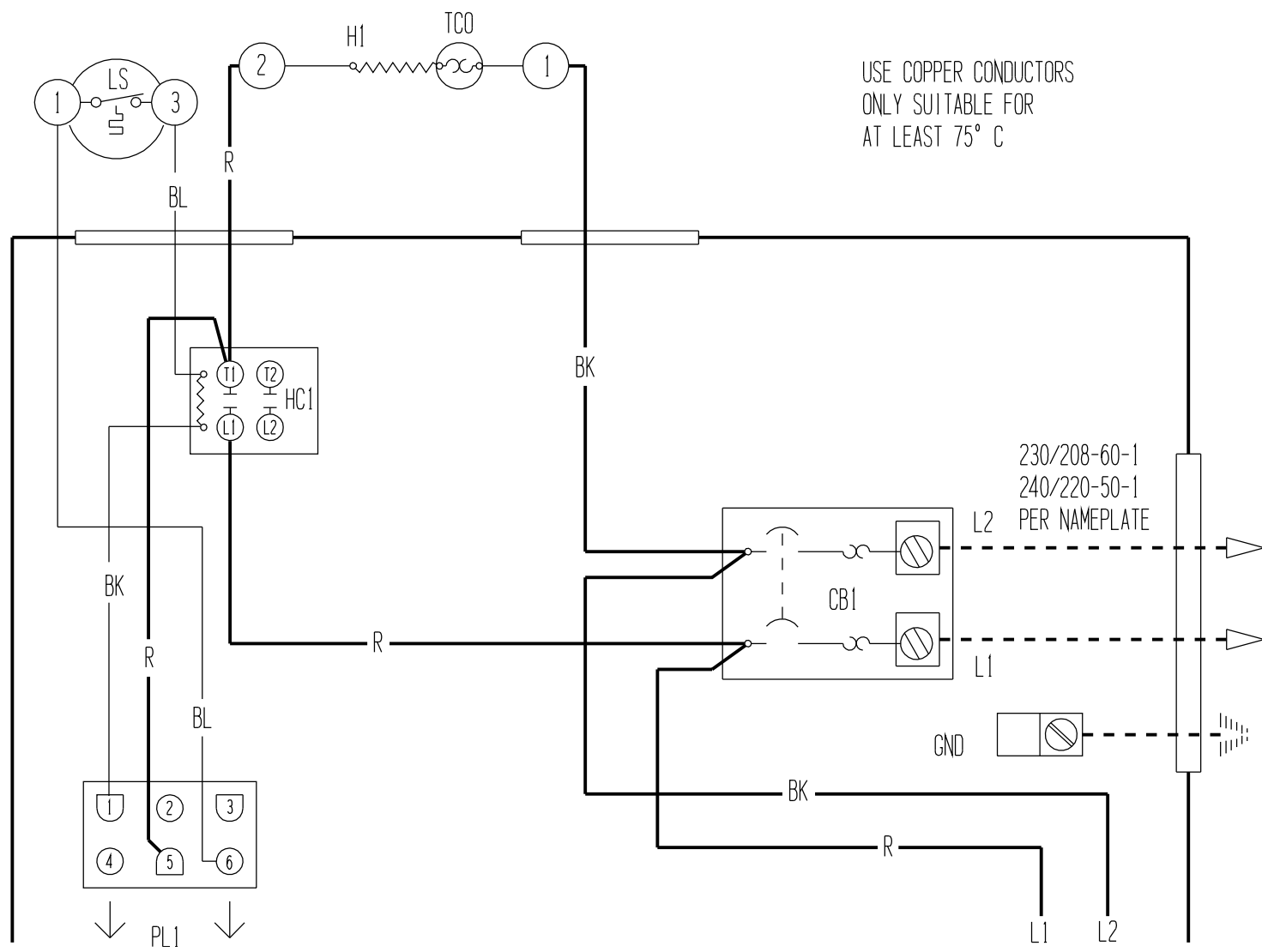
	VAC	HZ	PH	ELECTRICAL HP
COMPRESSOR	230/208	60	1	
OUTDOOR MOTOR	230/208	60	1	1/5
INDOOR MOTOR	230/208	60	1	1/3

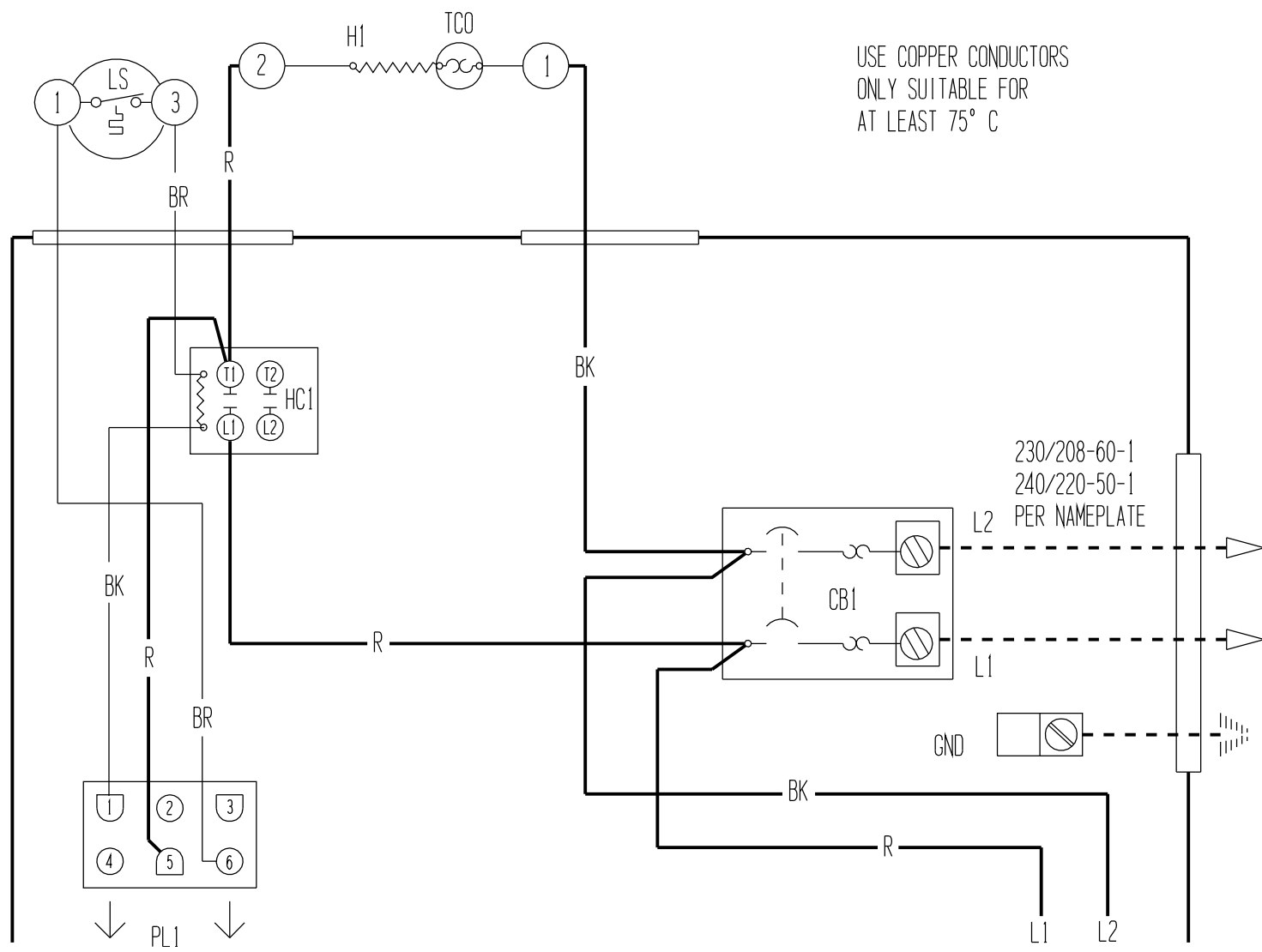
HEATER PACKAGE	VAC	HZ	PH	KW
EHWA03-A05	240/208	60	1	5/3.75
EHWA03-A08	240/208	60	1	8/6
EHWA03-A10	240/208	60	1	10/7.5
EHWA03-A15	240/208	60	1	15/11.25

-- FACTORY

FACTORY CHARGED R22: 68 OZ. DESI

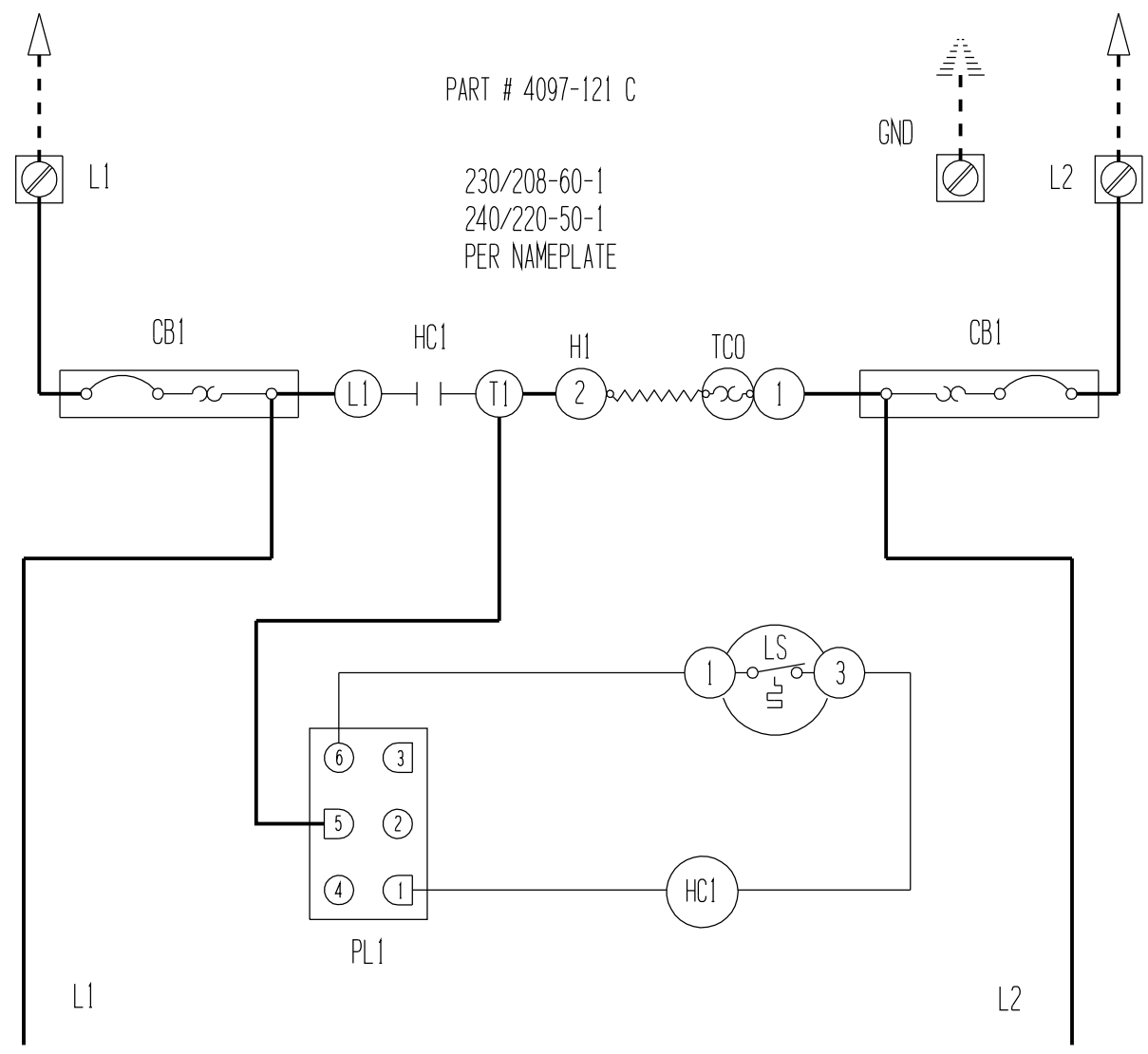
-- CLEAR





USE COPPER CONDUCTORS  
ONLY SUITABLE FOR  
AT LEAST 75° C

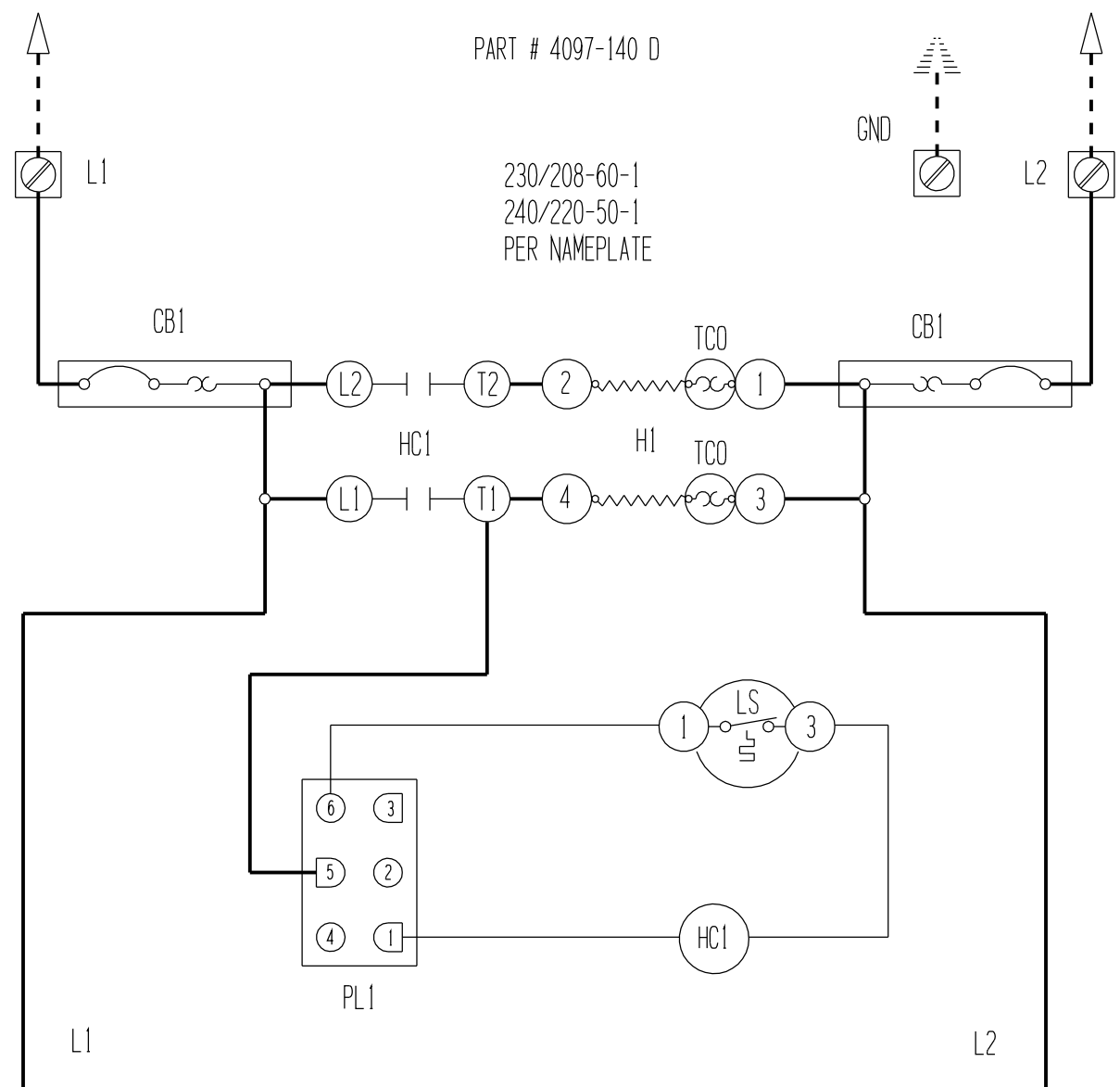
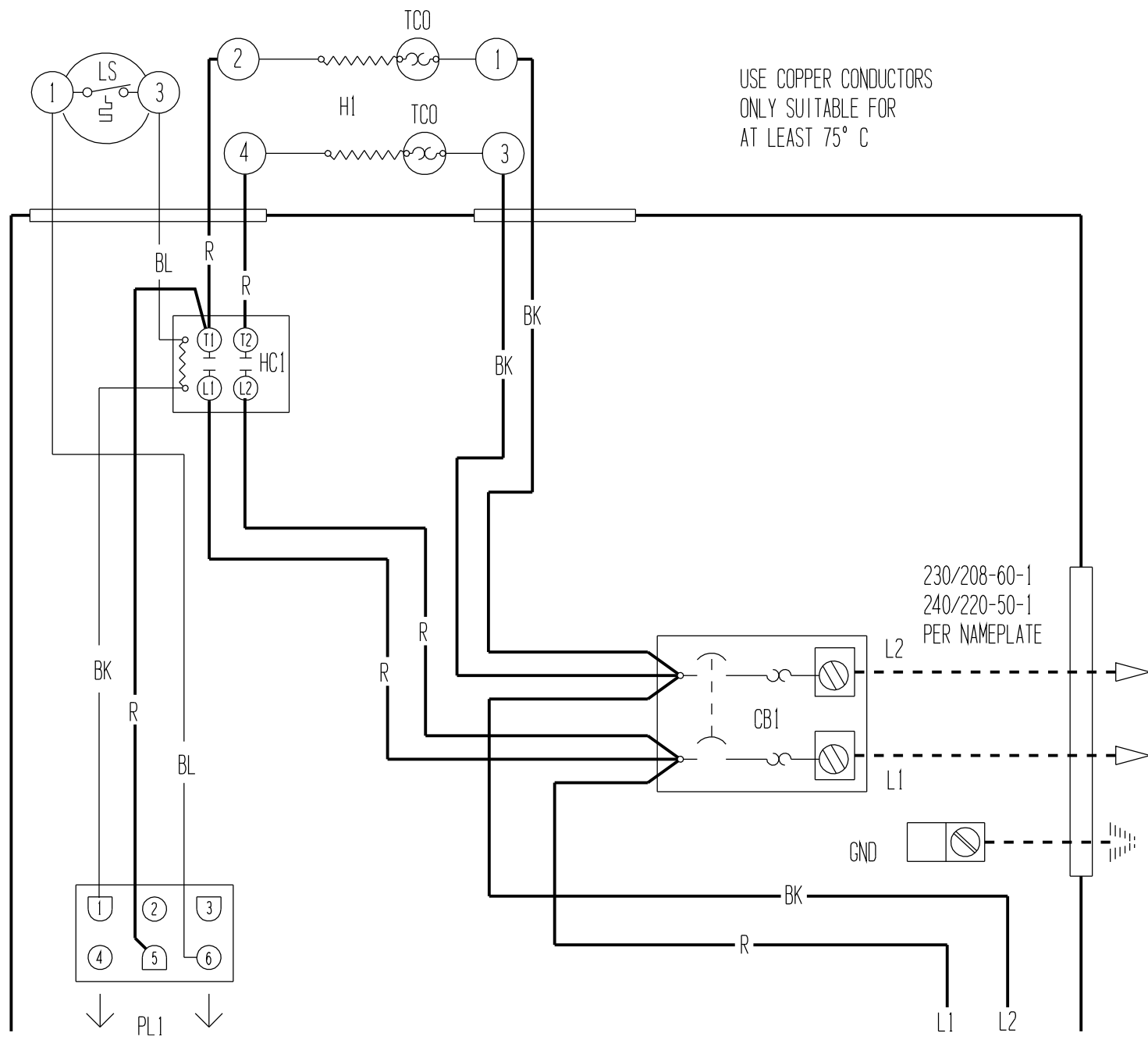
230/208-60-1  
240/220-50-1  
PER NAMEPLATE

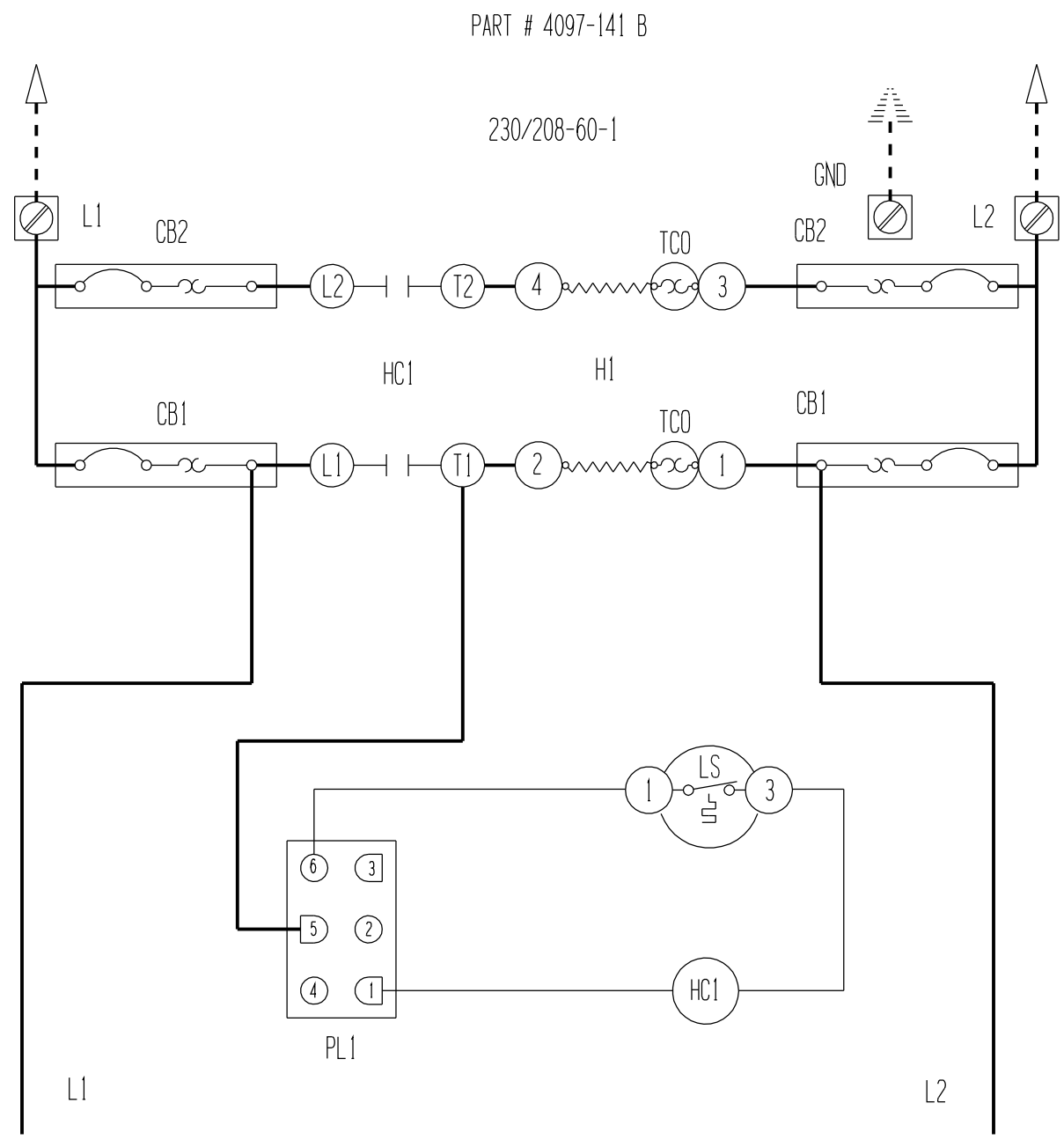
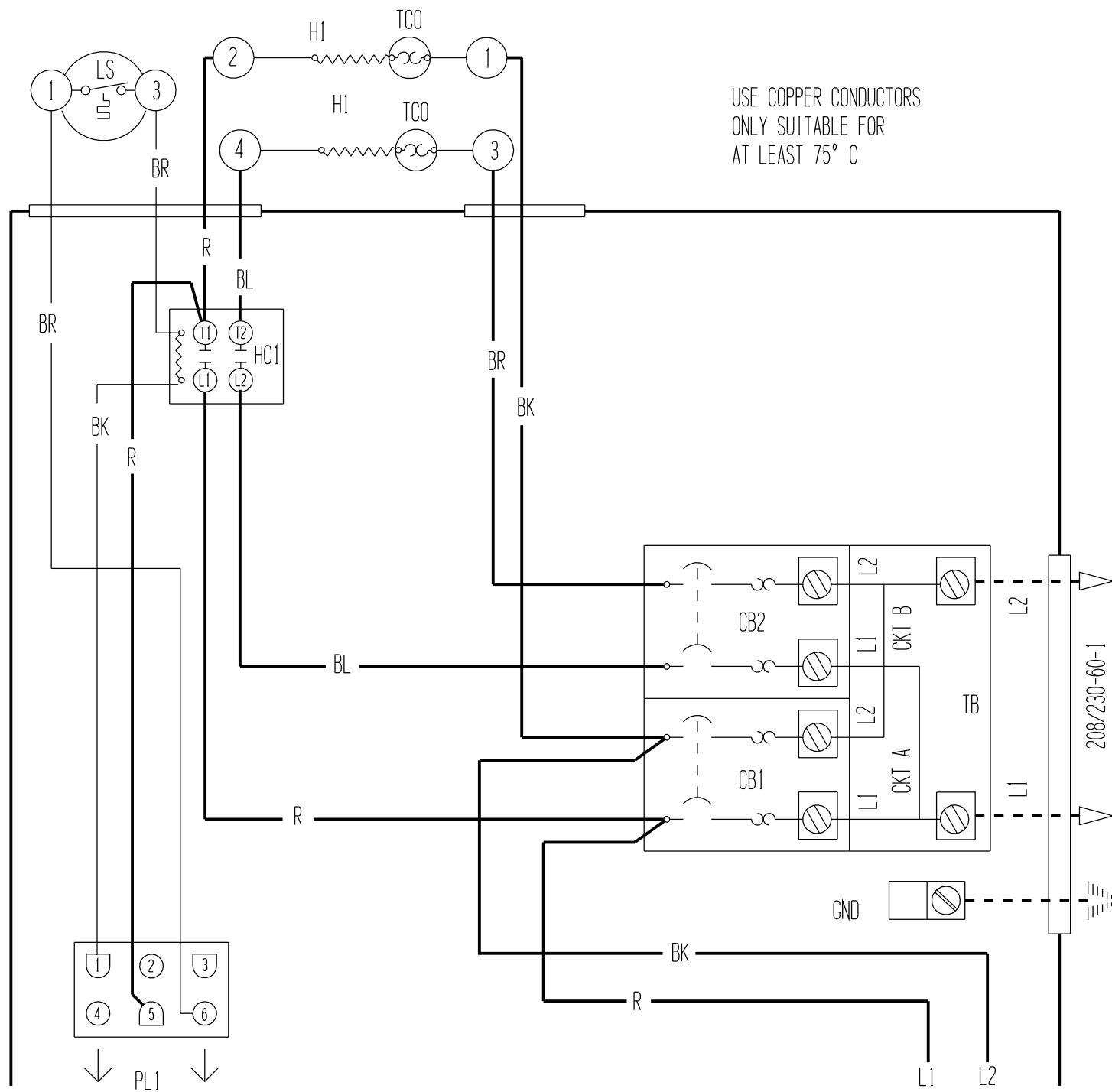


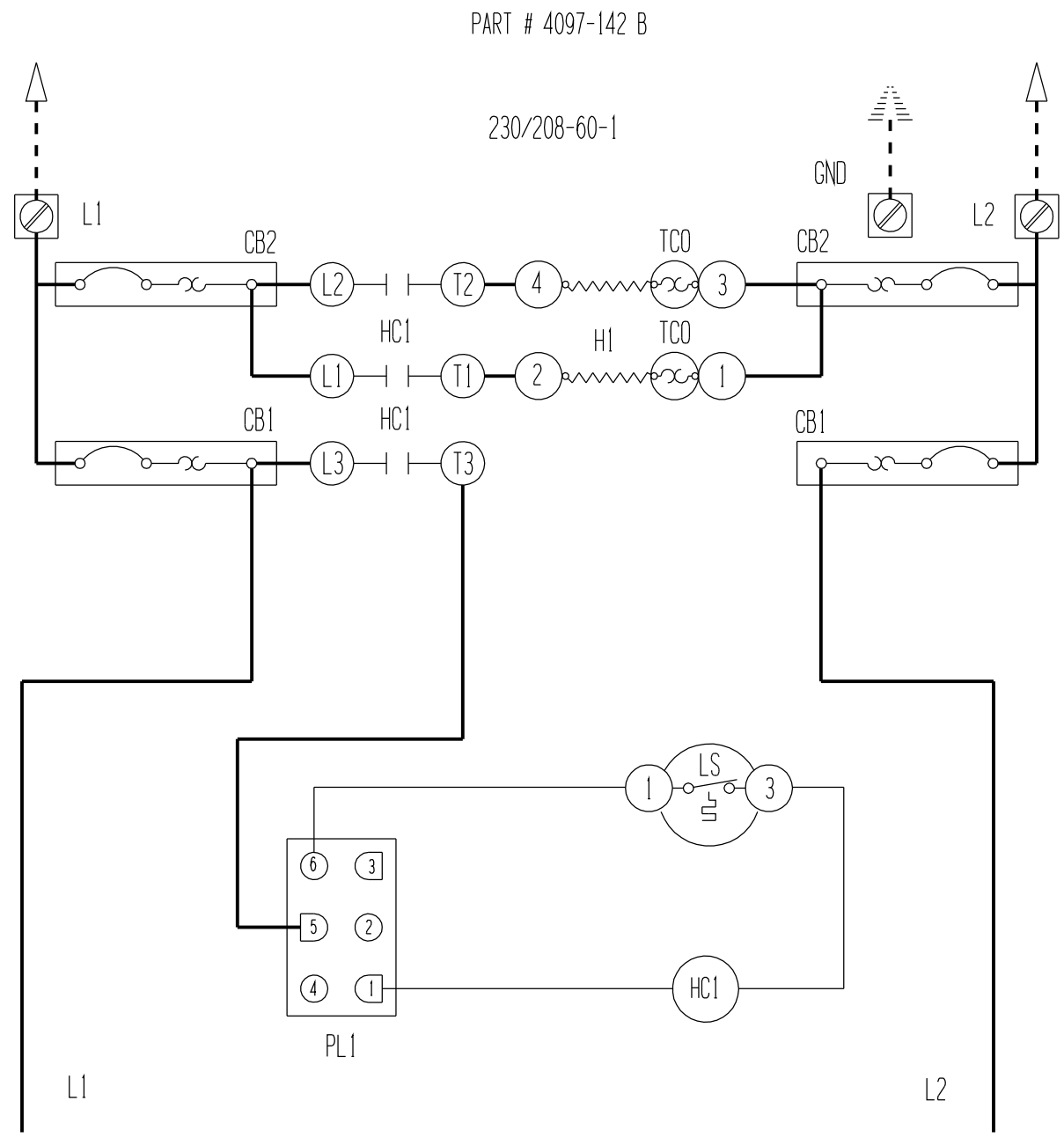
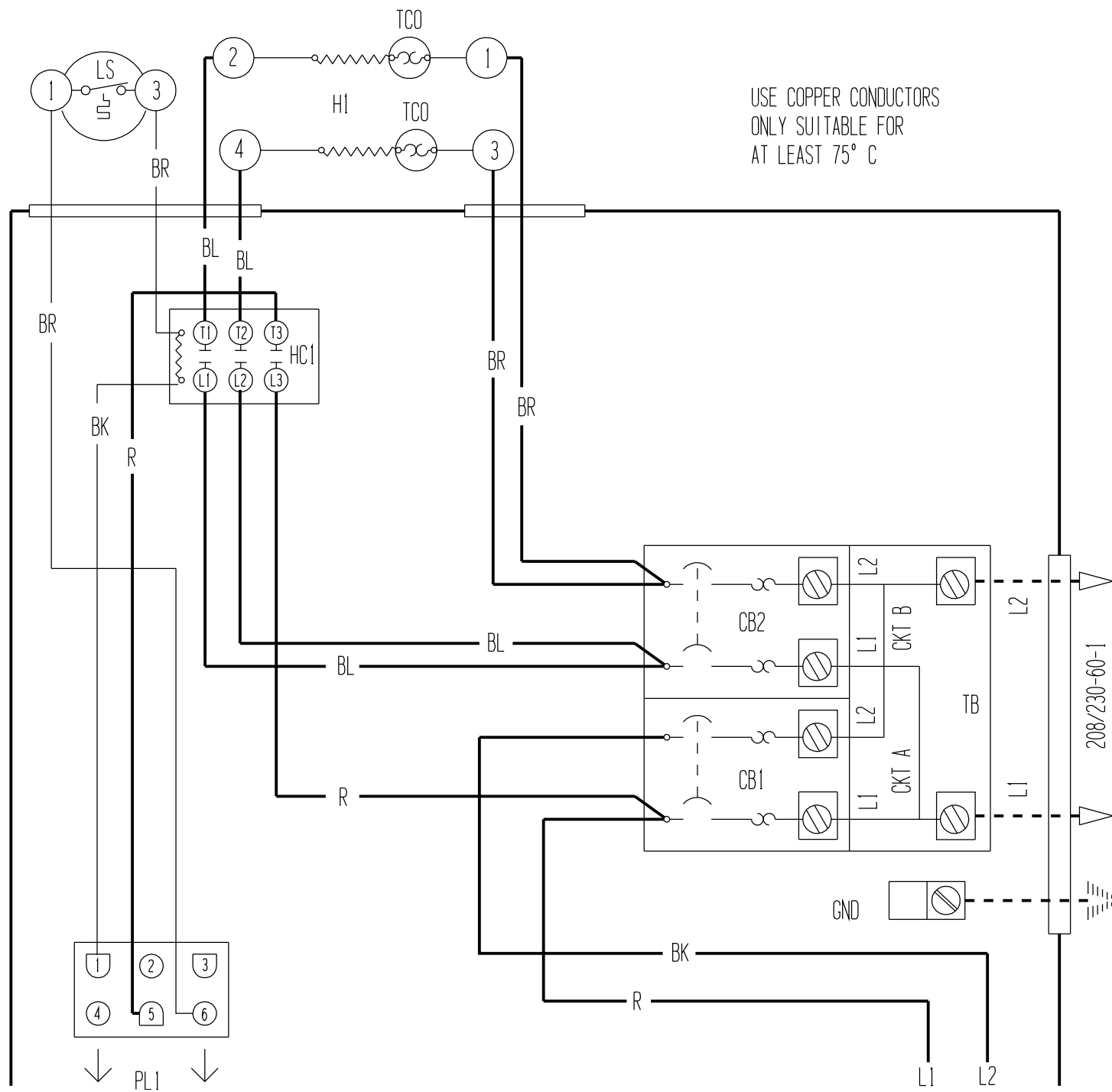
PART # 4097-121 C

230/208-60-1  
240/220-50-1  
PER NAMEPLATE

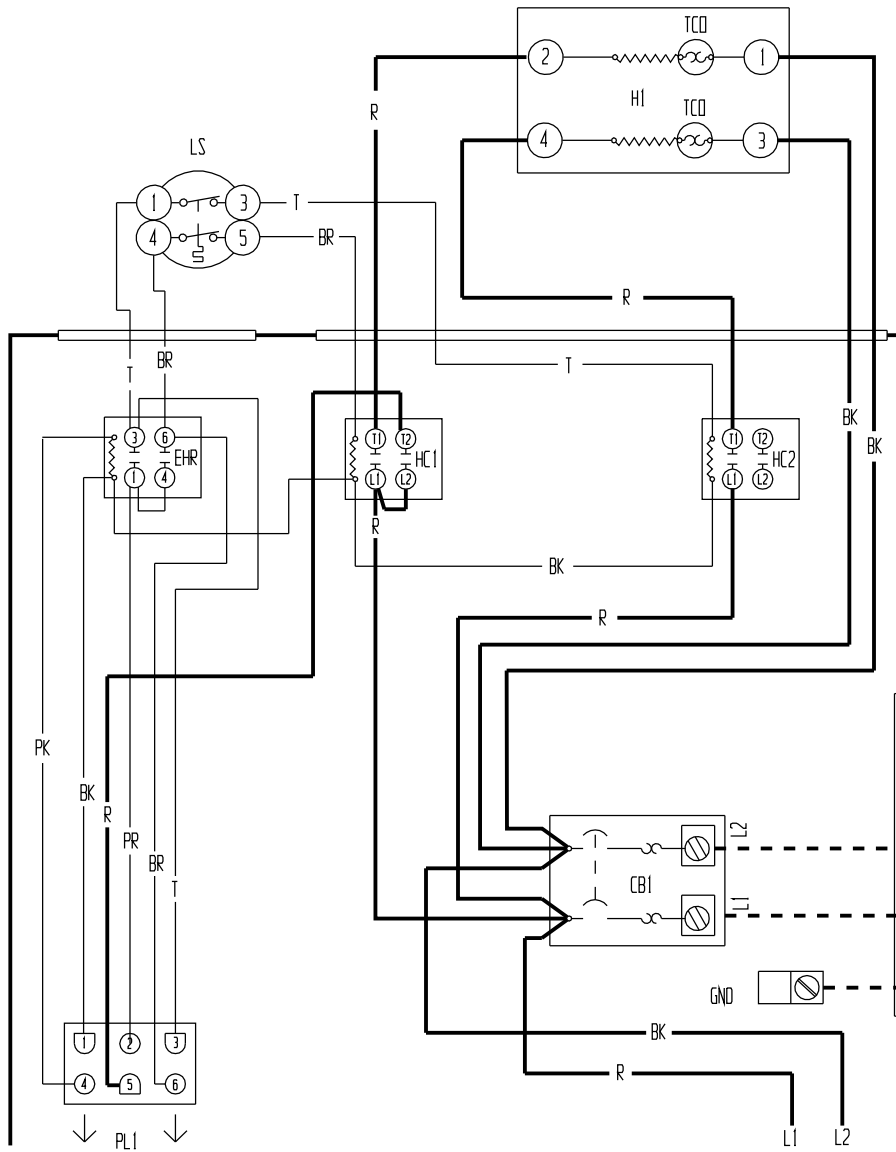








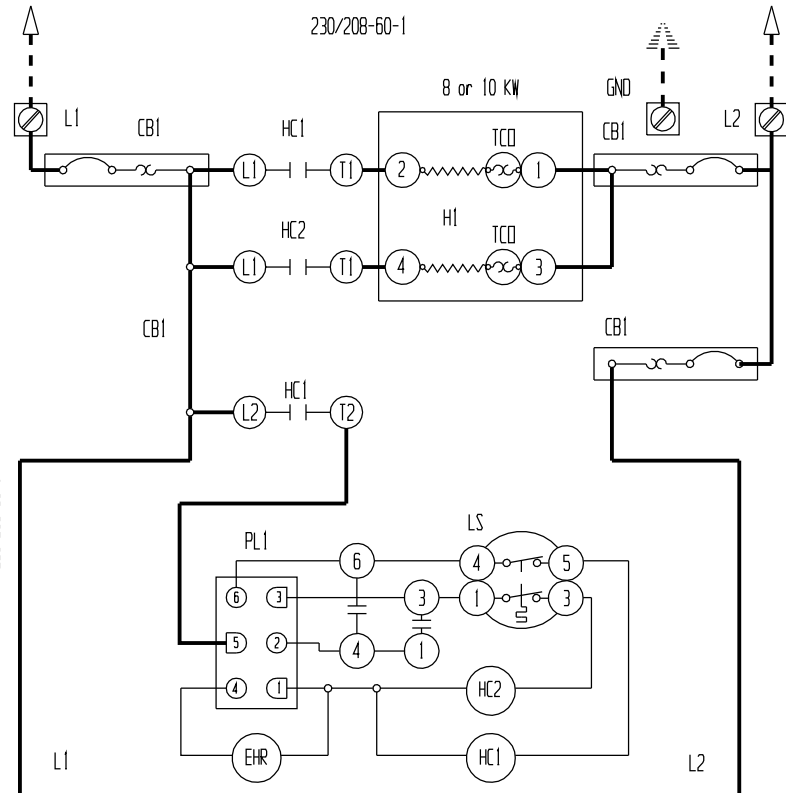
8 or 10 kW

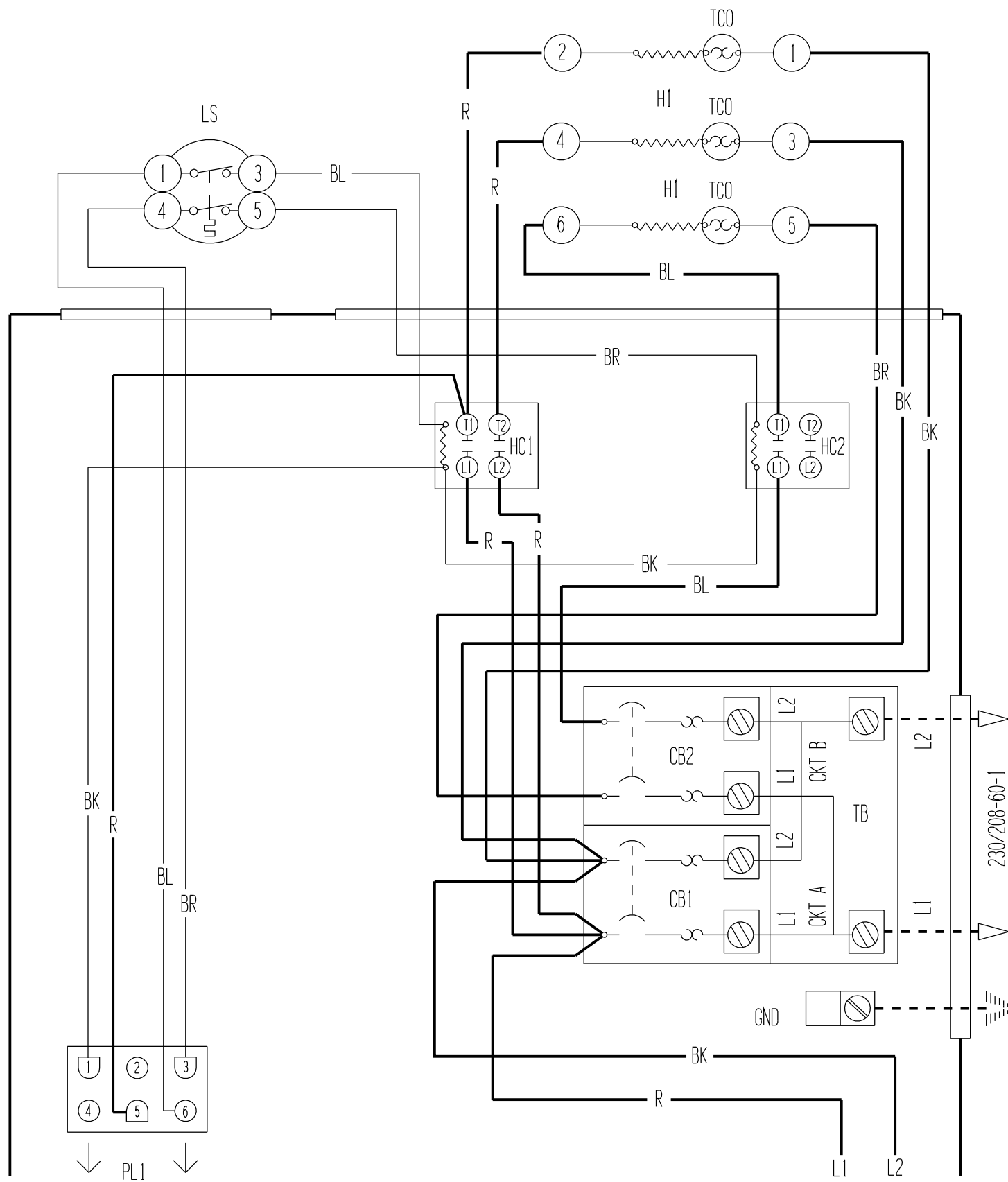


USE COPPER CONDUCTORS  
ONLY SUITABLE FOR  
AT LEAST 75° C

PART # 4097-145

230/208-60-1

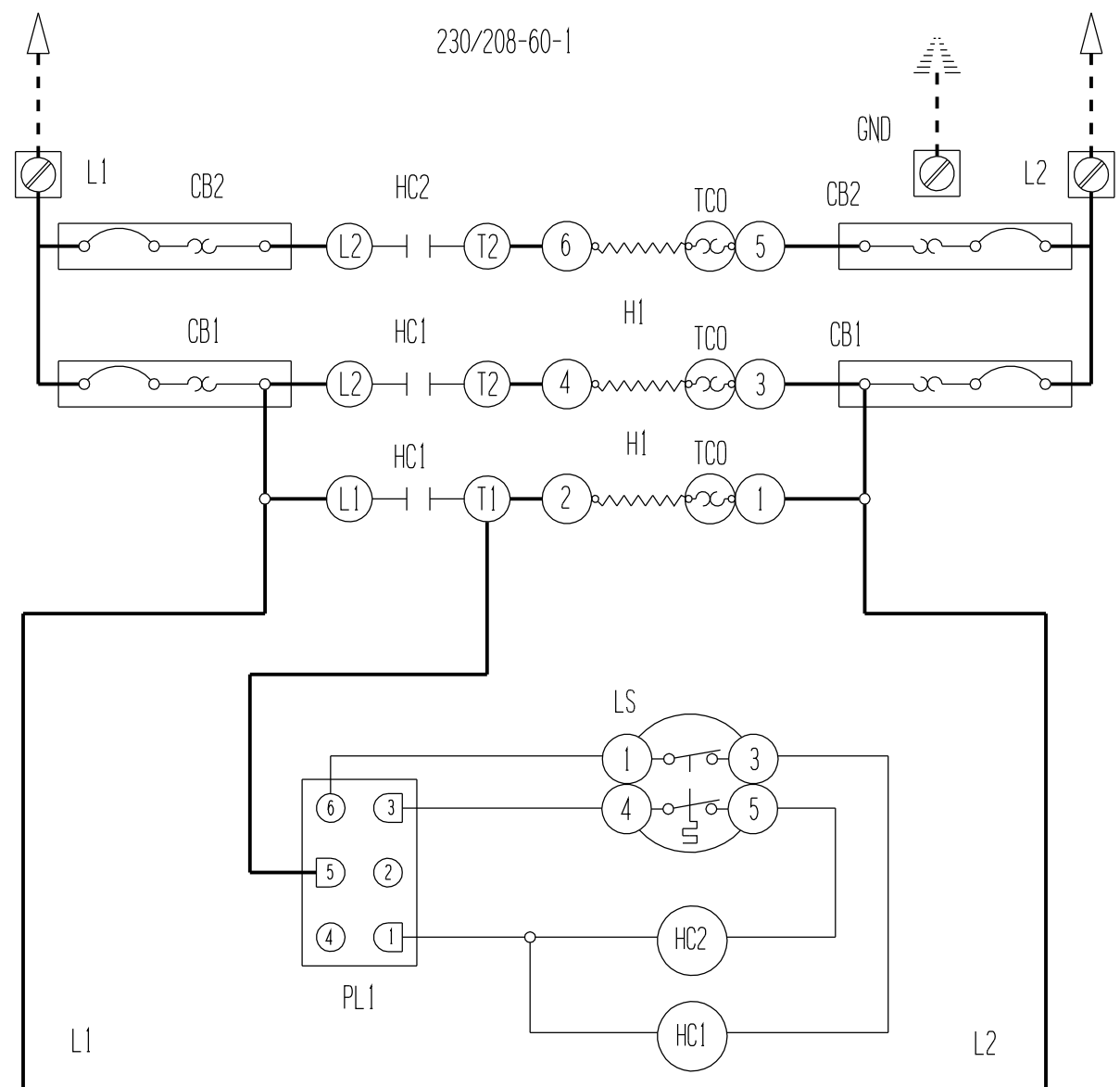




USE COPPER CONDUCTORS  
ONLY SUITABLE FOR  
AT LEAST 75° C

PART # 4097-150 C

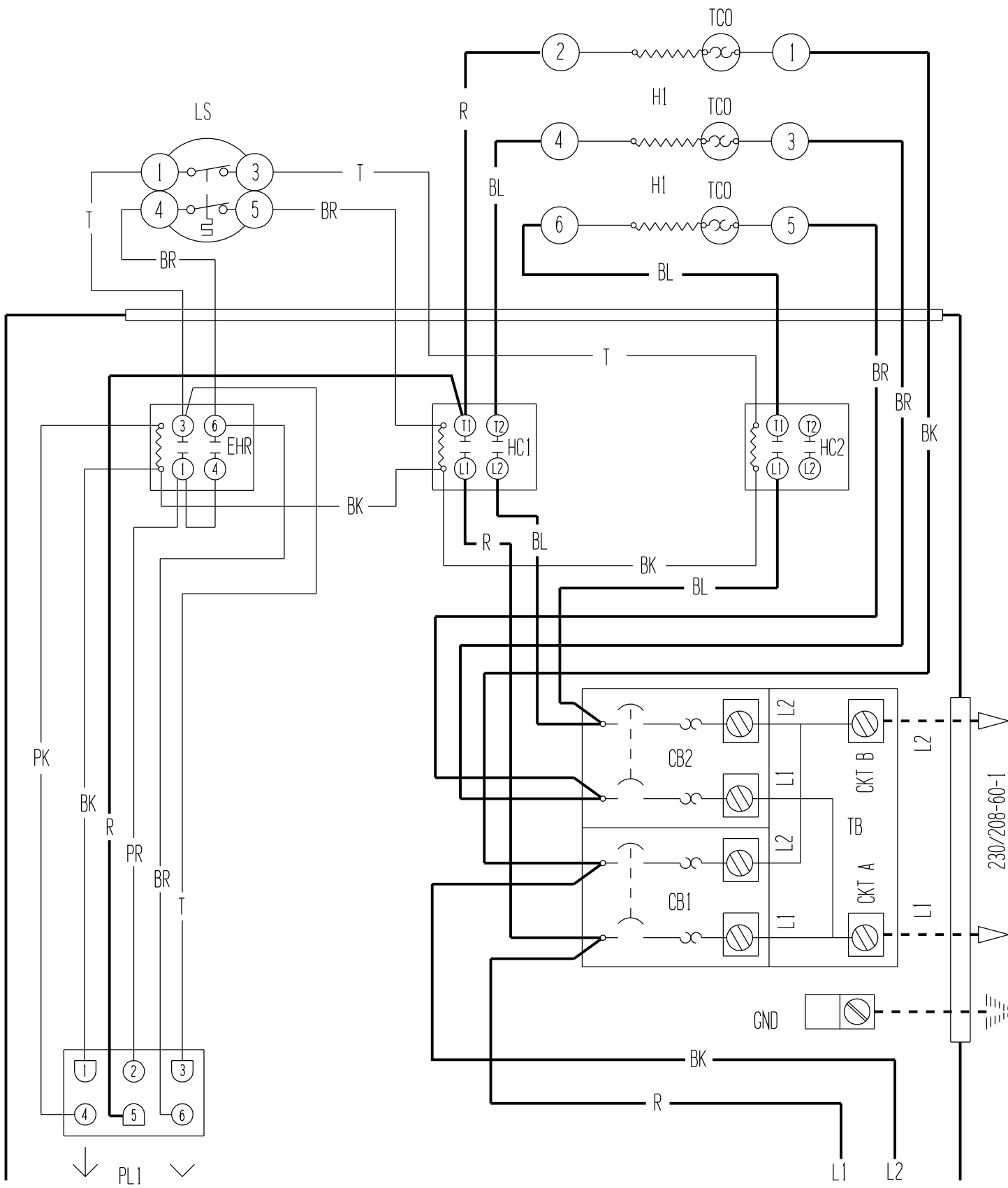
230/208-60-1



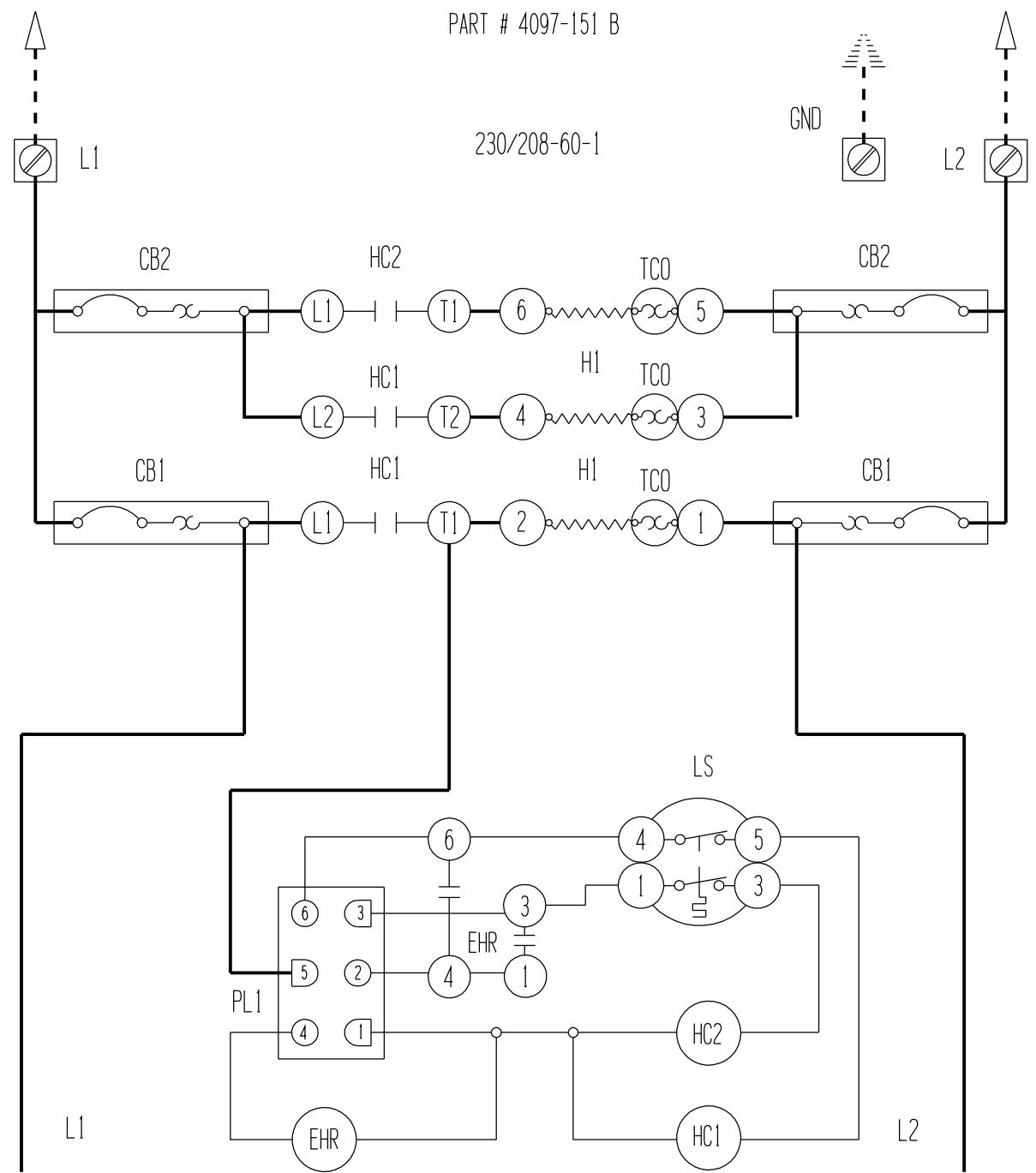
L1

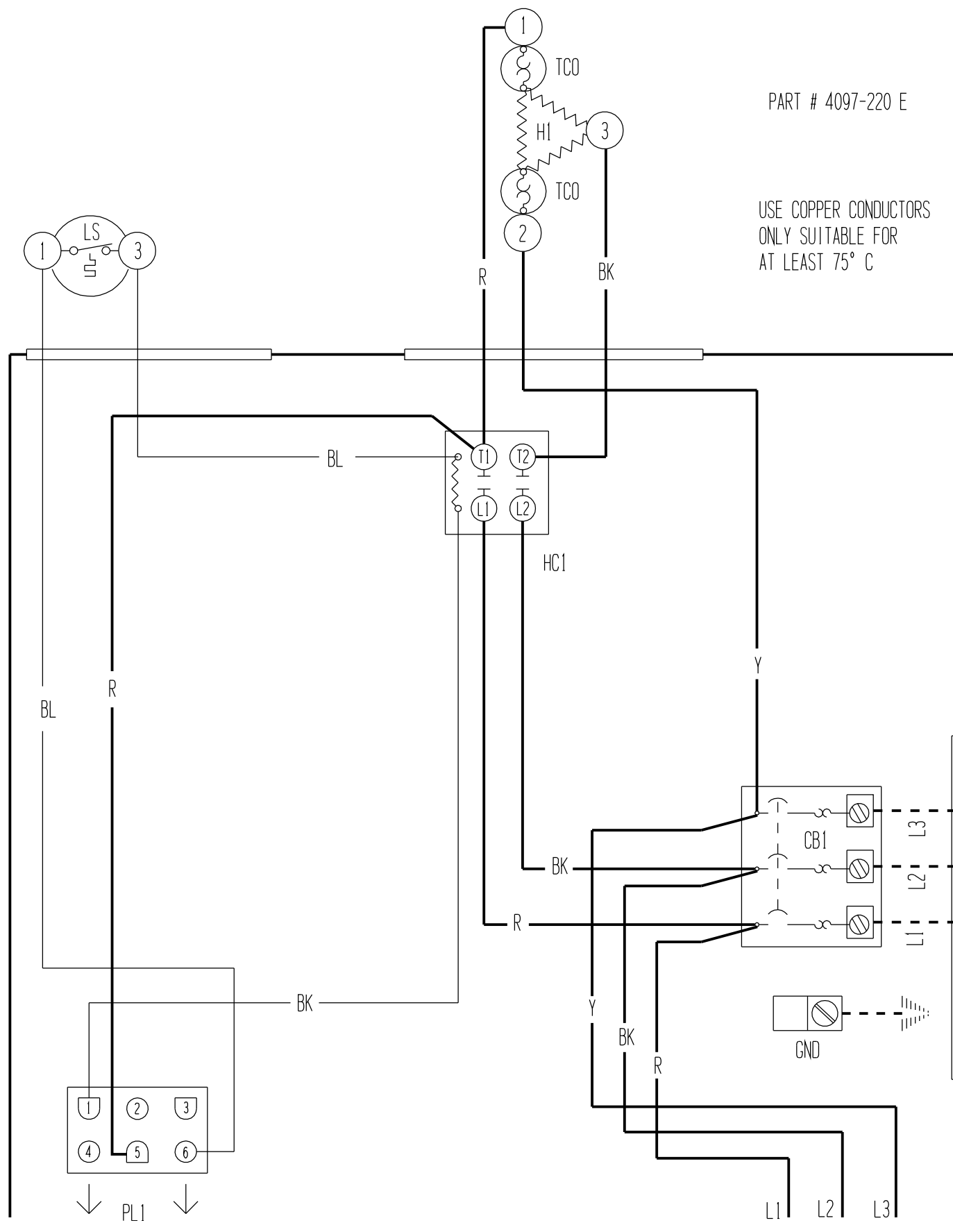
L2

PL1



USE COPPER CONDUCTORS  
ONLY SUITABLE FOR  
AT LEAST 75° C

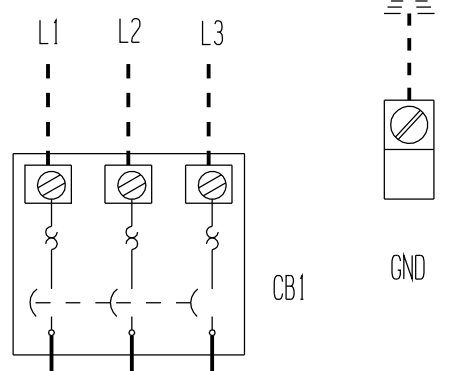




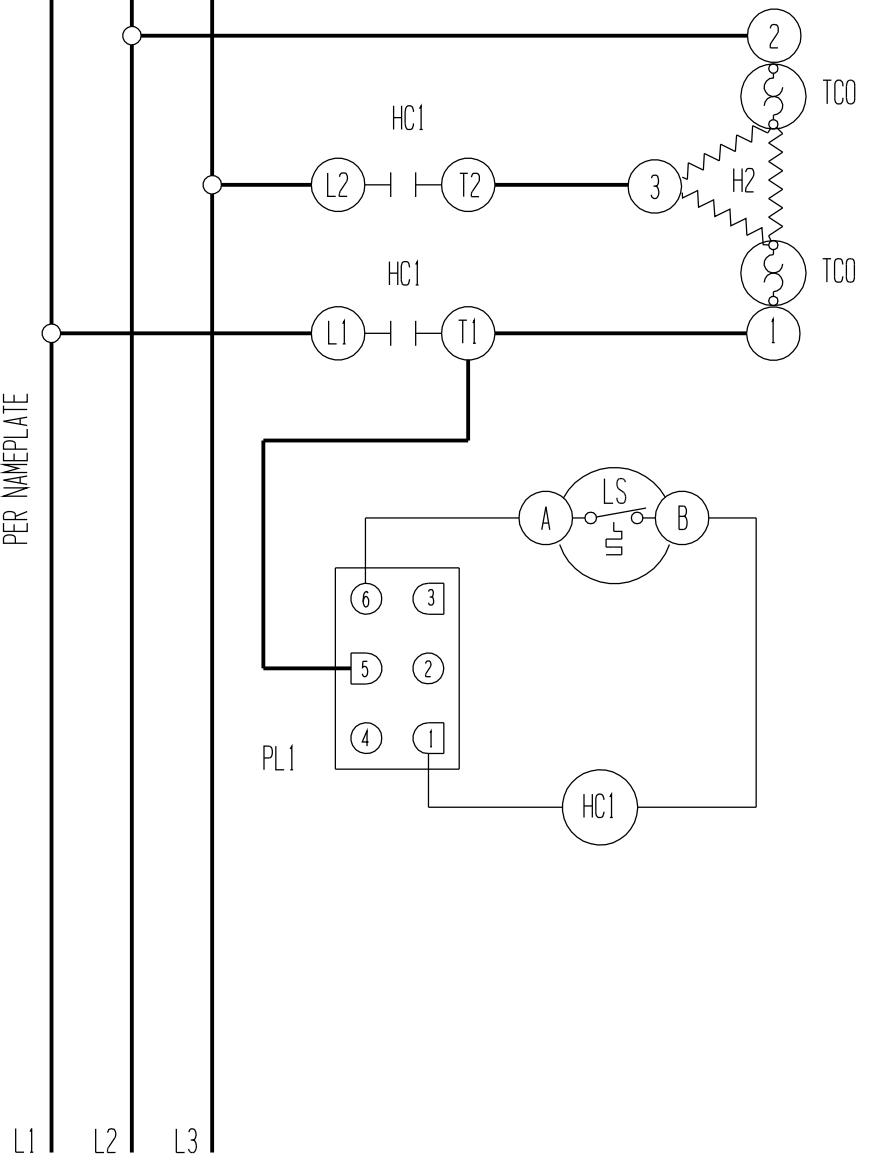
PART # 4097-220 E

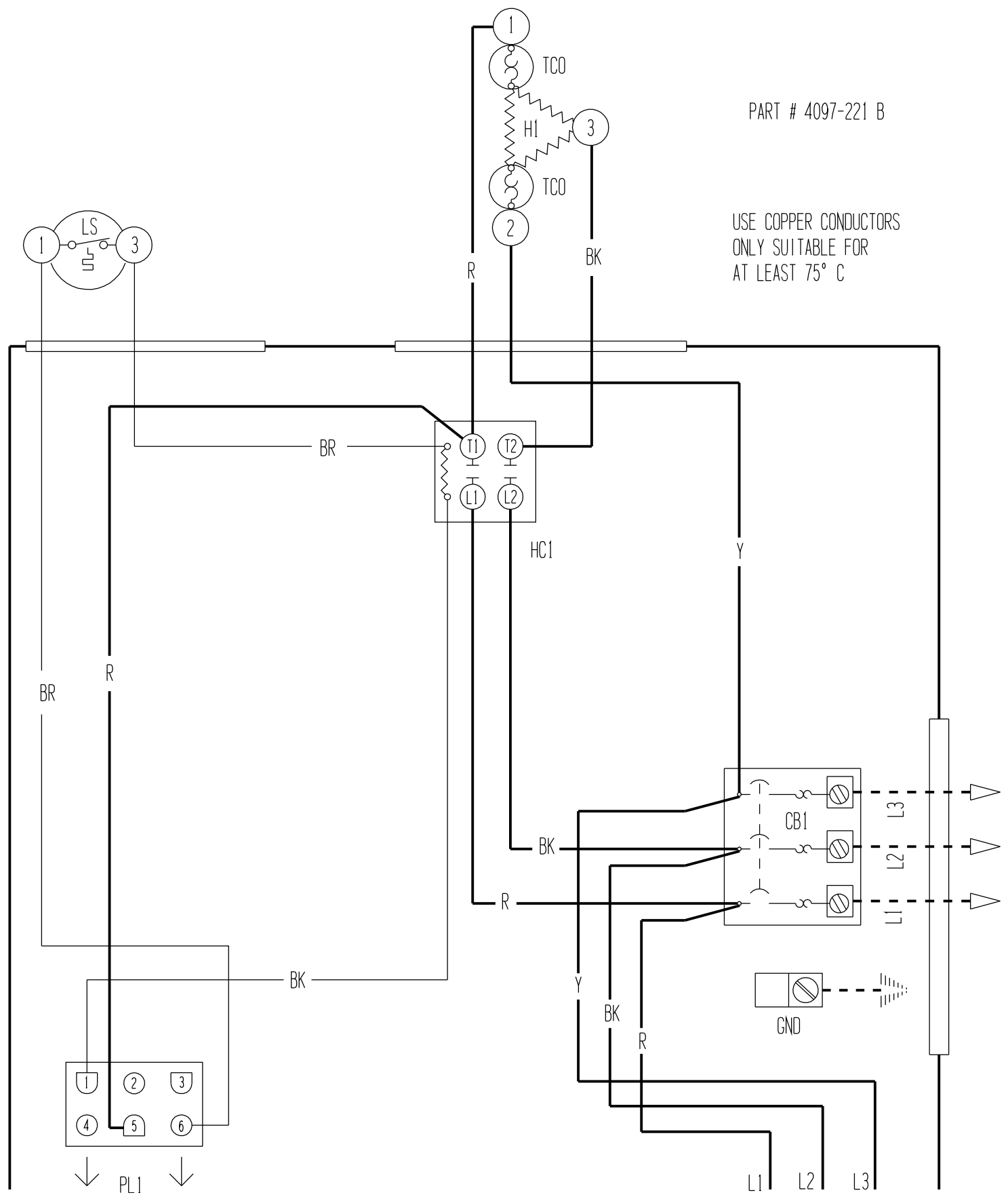
USE COPPER CONDUCTORS  
ONLY SUITABLE FOR  
AT LEAST 75° C

230/208-60-3  
220/200-50-3  
PER NAMEPLATE



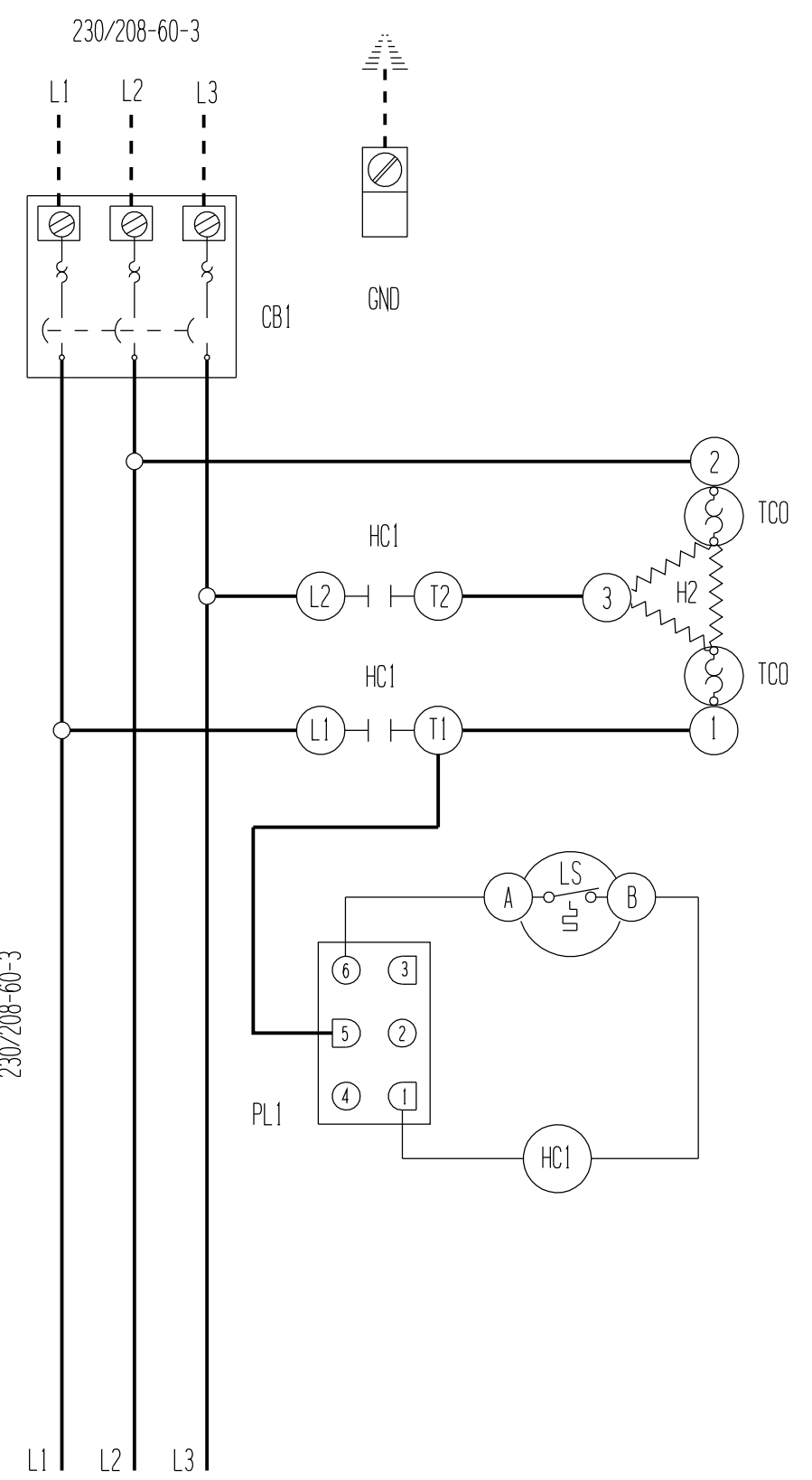
230/208-60-3  
220/200-50-3  
PER NAMEPLATE



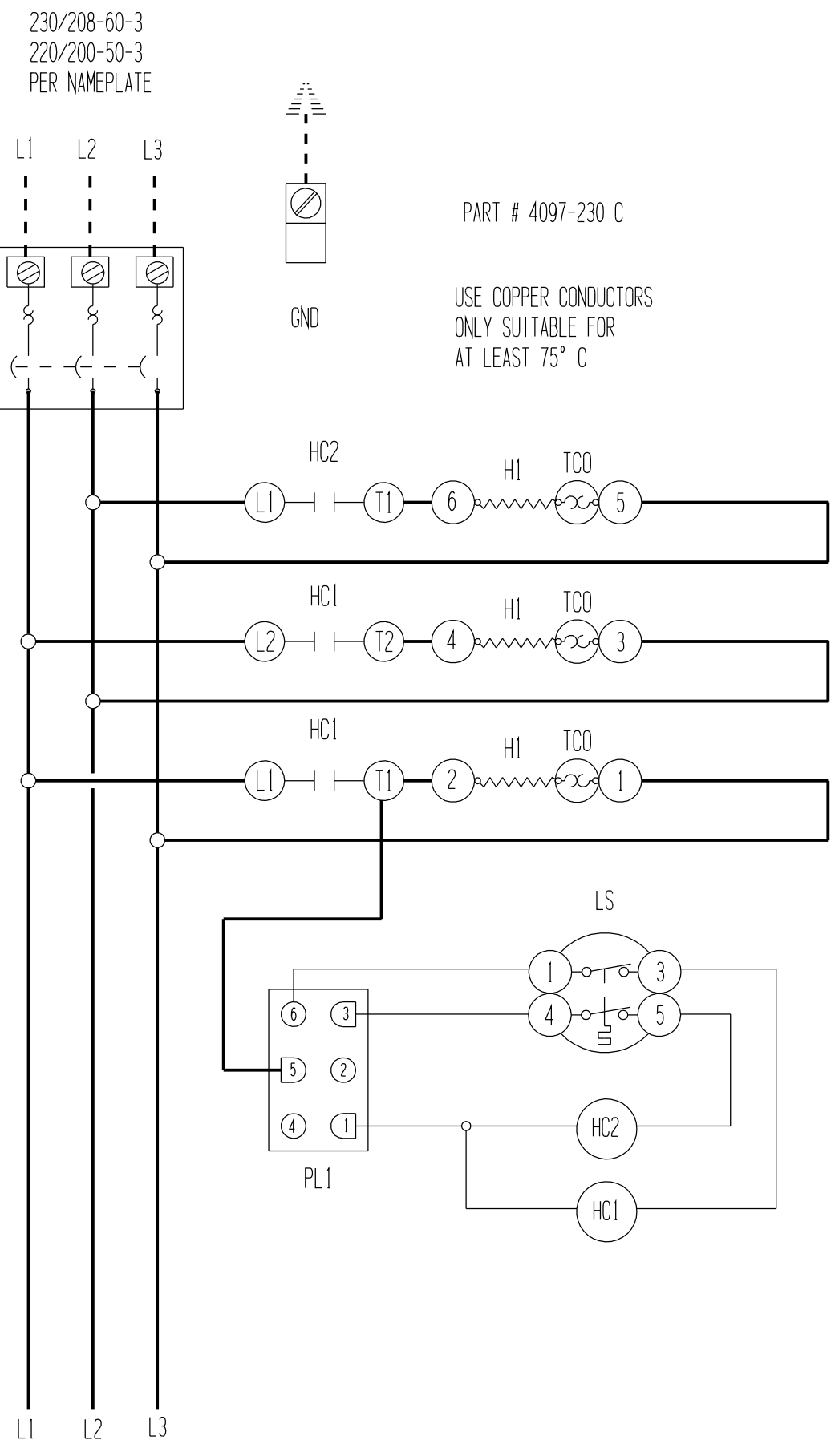
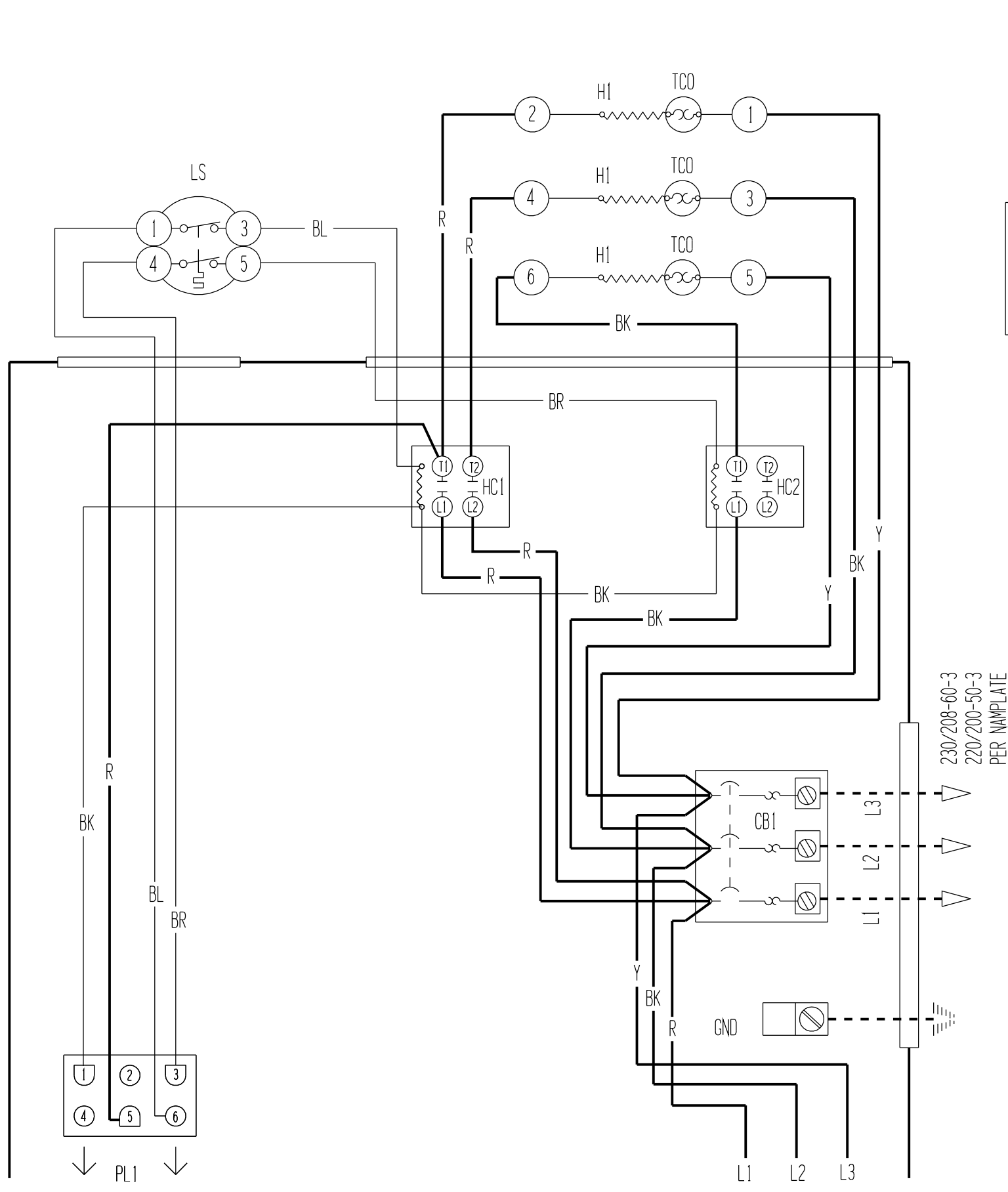


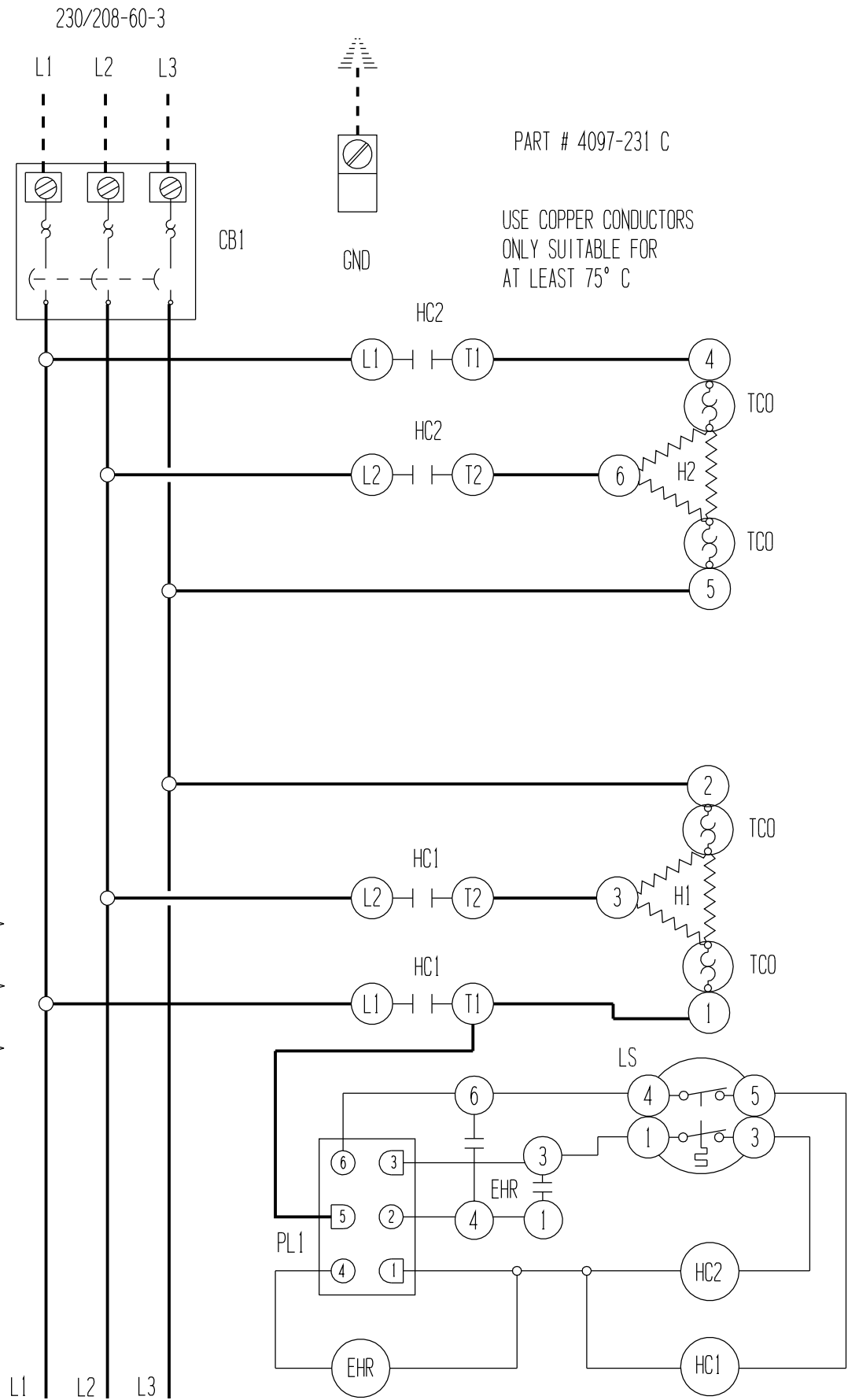
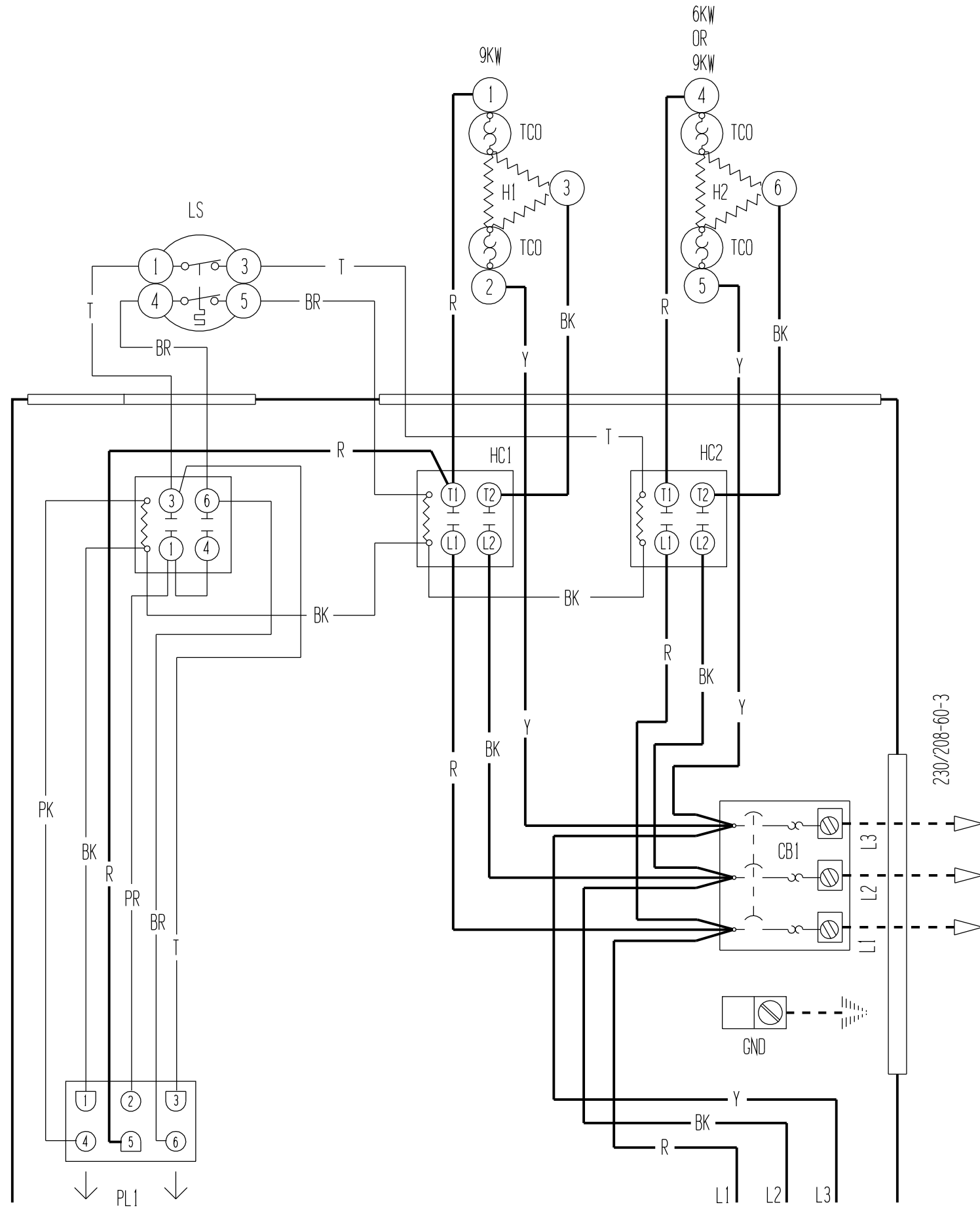
PART # 4097-221 B

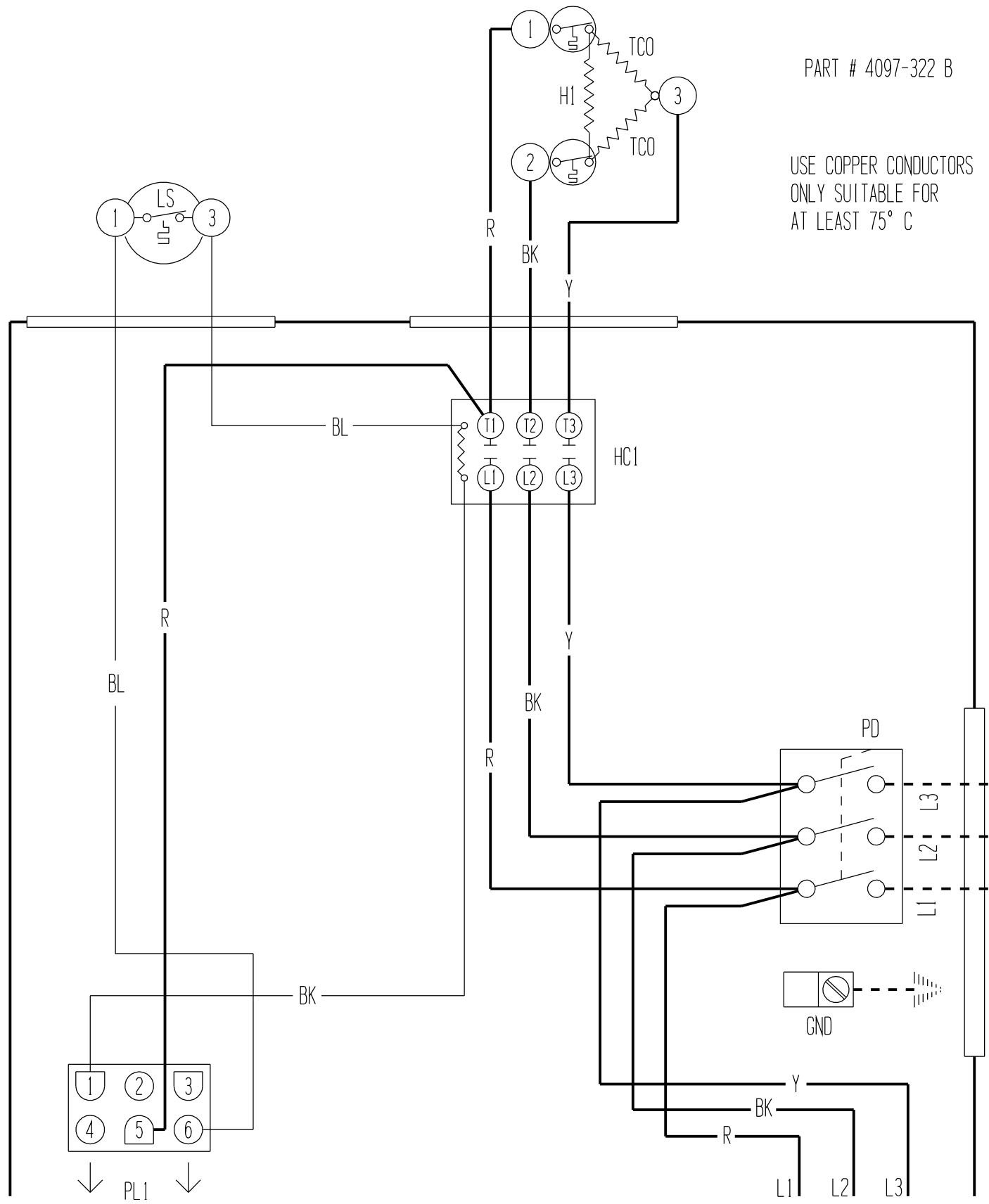
USE COPPER CONDUCTORS  
ONLY SUITABLE FOR  
AT LEAST 75° C





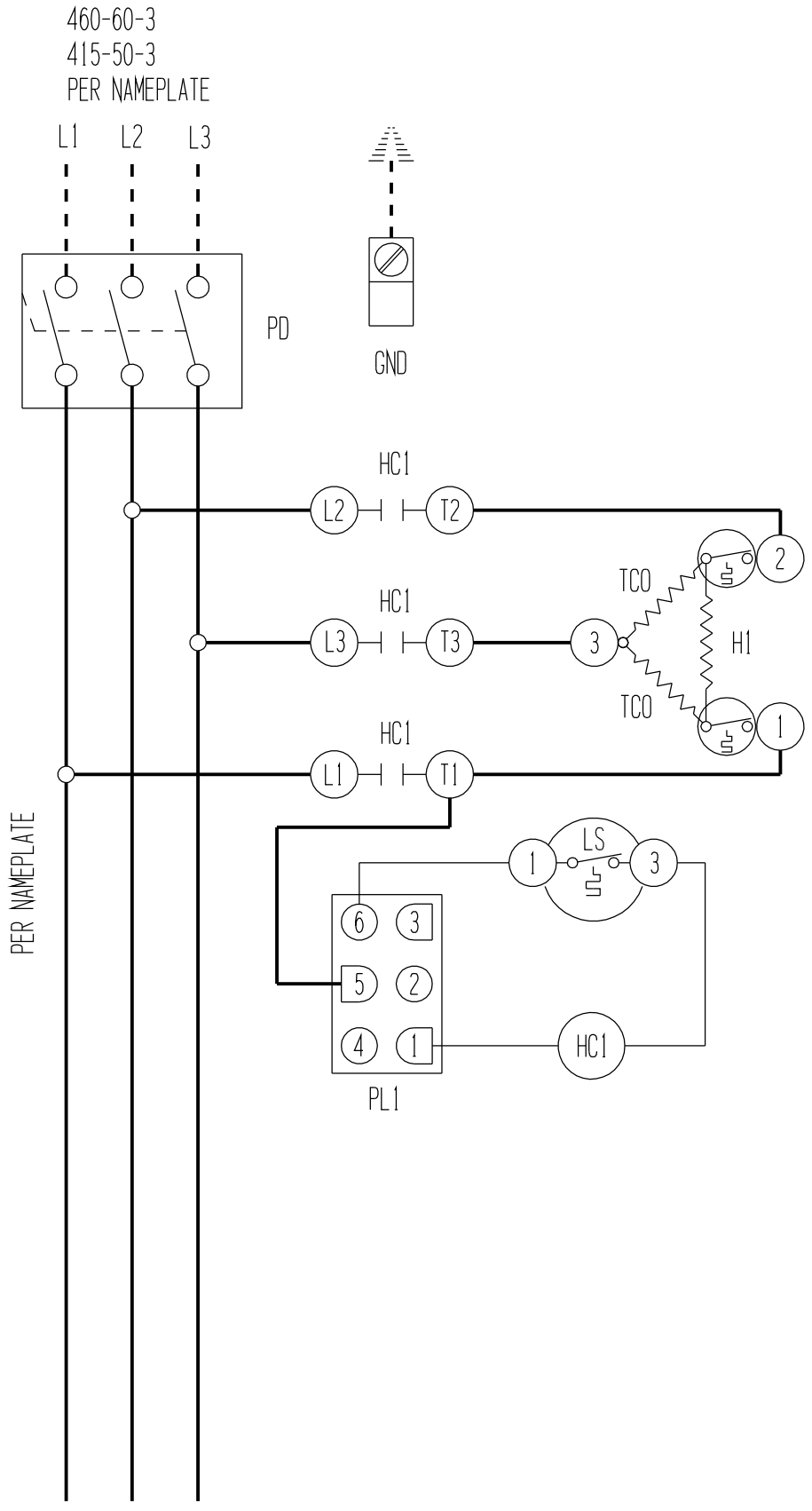






PART # 4097-322 B

USE COPPER CONDUCTORS  
ONLY SUITABLE FOR  
AT LEAST 75° C



460-60-3  
415-50-3  
PER NAMEPLATE

460-60-3  
415-50-3  
PER NAMEPLATE

