

INSTALLATION INSTRUCTIONS

MODELS

EHWH42-A05	EHWA05-A05
EHWH42-A10	EHWA05-A10
EHWH42-A15	EHWA05-A15
EHWH04-A05	EHWA05-A20 <i>16/</i>
EHWH04-A10	EHWA05-B09
EHWH04-A15	EHWA05-B15
EHWH04-A20 <i>16/</i>	EHWA05-B18
EHWH04-B18	EHWA05-C09
EHWH05-B09	EHWA05-C15
EHWH05-B15	
EHWH05-C09	
EHWH05-C15	

ELECTRIC HEAT PACKAGES

**For 3-1/2, 4, 5 Ton WA and WH
Series Wall Mounted Air Conditioners
and Heat Pumps**

MANUAL 2100-223 REV.
SUPERSEDES REV.
FILE VOL. III, TAB 19

TABLE OF CONTENTS

Description 1
Important 3
Shipping Damage 3
Unpacking The Electric Heat Package 3
Wiring Main Power 3
Installation 5

FIGURES AND TABLES

Figure 1 . . Heater Package Conversion to Two Circuits 2
Figure 2 . . Heater Access and Control Panel Access Openings 4
Figure 3 . . Heater Mounting Hole Identifications. 7
Figure 4A . . Heater Orientation and Location Openings. 8
Figure 4B . . Heater Orientation and Location Openings. 8
Figure 4C . . Heater Orientation and Location Openings. 8
Figure 4D . . Heater Orientation and Location Openings. 8
Figure 4E . . Heater Orientation and Location Openings. 9
Figure 4F . . Heater Orientation and Location Openings. 9
Figure 5 . . Heater Control Base Location and Wire Routing 10
Figure 6 . . Serial Plate Remarkings. 11

Table 1 . . . Heater Mounting Position Reference. 1
Table 2 . . . Electrical Data 7

DESCRIPTION

The EBWA and EBWB series electric heater packages are field installable heater packages suitable for use with Bard wall mount hi boy air conditioners and heat pumps. The packages consist of the electric heat strip, the heater control base which includes the heat contactors, and circuit breaker or pull disconnects, installation instructions and wiring diagrams. See Table 1 for nominal electrical data and BTU output. Before installation, check unit serial plate to insure the heater package model that you intend to install is listed as a heater package that is suitable for use with the Bard wall mount hi boy unit. See Figure 6.

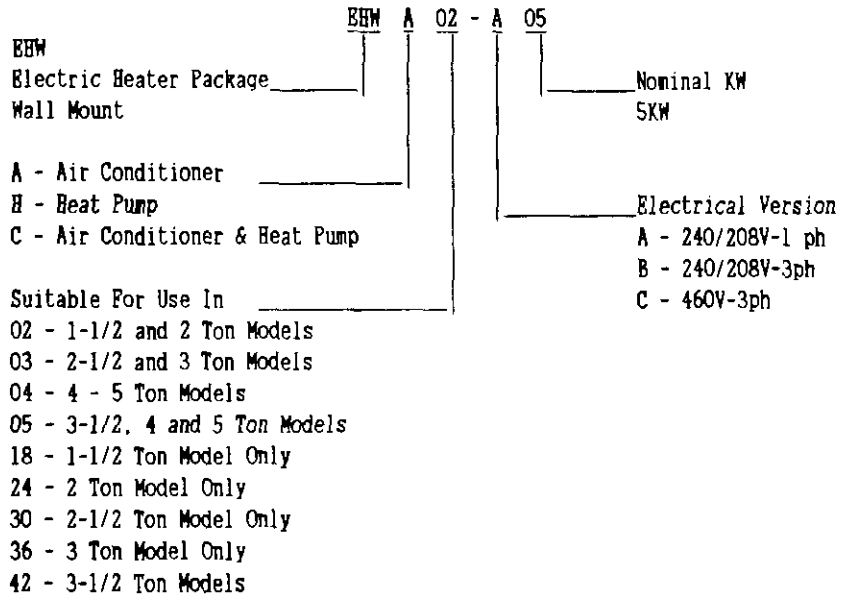
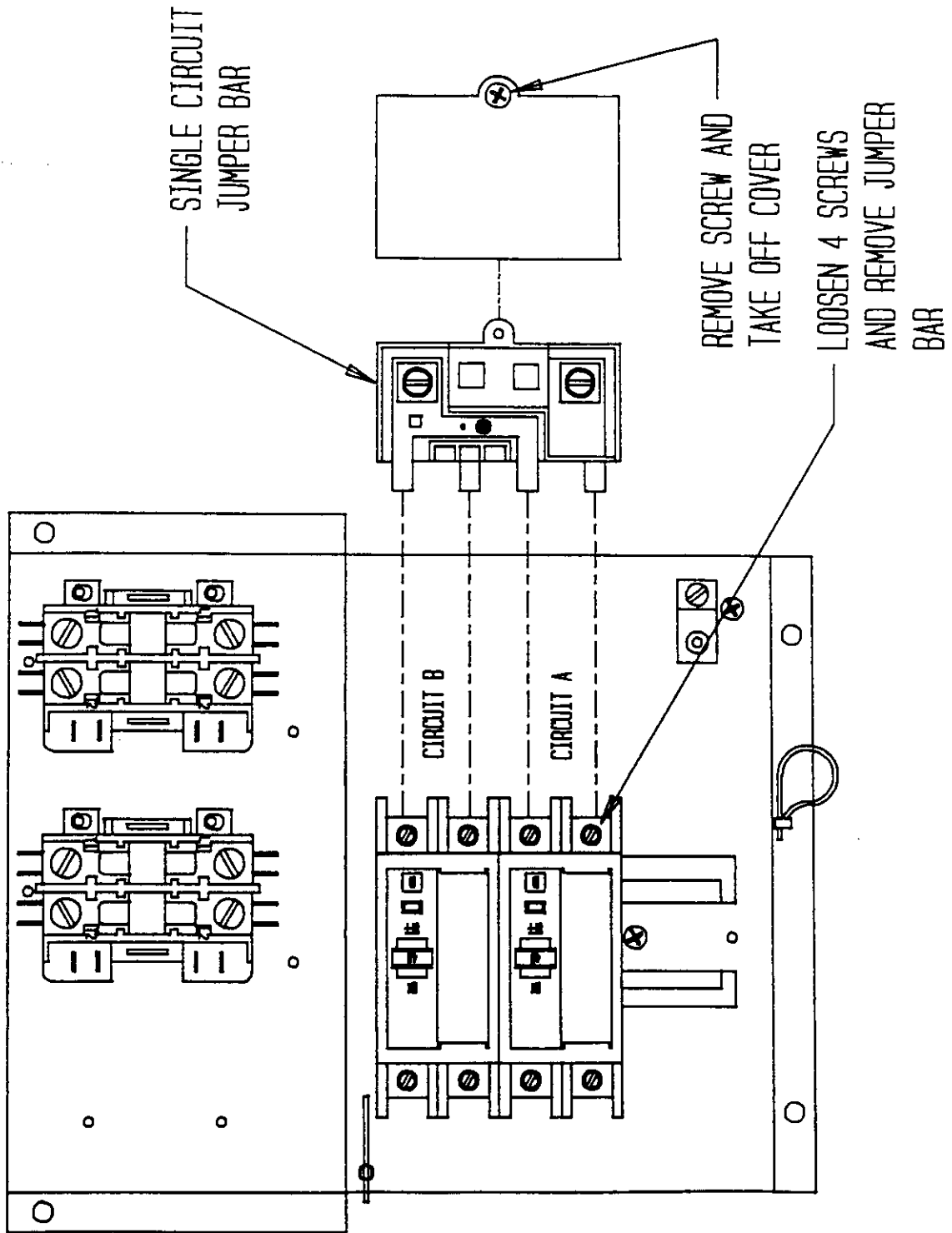


TABLE 1

Heater Package Model	Volts	PH	Nominal KW	Nominal BTU
EBWA05-A05	240/208	1	5/3.75	17065/12800
EBWA05-A10	240/208	1	10/7.5	34130/25600
EBWA05-A15	240/208	1	15/11.25	51200/38400
EBWA05-A20	240/208	1	20/15	68260/51200
EBWA05-B09	240/208	3	9/6.75	30600/23030
EBWA05-B15	240/208	3	15/11.25	51200/38400
EBWA05-B18	240/208	3	18/13.5	61430/46100
EBWA05-C09	480	3	9	30700
EBWA05-C15	480	3	15	47000
EBWB42-A05	240/208	1	5/3.75	17065/12800
EBWB42-A10	240/208	1	10/7.5	34130/25600
EBWB42-A15	240/208	1	15/11.25	51200/38400
EBWB04-A05	240/208	1	5/3.75	17065/12800
EBWB04-A10	240/208	1	10/7.5	34130/25600
EBWB04-A15	240/208	1	15/11.25	51200/38400
EBWB04-A20	240/208	1	20/15	68260/51200
EBWB04-B18	240/208	3	18/13.5	61430/46100
EBWB05-B09	240/208	3	9/6.75	30600/23030
EBWB05-B15	240/208	3	15/11.25	51200/38400
EBWB05-C09	480	3	9	30700
EBWB05-C15	480	3	15	47000

FIGURE 1



IMPORTANT

The equipment covered in this manual is to be installed by trained, experienced service and installation technicians.

SHIPPING DAMAGE

Upon receipt of equipment, the carton should be checked for external signs of shipping damage. If damage is found, the receiving party must contact the last carrier immediately, preferably in writing, requesting inspection by the carrier's agent.

UNPACKING THE ELECTRIC HEAT PACKAGE

Remove the heat package from the shipping carton. The heat package must consist of the following:

1. Basic heater.
2. Electric heat control base and wiring.
3. Installation instructions.
4. Wiring diagram (2), one to be applied to unit.
5. Adhesive label to remark serial plate to indicate new model number. This is attached to the front of these instructions.

WIRING MAIN POWER

1. On all installations, size unit power supply wiring for the minimum circuit ampacity requirement for the unit and heater package combination listed on the unit serial plate.

For existing installations, addition or upgrading of a heater package may require that larger supply wires be run to the unit. Resize all power supply wires for the minimum circuit ampacity rating listed on the unit serial plate that is applicable for your combination of unit and heater package.

WARNING
Install properly sized power supply leads for the unit/heater combination minimum circuit ampacity as listed on the unit serial plate. Hazard of fire. Failure to install properly sized conductors could result in fire.

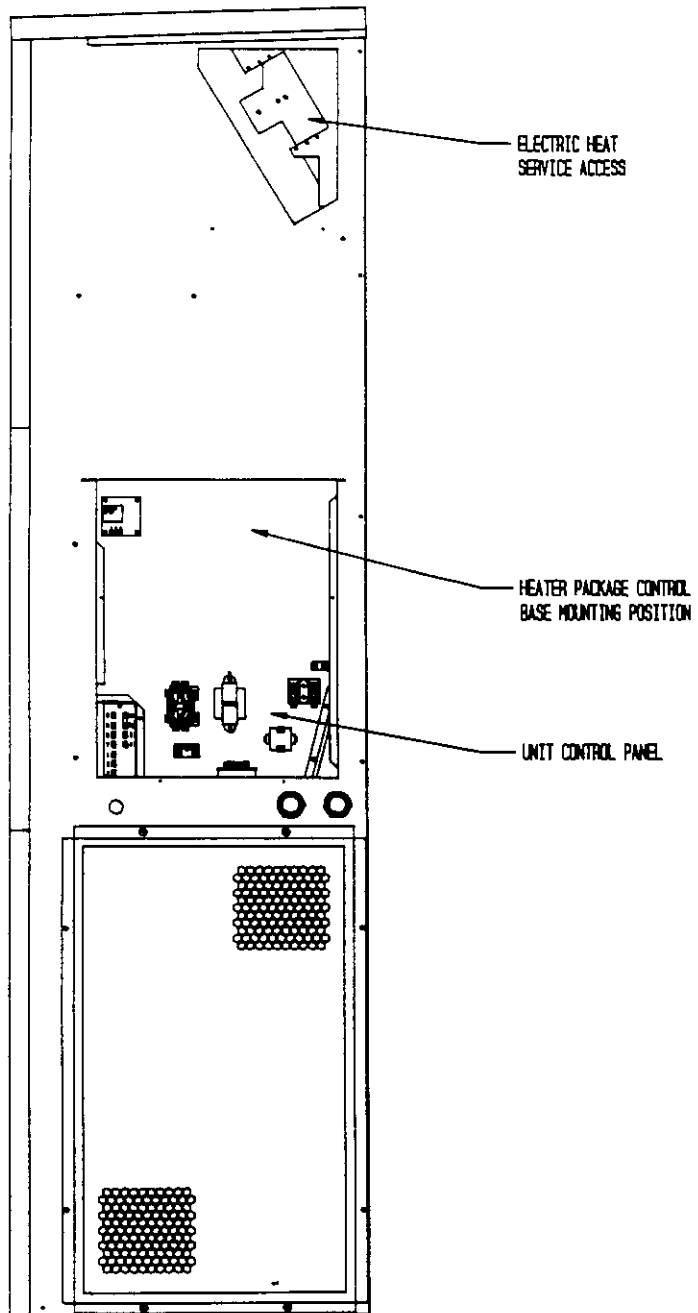
2. All heater packages covered by this manual are factory wired for a single supply circuit. The following heater packages are field convertible to a dual supply circuit if required or desired.

ERWA05-A15	EHWH04-A05
ERWA05-A20	EHWH04-A10
ERWH42-A05	EHWH04-A15
ERWH42-A10	EHWH04-A20
ERWH42-A15	

3. To convert the above heater packages to dual circuit configuration before installation, loosen 4 screws holding jumper bar in place. Remove jumper bar. Circuit A + B are now identified on the heater package. See Figure 1.

Wire should be sized to the minimum circuit ampacity as specified on the serial plates of units that accept these heater packages for circuits A + B.

FIGURE 2



INSTALLATION

1. Disconnect all power to unit before installation.

WARNING
Disconnect all power to unit before installing heater package. Hazard of electrical shock. Failure to disconnect power could result in injury or death.

2. Before installation, check unit serial plate to insure that the heater package model that you intend to install is listed as a heater package suitable for use with the unit.

Under no circumstances shall a heater package be installed in a unit if the model number of the heater package does not appear on the unit serial plate.

WARNING
Install only heater packages listed on unit serial plate. Hazard of fire or electrical shock. Failure to install listed heater package could result in fire, injury or death.

3. Remove electric heater access panel and control panel cover, both inner and outer. (See Figure 2)
4. All heaters are installed with the thermal cutoffs positioned to the top of the unit. Install heat strip(s) through heater access opening. Position heat strip support rod in heater support hole 1, 2, or 3 as indicated in Table 1 and Figure 3. Secure in place with 2 sheet metal screws in mounting holes as indicated in Table 1 and Figure 3.

On heater packages with 2 heat strips, install 9KW or 10KW heater first in position closest to the outlet air frame. See Figure 4E and 4F.
5. Install heater control base into top of control panel as shown in Figure 5. Secure with 4 sheet metal screws provided.
6. Plug male 6 pin connector into mating connector mounted in control panel. See Figure 5.
7. Connect red compressor supply lead to L1 of terminal block. Connect black compressor supply lead to L2 of terminal block. If 3 phase, connect yellow supply lead to L3 of terminal block. See Figure 5 and wiring diagram.
8. Route wires from heater control base up through raceway in top right corner of control panel to the heaters. See Figure 5.

9. Wire heater package per wiring diagram supplied with this heater package. All wires are stamped with wire numbers that correspond with terminal numbers on the wiring diagram and stamped numbers on the heat strip. Limit switch wires are terminated with insulated quick connect terminals. See Figure 4.
10. Attach adhesive wiring diagram directly above unit wiring diagram on inner control panel cover.
11. Recheck all wiring. Break out appropriate circuit breaker tabs on inner control panel cover to allow trip lever to protrude. Replace control panel and heater access panels
12. Resupply power to the unit and check for proper operation.
13. Remark serial plate with self-adhesive label attached to the front of this manual. (See Figure 6)

TABLE 2

	FIGURE 4 Heater Terminal Identification Drawing	FIGURE 3 Rod Support and Screw Mounting Position
1	EHWA05-A05	1
2	EHWA05-A10	1
3	EHWA05-A15	1 + 3
4	EHWA05-A20	1 + 3
5	EHWA05-B09	1
6	EHWA05-B15	1 + 3
7	EHWA05-B18	1 + 3
8	EHWA05-C09	1
9	EHWA05-C15	1 + 3
10	EHWB42-A05	1
11	EHWB42-A10	1
12	EHWB42-A15	1 + 3
13	EHWB04-A05	1
14	EHWB04-A10	1
15	EHWB04-A15	1 + 3
16	EHWB04-A20	1 + 3
17	EHWB05-B09	1
18	EHWB05-B15	1 + 3
19	EHWB04-B18	1 + 3
20	EHWB05-C09	1
21	EHWB05-C15	1 + 3

FIGURE 3

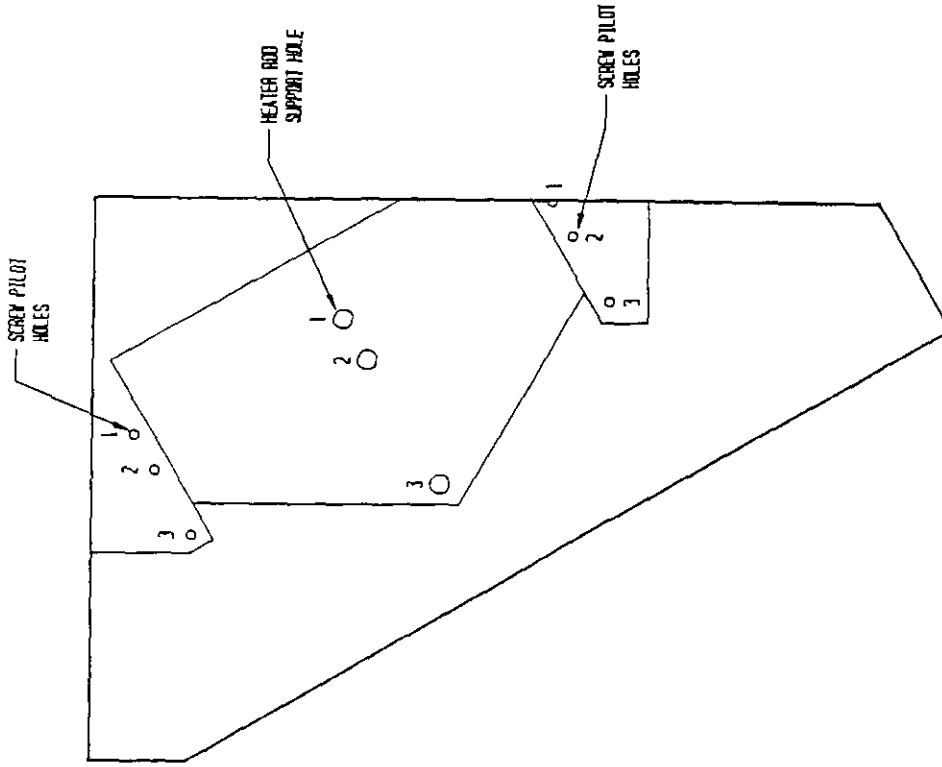
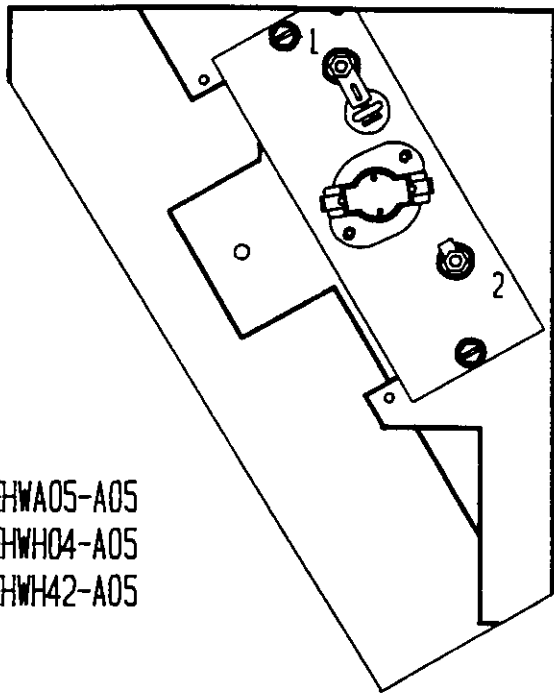
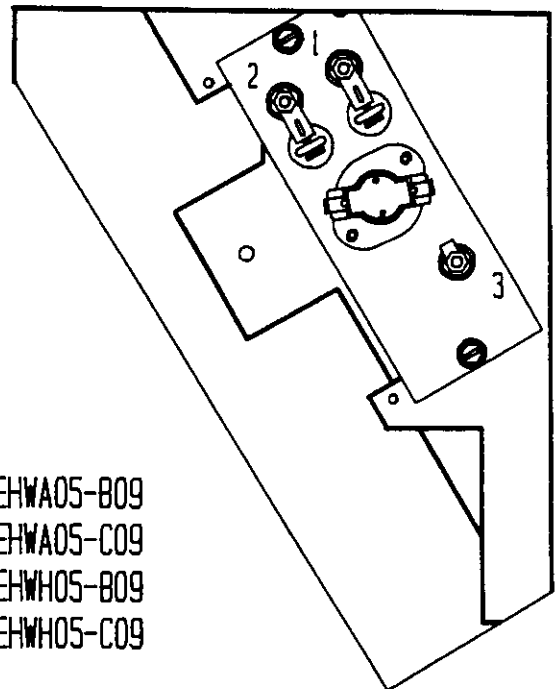


FIGURE 4A



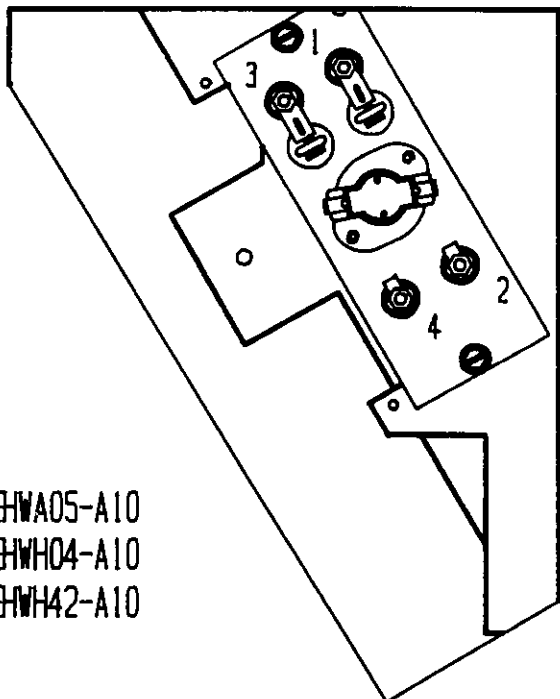
EHWA05-A05
 EHWH04-A05
 EWH42-A05

FIGURE 4B



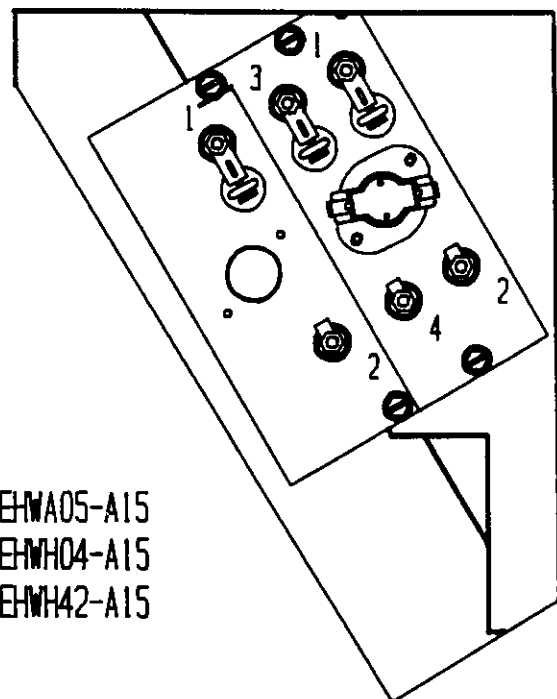
EHWA05-B09
 EHWA05-C09
 EHWH05-B09
 EHWH05-C09

FIGURE 4C



EHWA05-A10
 EHWH04-A10
 EWH42-A10

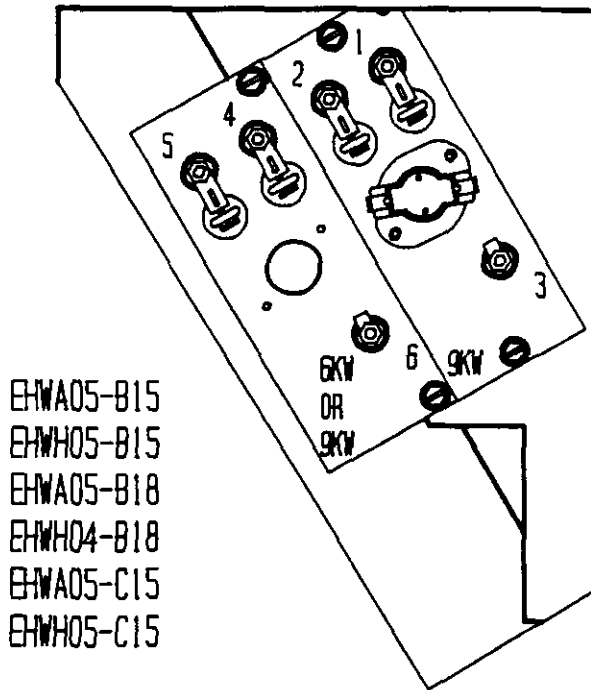
FIGURE 4D



EHWA05-A15
 EHWH04-A15
 EWH42-A15

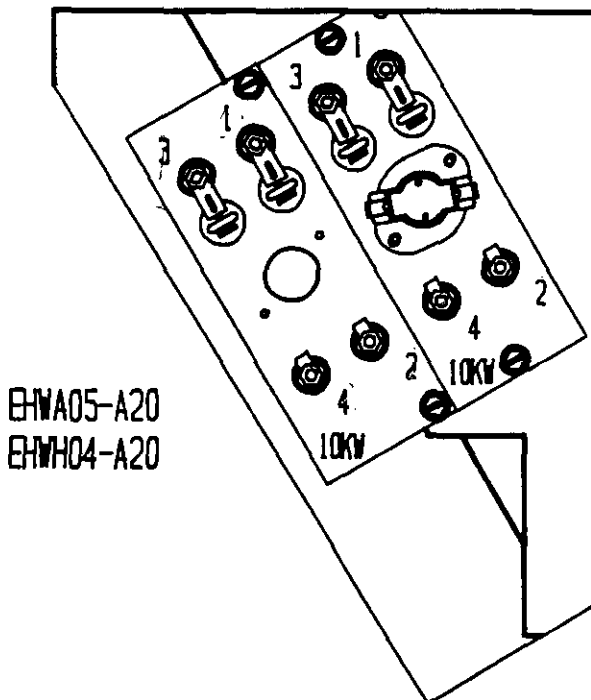
NOTE: THERMAL CUTOFFS TO BE AT
 TOP OF AIR FRAME WHEN INSTALLING.

FIGURE 4E



EHWA05-B15
EHW05-B15
EHWA05-B18
EHW04-B18
EHWA05-C15
EHW05-C15

FIGURE 4F



EHWA05-A20
EHW04-A20

NOTE: THERMAL CUTOFFS TO BE AT TOP OF AIR FRAME WHEN INSTALLING.

FIGURE 5

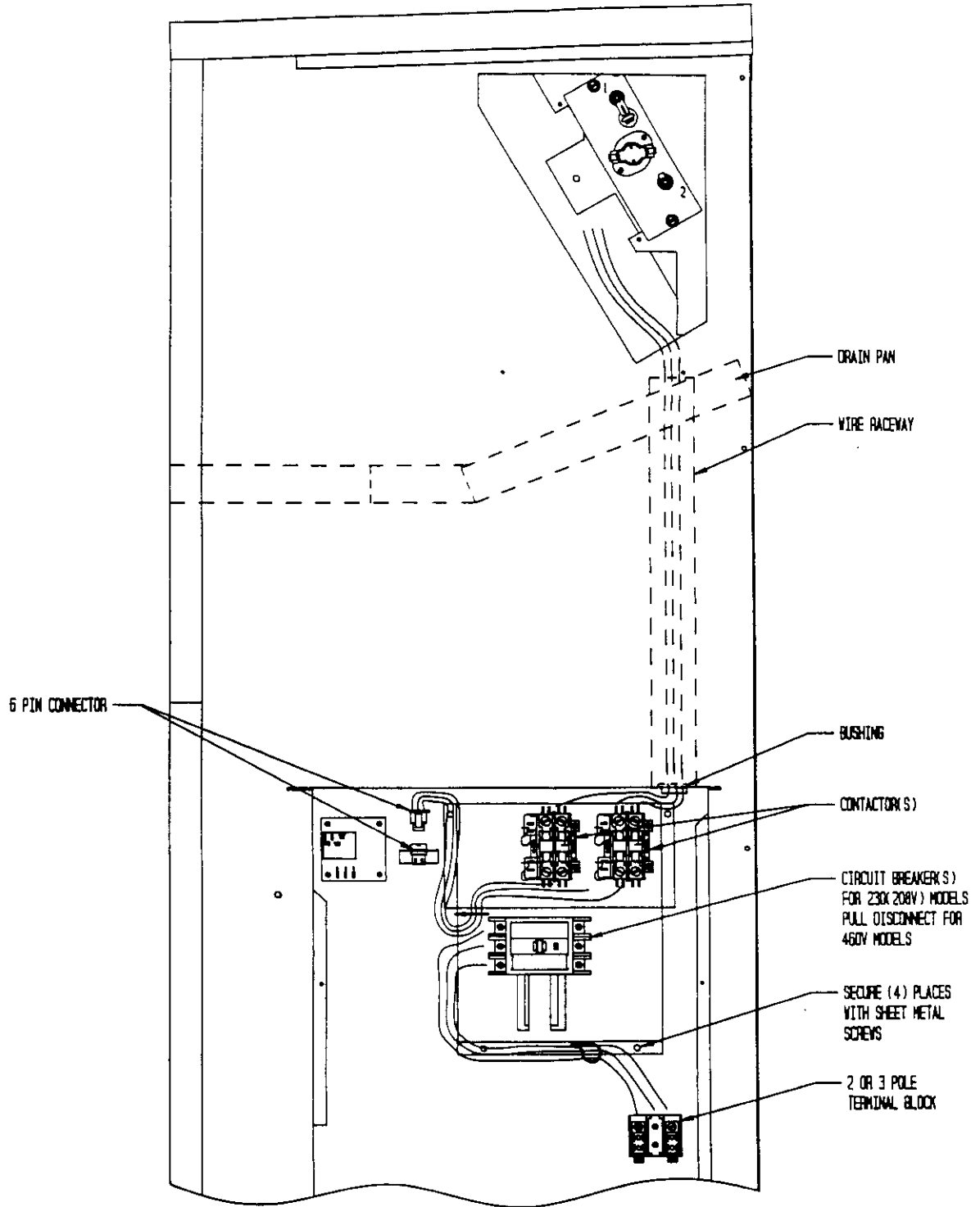


FIGURE 6

INSTALL ONLY HEATER PACKAGES LISTED HERE.

BARD MANUFACTURING COMPANY, 1914 RANDOLPH DRIVE

MODEL	(1) APPROVED HEATER PACKAGE	VAC	HZ
WA361-A0012345	NONE	230/208	60
WA361-A0512345	EHWA03-A05	230/208	60
WA361-A0812345	EHWA03-A08	230/208	60
WA361-A1012345	EHWA03-A10	230/208	60
WA361-A1512345	EHWA03-A15	230/208	60

BRANCH CIRCUIT SELECT CURRENT 17 OPERATION
 SERIAL NUMBER 125H920711193-01 UL FILE NO.

SUITABLE FOR OUTDOOR USE

	ELECTRICAL		
	VAC	HZ	PH
COMPRESSOR	230/208	60	1
OUTDOOR MOTOR	230/208	60	1
INDOOR MOTOR	230/208	60	1
HEATER PACKAGE			KW
EHWA03-A05	240/208	60	5/3.75
EHWA03-A08	240/208	60	8/6
EHWA03-A10	240/208	60	10/7.5
EHWA03-A15	240/208	60	15/11.25

FACTORY CHARGED R22: 68 OZ. DESI
 --- FACTORY
 --- CLEAR



ASSURE THAT SERIAL PLATE IS CLEAN AND DRY. REMOVE APPROPRIATE LABEL STRIP FOR KV REQUIRED AND REHANK SERIAL PLATE AS SHOWN FOR THE HEATER PACKAGE THAT IS INSTALLED

