

INSTALLATION INSTRUCTIONS

WALL MOUNTED PACKAGE AIR CONDITIONERS

MODELS

WA181

WA241

**MANUAL 2100-200 REV. A
SUPERSEDES REV.
FILE VOL. III, TAB 16**

COPYRIGHT JUNE, 1992
BARD MANUFACTURING COMPANY
BRYAN, OHIO

TABLE OF CONTENTS

Important	3
Shipping Damage	3
General	3
Installation	3
Duct Work	3
Filter	3
Fresh Air Intake	4
Wall Mounting	4
Mounting Instructions	4
Low Voltage Wiring	7
Wiring--Main Power	7
Fan Blade Setting Dimensions	7
Refrigerant Charge	8
Pressure Service Ports	9
Important Installer Note	9
Crankcase Heaters	9
Pressure Curve.	10
Optional Accessories	11

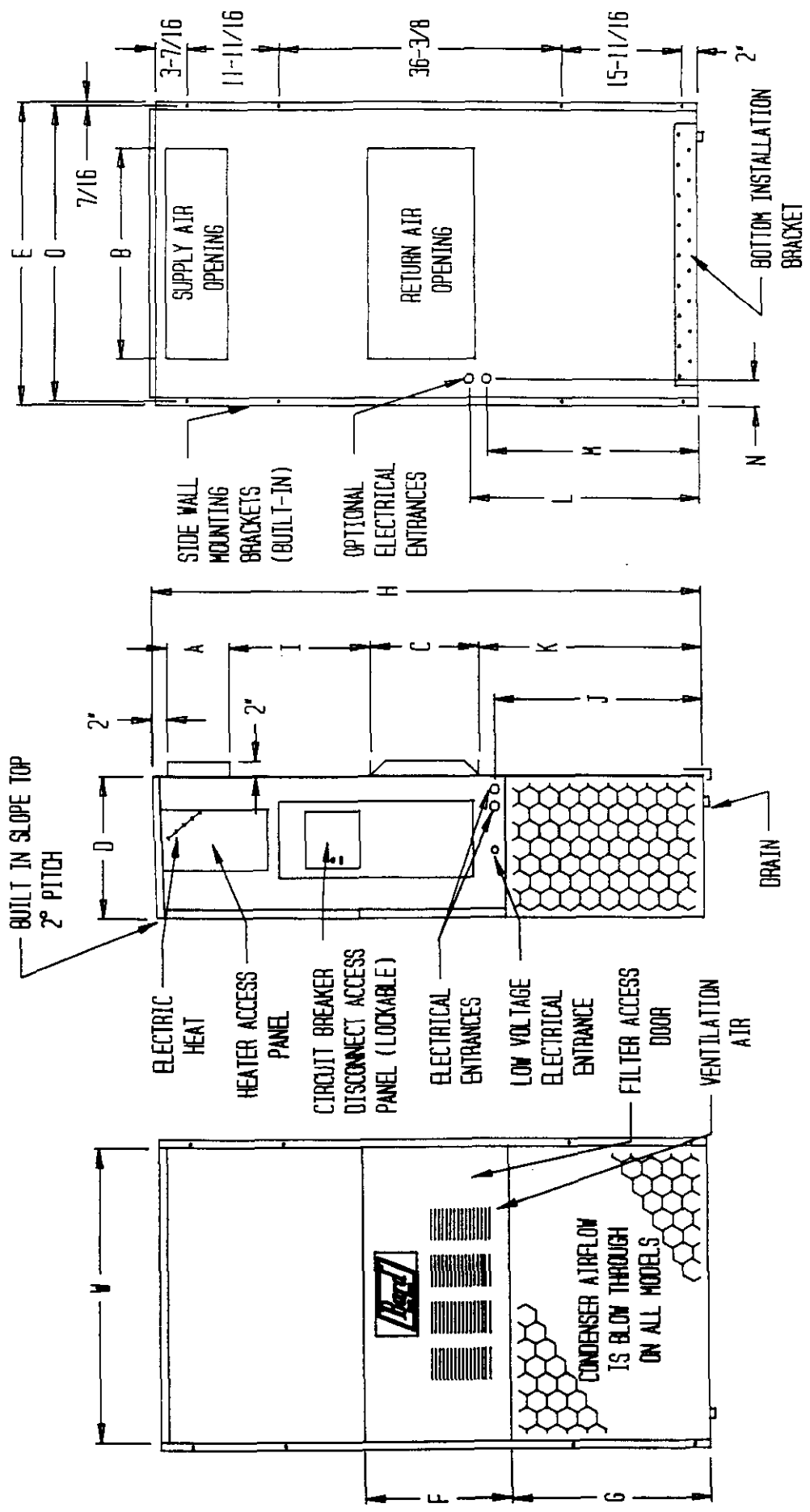
FIGURES AND TABLES

Figure 1	1
Figure 2	5
Figure 3	6
Figure 4	7
Figure 5	9

Table 1	2
Table 2	6
Table 3	6
Table 4	8
Table 5	8
Table 6	8
Table 7	9
Table 8	10
Table 9	11

FIGURE 1
 SIZE SPECS FOR MIS-278

UNIT	WIDTH (W)	DEPTH (D)	HEIGHT (H)	SUPPLY		RETURN		E	F	G	I	J	K	L	M	N	O
				A	B	C	B										
18 & 24	32-7/8	16-7/8	70	7-7/8	20	11-7/8	20	34-7/8	18-1/4	25-3/4	20-3/4	26-3/4	28-3/4	29-1/4	27	2-9/16	34



FRONT VIEW

SIDE VIEW

BACK VIEW

ELECTRICAL SPECIFICATIONS TABLE 1

SINGLE CIRCUIT						
Model	Rated Volts and Phase	No. Field Power Ckts.	Minimum Circuit Ampacity	(1) Maximum External Fuse Or Circuit Breaker	(2) Field Power Wire Size	(2) Ground Wire Size
WA181-A00	230/208-1	1	14	20	14	12
A05		1	28	30	10	10
A08		1	44	45	8	10
A10		1	54	60	6	10
WA241-A00	230/208-1	1	15	20	14	12
A05		1	28	30	10	10
A08		1	44	45	8	10
A10		1	54	60	6	10
WA241-B00	230/208-3	1	11	15	14	12
B06		1	20	20	12	12
<p>(1) Maximum size of the time delay fuse or HACR type circuit breaker for protection of field wiring conductors.</p> <p>(2) Based on 75°C copper wire.</p>						

IMPORTANT

The equipment covered in this manual is to be installed by trained, experienced service and installation technicians. Any heat pump is more critical of proper operating, charge and an adequate duct system than a straight air conditioning unit. All duct work supply and return, must be properly sized for the design air flow requirement of the equipment. ACCA is an excellent guide to proper sizing. All duct work or portions thereof not in the conditioned space should be properly insulated in order to both conserve energy and prevent condensation or moisture damage.

SHIPPING DAMAGE

Upon receipt of equipment, the carton should be checked for external signs of shipping damage. If damage is found, the receiving party must contact the last carrier immediately, preferably in writing, requesting inspection by the carrier's agent.

GENERAL

The refrigerant system is completely assembled and charged. All internal wiring is complete.

The unit is designed for use with or without duct work. Flanges are provided for attaching the supply and return ducts.

These instructions explain the recommended method to install the air cooled self-contained unit and the electrical wiring connections to the unit.

These instructions and any instructions packaged with any separate equipment required to make up the entire air conditioning system should be carefully read before beginning the installation. Note particularly "Starting Procedure" and any tags and/or labels attached to the equipment.

While these instructions are intended as a general recommended guide, they do not supersede any national and/or local codes in any way. Authorities having jurisdiction should be consulted before the installation is made.

INSTALLATION

Size of unit for a proposed installation should be based on heat loss calculation made according to methods of Air Conditioning Contractors of America (ACCA). The air duct should be installed in accordance with the Standards of the National Fire Protection Association for the Installation of Air Conditioning and Ventilating systems of Other Than Residence Type, NFPA No. 90A, and Residence Type Warm Air Heating and Air Conditioning Systems, NFPA No. 90B. Where local regulations are at a variance with instructions, installer should adhere to local codes.

DUCT WORK

Design the duct work according to methods given by the Air Conditioning Contractors of America. When duct runs through unheated spaces, it should be insulated with a minimum of one inch of insulation. Use insulation with a vapor barrier on the outside of the insulation. Flexible joints should be used to connect the duct work to the equipment in order to keep the noise transmission to a minimum.

FILTER

A one inch throwaway filter is supplied with each unit. The filter slides into position making it easy to service. This filter can be serviced from the outside by removing the service door. A 1-inch washable filter and 2-inch pleated filter are also available as optional accessories. The internal filter brackets are adjustable to accommodate the 2-inch filter.

FRESH AIR INTAKE

All units are built with a fresh air inlet hole punched in the service panel.

The fresh air damper assembly is standard equipment with the unit because of the variety of state or local codes requiring fresh air capability. It is shipped already attached to each unit.

All capacity, efficiency and cost of operation information as required for Department of Energy "Energyguide" Fact Sheets is based upon the fresh air blank-off plate in place and is recommended for maximum energy efficiency.

The blank-off plate is available upon request from the factory and is installed in place of the fresh air damper shipped with each unit.

WALL MOUNTING

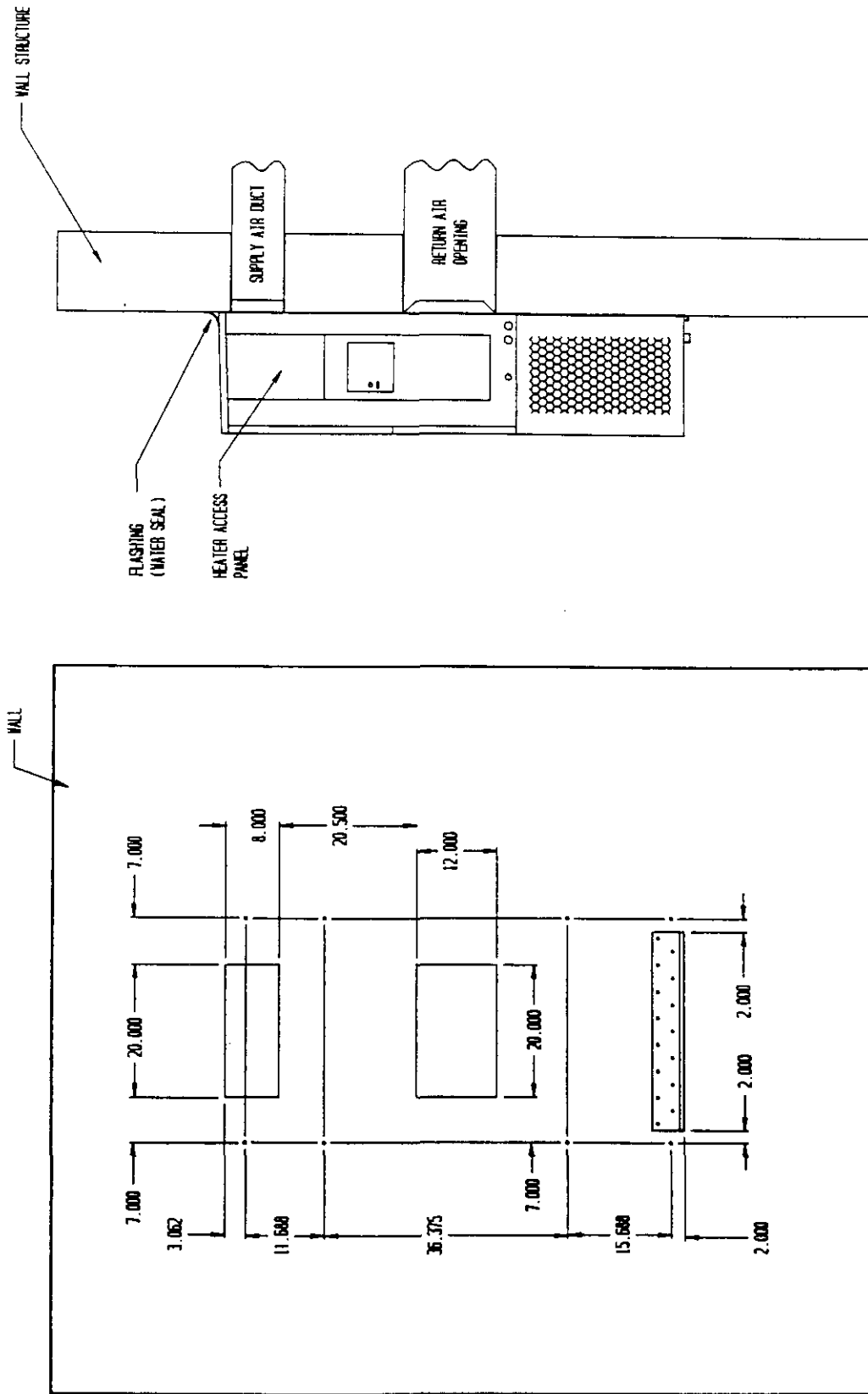
1. Two holes, for the supply and return air openings must be cut through the wall as shown in Figure 2.
2. On wood-frame walls, the wall construction must be strong and rigid enough to carry the weight of the unit without transmitting any unit vibration.
3. Concrete block walls must be thoroughly inspected to insure that they are capable of carrying the weight of the installing unit.
4. Ducts through the walls must be insulated and all joints taped or sealed to prevent air or moisture entering the wall cavity.
5. Some installations may not require any return air duct. It is recommended that on this type of installation that a filter grille be located in the wall. Filters must be of sufficient size to allow a maximum velocity of 400 FPM.

NOTE: If no return air duct is used, applicable installation codes may limit this cabinet to installation only in a single story structure.

MOUNTING INSTRUCTIONS

1. These units are secured by wall mounting brackets which secure the unit to the outside wall surface at both sides. A bottom mounting brackets is provided for ease of installation, but are not required.
2. Locate and mark lag bolt locations and bottom mounting bracket location, if desired.
3. Mount bottom mounting bracket, if used.
4. Position unit in opening and secure with 5/16 lag bolts; use flat washers on the lag bolts.
5. For additional mounting rigidity, the return air and supply air (depending upon wall construction) frames or collars can be drilled and screwed or welded to the structural wall itself. Be sure to observe required clearance if combustible wall.
6. Maintain 30 inches minimum clearance on right side of unit to allow access to heat strip.

FIGURE 2



WIRING

LOW VOLTAGE WIRING

A 24 volt terminal block is located in the lower left hand corner of the control panel. All low voltage thermostat connections should be made at these terminals. Wire size for the class 2 thermostat wire can be determined from the chart below.

TABLE 2

<u>Transformer VA</u>	<u>FLA @ 240</u>	<u>Wire Size</u>	<u>Maximum Distance In Feet</u>
40	1.6	20 Gauge	65
		18 "	90
		16 "	145
		14 "	230

See Figure 4 for applicable thermostat and subbase combinations and low voltage wiring information.

WIRING--MAIN POWER

Refer to the unit rating plate for wire sizing information and maximum fuse or "HACR Type" circuit breaker size. Each outdoor unit is marked with a "Minimum Circuit Ampacity". This means that the field wiring used must be sized to carry that amount of current. Depending on the installed KW of electric heat, there may be two field power circuits required. If this is the case, the unit serial plate will so indicate. All models are suitable only for connection with copper wire. Each unit and/or wiring diagram will be marked "Use Copper Conductors Only". These instructions MUST BE adhered to. Refer to the National Electrical Code for complete current carrying capacity data on the various insulation grades of wiring material.

The electrical data lists fuse and wire sizes (75°C copper) for all models, including the most commonly used heater sizes. Also shown are the number of field power circuits required for the various models with heaters.

The unit rating plate lists a "Maximum Time Delay Relay Fuse" or "HACR Type" circuit breaker that is to be used with the equipment. The correct size must be used for proper circuit protection and also to assure that there will be no nuisance tripping due to the momentary high starting current of the compressor motor.

FAN BLADE SETTING DIMENSIONS

Shown in the drawing below are the correct fan blade setting dimensions for proper air delivery across the outdoor coil.

Any service work requiring removal or adjustment in the fan and/or motor area will require that the dimensions below be checked and the blade adjusted in or out on the motor shaft accordingly.

FIGURE 3

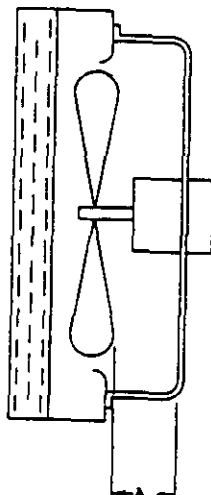
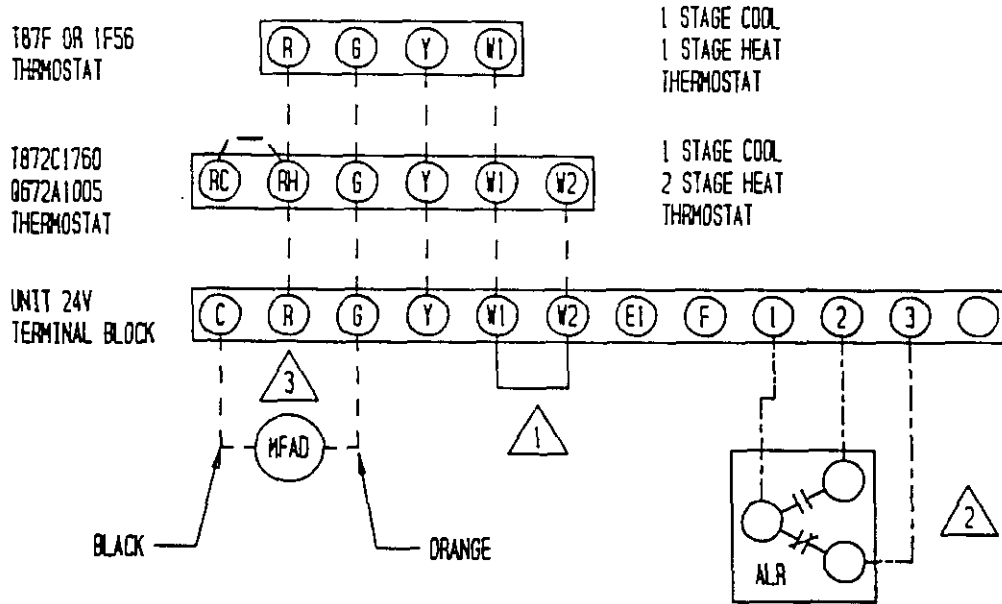


TABLE 3

<u>Model</u>	<u>Dimension A</u>
WA181	1.00
WA241	

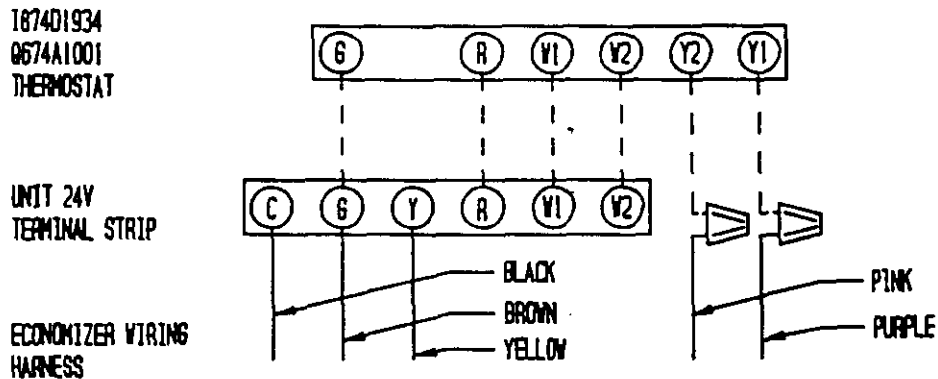
FIGURE 4

LOW VOLTAGE WIRING



- △ 1 REMOVE JUMPER FOR 2 STAGE ELECTRIC HEAT ON UNITS WITH 15 OR MORE KW
- △ 2 OPTIONAL ALARM RELAY PROVIDED ON UNITS WITH CMA-16 INSTALLED. CONTACT RATING 24VAC • 125VA
- △ 3 OPTIONAL MOTORIZED FRESH AIR DAMPER SUGGESTED HOOK UP

OPTIONAL ECONOMIZER LOW VOLTAGE WIRING



REFRIGERANT CHARGE

The correct system R-22 charge is shown on the unit rating plate. Optimum unit performance will occur with a refrigerant charge resulting in a suction line temperature (6" from compressor) as shown in the following table:

TABLE 4

Model	Rated Airflow	95° F OD Temperature	82° F OD Temperature
WA181	650	51 - 53	63 - 65
WA241	800	61 - 63	63 - 65

The above suction line temperatures are based upon 80° F dry/bulb/67° F wet bulb (50 percent R.H.) temperature and rated airflow across the evaporator during cooling cycle.

TABLE 5 INDOOR BLOWER PERFORMANCE--CFM @ 230V

E.S.P. In H2O	WA181, WA241	
	230V	
	Dry	Wet
.0	1060	1015
.1	1000	940
.2	935	865
.3	855	765
.4	765	675
.5	640	555

MAXIMUM ESP OF OPERATION

TABLE 6 ELECTRIC HEAT ONLY

Model	Low Speed	High Speed
A00	.50	.50
WA181 A05	.50	.50
WA241 A08	.50	.50
B00	.50	.50
WA241 B06	.50	.50

Values shown are for units equipped with STD 1" throw-away filter or 1" washable filter. Derate ESP by .15 for 2" pleated filters.

PRESSURE SERVICE PORTS

High and low pressure service ports are installed on all units so that the system operating pressures can be observed. Pressure curves can be found later in the manual covering all models on both cooling and heating cycles. It is imperative to match the correct pressure curve to the unit by model number.

TABLE 7

Model	Rated CFM*	Rated ESP*	Recommended Airflow Range
WA181	650	.40	575 - 725
WA241	800	.20	700 - 950

*Rated CFM and ESP on high speed tap.

IMPORTANT INSTALLER NOTE

For improved start-up performance, wash the indoor coil with a dishwasher detergent.

CRANKCASE HEATERS

All units are provided with an insertion well-type heater located in the lower section of the compressor housing. This is a self-regulating type heater that draws only enough power to maintain the compressor at a safe temperature.

Some form of crankcase heat is essential to prevent liquid refrigerant from migrating to the compressor, causing oil pump out on compressor start-up and possible valve failure due to compressing a liquid.

The decal in Figure 5 is affixed to all outdoor units detailing start-up procedure. This is very important. Please read carefully.

FIGURE 5

IMPORTANT

THESE PROCEDURES MUST BE FOLLOWED AT INITIAL START-UP AND AT ANY TIME POWER HAS BEEN REMOVED FOR 12 HOURS OR LONGER.

TO PREVENT COMPRESSOR DAMAGE WHICH MAY RESULT FROM THE PRESENCE OF LIQUID REFRIGERANT IN THE COMPRESSOR CRANKCASE.

1. MAKE CERTAIN THE ROOM THERMOSTAT IS IN THE "OFF" POSITION. (THE COMPRESSOR IS NOT TO OPERATE).
2. APPLY POWER BY CLOSING THE SYSTEM DISCONNECT SWITCH THIS ENERGIZES THE COMPRESSOR HEATER WHICH EVAPORATES THE LIQUID REFRIGERANT IN THE CRANKCASE.
3. ALLOW 4 HOURS OR 60 MINUTES PER POUND OF REFRIGERANT IN THE SYSTEM AS NOTED ON THE UNIT RATING PLATE, WHICHEVER IS GREATER.
4. AFTER PROPERLY ELAPSED TIME THE THERMOSTAT MAY BE SET TO OPERATE THE COMPRESSOR.
5. EXCEPT AS REQUIRED FOR SAFETY WHILE SERVICING — DO NOT OPEN SYSTEM DISCONNECT SWITCH.

7961-061

TABLE 8

COOLING

Air Temperature Entering Outdoor Coil °F

Model	Return Air Temperature	Pressure	°	°	°	°	°	°	°	°	°
			75	80	85	90	95	100	105	110	115
WA181	75 deg. DB	Low Side	71	73	75	77	79	81	82	84	85
	62 deg. WB	High Side	194	208	223	238	253	268	284	299	315
	80 deg. DB	Low Side	76	78	80	83	84	86	88	90	91
	67 deg. WB	High Side	199	214	229	244	259	275	291	307	323
WA241	85 deg. DB	Low Side	81	84	86	89	91	93	95	96	98
	72 deg. WB	High Side	206	221	237	253	268	285	301	318	334
	75 deg. DB	Low Side	72	75	78	80	82	84	86	87	89
	62 deg. WB	High Side	198	214	230	246	261	276	291	305	319
WA241	80 deg. DB	Low Side	74	77	80	82	84	86	88	90	91
	67 deg. WB	High Side	211	229	246	263	280	295	311	326	341
	85 deg. DB	Low Side	77	80	83	85	87	89	91	93	94
	72 deg. WB	High Side	227	246	265	283	300	318	334	351	367

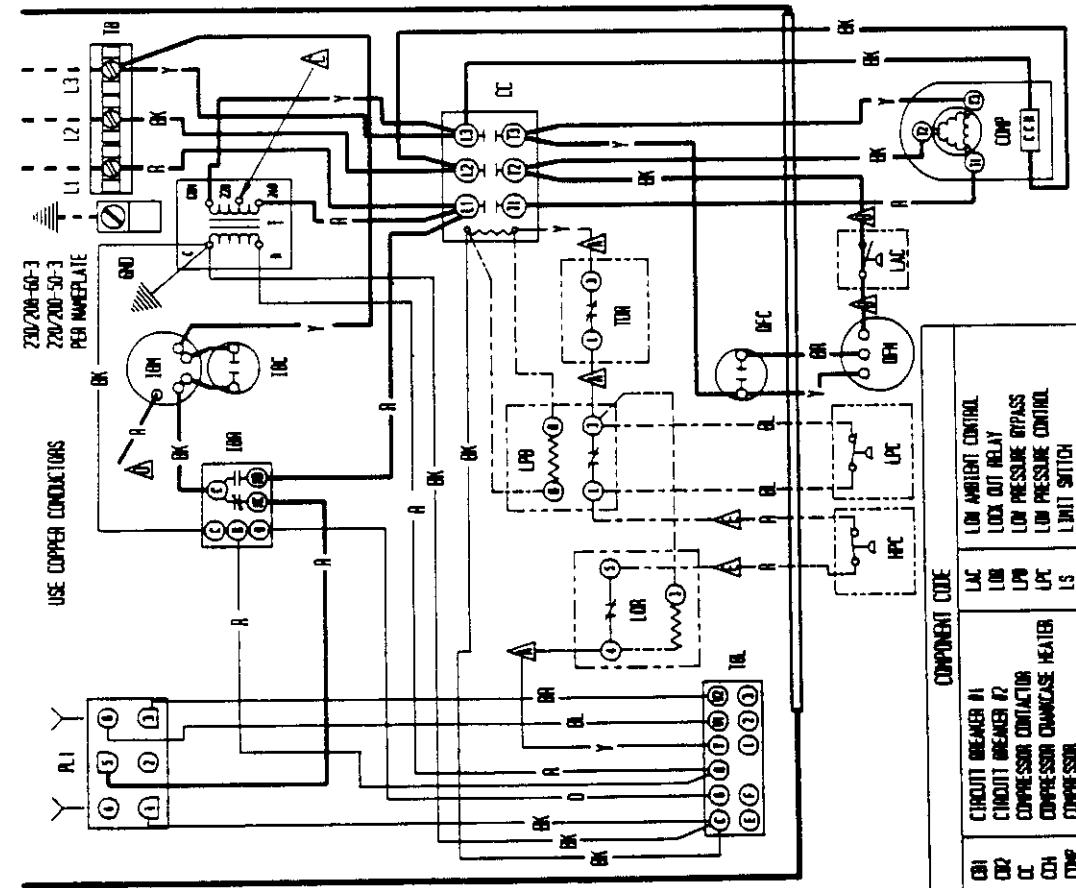
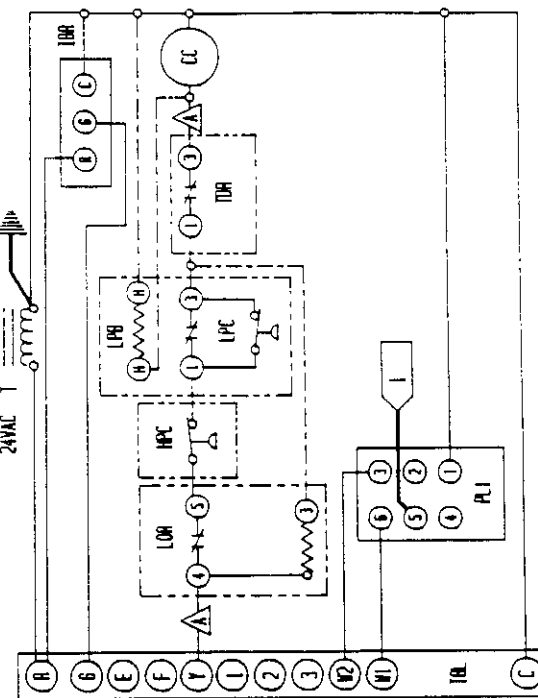
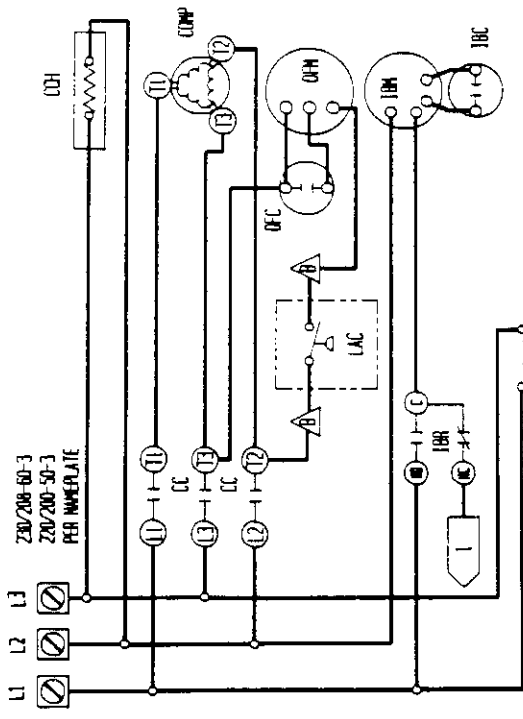
Low side pressure + 2 PSIG
 High side pressure + 5 PSIG

Tables are based upon rated CFM (airflow) across the evaporator coil and should be found under section titled "Refrigerant Charge" elsewhere in manual. If there is any doubt as to correct operating charge being in the system, the charge should be removed, system evacuated, and recharged to serial plate instructions.

TABLE 9

OPTIONAL ACCESSORIES

Model	Description	W	W	W
		A	A	A
		1	2	2
		8	4	4
		1	1	1
		-	-	-
		A	A	B
EHWA02-A05	Heater Packages	X	X	
EHWA02-A08	Heater Packages	X	X	
EHWA02-A10	Heater Packages	X	X	
EHWA24-B06	Heater Packages			X
BOP-2	Blank Off Plate	X	X	X
BFAD-2	Barometric Fresh Air Damper	X	X	X
MFAD-2	Motorized Fresh Air Damper	X	X	X
CRV-2	Classroom Ventilator With Exhaust	X	X	X
BEFM-2	Economizer With Exhaust	X	X	X
CMA-1	High Pressure Control (HPC)	X	X	X
CMA-2	Low Pressure Control (LPC)	X	X	X
CMA-4	Low and High Pressure Control	X	X	X
CMA-5	Time Delay Relay (TDR)	X	X	X
CMA-6	Low Ambient Control (LAC)	X	X	X
CMA-8	TDR + HPC	X	X	X
CMA-10	LPC + HPC + TDR	X	X	X
CMA-11	LPC + HPC + LAC	X	X	X
CMA-12	LAC + TDR	X	X	X
CMA-13	LPC + HPC + TDR + LAC	X	X	X
CMA-14	LPC + HPC + LAC + Start Kit	X	X	
CMA-15	LPC + HPC + TDR + Start Kit	X	X	
CMA-16	LPC + HPC + TDR + LAC + Start Kit	X	X	
CMA-17	LAC + TDR + Start Kit	X	X	
CMA-22	Start Kit	X	X	



COMPONENT CODE	COMPONENT CODE	COMPONENT CODE	
CB1	CIRCUIT BREAKER #1	LAC	LOW AMBIENT CONTROL
CB2	CIRCUIT BREAKER #2	LOR	LOCK OUT RELAY
CC	COMPRESSOR CONTACTOR	LUR	LOW PRESSURE BYPASS
CC1	COMPRESSOR CONTACTOR #1	LPC	LOW PRESSURE CONTROL
CC2	COMPRESSOR CONTACTOR #2	LS	LIMIT SWITCH
CC3	COMPRESSOR CONTACTOR #3	OFC	OUTDOOR FAN CAPACITOR
CC4	COMPRESSOR CONTACTOR #4	OPH	OUTDOOR FAN MOTOR
CC5	COMPRESSOR CONTACTOR #5	PL1	PLUG #1
CC6	COMPRESSOR CONTACTOR #6	SK	START KIT
CC7	COMPRESSOR CONTACTOR #7	T	TRANSFORMER
CC8	COMPRESSOR CONTACTOR #8	TB	TERMINAL BLOCK
CC9	COMPRESSOR CONTACTOR #9	TCL	LOW VOLTAGE TERMINAL BLOCK
CC10	COMPRESSOR CONTACTOR #10	TCC	THERMAL CUTOFF
CC11	COMPRESSOR CONTACTOR #11	TDR	TIME DELAY RELAY
CC12	COMPRESSOR CONTACTOR #12		
CC13	COMPRESSOR CONTACTOR #13		
CC14	COMPRESSOR CONTACTOR #14		
CC15	COMPRESSOR CONTACTOR #15		
CC16	COMPRESSOR CONTACTOR #16		
CC17	COMPRESSOR CONTACTOR #17		
CC18	COMPRESSOR CONTACTOR #18		
CC19	COMPRESSOR CONTACTOR #19		
CC20	COMPRESSOR CONTACTOR #20		

▲ ▲ ▲ LABELED WIRES CONNECT IF NO OPTIONS USED.

▲ ▲ ▲ MOVE RED WIRE TO 200V TAP FOR 200V OPERATION

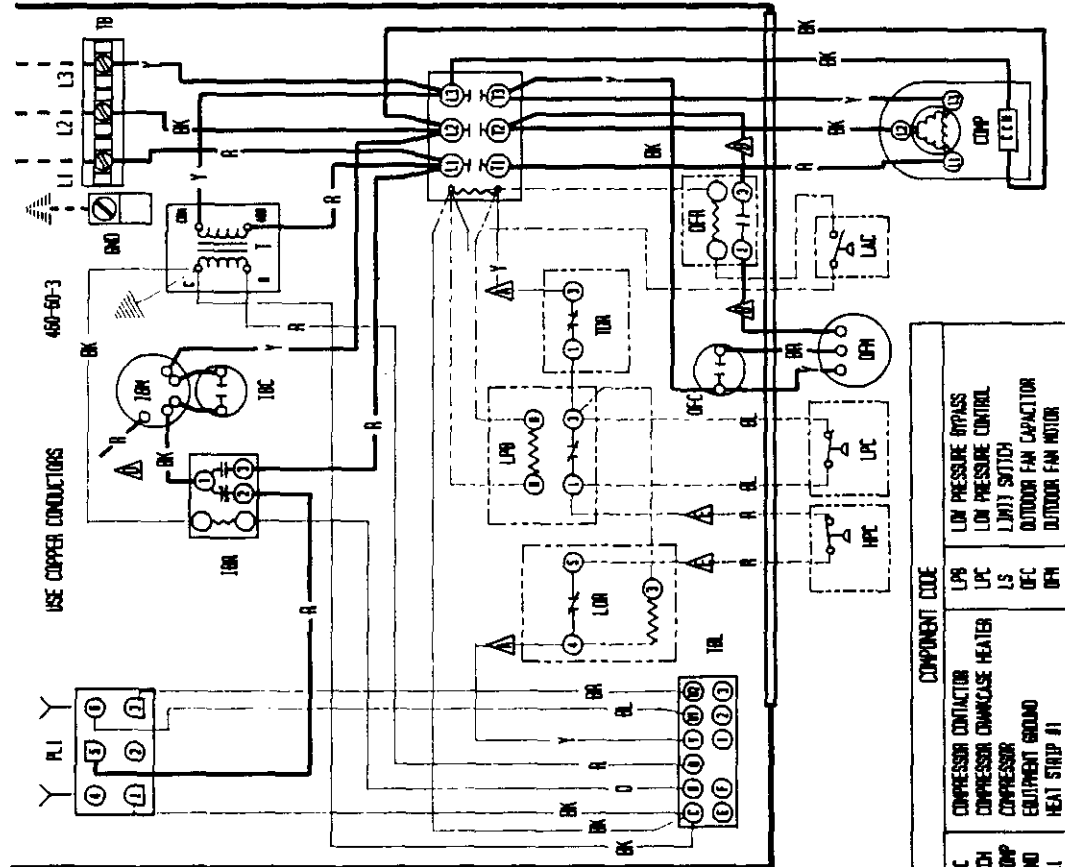
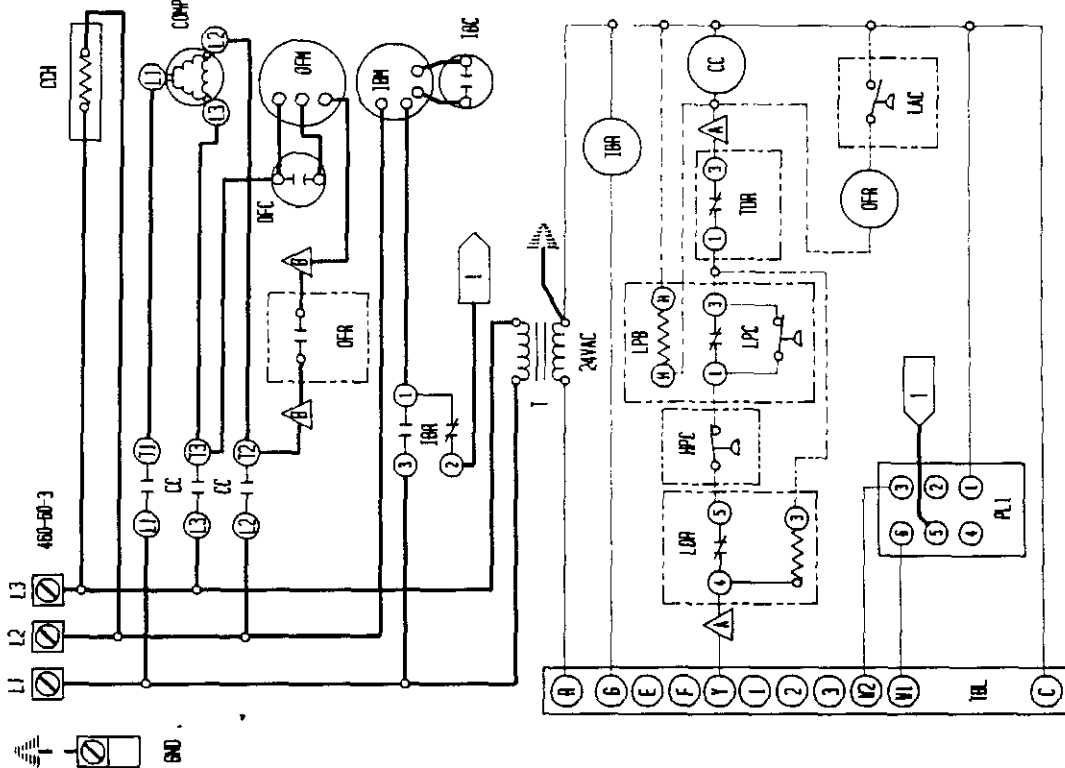
▲ RED (LOW) BLACK (HIGH)

FACTORY STD.	FIELD	OPTIONAL
HIGH VOLTAGE	---	---
LOW VOLTAGE	---	---
ACCESSORY	---	---

BLACK	BROWN	RED	ORANGE	YELLOW	GREEN	BLUE	WHITE	VIOLET	PURPLE	GRAY	SLATE
BK	BR	R	D	Y	G	B	W	V	P	GR	S
1	2	3	4	5	6	7	8	9	10	11	12

TAN	PINK	LAVENDER
13	14	15

BARB WFG. CO.
DNG 4055-210 B
DRL CDR
DJK /UPR



COMPONENT CODE	COMPONENT NAME
CC	COMPRESSOR CONTACTOR
CC1	COMPRESSOR CONTACTOR
CC2	COMPRESSOR CONTACTOR
CC3	COMPRESSOR CONTACTOR
CC4	COMPRESSOR CONTACTOR
CC5	COMPRESSOR CONTACTOR
CC6	COMPRESSOR CONTACTOR
CC7	COMPRESSOR CONTACTOR
CC8	COMPRESSOR CONTACTOR
CC9	COMPRESSOR CONTACTOR
CC10	COMPRESSOR CONTACTOR
CC11	COMPRESSOR CONTACTOR
CC12	COMPRESSOR CONTACTOR
CC13	COMPRESSOR CONTACTOR
CC14	COMPRESSOR CONTACTOR
CC15	COMPRESSOR CONTACTOR
CC16	COMPRESSOR CONTACTOR
CC17	COMPRESSOR CONTACTOR
CC18	COMPRESSOR CONTACTOR
CC19	COMPRESSOR CONTACTOR
CC20	COMPRESSOR CONTACTOR
CC21	COMPRESSOR CONTACTOR
CC22	COMPRESSOR CONTACTOR
CC23	COMPRESSOR CONTACTOR
CC24	COMPRESSOR CONTACTOR
CC25	COMPRESSOR CONTACTOR
CC26	COMPRESSOR CONTACTOR
CC27	COMPRESSOR CONTACTOR
CC28	COMPRESSOR CONTACTOR
CC29	COMPRESSOR CONTACTOR
CC30	COMPRESSOR CONTACTOR
CC31	COMPRESSOR CONTACTOR
CC32	COMPRESSOR CONTACTOR
CC33	COMPRESSOR CONTACTOR
CC34	COMPRESSOR CONTACTOR
CC35	COMPRESSOR CONTACTOR
CC36	COMPRESSOR CONTACTOR
CC37	COMPRESSOR CONTACTOR
CC38	COMPRESSOR CONTACTOR
CC39	COMPRESSOR CONTACTOR
CC40	COMPRESSOR CONTACTOR
CC41	COMPRESSOR CONTACTOR
CC42	COMPRESSOR CONTACTOR
CC43	COMPRESSOR CONTACTOR
CC44	COMPRESSOR CONTACTOR
CC45	COMPRESSOR CONTACTOR
CC46	COMPRESSOR CONTACTOR
CC47	COMPRESSOR CONTACTOR
CC48	COMPRESSOR CONTACTOR
CC49	COMPRESSOR CONTACTOR
CC50	COMPRESSOR CONTACTOR
CC51	COMPRESSOR CONTACTOR
CC52	COMPRESSOR CONTACTOR
CC53	COMPRESSOR CONTACTOR
CC54	COMPRESSOR CONTACTOR
CC55	COMPRESSOR CONTACTOR
CC56	COMPRESSOR CONTACTOR
CC57	COMPRESSOR CONTACTOR
CC58	COMPRESSOR CONTACTOR
CC59	COMPRESSOR CONTACTOR
CC60	COMPRESSOR CONTACTOR
CC61	COMPRESSOR CONTACTOR
CC62	COMPRESSOR CONTACTOR
CC63	COMPRESSOR CONTACTOR
CC64	COMPRESSOR CONTACTOR
CC65	COMPRESSOR CONTACTOR
CC66	COMPRESSOR CONTACTOR
CC67	COMPRESSOR CONTACTOR
CC68	COMPRESSOR CONTACTOR
CC69	COMPRESSOR CONTACTOR
CC70	COMPRESSOR CONTACTOR
CC71	COMPRESSOR CONTACTOR
CC72	COMPRESSOR CONTACTOR
CC73	COMPRESSOR CONTACTOR
CC74	COMPRESSOR CONTACTOR
CC75	COMPRESSOR CONTACTOR
CC76	COMPRESSOR CONTACTOR
CC77	COMPRESSOR CONTACTOR
CC78	COMPRESSOR CONTACTOR
CC79	COMPRESSOR CONTACTOR
CC80	COMPRESSOR CONTACTOR
CC81	COMPRESSOR CONTACTOR
CC82	COMPRESSOR CONTACTOR
CC83	COMPRESSOR CONTACTOR
CC84	COMPRESSOR CONTACTOR
CC85	COMPRESSOR CONTACTOR
CC86	COMPRESSOR CONTACTOR
CC87	COMPRESSOR CONTACTOR
CC88	COMPRESSOR CONTACTOR
CC89	COMPRESSOR CONTACTOR
CC90	COMPRESSOR CONTACTOR
CC91	COMPRESSOR CONTACTOR
CC92	COMPRESSOR CONTACTOR
CC93	COMPRESSOR CONTACTOR
CC94	COMPRESSOR CONTACTOR
CC95	COMPRESSOR CONTACTOR
CC96	COMPRESSOR CONTACTOR
CC97	COMPRESSOR CONTACTOR
CC98	COMPRESSOR CONTACTOR
CC99	COMPRESSOR CONTACTOR
CC100	COMPRESSOR CONTACTOR

FACTORY STD.	FIELD	OPTIONAL
HIGH VOLTAGE	---	---
LOW VOLTAGE	---	---
ACCESSORY	---	---

BK	BR	R	D	Y	B	W	V	BL	OR	PR	PK	GR	SL	V	PL	PK	PK	L	T	PR	GR	SL	Y	PL	PK	L
BLACK	BROWN	RED	ORANGE	YELLOW	GREEN	WHITE	BLUE	RED	ORANGE	PURPLE	PINK	GRAY	SLATE	VIOLET	(PR)	BLACK	BLACK	---	TAN	PURPLE	GRAY	SLATE	YELLOW	GREEN	WHITE	BLUE
INDICATOR	INDICATOR	INDICATOR	INDICATOR	INDICATOR	INDICATOR	INDICATOR	INDICATOR	INDICATOR	INDICATOR	INDICATOR	INDICATOR	INDICATOR	INDICATOR	INDICATOR	INDICATOR	INDICATOR	INDICATOR	INDICATOR	INDICATOR	INDICATOR	INDICATOR	INDICATOR	INDICATOR	INDICATOR	INDICATOR	INDICATOR

DRG.	CHK.	CHK./APPR.
4095-310	---	---
---	---	---
---	---	---

BARB WFC. CO.

▲, ▲ Labeled wires connect if no options used. ▲ RED (LOW) BLACK (HIGH)

