

INSTALLATION INSTRUCTIONS

HIGH EFFICIENCY PACKAGED AIR CONDITIONER

MODELS

P1124A1

P1130A1

P1136A1

**FOR RESIDENTIAL AND COMMERCIAL
HEATING/COOLING APPLICATIONS**

MANUAL: 2100-176 REV. G
SUPERSEDES: REV. F
FILE: Vol. II, Tab 10
DATE: 06-10-95

SECTION 1 --GETTING OTHER INFORMATION AND PUBLICATIONS

These publications can help you install the air conditioner or heat pump. You can usually find these at your local library or purchase them directly from the publisher. Be sure to consult current edition of each standard.

National Electrical Code	-ANSI/NFPA 70
Standard For The Installation Of Air Conditioning and Ventilating Systems	-ANSI/NFPA 90A
Standard For Warm Air Heating and Air Conditioning Systems	-ANSI/NFPA 90B
Load Calculation For Residential Winter and Summer Air Conditioning	-ACCA Manual J
Duct Design For Residential Winter and Summer Air Conditioning and Equipment Selection	-ACCA Manual D

FOR MORE INFORMATION, CONTACT THESE PUBLISHERS

ACCA:	AIR CONDITIONING CONTRACTORS OF AMERICA 1513 16th Street NW Washington, DC 20036 Telephone: (202) 483-9370	Fax: (202) 234-4721
ANSI:	AMERICAN NATIONAL STANDARDS INSTITUTE 11 West Street, 13th Floor New York, NY 10036 Telephone: (212) 642-4900	Fax: (212) 302-1286
ASHRAE:	AMERICAN SOCIETY OF HEATING REFRIGERATING AND AIR CONDITIONING ENGINEERS, INCORPORATED 1791 Tullie Circle, N.E. Atlanta, GA 30329-2305 Telephone: (404) 636-8400	Fax: (404) 321-5478
NFPA:	NATIONAL FIRE PROTECTION ASSOCIATION Batterymarch Park P. O. Box 9101 Quincy, MA 02269-9901 Telephone: (800) 344-3555	Fax: (617) 984-7057

COPYRIGHT JUNE, 1995
BARD MANUFACTURING COMPANY
BRYAN, OH 43506 USA

TABLE OF CONTENTS

I.	General Instructions.	2
	A. Important	2
	B. Shipping Damage	2
	C. General	2
	D. Field Installed Heater Packages (Optional).	3
II.	Installation.	5
	A. Location.	5
	B. Typical Installations	7
	C. Condensate Drain Trap	8
	D. Air Filters	8
	E. Wiring.	8
	1. Main Power.	8
	2. 24V Low Voltage Control Circuit	9
	3. Thermostats	9
	4. Transformer Taps.	10
III.	Startup and Operation	10
	A. Three Phase Scroll Compressor Startup Information	10
	B. Sequence of Operation	10
	D. Startup Notes	10
IV.	Service and Troubleshooting	11
	A. Service Hints	11
	B. Pressure Service Ports.	11
	C. Refrigerant Charge.	11
	D. Fan Blade Settings.	11
	G. Suction and Discharge Tube Brazing.	12
	H. Discharge (Top Cap) Thermostat Except P1136A1-B and P1136A1-C	12
	I. Pressure Table	14

FIGURES AND TABLES

Figure 1	4
Figure 2	4
Figure 3	6
Figure 4	6
Figure 5	6
Figure 6	6
Figure 7	8
Figure 8	9
Figure 9	11
Figure 10.	12
Figure 11.	13
Figure 12.	13

Table 1	1
Table 2	1
Table 3	2
Table 4	3
Table 5	5
Table 6	9
Table 7	9
Table 8	11
Table 9	14

TABLE 1
ELECTRICAL DATA

Model	Rated Volts & PH	*** HZ	Operating Voltage Range	Max. Unit Amps	Req'd. Maximum External Fuses Or Ckt. Brk *	Minimum Circuit Ampacity	Field Power Wiring**	Ground Wire Size**
					Ckt. A	Ckt. A	Ckt. A	Ckt. A
P1124A	230/208-1	60	197-253	13.3	25	18	10	10
P1124A-D	240/220-1	50	198-264	12.2	25	15	10	10
P1130A	230/208-1	60	197-253	17.2	30	22	10	10
P1130A-D	240/220-1	50	198-264	16.4	30	20	10	10
P1136A	230/208-1	60	197-253	18.7	40	27	8	10
P1136A-B	230/208-3	60	197-253	14.8	25	18	10	10
P1136A-C	460	60	414-506	7.1	15	12	14	14
P1136A-D	240/220-1	50	198-264	35	23	8	10	50

* Maximum time delay fuse or HACR type circuit breaker.

** 75 degree C copper wire size, basic unit only.

*** 50 HZ equipment not UL listed.

TABLE 2
OPTIONAL FIELD INSTALLED HEATER PACKAGES
ARE ONLY TO BE USED WITH THE AIR CONDITIONING
MODEL AS INDICATED BELOW

Heater Package Model No.	Volts and Phase	P1124A P1124A-D	P1130A	P1136A	P1136A-B	P1136A-C
EH3PB-A05	240/1	S	S	S	A	A
EH3PB-A08		S	S	S	A	A
EH3PB-A10		S	S	S	A	A
EH3PB-A15				S (1)	S (1)	A
EH3PB-B09		A	A	A	S	A
EH3PB-B15			A (1)	A (1)	S	A
EH3PB-C09			A	A	A	S
EH3PB-C15			A (1)	A (1)	A	S

S - Standard application--Heater volts and phase same as basic unit.
A - Alternate application--Heater volts and phase different from basic unit.

(1) NOTE: P1130A-D and P1136A-D maximum allowable KW is 10KW

TABLE 3
OPTIONAL FIELD-INSTALLED ELECTRIC HEATER TABLE

Heater Pkg. Model No.	Unit Volts Phase	Htr. KW & Cap. @240V (or 480V if applicable		Heater KW & Capacity @208 Volts		@240V or 480V as Applicable Htr. Amps	Heater Internal Fuses	Circuit B				
								No. Field Ckts.	Minimum Circuit Ampacity	(1) Maximum Overcurrent Protection	(2) Field Power Wiring	(3) Ground Wire Size
EH3PB-A05	240/208-1	5	17,100	3.75	12,800	20.8		1	26	30	10	10
EH3PB-A08	240/208-1	8	27,300	6	20,500	33.3		1	42	45	8	10
EH3PB-A10	240/208-1	10	34,100	7.5	26,000	41.7		1	53	60	6	10
EH3PB-A15	240/208-1	15	51,200	11.25	38,400	62.5	30/60	1	79	80	4	8
EH3PB-B09	240/208-3	9	30,700	6.75	23,000	21.7		1	28	30	10	10
EH3PB-B15	240/208-3	15	51,200	11.25	38,400	36.2		1	46	50	8	10
EH3PB-C09	460/3	9	30,700	---	----	10.8		1	14	15	14	14
EH3PB-C15	460/3	15	51,200	---	----	18		1	23	25	10	10

(1) Time delay fuses or "BACR Type" circuit breakers must be used for 60 and smaller sizes. Standard fuses or circuit breakers are suitable for sizes 70 and larger.

(2) Based on wire suitable for 75 ° C. Other wiring materials must be rated for marked "Minimum Circuit Ampacity" or greater.

(3) Based upon Table 250-95 of N.E.C. 1993. See electrical data for basic heat pump for Ckt. A wiring specification requirements.

IMPORTANT: While this electrical data is presented as a guide, it is important to electrically connect, properly size fuses and conductor wires in accordance with the National Electrical Code and all existing local codes.

GENERAL INSTRUCTIONS

IMPORTANT

The equipment covered in this manual is to be installed by trained, experienced service and installation technicians. Any heat pump is more critical of proper operating charge and an adequate duct system than a straight air conditioning unit. All duct work, supply and return, must be properly sized for the design air flow requirement of the equipment. ACCA is an excellent guide to proper sizing. All duct work or portions thereof not in the conditioned space should be properly insulated in order to both conserve energy and prevent condensation or moisture damage.

SHIPPING DAMAGE

Upon receipt of equipment, the carton should be checked for external signs of shipping damage. If damage is found, the receiving party must contact the last carrier immediately, preferably in writing, requesting inspection by the carrier's agent.

GENERAL

The refrigerant system is completely assembled and charged. All internal wiring is complete.

The unit is designed for use with or without duct work. Flanges are provided for attaching the supply and return ducts.

These instructions explain the recommended method to install the air cooled self-contained unit and the electrical wiring connections to the unit.

These instructions and any instructions packaged with any separate equipment required to make up the entire air conditioning system should be carefully read before beginning the installation. Note particularly "Starting Procedure" and any tags and/or labels attached to the equipment.

While these instructions are intended as a general recommended guide, they do not supersede any national and/or local codes in any way. Authorities having jurisdiction should be consulted before the installation is made.

FIELD INSTALLED HEATER PACKAGES (OPTIONAL)

These packaged heat pumps are manufactured without supplementary electric heaters. Supplementary heaters BB3PB series (to fit P1124A1, P1130A1, and P1136A1) are available for simple, fast, field installation.

A separate field power circuit is required for the supplementary heaters.

IMPORTANT: Refer to Table 4 when designing ductwork for maximum available static pressure with heater installed.

Refer to the electrical data shown on pages 1 and 2 for proper application information on all available heater combinations and what units they can be used with. It also shows the applicable circuit ampacities, fuse size, and wire size for each heater combination.

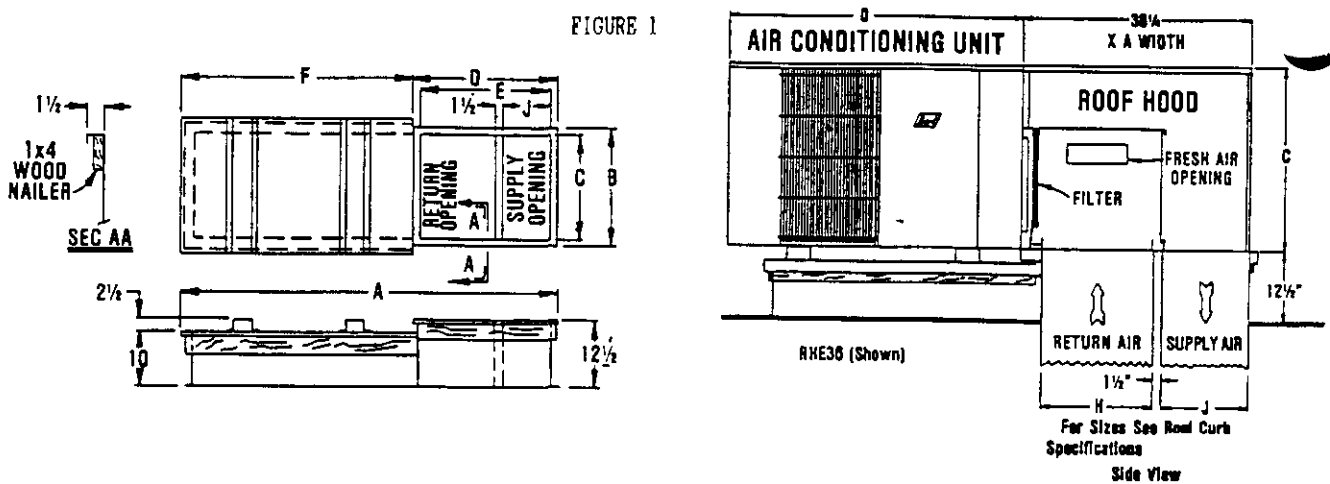
Refer to the installation instructions packed with the heater for details on how to insert it into the basic unit.

TABLE 4
RATED CFM AND EXTERNAL STATIC PRESSURE (ESP)
WET COIL (COOLING)

Model	Rated CFM	Rated ESP	Recommended Air Flow Range
P1124A	800	.20	720 - 880 CFM
P1124A-D	720	.20	650 - 700 CFM
P1130A	1150	.35	1020 - 1275 CFM
P1130A-D	1035	.20	930 - 1140 CFM
P1136A	1275	.30	1150 - 1400 CFM
P1136A-D	1150	.20	1050 - 1275 CFM

PREFABRICATED ROOF CURB SPECIFICATIONS
HEAVY GAUGE GALVANIZED WITH WOOD NAILING STRIP, WELDED/LEAKPROOF
ONE PIECE CONSTRUCTION--READY TO INSTALL

FIGURE 1



CURB AND ROOF HOOD DETAILS

Roof Curb	A	B	C*	D	E	F	J*	H*	Roof Hood Model	Heat Pump and Air Conditioning Units
9042-003	80-3/8	40-1/4	37-1/4	38-3/8	35-3/8	42	14-3/4	19-1/8	RHE36	P1124A, P1130A, P1136A

CURB AND ROOF HOOD DETAILS

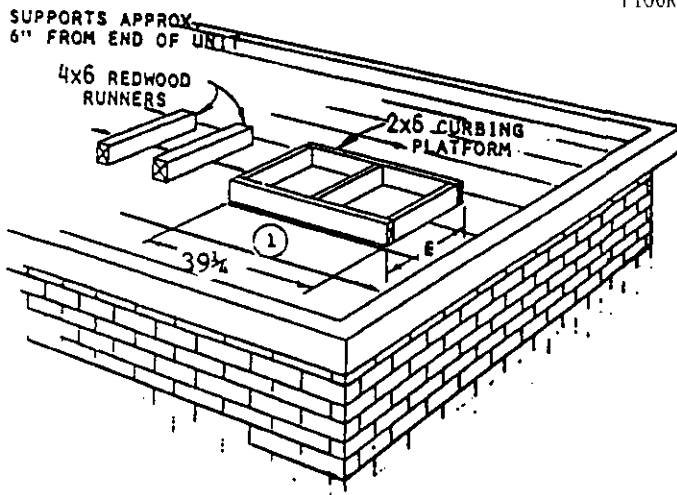
*** Duct Sizing Information**

Return Air Dimension "C" is length
 Return Air Dimension "H" is width

Supply Air Dimension "C" is length
 Supply Air Dimension "J" is width

FIELD FABRICATED CURBING

FIGURE 2



Roof Hood Model	Unit Model	E
RHE36	P1124A P1130A P1136A	41

① A separate metal flashing should be installed around wood curbing. Caulk and seal all joints and weatherproof.

INSTALLATION

LOCATION

GENERAL--The unit must be located outside, or in a well ventilated area. It must not be in the space being heated or cooled. A sound absorbing material should be considered if the unit is to be installed in such a position or location that might cause transmission of sound or vibration to the living area or adjacent buildings.

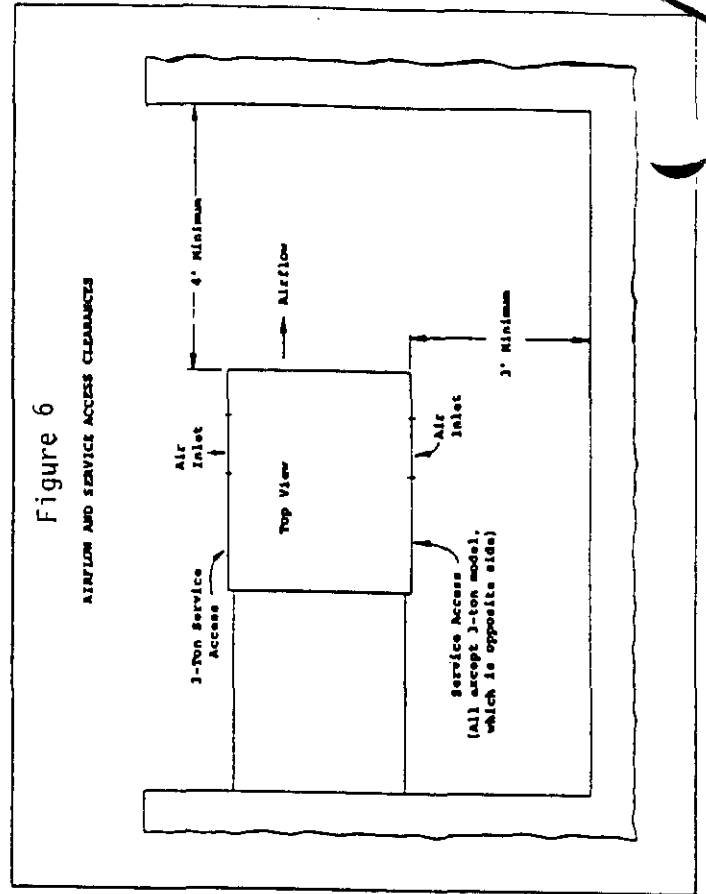
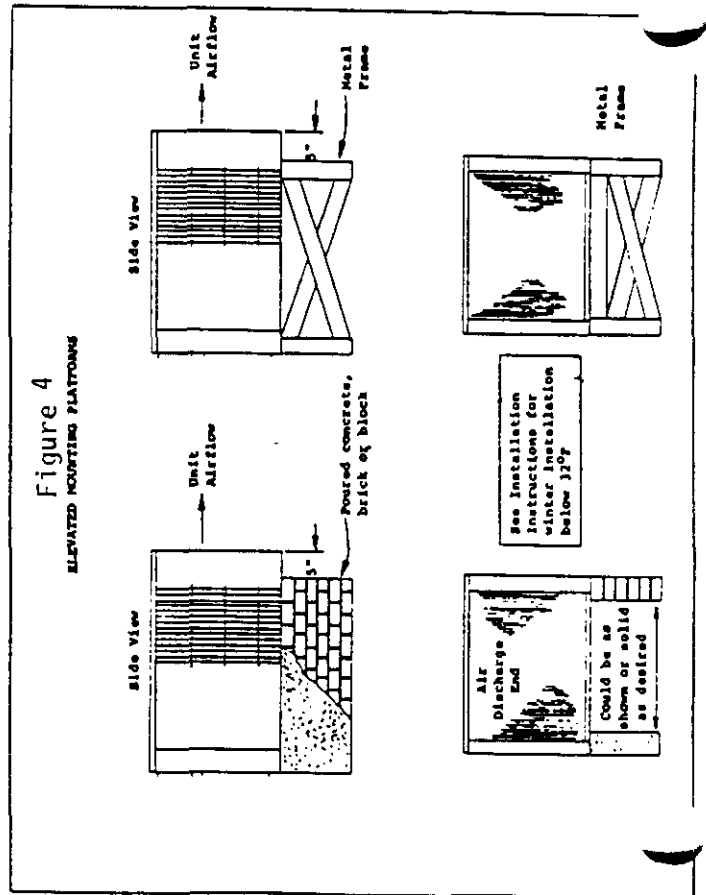
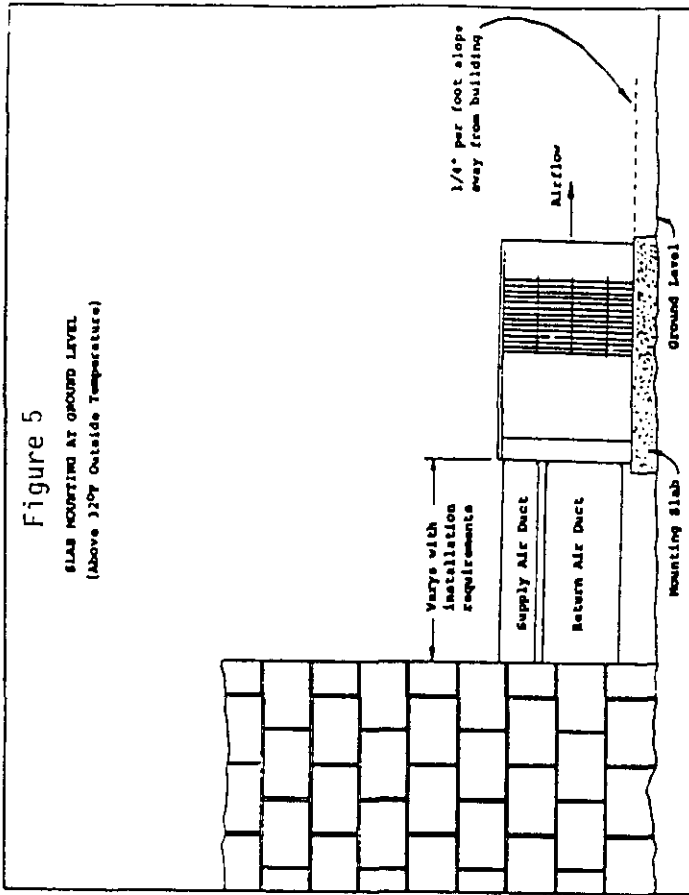
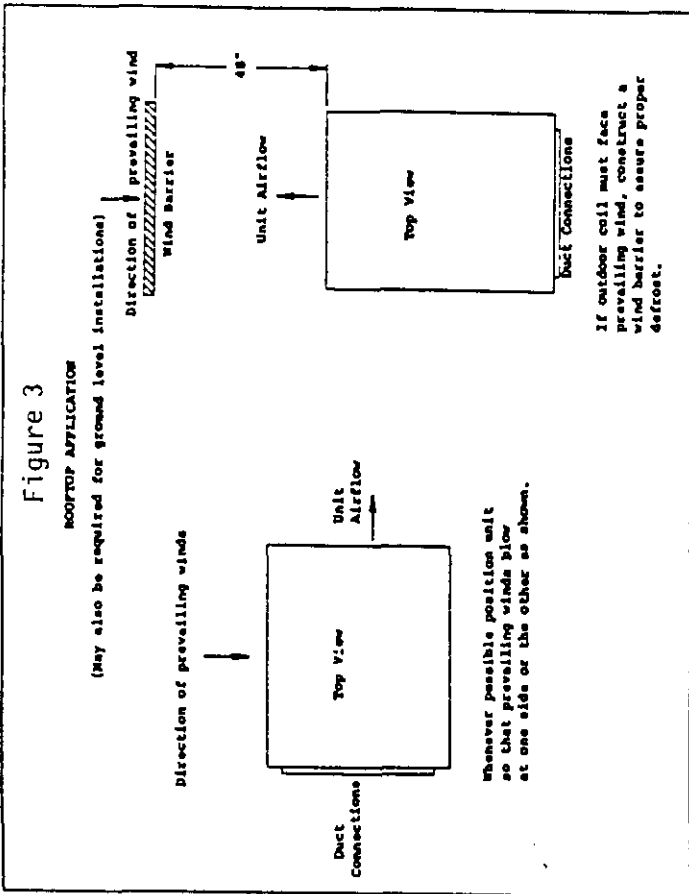
SLAB MOUNTING--In areas where winter temperatures DO NOT go below 32°F for periods over twelve hours, the unit may be slab mounted at grade level. When installing unit at grade level, install on a concrete slab at least four inches above finished grade level. Slab should have a slope tolerance away from the building structure of at least 1/4 inch per foot, while being level from side to side. This will prevent ice buildup under the unit during defrost cycles. Place slab in a location where run-off water from higher ground will not collect around unit. See Figure 4.

A minimum of 18 inches should be provided between the coil inlet and any building surfaces. Provide at least four feet between coil outlet and any building wall, fences or other vertical structures. Provide a minimum of three feet clearance on the service access side of the unit. See Figure 6.

ROOF MOUNTING--When a unit is installed in areas where low ambient temperatures or strong winter winds exist, it should be placed so prevailing winter winds are not in direct line with the outdoor coil. If this is not possible, a wind barrier should be constructed. Place barrier 24 inches from the coil inlet side of the unit and in the direction of prevailing winds. Size barrier at least the same height and width as the unit. This may be necessary on ground level installations. See Figure 3.

WINTER INSTALLATION BELOW 32°F--In areas where winter conditions go below 32°F for extended periods, the unit must be elevated above the mounting surface to prevent snowfall or defrost ice accumulation from interfering with the operation of the unit. A minimum of twelve inch elevation is recommended, while greater elevation may be required for areas of high snow accumulation. Poured concrete, steel framework, brick, cement block, etc., can be utilized to construct a suitable raised mounting platform. See Figure 5.

DUCTWORK--Refer to Table 4 when designing ductwork for maximum static pressure available with the specific model and heater package being installed.



TYPICAL INSTALLATIONS

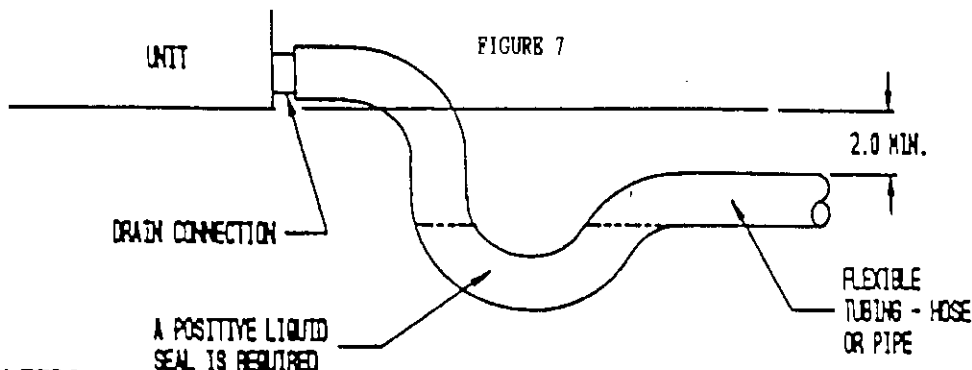
1. **ROOF MOUNTED**--The unit is mounted on a sturdy base on the roof of the building. Return air to the unit is brought through a single return grille (grilles with built-in filters are best, since they enable easy access for filter changing). Return air ducts are attached to the lower section of the front panel. Supply air is brought from the unit to attic duct work or to a furred down hall. Supply air duct is attached to the top of the front panel. CAUTION: All outdoor duct work must be thoroughly insulated and weatherproofed. All attic duct work must be thoroughly insulated. Two inch thick insulation with suitable vapor barrier is recommended for both outdoor and attic runs. In rooftop installations, as in all installations, the heat pump must be level from side to side. However, the unit should have a pitch along the length to assure complete external drainage of precipitation and of defrost condensate.
2. **CRAWL SPACE**--Duct work installed in crawl space must be well insulated and provided with a vapor barrier. In addition, the crawl space must be thoroughly ventilated and provided with a good vapor barrier as a ground cover. It is most desirable to install the unit outdoors, rather than inside the crawl space, so that it will be readily accessible for service. In addition, it is necessary to dispose of the condensate from the outdoor coil on the heating cycle, and this is virtually impossible with the unit installed inside the crawl space.
3. **SLAB MOUNTED AT GROUND LEVEL**--This type installation is ideal for homes with a slab floor construction, where a roof mounted unit is not desired. The supply and return duct work can be run through a furred closet space.
4. **THRU-THE-WALL**--This type installation requires a suitable framework to be fabricated capable of withstanding the unit weight. Normally the unit will be insulated so as to minimize supply and return duct work.
5. **OTHER INSTALLATIONS**--Many other installations are possible with the packaged heat pump. No matter what the installation, always consider the following facts:
 - A. Insure that the discharge air is not obstructed in any way so as to cause operation difficulties.
 - B. The indoor coil drain pan is equipped with a coupling that must be piped through a condensate drain trap to a suitable drain.
 - C. Always mount the unit in such a position that it may be easily reached for servicing and maintenance.
 - D. Insure that the unit is clear so that proper air flow over the outdoor coil will be maintained.

If this unit is operated in cooling below a 65° outdoor ambient temperature, the installation of low ambient controls (CMA-6) to unit is required.

CONDENSATE DRAIN TRAP

It is very important to provide a trap in the condensate drain line to allow a positive liquid seal in the line and assure correct drainage from the coil condensate pan.

Install condensate drain trap shown below. Use drain connection size or larger. Do not operate unit without trap. Unit must be level or slightly inclined toward drain. With a trap installed on a unit located in an unconditioned area, water in the trap may freeze. It is recommended that the trap material be of a type that will allow for expansion of water when it freezes.



AIR FILTERS

Air filters for the return air side of the system are not provided as part of the various types of applications for these models, and must be field supplied and installed as part of the final installation.

Prior thought should be given to return air location and placement of the air filter(s). The air filter(s) must be of adequate size and readily accessible to the operator of the equipment. Filters must be adequate in size and properly maintained for proper operation. If this is not done, excessive energy use, poor performance, and multiple service problems will result. IT IS IMPOSSIBLE TO OVERSIZE AIR FILTERS. Generous sizing will result in cleaner air and coils, as well as lower operating costs and extend the time between required changes. The following table shows minimum filter areas and recommended filter sizes. Actual filter sizes can vary with the installation due to single or multiple returns utilizing a filter/grille arrangement or being placed immediately ahead of the indoor coil face in the return air duct.

TABLE 5

Model	Minimum Filter Areas	Recommended Size
P1124A, P1130A, P1136A	462 sq.in. (3.21 sq.ft.)	15 x 30-5/8 x 1

NOTE: If roof hood accessory is to be used, information on air filters may be found under that heading in this manual. Air filters are supplied as part of that package.

WIRING--MAIN POWER

Refer to the unit rating plate for wire sizing information and maximum fuse size. Each outdoor unit is marked with a "Minimum Circuit Ampacity". This means that the field wiring used must be sized to carry that amount of current. If field installed heaters are added to the basic unit, a second, separate power supply circuit will be required. The heater rating plate located adjacent to the basic unit rating plate will show the appropriate circuit ampacity, fuse size, etc. (Also see "Electrical Data" on pages 1 and 2). All models are suitable only for connection with copper wire only. These instructions MUST BE adhered to. Refer to the National Electrical Code for complete current carrying capacity data on the various insulation grades of wiring material.

The electrical specifications on pages 1 and 2 lists fuse and wire sizes (75°F copper) for all models, including the most commonly used heater sizes.

The unit rating plate lists a "Maximum Time Delay Fuse" or "RACR" type circuit breaker that is to be used with the equipment. The correct size must be used for proper circuit protection and also to assure that there will be no nuisance tripping due to the momentary high starting current of the compressor.

WIRING--24V LOW VOLTAGE CONTROL CIRCUIT

Five (5) wires should be run from thermostat subbase to the 24V terminal board in the unit. A five conductor, 18 gauge copper, color-coded thermostat cable is recommended. The connection points are shown on most of the wiring diagrams and are also shown below.

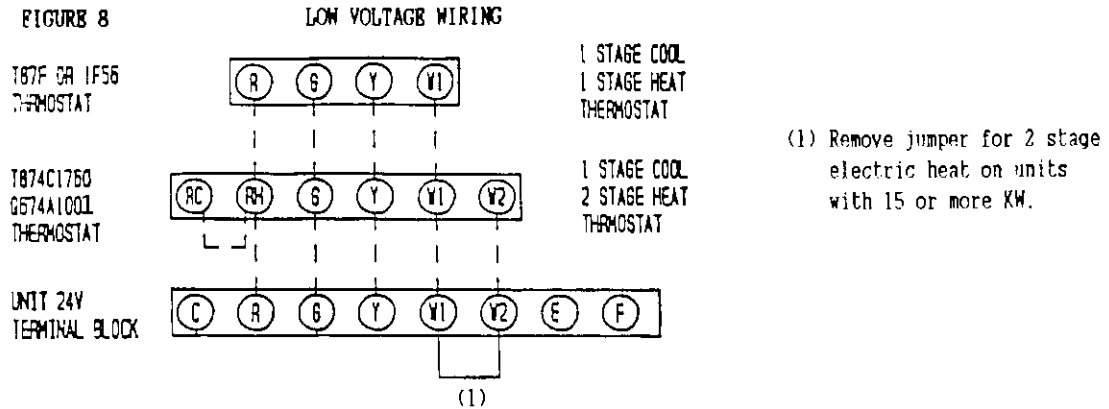


TABLE 6 THERMOSTAT WIRE SIZE

Transformer VA	FLA	Wire Gauge	Maximum Distance In Feet
55	2.3	20	45
		18	60
		16	100
		14	160
		12	250

IMPORTANT NOTE: Only the thermostat and subbase combinations as shown above will work with this equipment. The thermostat and subbase **MUST** be matched, and correct operation can be assured only by proper selection and application of these parts.

THERMOSTATS

See specific wiring information for the different models, heater KW's, and voltages on pages 12 and 13.

TABLE 7

WALL THERMOSTAT AND SUBBASE COMBINATIONS		
Thermostat	Subbase	Predominant Feature
8403-019 (T874C1760)	8404-012 (Q674A1001)	1 stage cool, 2 stage heat System: heat-auto-cool Fan: on-auto
8403-002 (T87F3111)	8404-003 (Q539A1220)	1 stage heat, 1 stage cool System: heat-off-cool Fan: on-auto
8403-009 (IF56-318)	-----	1 stage heat, 1 stage cool System: heat-off-cool Fan: on-auto

- (1) No automatic changeover position--must manually place in heat or cool. Reversing valve remains energized at all times system switch is in heat position (except during defrost cycle). No pressure equalization noise when thermostat is satisfied on either heating or cooling.
- (2) Allows thermostat to control both heating and cooling operation when set in "AUTO" position. Reversing valve deenergizes at end of each "ON" heating cycle.

IMPORTANT NOTE: Both thermostat and subbase combinations shown above incorporate the following features: Man-Auto fan switch, Off-Heat-Cool-Em. Heat Switch, and two (2) indicator lamps--one for emergency heat and one for compressor malfunction.

TRANSFORMER TAPS

230/208V, 1 phase and 3 phase equipment employ dual primary voltage transformers. All equipment leaves the factory wired on 240V tap. For 208V operation, reconnect from 240V to 208V tap. The acceptable operating voltage range for the 240 and 208V taps are:

<u>TAP</u>	<u>RANGE</u>
240	253 - 216
208	220 - 187

NOTE: The voltage should be measured at the field power connection point in the unit and while the unit is operating at full load (maximum amperage operating condition).

START UP AND OPERATION

THREE PHASE SCROLL COMPRESSOR START UP INFORMATION

Scroll compressors, like several other types of compressors, will only compress in one rotational direction. Direction of rotation is not an issue with single phase compressors since they will always start and run in the proper direction.

However, three phase compressors will rotate in either direction depending upon phasing of the power. Since there is a 50-50 chance of connecting power in such a way as to cause rotation in the reverse direction, verification of proper rotation must be made. Verification of proper rotation direction is made by observing that suction pressure drops and discharge pressure rises when the compressor is energized. Reverse rotation also results in an elevated sound level over that with correct rotation, as well as, substantially reduced current draw compared to tabulated values.

There is no negative impact on durability caused by operating three phase Compliant Scroll compressors in the reversed direction. However, after several minutes of operation, the compressor's internal protection will trip.

All three phase ZR*3 compressors are wired identically internally. As a result, once the correct phasing is determined for a specific system or installation, connecting properly phased power leads to the same Fusite terminals should maintain proper rotation direction.

THE DIRECTION OF ROTATION OF THE MOTOR MAY BE CHANGED BY REVERSING ANY TWO LINE CONNECTIONS TO THE UNIT.

SEQUENCE OF OPERATION

COOLING--Circuit R-Y makes at thermostat pulling in compressor contactor starting the compressor and outdoor motor. The G (indoor motor) circuit is automatically completed on any call for cooling operation, or can be energized by manual fan switch on subbase for constant air circulation.

HEATING--A circuit R-W1 is completed on each heating cycle energizing electric heat if so equipped.

START UP NOTES

For improved start-up performance, wash the indoor coil with a dishwasher detergent.

HIGH PRESSURE SWITCH AND LOCKOUT RELAY (ALL MODELS EXCEPT P1136A1-B, P1136A1-C, and P1136A1-D)

The air conditioners are equipped with an auto reset high pressure switch and lockout relay. The lockout relay may be reset by turning the thermostat to off or satisfying the thermostat.

SERVICE AND TROUBLESHOOTING

SERVICE HINTS

1. Caution homeowner to maintain clean air filters at all times. Also, not to needlessly close off supply and return air registers. This reduces air flow through the system which shortens equipment service life as well as increasing operating costs.
2. Check all power fuses or circuit breakers to be sure that they are the correct rating.
3. Periodic cleaning of the outdoor coil to permit full and unrestricted airflow circulation is essential.

PRESSURE SERVICE PORTS

High and low pressure service ports are installed on all units so that the system operating pressures can be observed. Pressure tables can be found later in the manual covering all models on both cooling and heating cycles. It is imperative to match the correct pressure table to the unit by model number.

REFRIGERANT CHARGE

The correct system R-22 charge is shown on the unit rating plate. Optimum unit performance will occur with a refrigerant charge resulting in a suction line temperature (6" from compressor) as shown in the following table:

The above suction line temperatures are based upon 80°F dry bulb/67°F wet bulb (50 percent RH) temperature and rated airflow across the evaporator during cooling cycle.

TABLE 8

Model	Rated Airflow	95 Degree F OD Temperature	82 Degree F OD Temperature
P1124A	800	56 - 58	63 - 65
P1124A-D	720	56 - 58	63 - 65
P1130A	1150	56 - 58	63 - 65
P1130A-D	1035	56 - 58	63 - 65
P1136A	1275	57 - 59	58 - 60
P1136A-D	1150	57 - 59	58 - 60

FAN BLADE SETTINGS

Shown in the drawing below are the correct fan blade setting dimensions for proper air delivery across the outdoor coil.

Any service work requiring removal or adjustment in the fan and/or motor area will require that the dimensions below be checked and blade adjusted in or out on the motor shaft accordingly.

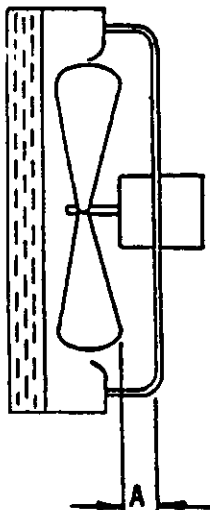


FIGURE 9

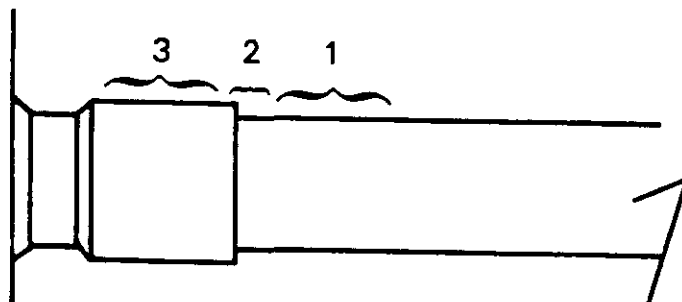
Model	Dimension A
P1124A1	1.00"
P1130A1	.75"
P1136A1	1.00"

SUCTION AND DISCHARGE TUBE BRAZING

Compliant Scroll Compressors have copper plated steel suction and discharge tubes. These tubes are far more rugged and less prone to leaks than copper tubes used on other compressors. Due to a different thermal properties of steel and copper, brazing procedures may have to be changed from those commonly used.

- To disconnect: heat joint Areas 2 and 3 Slowly and uniformly until braze material softens and tube can be pulled out of suction fitting.
- To reconnect.
 - Recommended brazing materials: silfos with minimum 5% silver or silver braze material with flux.
 - Reinsert tube into fitting.
 - Heat tube uniformly in Area 1, moving slowly to Area 2. When joint reaches brazing temperature, apply brazing material.
 - Heat joint uniformly around the circumference to flow braze material completely around the joint.
 - Slowly move torch into Area 3 to draw braze material into joint.
 - Do no overheat joint.

FIGURE 10



DISCHARGE (TOP CAP) THERMOSTAT Except P1136A1-B, P1136A1-C and P1136A1-D

All P11 series models feature scroll compressors. Since the scroll is a new type of compressor, there are a number of application characteristics that are different than the traditional reciprocating compressor.

Internal discharge temperatures reached under some extreme operating conditions (such as loss of charge or extremely high compression ratio caused by failure of evaporator fan) can cause compressor damage. In order to guarantee positive compressor protection, a thermostat has been designed into the Compliant Scroll which senses dangerous discharge temperature levels and removes power from the compressor until temperature levels are safe again. The approximate thermostat cut-out/cut-in temperatures are 290/140°F. THIS PROTECTIVE DEVICE SHOULD NEVER BE BYPASSED FOR ANY PURPOSE.

The thermostat can be tested for proper operation by the following procedures:

To check for low temperature, check electrical continuity with the thermostat below 140°F. If the thermostat shows open, it should be replaced.

To check for high temperature protection, the thermostat should remain closed for increasing discharge line temperatures up to 290°F, and then open as temperature rises above 290°F. If the thermostat is open when temperature is between 140 and 290°F, the thermostat will have to be allowed to cool to 140°F to close before testing high temperature operation. If the thermostat opens below 290°F with rising temperature, it should be replaced.

The thermostat can be replaced by following these steps. Carefully pry the plastic cover open with a screwdriver. The thermostat is held to the bottom of the well with adhesive. Pry the thermostat from the well. (See Figure 14) The replacement thermostat does not require adhesive but must be held down with the neoprene spacer provided with the cover. The new cover is held down by snapping the prongs into the rim of the thermostat well after a silicone sealant provided to reseal the cover is applied to the rims of the well cover. The sensor terminals are located outside the compressor terminal box. Figure 15 shows the arrangement of compressor line voltage terminals and discharge sensor terminals.

Because of its very high volumetric efficiency, a Compliant Scroll Compressor will draw extremely low vacuums when the suction side of the compressor is closed or severely restricted. These vacuums, if achieved, can cause internal Fusite arcing resulting in a damaged or failed compressor. Damage resulting from internal Fusite arcing due to low pressure is obvious at compressor teardown and will result in denial of warranty claims.

In addition to possibly damaging the Fusite, the internal arcing caused by operation of Compliant Scroll compressors at deep vacuum conditions may cause tripping of circuit breakers, blowing of fuses, or tripping of the external compressor thermostat.

FIGURE 11

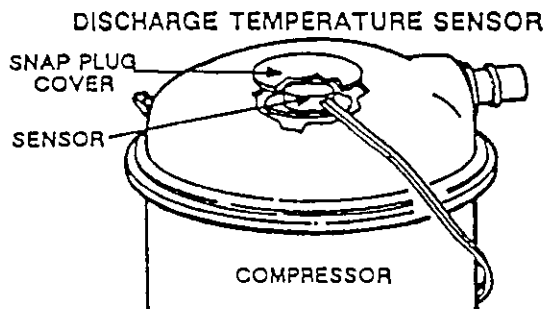
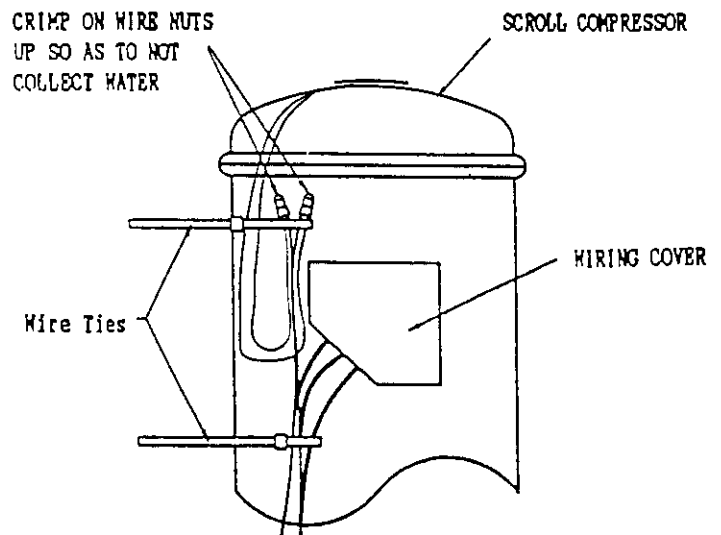


FIGURE 12

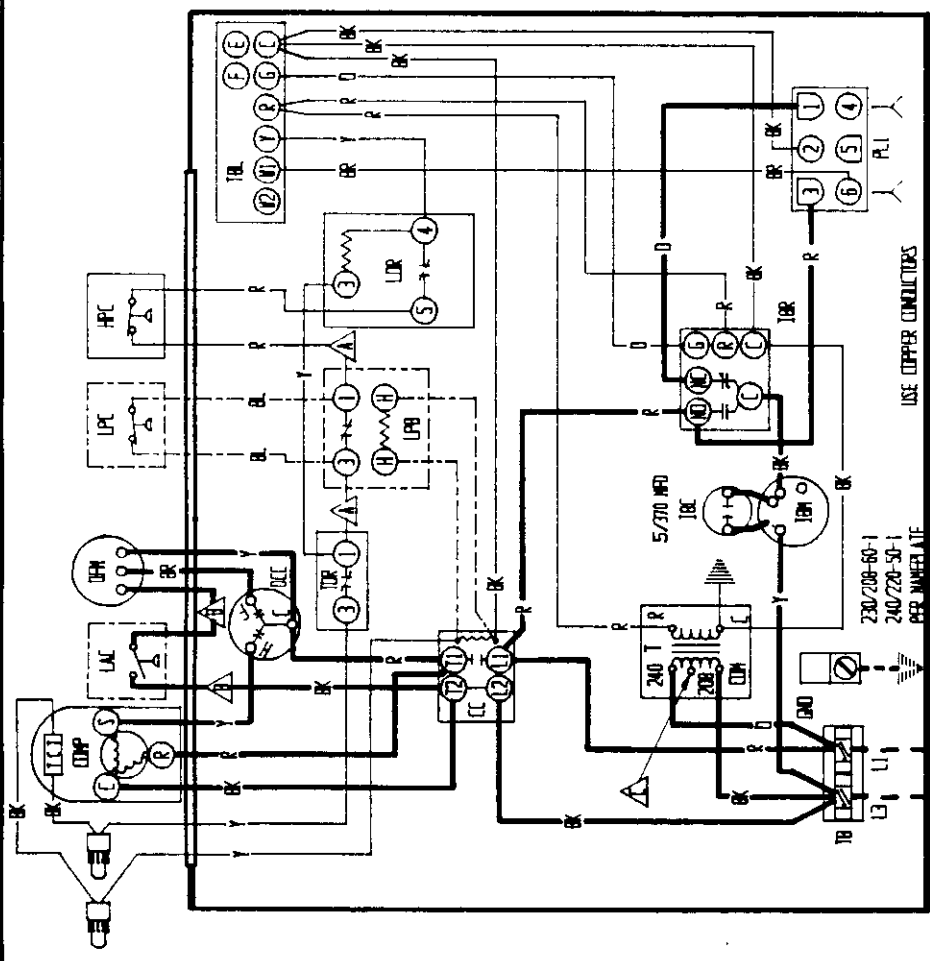
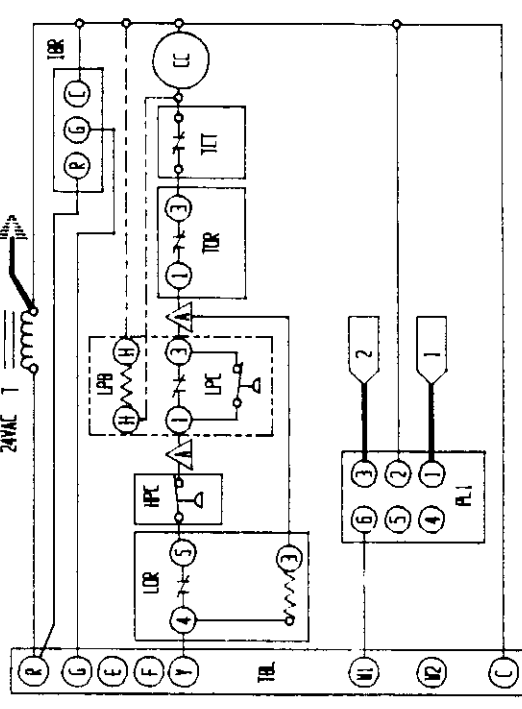
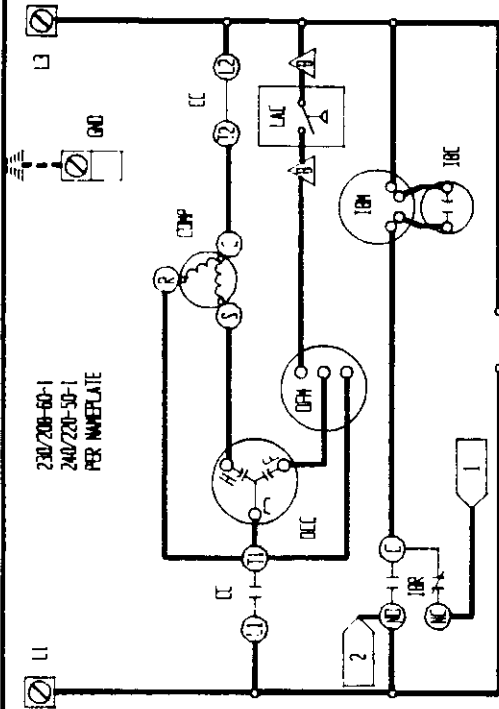


COOLING

TABLE 9

Air Temperature Entering Outdoor Coil Degree F

Model	Return Air Temperature	Pressure	°	°	°	°	°	°	°	°	°
			75	80	85	90	95	100	105	110	115
P1124A1	75 deg. DB	Low Side	70	74	77	79	80	82	83	84	85
	62 deg. WB	High Side	219	220	224	234	248	258	276	293	316
	80 deg. DB	Low Side	75	79	82	84	86	88	89	90	91
	67 deg. WB	High Side	224	225	230	240	254	265	283	300	324
P1130A1	85 deg. DB	Low Side	81	85	88	90	92	95	96	97	98
	72 deg. WB	High Side	232	233	238	248	263	274	293	311	335
	75 deg. DB	Low Side	73	75	76	77	79	80	81	82	83
	62 deg. WB	High Side	200	219	234	254	271	288	307	327	342
P1136A1	80 deg. DB	Low Side	78	80	81	82	84	85	86	87	88
	67 deg. WB	High Side	205	225	240	260	278	295	315	335	351
	85 deg. DB	Low Side	84	86	87	88	90	91	92	94	95
	72 deg. WB	High Side	212	233	248	269	287	305	326	347	363
P1136A1	75 deg. DB	Low Side	67	71	73	75	77	78	79	80	81
	62 deg. WB	High Side	195	215	229	249	263	282	302	317	336
	80 deg. DB	Low Side	72	76	78	80	82	84	85	86	87
	67 deg. WB	High Side	200	220	235	255	270	290	310	325	345
P1136A1	85 deg. DB	Low Side	77	82	84	86	88	90	91	92	94
	72 deg. WB	High Side	207	228	243	264	279	300	321	336	357



CAPACITOR	PART NO.	MODEL
30/5-370	8532-047	P122AA1

COMPONENT CODE	LOW PRESSURE CONTROL	OUTDOOR FAN MOTOR
CC	PLUS #1	TRANSFORMER
DFM	TERMINAL BLOCK	LOW VOLTAGE TERMINAL BLOCK
PL1	TIME DELAY RELAY	TOP CAP THERMOSTAT
TBL		
TR		
TCT		

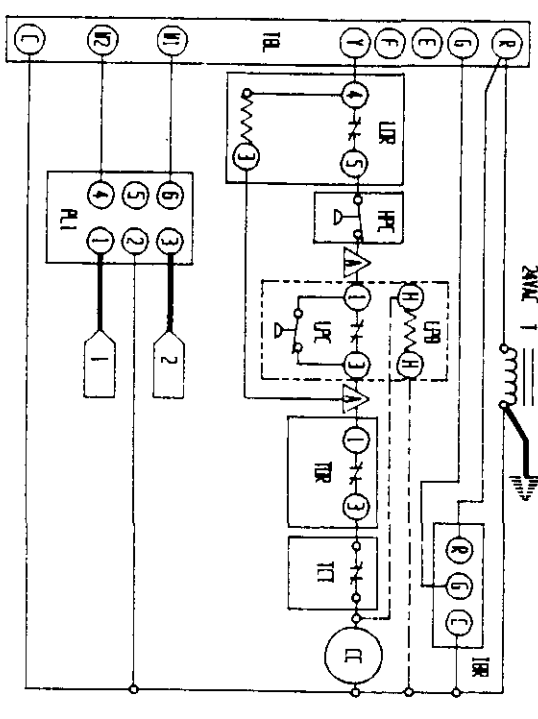
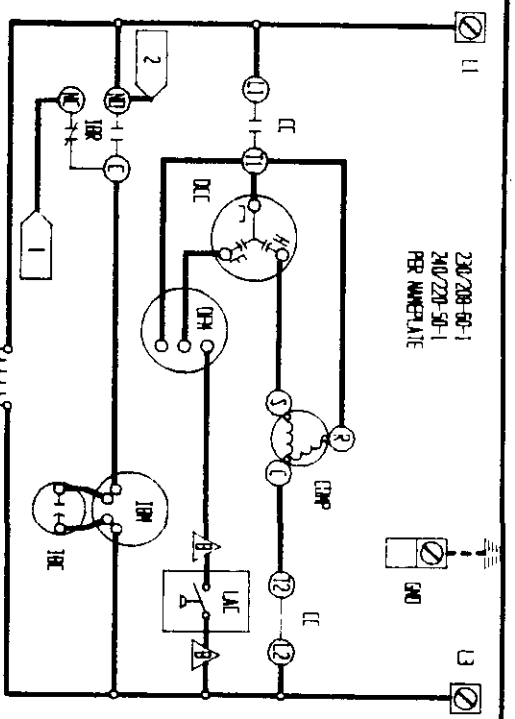
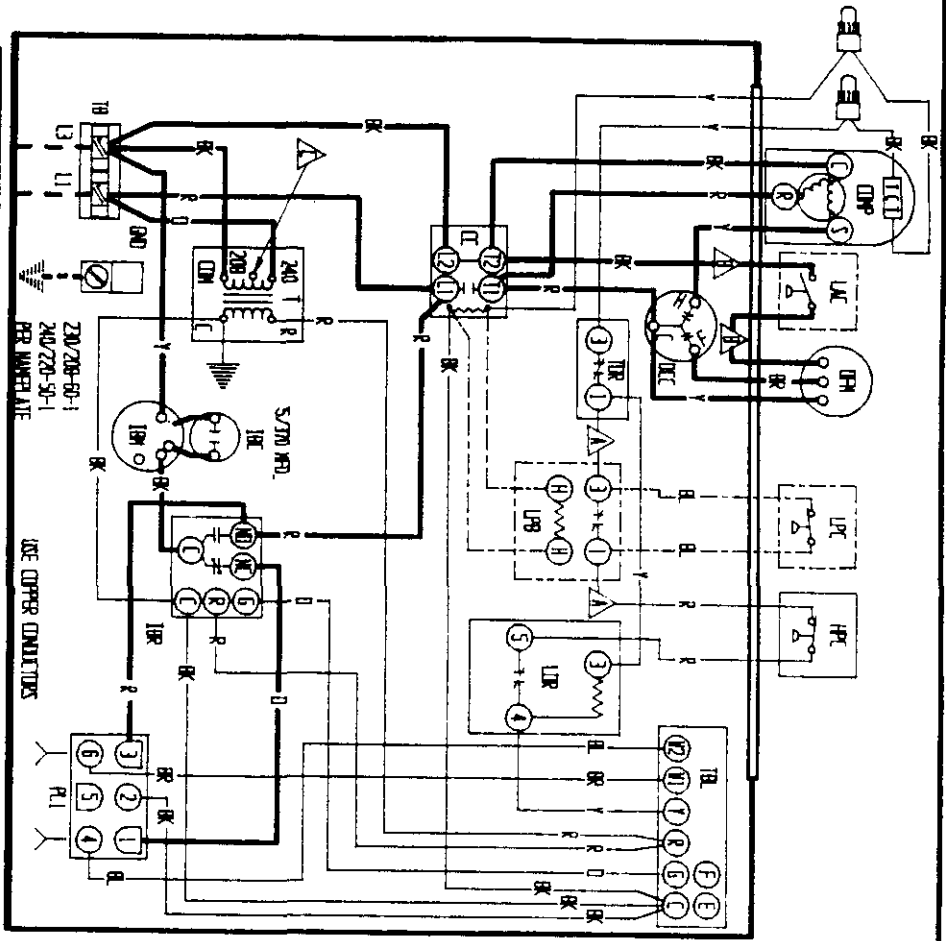
COMPONENT CODE	COMPRESSOR CONTACTOR	COMPRESSOR
CC	DUAL CAP CAPACITOR <td>EQUIPMENT GROUND </td>	EQUIPMENT GROUND
DFM	HIGH PRESSURE CONTROL <td>INDOOR BLOWER CAPACITOR </td>	INDOOR BLOWER CAPACITOR
PL1	INDOOR BLOWER MOTOR <td>INDOOR BLOWER RELAY </td>	INDOOR BLOWER RELAY
TBL	LOW AMBIENT CONTROL <td>LOCK OUT RELAY </td>	LOCK OUT RELAY
TR	LOW PRESSURE BYPASS <td></td>	
LAC		
LOR		
LPH		

▲ LABELLED WIRES CONNECT IF NO OPTIONS USED. ▲ WIRE RED WIRE TO 200V TAP FOR 200V OPERATION

FACTORY STD.	FIELD	OPTIONAL
HIGH VOLTAGE	---	---
LOW VOLTAGE	---	---
ACCESSORY	---	---

BLACK	BROWN	RED	ORANGE	Y	G	B	W	V	GREEN	YELLOW	ORANGE	WHITE	GRAY	SLATE	PURPLE	PINK	LAVENDER
BR	BR	R	O	Y	G	B	W	V	GRN	YEL	OR	WH	GRY	SLT	PUR	PNK	LAV

BARCO MFG. CO.
4063-126



COMPONENT CODE	DESCRIPTION
IC	COMPRESSOR CONTACTOR
DCP	COMPRESSOR
BCD	OW. CAP. CAPACITOR
BCN	EQUIPMENT GROUND
HC	HIGH PRESSURE CONTROL
HCN	INDOR BLDER MOTOR
HCN	INDOR BLDER RELAY
LAC	INDOR AMBENT CONTROL
LAR	INDOR OUT RELAY
LBR	LOW PRESSURE BYPASS
LTC	LOW PRESSURE CONTROL
DM	INDOR FAN MOTOR
RLS #1	RELEASERS
T	TERMINAL BLOCK
TR	LOW VOLTAGE TERMINAL BLOCK
TRB	TERMINAL BLOCK
TRC	LINE DELAY RELAY
TRT	TOP CAP. THERMOSTAT

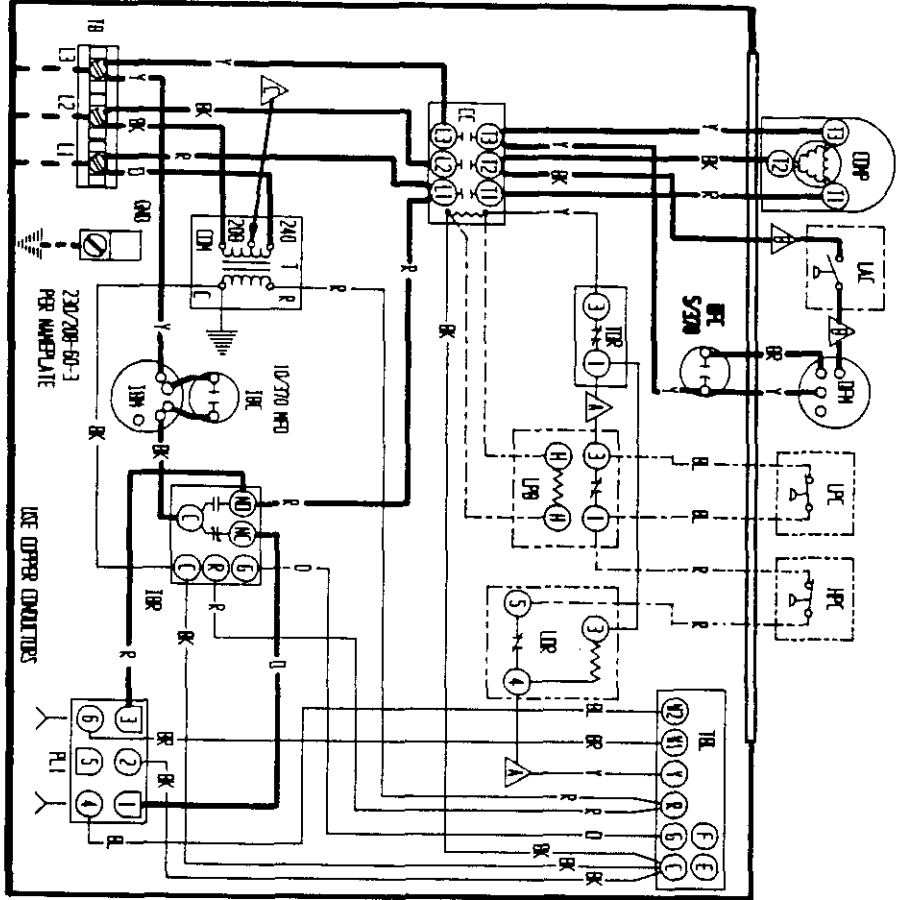
COMPONENT CODE	PART NO.	QTY.
355 370	652-048	P1130A1
355 440	652-049	P1130A1

▲ ▲ LABELS VISES CONNECT IF NO OPTIONS USED. ▲ WIRE RED VISE TO 200V 1P2 FOR 200V OPERATION

FACTORY STD.	FIELD	OPTIONAL
BLACK	BROWN	YELLOW
RED	RED	GREEN
BROWN	BL.	BLUE
ORANGE	W	WHITE
		(S)
		DATE
		1
		PINK
		UNBORN

4063-127

COMPONENT CODE	
IC	COMPRESSOR CONTACTOR
DCP	COMPRESSOR
OC	DUAL CAPACITOR
GD	EQUIPMENT GROUND
HPC	HIGH PRESSURE CONTROL
HC	INDOOR BLOWER MOTOR
IBR	INDOOR BLOWER RELAY
LC	LOW AMBIENT CONTROL
LDR	LOAD OUT RELAY
UPR	LOW PRESSURE SWITCH
UC	LOW PRESSURE CONTROL
UCF	LOW PRESSURE FAN CAPACITOR
UBH	OUTDOOR FAN MOTOR
UA1	PLATE #1
TB	TRANSFORMER
TBR	LOW VOLTAGE THERMAL BLACK TIME DELAY RELAY



⚠️ LABEL BY WIRES CONNECT IF NO OPTIONS USED

⚠️ HAVE RED WIRE TO 208V TAP FOR 208V OPERATION

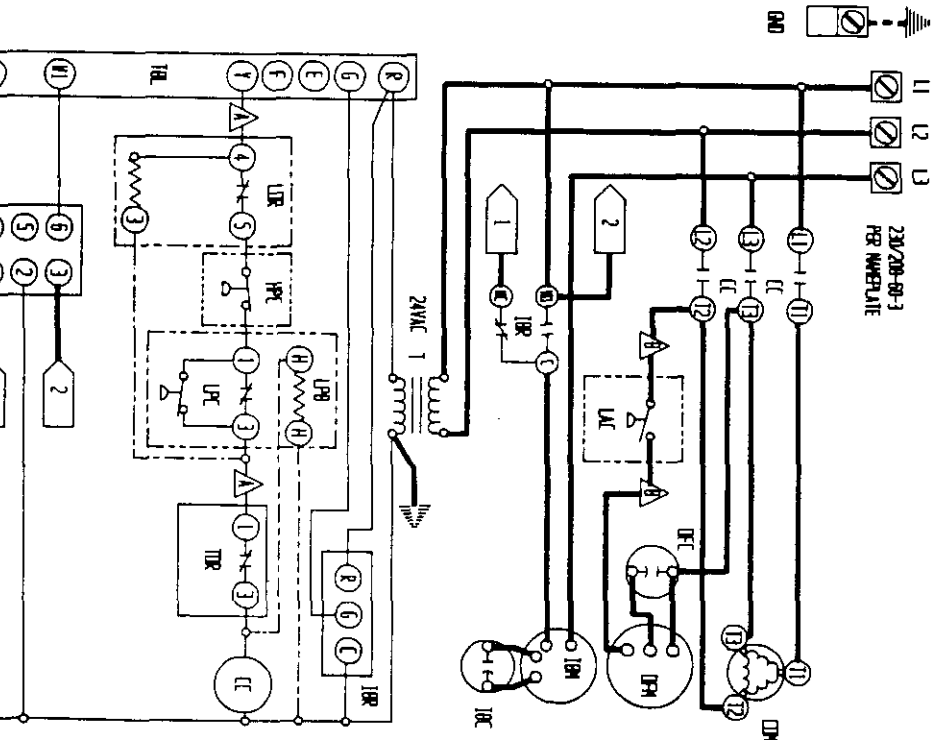
FACTORY STD.	FIELD	OPTIONAL
---	---	---
---	---	---
---	---	---

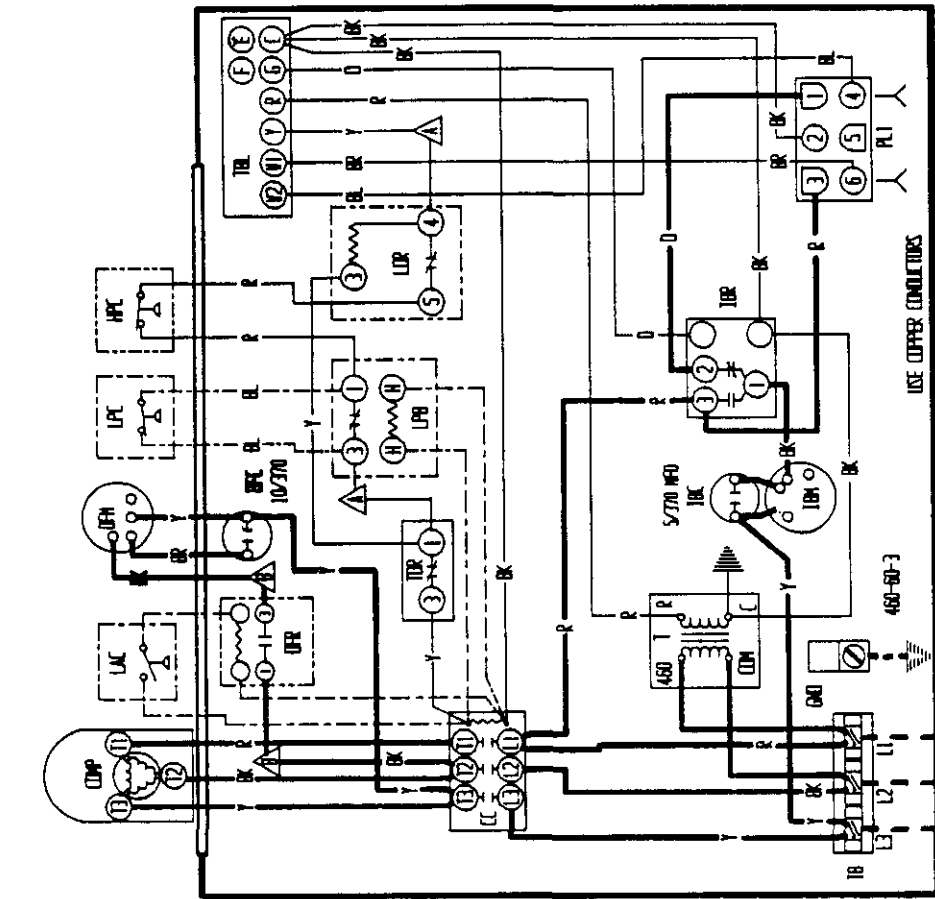
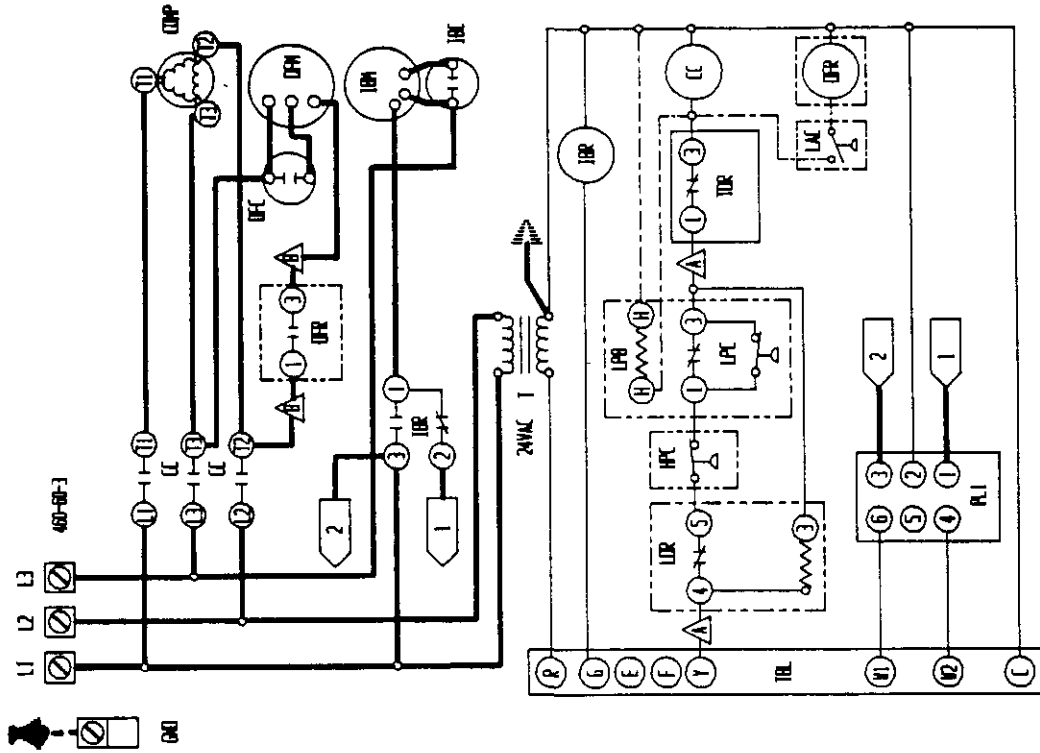
WIRE COLOR	TERMINAL	WIRE COLOR	TERMINAL
BLACK	1	YELLOW	4
BROWN	6	GREEN	5
RED	8	BLUE	2
ORANGE	9	WHITE	1

COLOR CODE	WIRE	TERMINAL
V	1	1
(FR)	1	1
GRN	1	1
SLT	1	1

WIRE	TERMINAL
1W	1
PK	1
LAV	1

BAIRD MFG. CO.
 DMC: 4053-213
 DUN: CB
 OK /RRR





COMPONENT CODE		
IFC	LOW PRESSURE CONTROL	
IFB	OUTDOOR FAN MOTOR	
IFH	OUTDOOR FAN RELAY	
P.L.I.	PLUG IN TRANSFORMER	
T	TERMINAL BLOCK	
TR	LOW VOLTAGE TERMINAL RELAY	
IB	COMPRESSOR CONTACTOR	
IC	COMPRESSOR	
UC	QUA. CAP. CAPACITOR	
EO	EQUIPMENT GROUND	
IFC	HIGH PRESSURE CONTROL	
IFB	INDOOR BLOWER MOTOR	
IFH	INDOOR BLOWER RELAY	
IFC	LOW AMBIENT CONTROL	
IFB	LOCK OUT RELAY	
IFH	LOW PRESSURE Bypass	

Labeled Wires Connect if no options used.			
BLACK	Y	YELLOW	V
BROWN	C	GREEN	(PR)
RED	BL	BLUE	GF
ORANGE	W	WHITE	(S)
			SLATE
			L
			PK
			TRK
			LANE
			PINK
			TRM

RAIRD MFG. CO.			
ONE	ONE	ONE	ONE
TWO	TWO	TWO	TWO
THREE	THREE	THREE	THREE
FOUR	FOUR	FOUR	FOUR

OPTIONAL	
HIGH VOLTAGE	---
LOW VOLTAGE	---
ACCESSORY	---

COMPONENT CODE	
IFC	LOW PRESSURE CONTROL
IFB	OUTDOOR FAN MOTOR
IFH	OUTDOOR FAN RELAY
P.L.I.	PLUG IN TRANSFORMER
T	TERMINAL BLOCK
TR	LOW VOLTAGE TERMINAL RELAY
IB	COMPRESSOR CONTACTOR
IC	COMPRESSOR
UC	QUA. CAP. CAPACITOR
EO	EQUIPMENT GROUND
IFC	HIGH PRESSURE CONTROL
IFB	INDOOR BLOWER MOTOR
IFH	INDOOR BLOWER RELAY
IFC	LOW AMBIENT CONTROL
IFB	LOCK OUT RELAY
IFH	LOW PRESSURE Bypass

