

INSTALLATION INSTRUCTIONS

WALL MOUNTED PACKAGE AIR CONDITIONERS

MODELS

30WA6

36WA6

501935

MANUAL 2100-142 REV. C
SUPERSEDES REV. B
FILE VOL. III, TAB 16

COPYRIGHT APRIL, 1989
BARD MANUFACTURING COMPANY
BRYAN, OHIO

501976

INDEX

Important	2
Shipping Damage	2
General	2
Installation	2
Duct Work	2
Filter	2
Fresh Air Intake	3
Wall Mounting	3
Wiring--Main Power	3
Fan Blade Setting Dimensions	4
Refrigerant Charge	4
Pressure Service Ports	5
Important Installer Note	5
Crankcase Heaters	5

INDEX OF FIGURES AND TABLES

Figure 1	1
Figure 2	4
Figure 3	5
Figure 4	6
Figure 5	5

Table 1	1
Table 2	4
Table 3	4
Table 4	5
Table 5	8

ELECTRICAL SPECIFICATIONS

TABLE 1

Model	Rated Volts & Phase	① Max. Unit Amps @ 240/208V	"N" VERSION (STD MODELS LESS CIRCUIT BREAKERS)						"C" VERSIONS (WITH CIRCUIT BREAKERS)								
			No. Field Power Circuit	Internal Fuses (CKTA)	① Max. Ext. Fuse or Circuit Breaker	Minimum Circuit Ampacity	② Field Power Wire Size	② Ground Wire Size	No. Field Power Ckts.	① Max Ext. Fuse or Circuit Breaker		Minimum Circuit Ampacity		② Field Power Wire Size		② Ground Wire Size	
										CktA	CktB	CktA	CktB	CktA	CktB	CktA	CktB
30WA6-A00*	230/208	16.2/17.2	1	--	35	23	10	10	1	35	--	23	--	10	--	10	--
05*	1	23.0/20.3	1	--	35	29	10	10	1	35	--	29	--	10	--	10	--
08*		35.5/31	1	--	45	45	6	10	1	45	--	45	--	6	--	10	--
10*		43.8/38.4	1	--	60	55	4	10	1	60	--	55	--	4	--	10	--
15*		64.7/56.3	1	60/30	90	81	3	8	2	60	30	55	26	4	8	10	10
30WA6-B00*	230/208	15.4/15.4	1	--	30	19	12	10	1	30	--	19	--	12	--	10	--
09*	3	23.9/20.9	1	--	30	30	10	10	1	30	--	30	--	10	--	10	--
36WA6-A00*	230/208	20.7/24.2	1	--	45	30	10	10	1	45	--	30	--	10	--	10	--
05*	1	23.0/24.2	1	--	45	30	10	10	1	45	--	30	--	10	--	10	--
08*		35.5/31	1	--	45	45	6	10	1	45	--	45	--	6	--	10	--
10*		43.8/38.4	1	--	60	55	6	10	1	60	--	55	--	6	--	10	--
15*		64.7/56.3	1	60/30	90	81	3	8	2	60	30	55	26	4	10	10	10
36WA6-B00*	230/208	17.7/16.7	1	--	35	22	10	10	1	35	--	22	--	10	--	10	--
06*	3	17.7/16.7	1	--	35	22	10	10	1	35	--	22	--	10	--	10	--
09*		23.9/20.9	1	--	35	30	10	10	1	35	--	30	--	10	--	10	--
12*		31.1/27.2	1	--	40	40	8	10	1	40	--	40	--	8	--	10	--
15*		38.4/33.4	1	--	50	48	6	10	1	50	--	48	--	6	--	10	--
36WA6-C00*	460	9.5	1	--	15	15	14	14	1	15	--	15	--	14	--	14	--
09*	3	11.9	1	--	15	15	14	14	1	15	--	15	--	14	--	14	--
15*		19.1	1	--	25	24	10	10	1	25	--	24	--	10	--	10	--

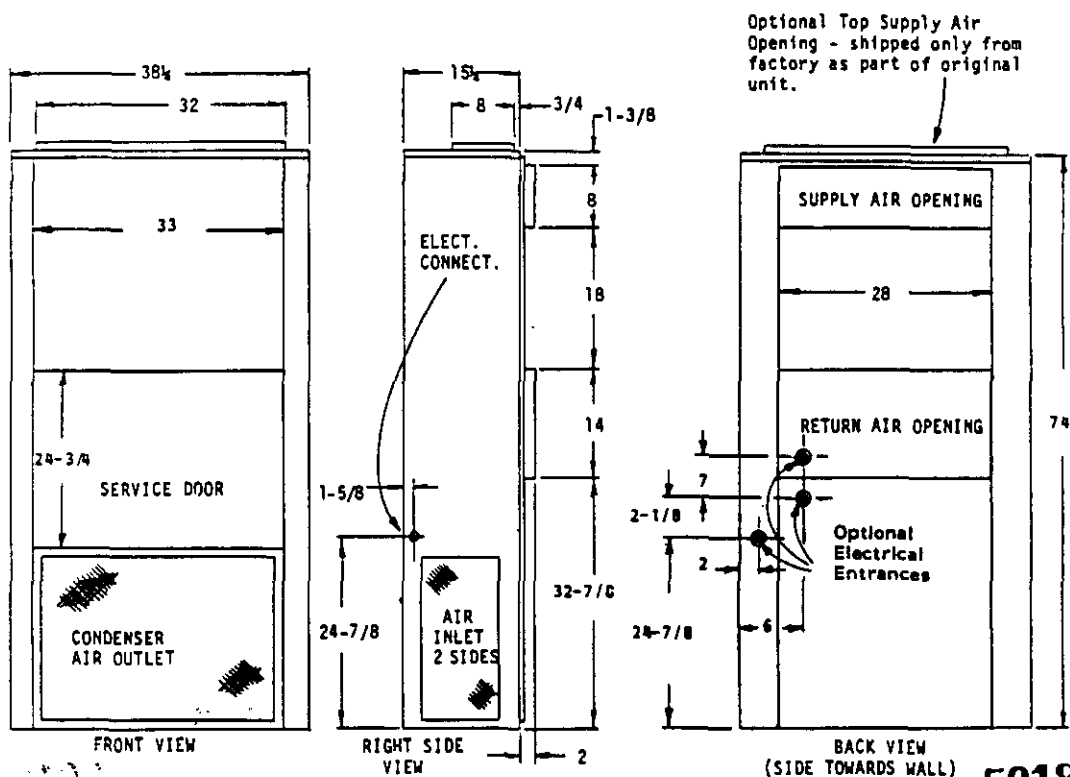
* - N for standard models (less circuit breakers).

- C for models with circuit breakers.

① Maximum size of the time delay fuse or HACR type circuit breaker for protection of field wiring conductors. (Sizes 70 amp or greater are not HACR type).

② Based on 60 degree C copper wire.

FIGURE 1



501939

IMPORTANT

The equipment covered in this manual is to be installed by trained, experienced service and installation technicians. Any heat pump is more critical of proper operating, charge and an adequate duct system than a straight air conditioning unit. All duct work supply and return, must be properly sized for the design air flow requirement of the equipment. ACCA is an excellent guide to proper sizing. All duct work or portions thereof not in the conditioned space should be properly insulated in order to both conserve energy and prevent condensation or moisture damage.

SHIPPING DAMAGE

Upon receipt of equipment, the carton should be checked for external signs of shipping damage. If damage is found, the receiving party must contact the last carrier immediately, preferably in writing, requesting inspection by the carrier's agent.

GENERAL

The refrigerant system is completely assembled and charged. All internal wiring is complete.

The unit is designed for use with or without duct work. Flanges are provided for attaching the supply and return ducts.

These instructions explain the recommended method to install the air cooled self-contained unit and the electrical wiring connections to the unit.

These instructions and any instructions packaged with any separate equipment required to make up the entire air conditioning system should be carefully read before beginning the installation. Note particularly "Starting Procedure" and any tags and/or labels attached to the equipment.

While these instructions are intended as a general recommended guide, they do not supersede any national and/or local codes in any way. Authorities having jurisdiction should be consulted before the installation is made.

INSTALLATION

Size of unit for a proposed installation should be based on heat loss calculation made according to methods of Air Conditioning Contractors of America (ACCA). The air duct should be installed in accordance with the Standards of the National Fire Protection Association for the Installation of Air Conditioning and Ventilating systems of Other Than Residence Type, NFPA No. 90A, and Residence Type Warm Air Heating and Air Conditioning Systems, NFPA No. 90B. Where local regulations are at a variance with instructions, installer should adhere to local codes.

DUCT WORK

Design the duct work according to methods given by the Air Conditioning Contractors of America. When duct runs through unheated spaces, it should be insulated with a minimum of one inch of insulation. Use insulation with a vapor barrier on the outside of the insulation. Flexible joints should be used to connect the duct work to the equipment in order to keep the noise transmission to a minimum.

A one-inch clearance to combustible material for the first three feet of duct attached to the outlet air frame is required see page 7 for further details.

FILTER

A one inch throwaway filter is supplied with each unit. The filter slides into position making it easy to service. This filter can be serviced from the outside by removing the service door.

FRESH AIR INTAKE

All units are built with a fresh air inlet hole punched in the service panel. The fresh air damper assembly is shipped with each unit, and must be attached at the installation site. See Figure 4 for typical installation procedure.

The fresh air damper assembly is standard equipment with the unit because of the variety of state or local codes requiring fresh air capability.

All capacity, efficiency and cost of operation information as required for Department of Energy "Energyguide" Fact Sheets is based upon the fresh air blank-off plate in place and is recommended for maximum energy efficiency.

The blank-off plate is available upon request from the factory and is installed in place of the fresh air damper shipped with each unit.

WALL MOUNTING

1. Two holes, for the supply and return air openings must be cut through the wall as shown in Figure 5.
2. On wood-frame walls, the wall construction must be strong and rigid enough to carry the weight of the unit without transmitting any unit vibration. **WARNING:** Fire hazard can result if one inch clearance to combustible material for supply air duct is not maintained. See Figure 5.
3. Concrete block walls must be thoroughly inspected to insure that they are capable of carrying the weight of the installing unit.
4. Ducts through the walls must be insulated and all joints taped or sealed to prevent air or moisture entering the wall cavity.
5. Some installations may not require any return air duct. It is recommended that on this type of installation that a filter grille be located in the wall. Filters must be of sufficient size to allow a maximum velocity of 400 FPM.

NOTE: If no return air duct is used, applicable installation codes may limit this cabinet to installation only in a single story structure.

WIRING--MAIN POWER

Refer to the unit rating plate for wire sizing information and maximum fuse or "BACR Type" circuit breaker size. Each outdoor unit is marked with a "Minimum Circuit Ampacity". This means that the field wiring used must be sized to carry that amount of current. Depending on the installed KW of electric heat, there may be two field power circuits required. If this is the case, the unit serial plate will so indicate. Some models are suitable only for connection with copper wire, while others can be wired with either copper or aluminum wire. Each unit and/or wiring diagram will be marked "Use Copper Conductors Only" or "Use Copper or Aluminum Conductors." These instructions **MUST BE** adhered to. Refer to the National Electrical Code for complete current carrying capacity data on the various insulation grades of wiring material.

The electrical data lists fuse and wire sizes (60 degree C copper) for all models, including the most commonly used heater sizes. Also shown are the number of field power circuits required for the various models with heaters.

The unit rating plate lists a "Maximum Time Delay Relay Fuse" or "BACR Type" circuit breaker that is to be used with the equipment. The correct size must be used for proper circuit protection and also to assure that there will be no nuisance tripping due to the momentary high starting current of the compressor motor.

Field conduit connections must be to the control box and not terminate at the cabinet.

FAN BLADE SETTING DIMENSIONS

Shown in the drawing below are the correct fan blade setting dimensions for proper air delivery across the outdoor coil.

Any service work requiring removal or adjustment in the fan and/or motor area will require that the dimensions below be checked and the blade adjusted in or out on the motor shaft accordingly.

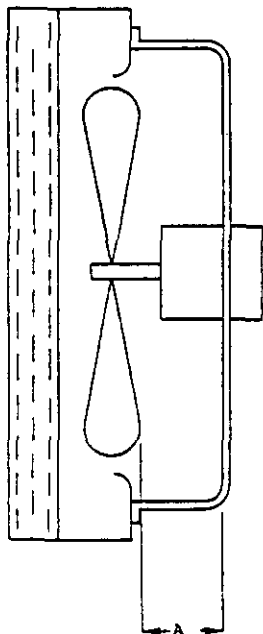


FIGURE 2

Model	Dimension A
30WA6	1/2
36WA6	3/4

REFRIGERANT CHARGE

The correct system R-22 charge is shown on the unit rating plate. Optimum unit performance will occur with a refrigerant charge resulting in a suction line temperature (6" from compressor) as shown in the following table:

TABLE 2

Model	Rated Airflow	95 Degree F OD Temperature	82 Degree F OD Temperature
30WA6	1140	56 - 58	66 - 68
36WA6	1185	44 - 47	57 - 59

The above suction line temperatures are based upon 80 degree F dry/bulb/67 degree F wet bulb (50 percent R.H.) temperature and rated airflow across the evaporator during cooling cycle.

TABLE 3
INDOOR BLOWER PERFORMANCE
*CFM--Dry Coil

E.S.P. Inches H2O	Models 30WA6-36WA6	
	Low	High
.0	970	1435
.1	925	1350
.2	900	1260
.3	---	1150
.4	---	1050
.5	---	940

501942

PRESSURE SERVICE PORTS

High and low pressure service ports are installed on all units so that the system operating pressures can be observed. Pressure curves can be found later in the manual covering all models on both cooling and heating cycles. It is imperative to match the correct pressure curve to the unit by model number.

TABLE 4

Model	Rated CFM*	Rated ESP*	Recommended Airflow Range
30WA6	1140	.17	930 - 1300
36WA6	1185	.15	930 - 1350

*Rated CFM and ESP on high speed tap.

IMPORTANT INSTALLER NOTE

For improved start-up performance, wash the indoor coil with a dishwasher detergent.

CRANKCASE HEATERS

All units are provided with some form of compressor crankcase heat. Some single phase units utilize the compressor motor start winding in series with a portion of the run capacitor to generate heat within the compressor shell to prevent liquid refrigerant migration.

Some three phase units utilize a wraparound type of crankcase heater that warms the compressor oil from the outside.

Some single and three phase models have an insertion well-type heater located in the lower section of the compressor housing. This is a self-regulating type heater that draws only enough power to maintain the compressor at a safe temperature.

Some form of crankcase heat is essential to prevent liquid refrigerant from migrating to the compressor, causing oil pump out on compressor start-up and possible valve failure due to compressing a liquid.

Refer to unit wiring diagram to find exact type of crankcase heater used.

The decal in Figure 3 is affixed to all outdoor units detailing start-up procedure. This is very important. Please read carefully.

FIGURE 3

IMPORTANT

THESE PROCEDURES MUST BE FOLLOWED AT INITIAL START-UP AND AT ANY TIME POWER HAS BEEN REMOVED FOR 12 HOURS OR LONGER.

TO PREVENT COMPRESSOR DAMAGE WHICH MAY RESULT FROM THE PRESENCE OF LIQUID REFRIGERANT IN THE COMPRESSOR CRANKCASE

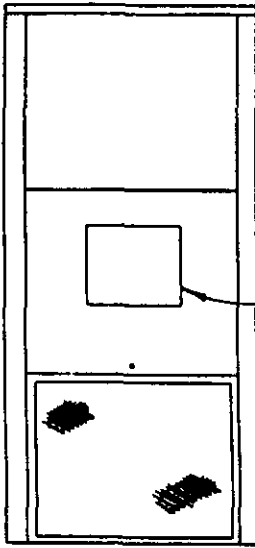
1. MAKE CERTAIN THE ROOM THERMOSTAT IS IN THE "OFF" POSITION. (THE COMPRESSOR IS NOT TO OPERATE).
2. APPLY POWER BY CLOSING THE SYSTEM DISCONNECT SWITCH THIS ENERGIZES THE COMPRESSOR HEATER WHICH EVAPORATES THE LIQUID REFRIGERANT IN THE CRANKCASE.
3. ALLOW 4 HOURS OR 60 MINUTES PER POUND OF REFRIGERANT IN THE SYSTEM AS NOTED ON THE UNIT RATING PLATE. WHICHEVER IS GREATER.
4. AFTER PROPERLY ELAPSED TIME THE THERMOSTAT MAY BE SET TO OPERATE THE COMPRESSOR.
5. EXCEPT AS REQUIRED FOR SAFETY WHILE SERVICING — DO NOT OPEN SYSTEM DISCONNECT SWITCH.

7961-061

FIGURE 4

UNIT MODELS

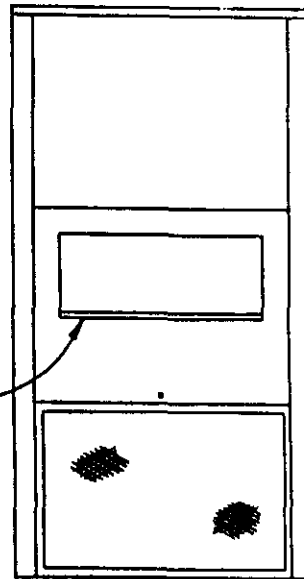
20WA
24WA
18WH
24WH



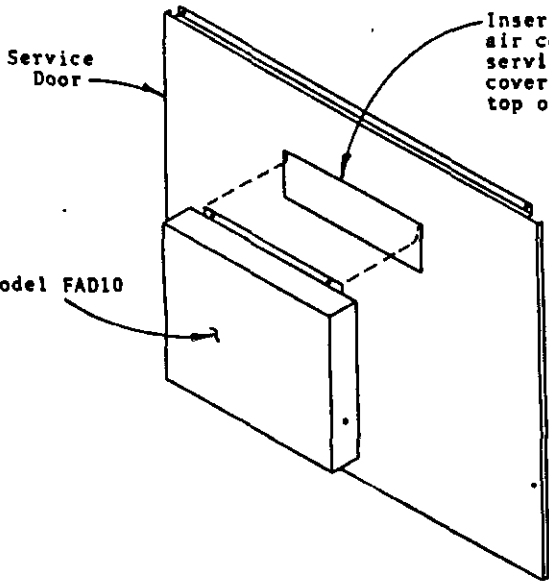
Model FAD10
Fresh Air Cover
With Adjustable
Damper

UNIT MODELS

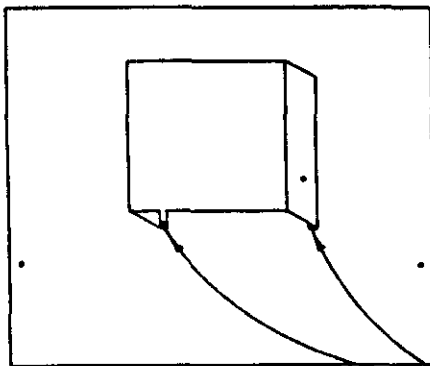
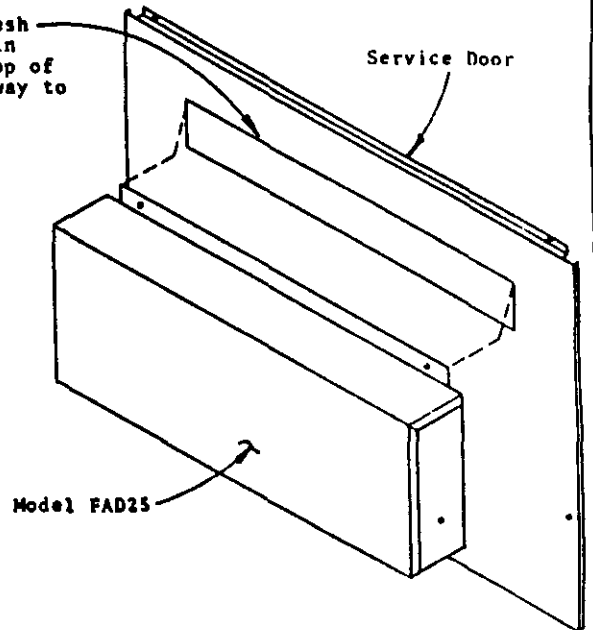
30WA
36WA
30WH
36WH
42WA
49WA
48WH
45WH
60WH
60WA



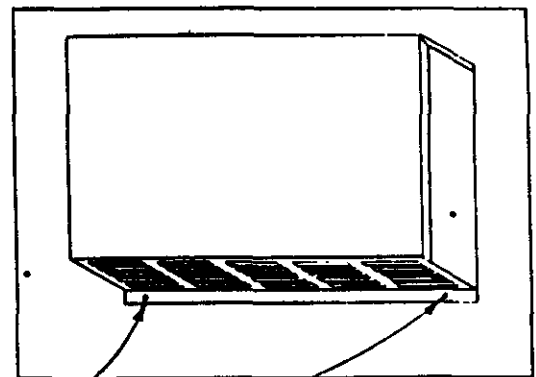
MODEL FAD25
Fresh Air Cover
With Adjustable
Damper



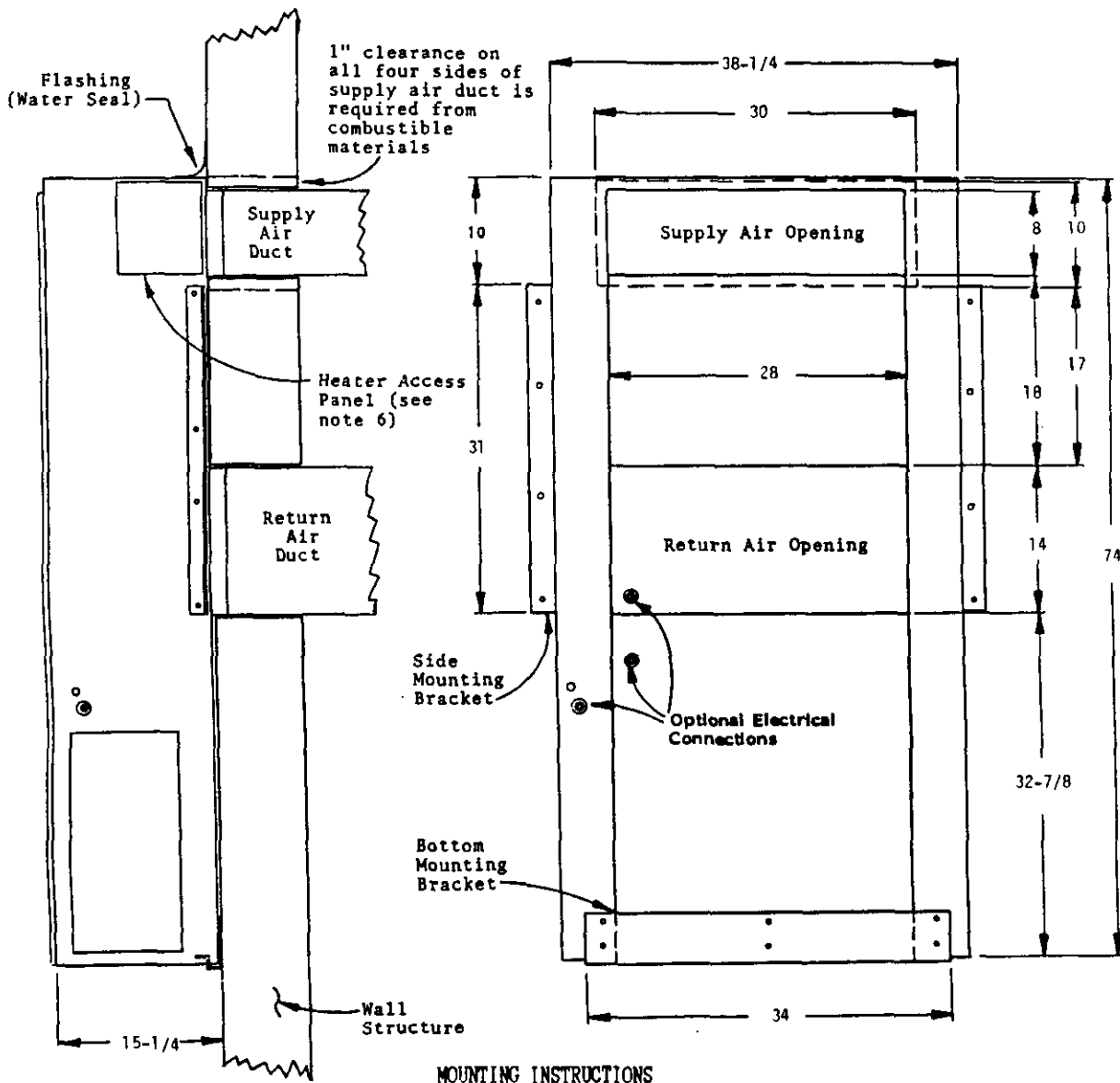
Insert top flange of fresh air cover into opening in service door and push top of cover assembly all the way to top of opening.



Secure bottom of Fresh Air Cover Assembly with two screws.



501944



MOUNTING INSTRUCTIONS

1. These units are secured by wall mounting brackets which secure the unit to the outside wall surface at both sides and at the bottom.
2. The unit itself is suitable for "0" inch clearance, but the supply air duct flange and the first three feet of supply air duct require 1 inch clearance to combustible material. If combustible wall, use 30" x 10" dimensions for sizing, if non-combustible, use 28" x 8" dimensions.
3. After the wall opening positions have been selected, lay out the position for the bottom and side brackets. Fasten the brackets securely to the wall (type of fasteners will depend on wall construction).
4. Be sure to observe the 10" dimension when attaching the side brackets. This will assure that no screws are driven into the unit sides damaging any internal parts. One-half inch sheet metal screws are recommended.
5. For additional mounting rigidity, the return air and supply air (depending upon wall construction) frames or collars can be drilled and screwed or welded to the structural wall itself. Be sure to observe required clearance if combustible wall.
6. Maintain 30 inches minimum clearance on right side of unit to allow access to heat strip and control panel.

WARNING: Failure to provide the one inch clearance for the first three feet between the supply duct and a combustible surface can result in fire.

COOLING

TABLE 5

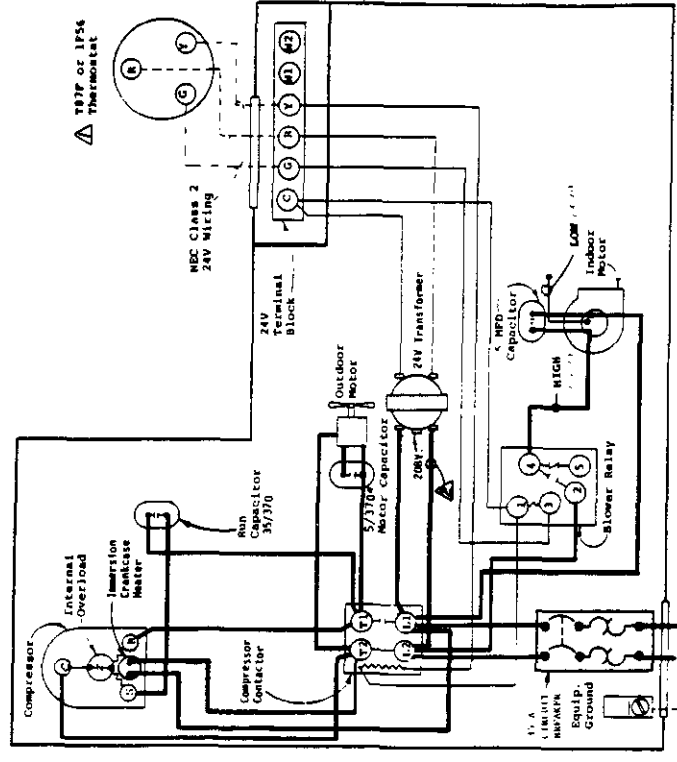
Air Temperature Entering Outdoor Coil Degree F

Model	Return Air Temperature	Pressure	°	°	°	°	°	°	°	°	°
			75	80	85	90	95	100	105	110	115
30WA6	75 deg. DB	Low Side	65	68	69	71	73	76	78	79	81
	62 deg. WB	High Side	206	221	238	255	271	287	304	320	336
	80 deg. DB	Low Side	69	73	74	76	78	81	83	85	87
	67 deg. WB	High Side	211	227	244	262	278	294	312	328	345
36WA6	85 deg. DB	Low Side	71	76	77	79	81	84	86	88	90
	72 deg. WB	High Side	227	244	262	282	299	316	335	353	371
	75 deg. DB	Low Side	61	63	65	66	68	70	73	74	76
	62 deg. WB	High Side	228	244	261	276	293	308	324	348	357
36WA6	80 deg. DB	Low Side	65	67	69	71	73	75	78	79	81
	67 deg. WB	High Side	234	250	268	283	300	316	332	357	366
	85 deg. DB	Low Side	67	69	71	73	76	78	81	82	84
	72 deg. WB	High Side	251	259	277	293	311	327	344	369	379

Low side pressure \pm 2 PSIG

High side pressure \pm 5 PSIG

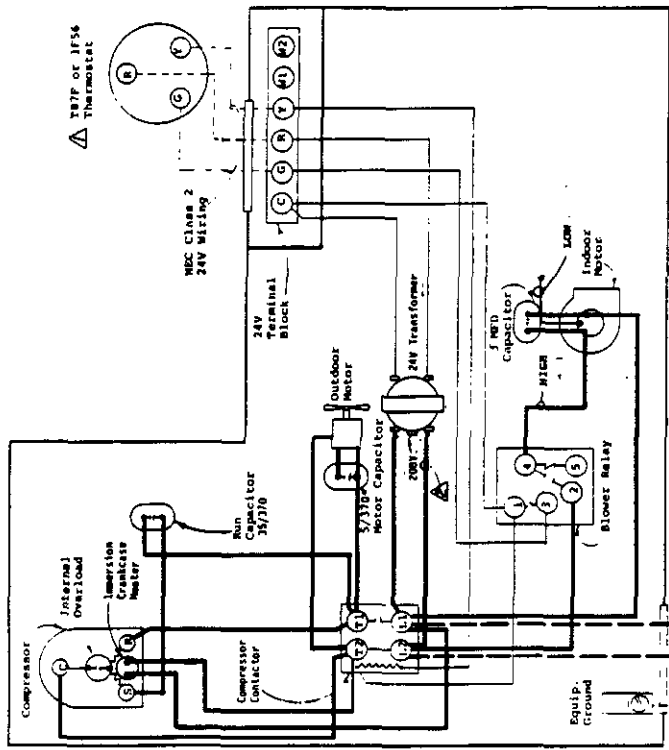
Tables are based upon rated CFM (airflow) across the evaporator coil and should be found under section titled "Refrigerant Charge" elsewhere in manual. If there is any doubt as to correct operating charge being in the system, the charge should be removed, system evacuated, and recharged to serial plate instructions.



See alternate thermostat sheet.
 Set heat anticipator at .40A.
 For 240V operation move this wire to 240V transformer tap.

USE COPPER OR ALUMINUM WIRE

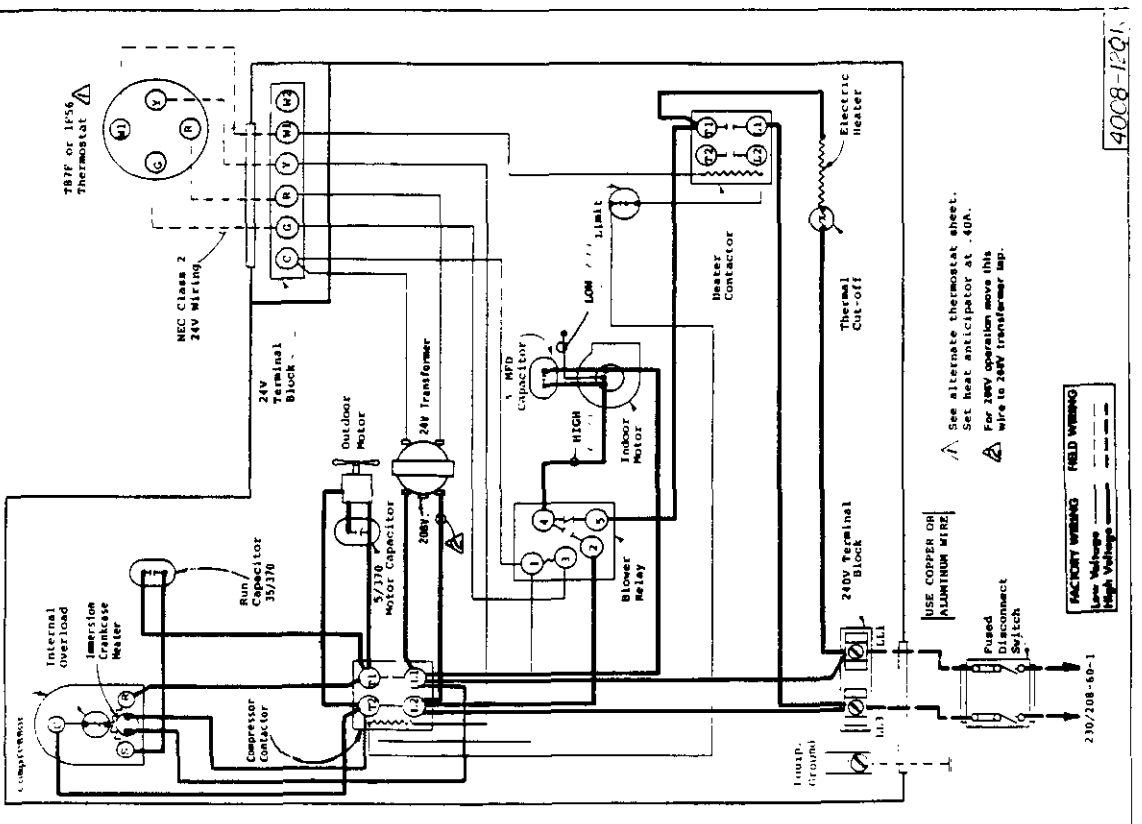
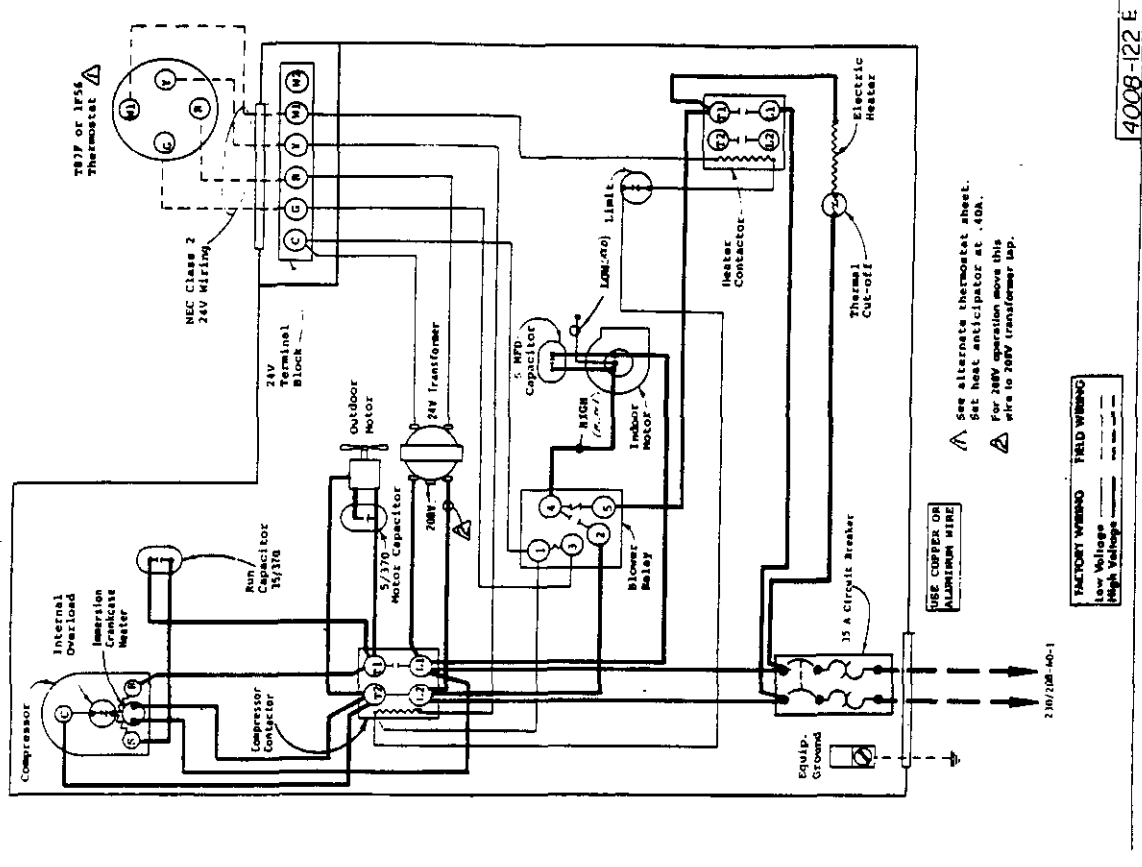
FACTORY WIRING	FIELD WIRING
Low Voltage	---
High Voltage	---



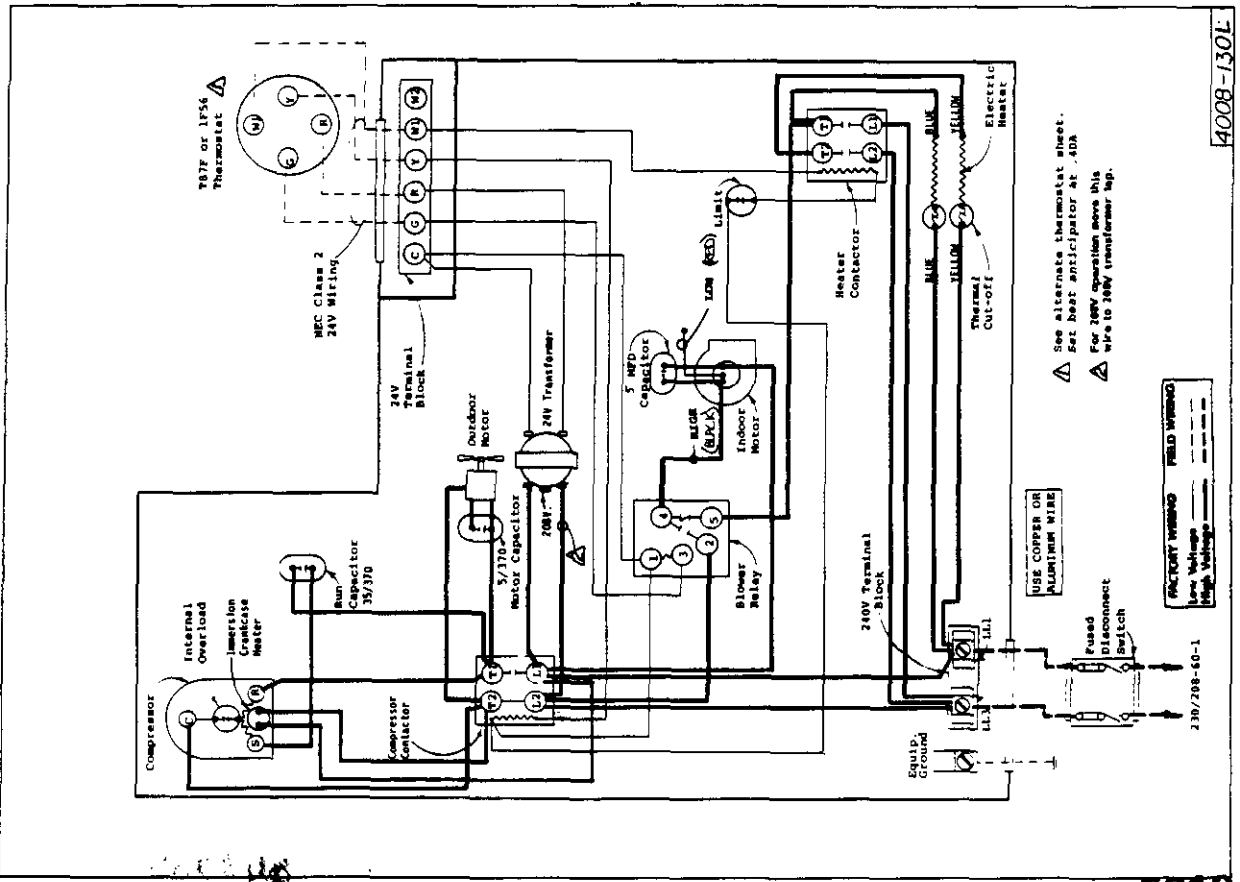
See alternate thermostat sheet.
 Set heat anticipator at .40A.
 For 240V operation move this wire to 240V transformer tap.

USE COPPER CONDUCTORS ONLY

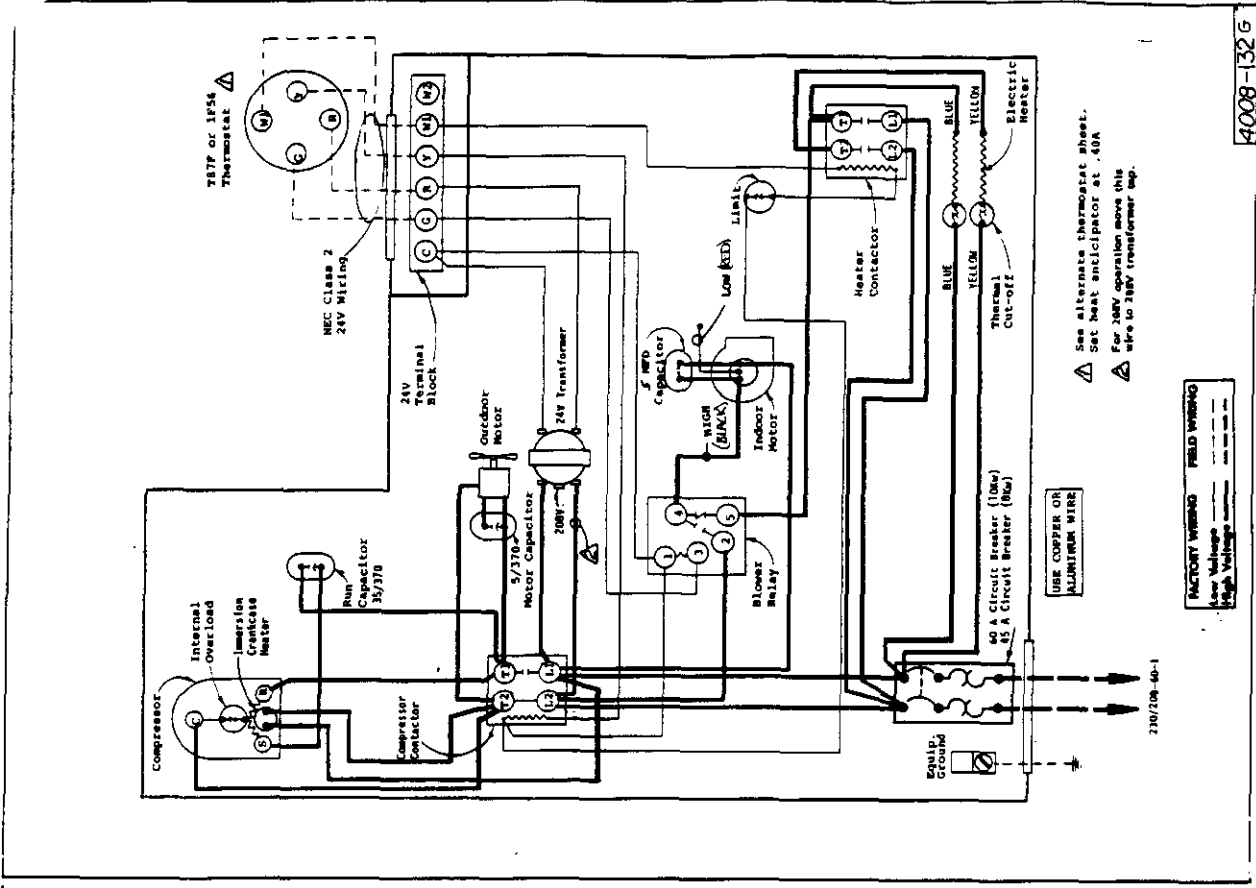
FACTORY WIRING	FIELD WIRING
Low Voltage	---
High Voltage	---



501948



4008-130L



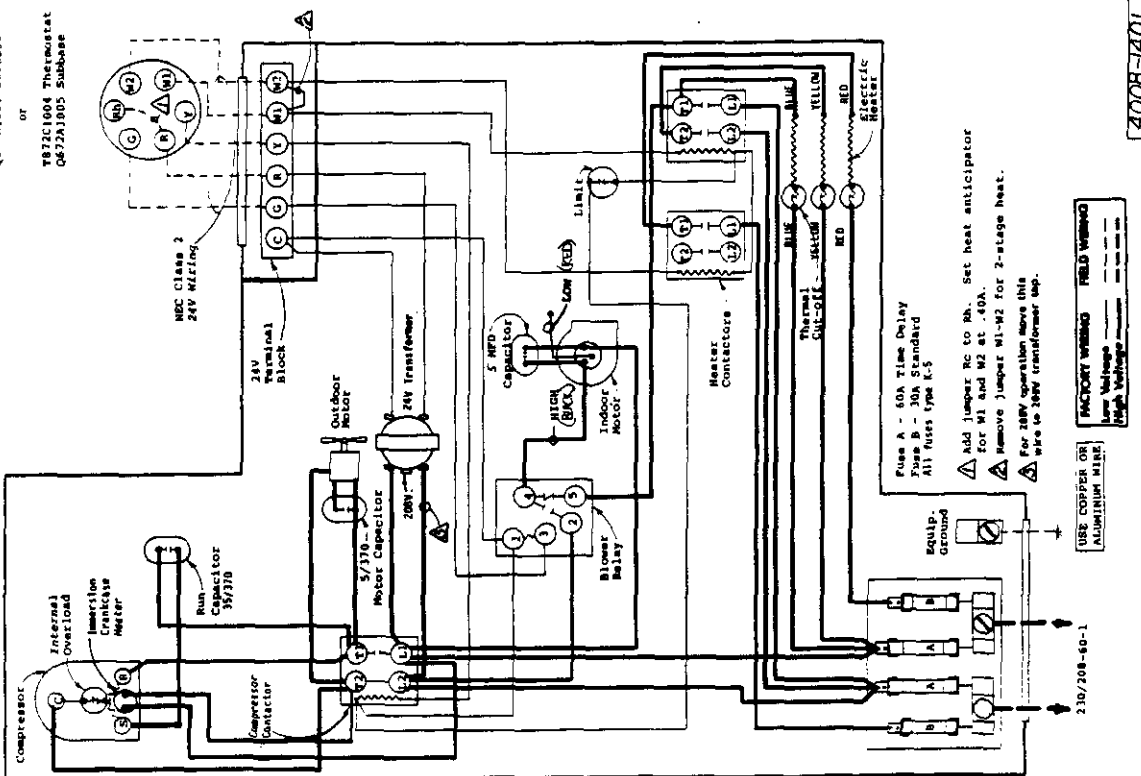
See alternate thermostat sheet.
Set heat anticipator at .40A

See alternate thermostat sheet.
Set heat anticipator at .40A

For 240V operation move this wire to 240V transformer tap.

4008-132G

T874C1000 Thermostat
Q674A1001 Subbase
or
T872C1004 Thermostat
Q672A1005 Subbase



Fuse B - 60A Time Delay
Fuses A - 30A Standard
All fuses type K-5

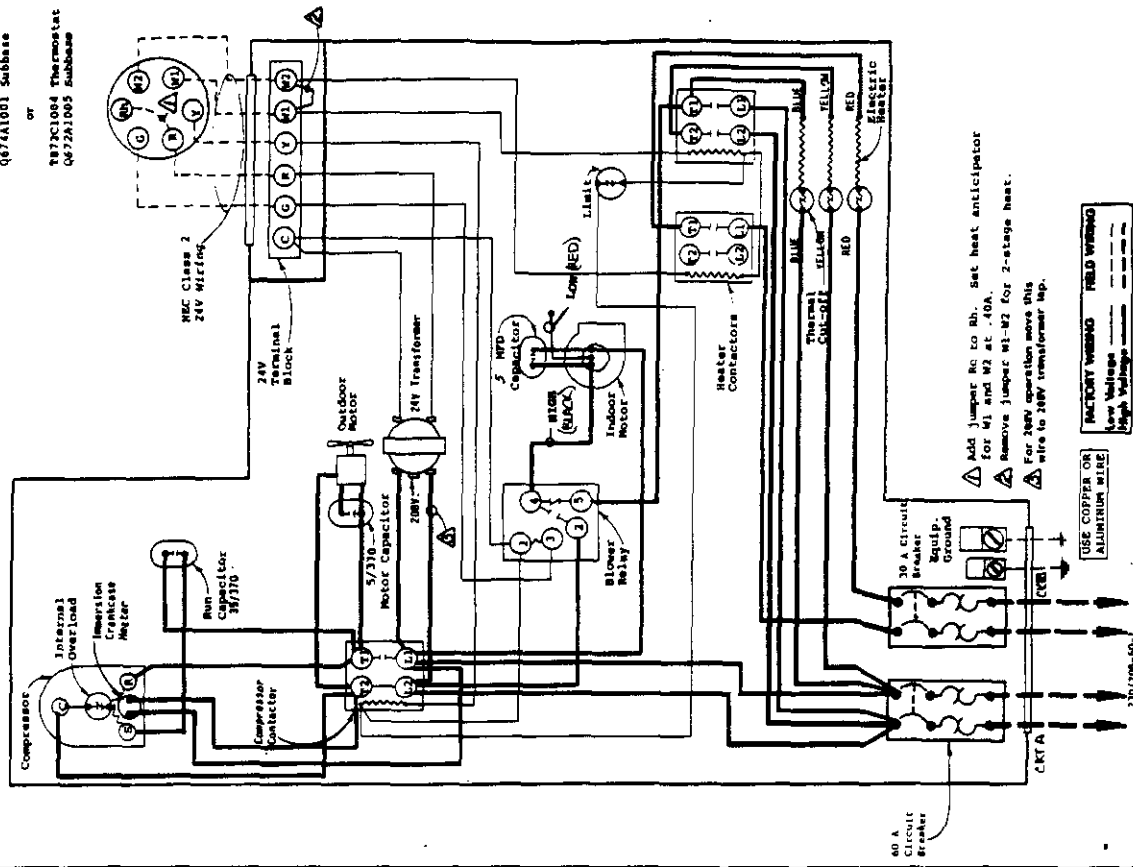
▲ Add jumper R6 to R8. Set heat anticipator for W1 and W2 at .40A.
▲ Remove jumper W1-W2 for 2-stage heat.
▲ For 208V operation move this wire to 208V transformer tap.

USE COPPER OR ALUMINUM WIRE

FACTORY WIRING	FIELD WIRING
Low Voltage	Low Voltage
High Voltage	High Voltage

230/208-60-1

T874C1000 Thermostat
Q674A1001 Subbase
or
T872C1004 Thermostat
Q672A1005 Subbase



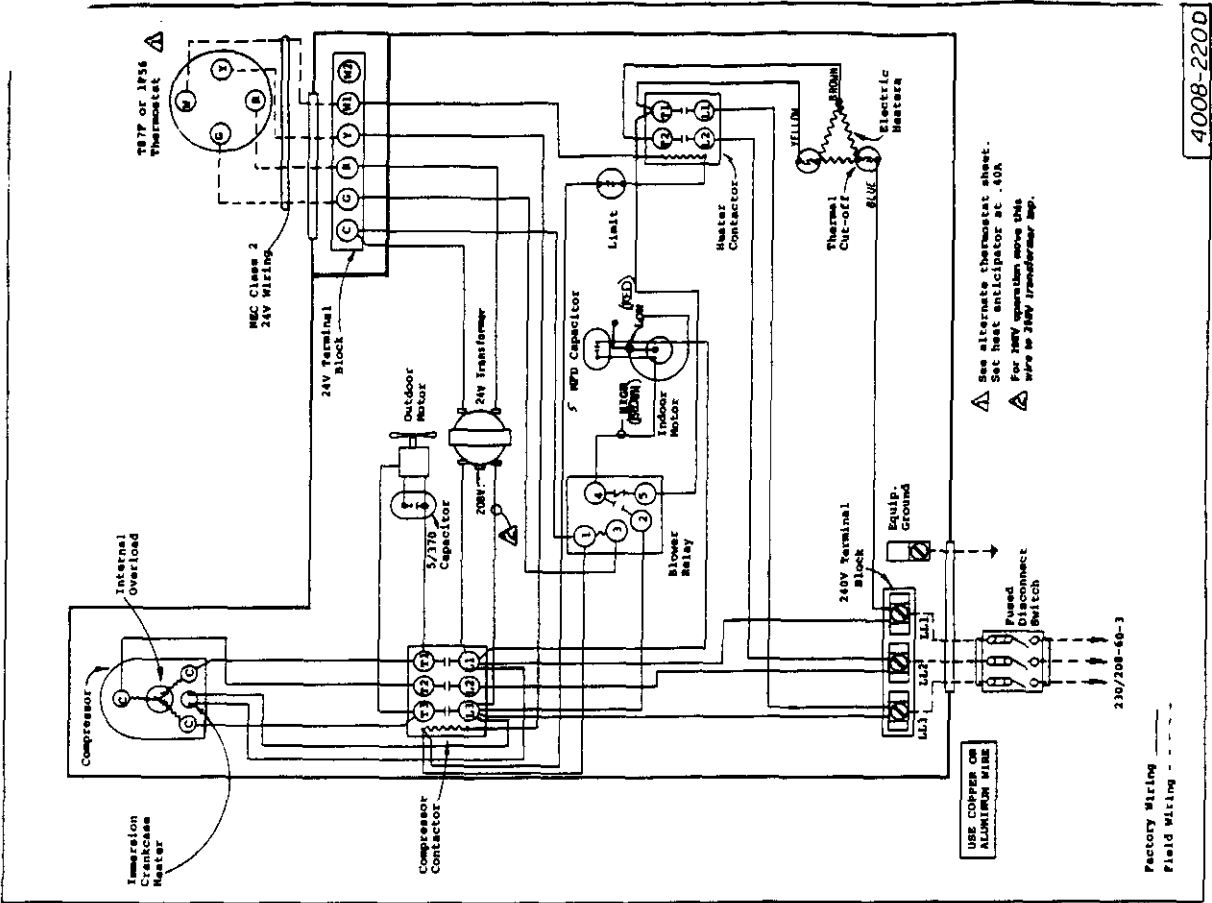
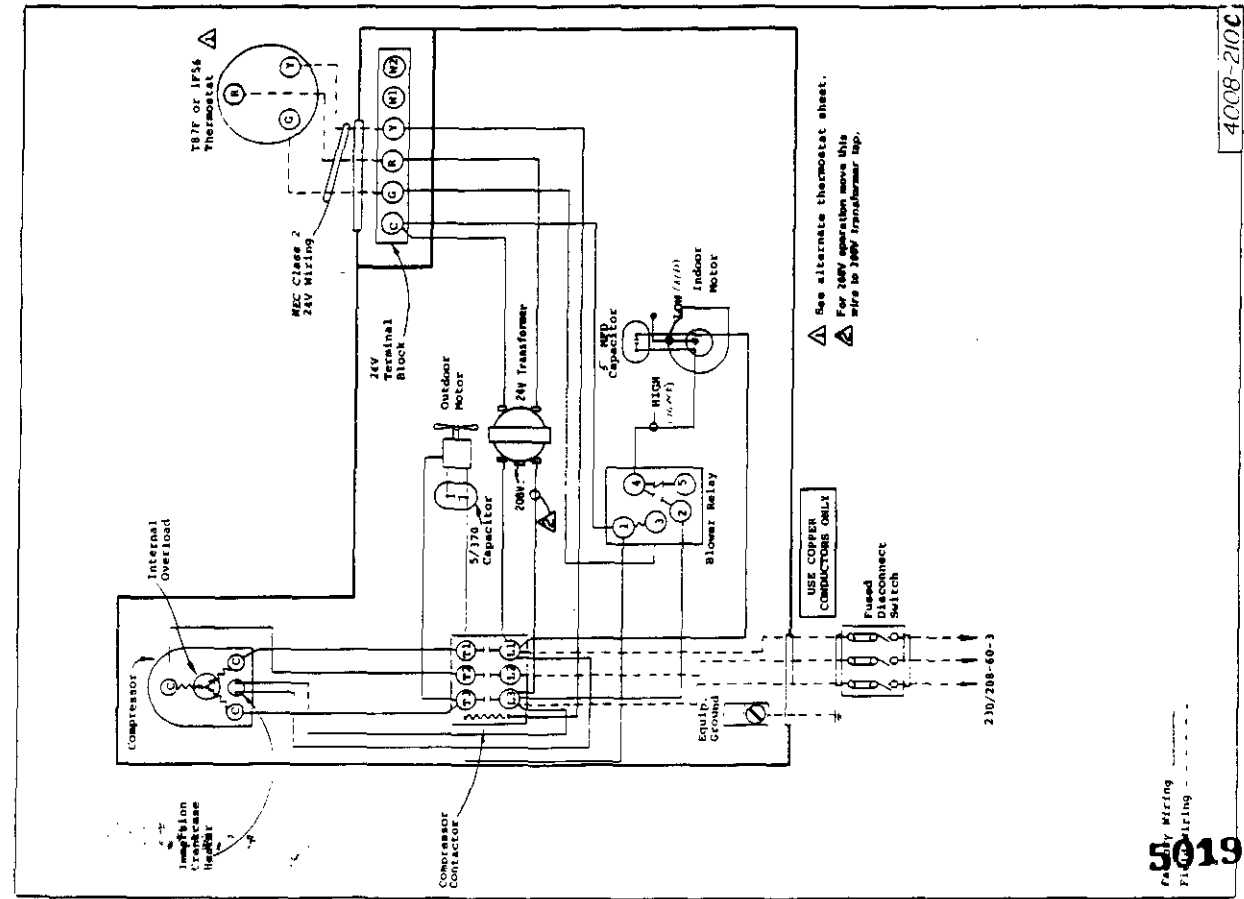
▲ Add jumper R6 to R8. Set heat anticipator for W1 and W2 at .40A.
▲ Remove jumper W1-W2 for 2-stage heat.
▲ For 208V operation move this wire to 208V transformer tap.

USE COPPER OR ALUMINUM WIRE

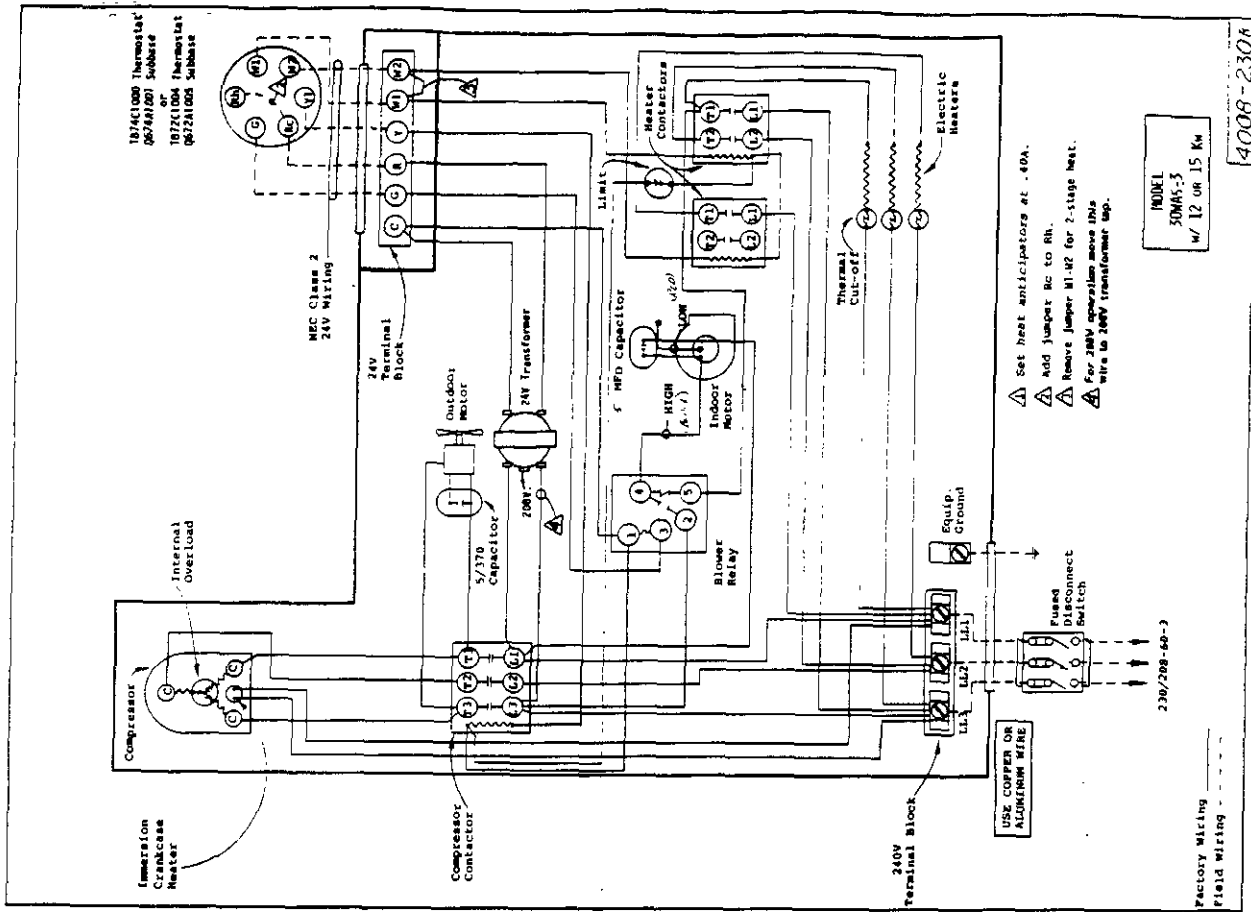
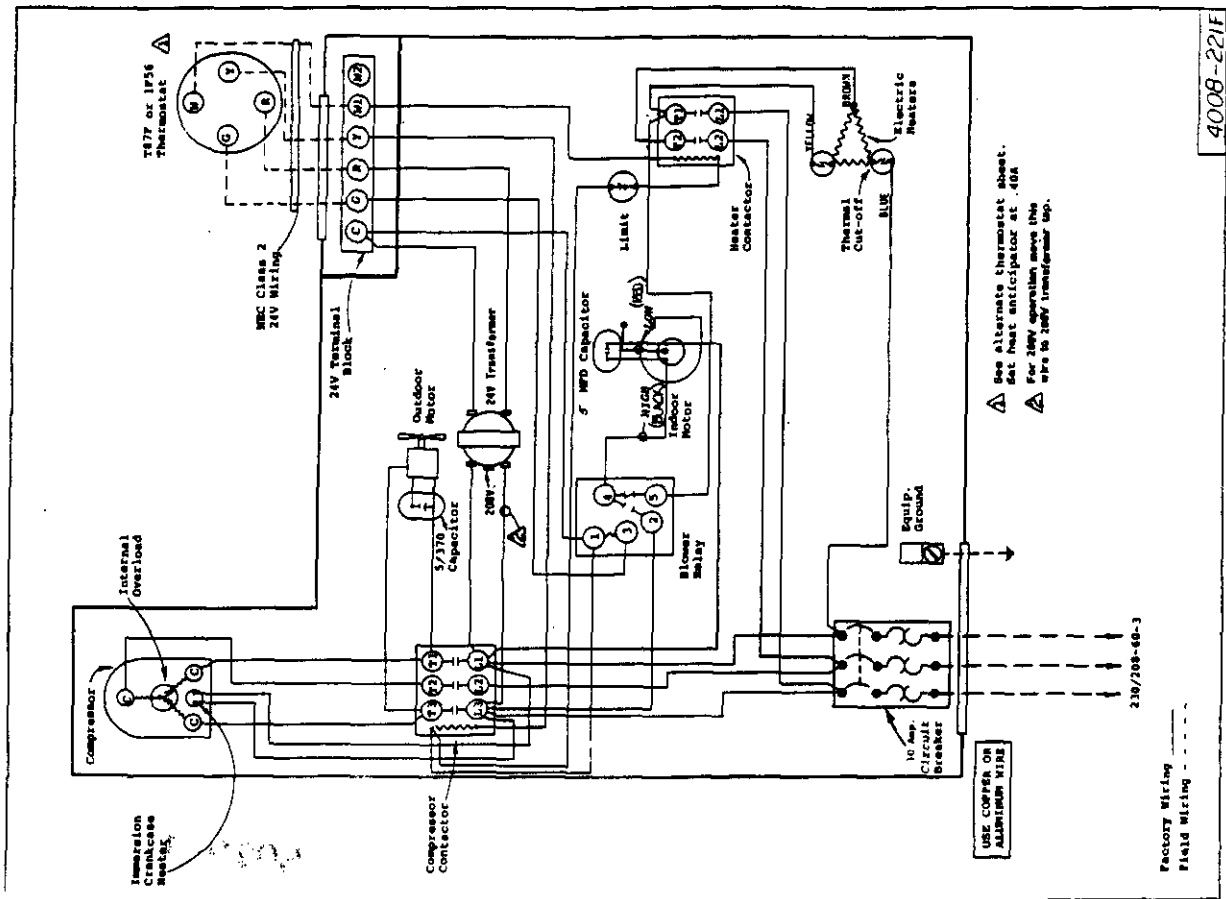
FACTORY WIRING	FIELD WIRING
Low Voltage	Low Voltage
High Voltage	High Voltage

230/208-60-1

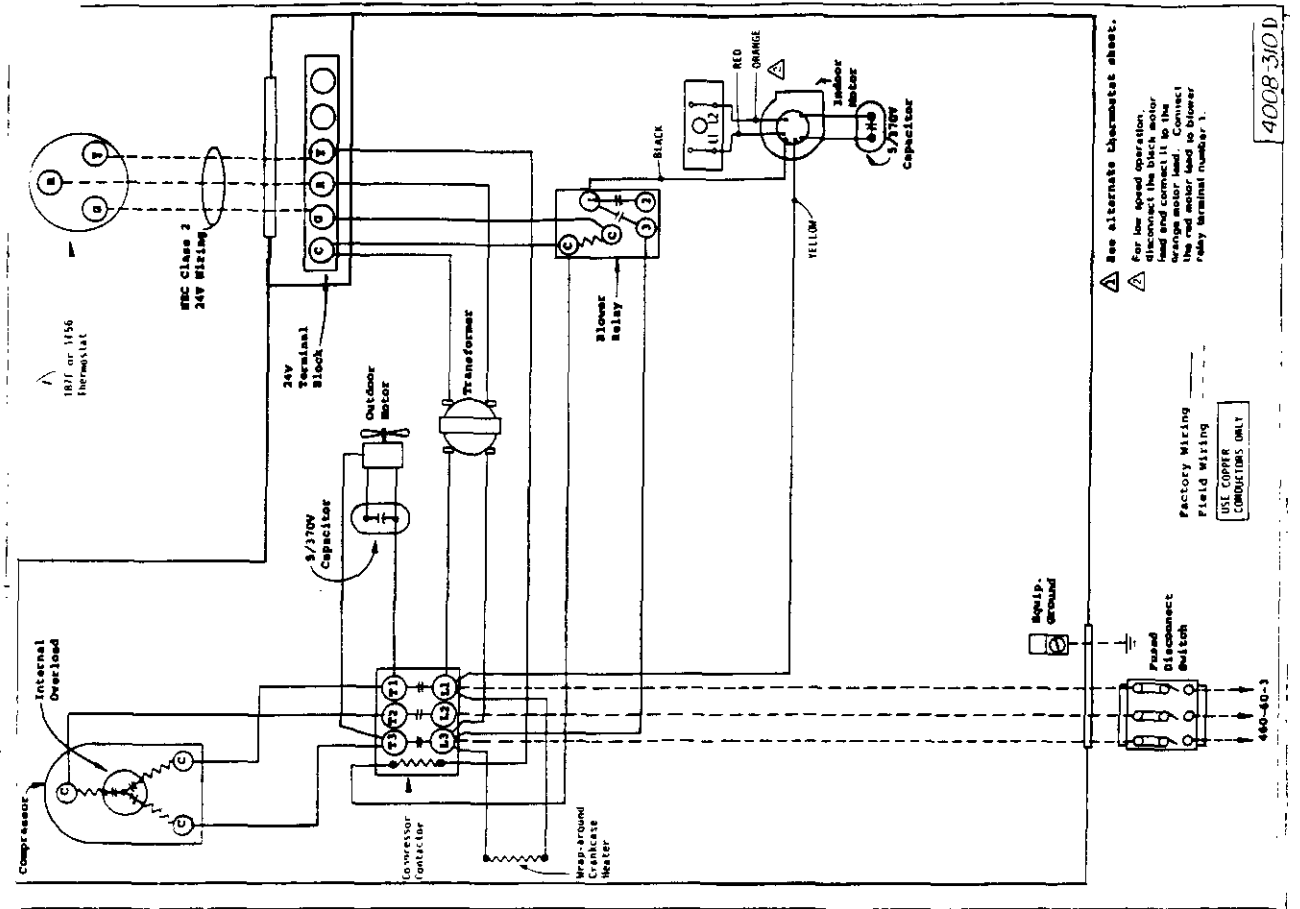
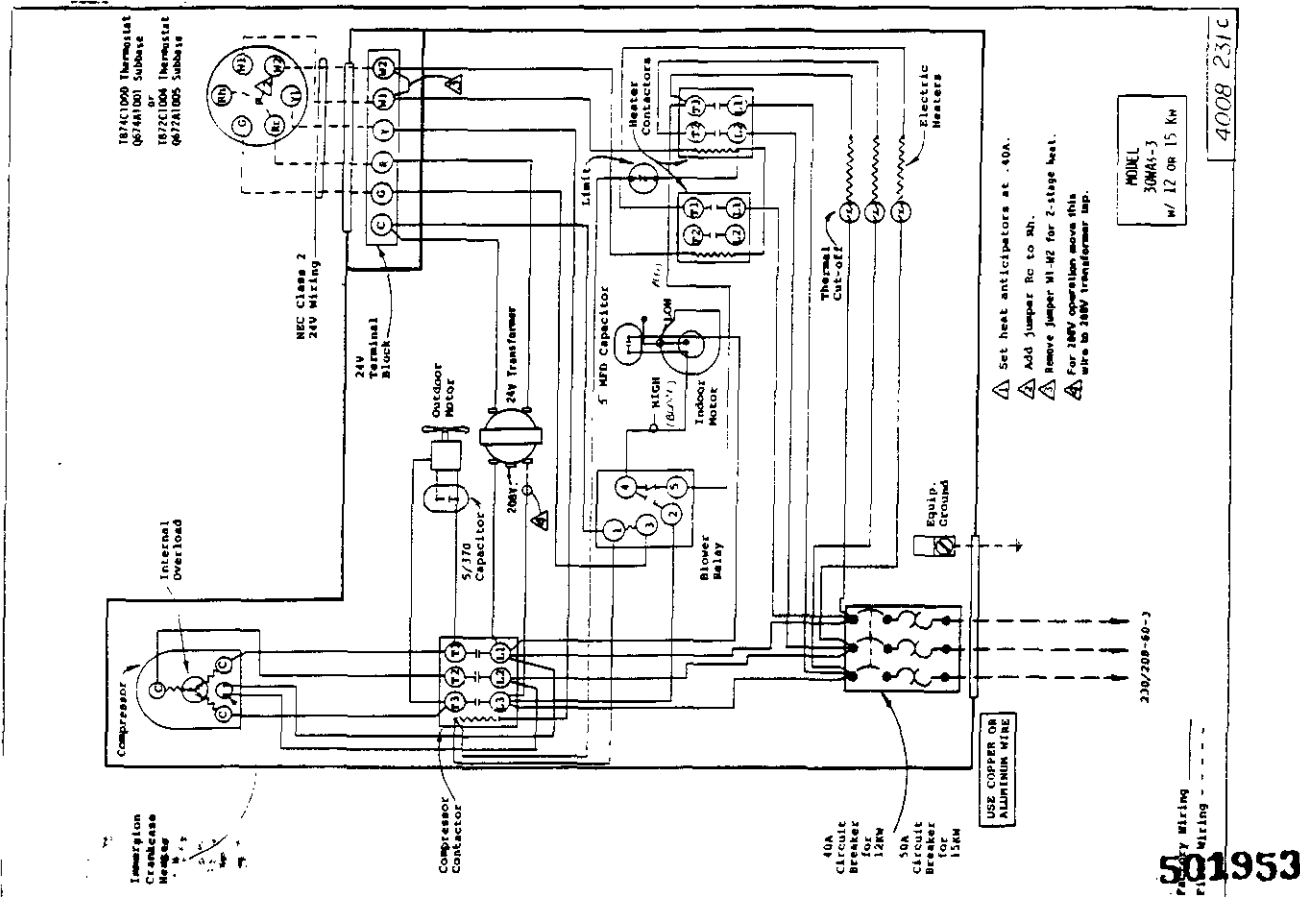
4008-42E



501951

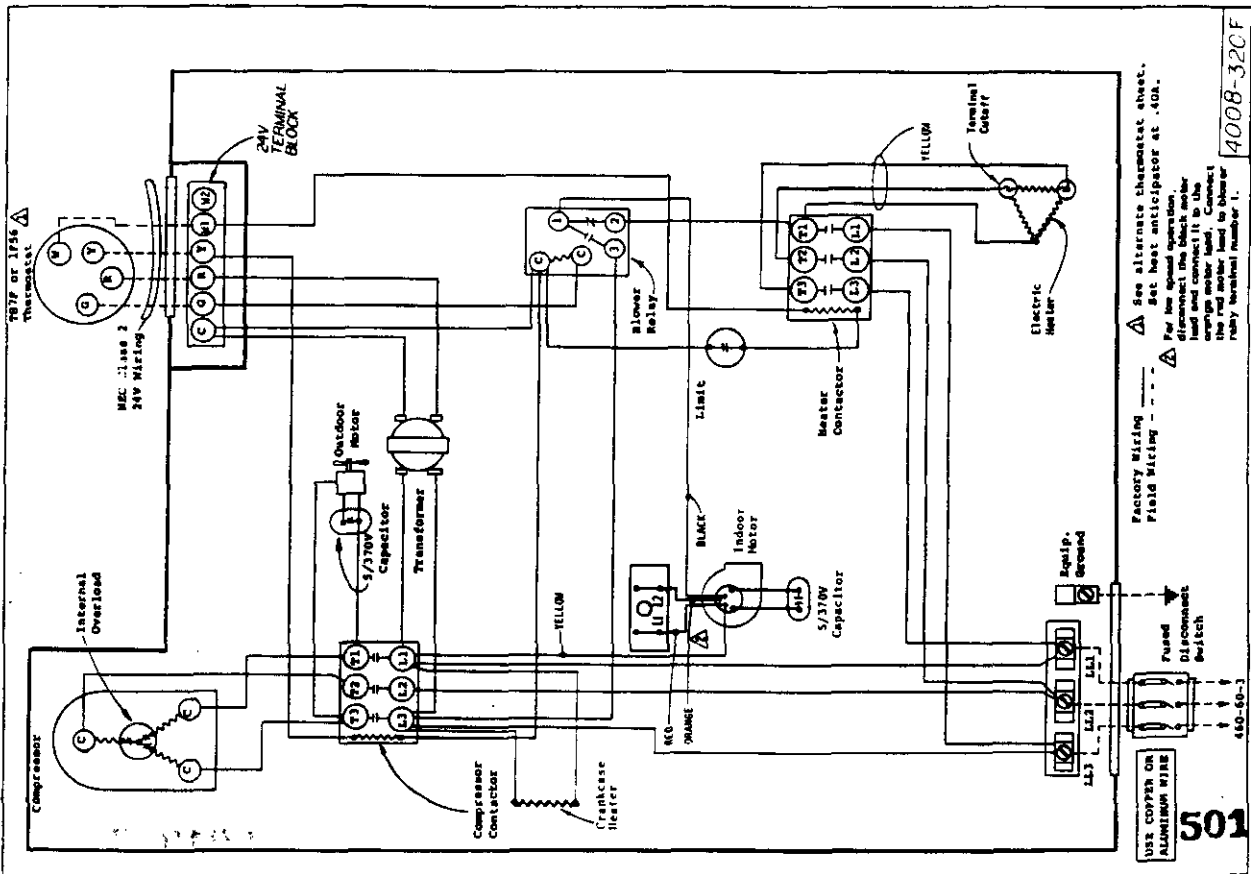


501952

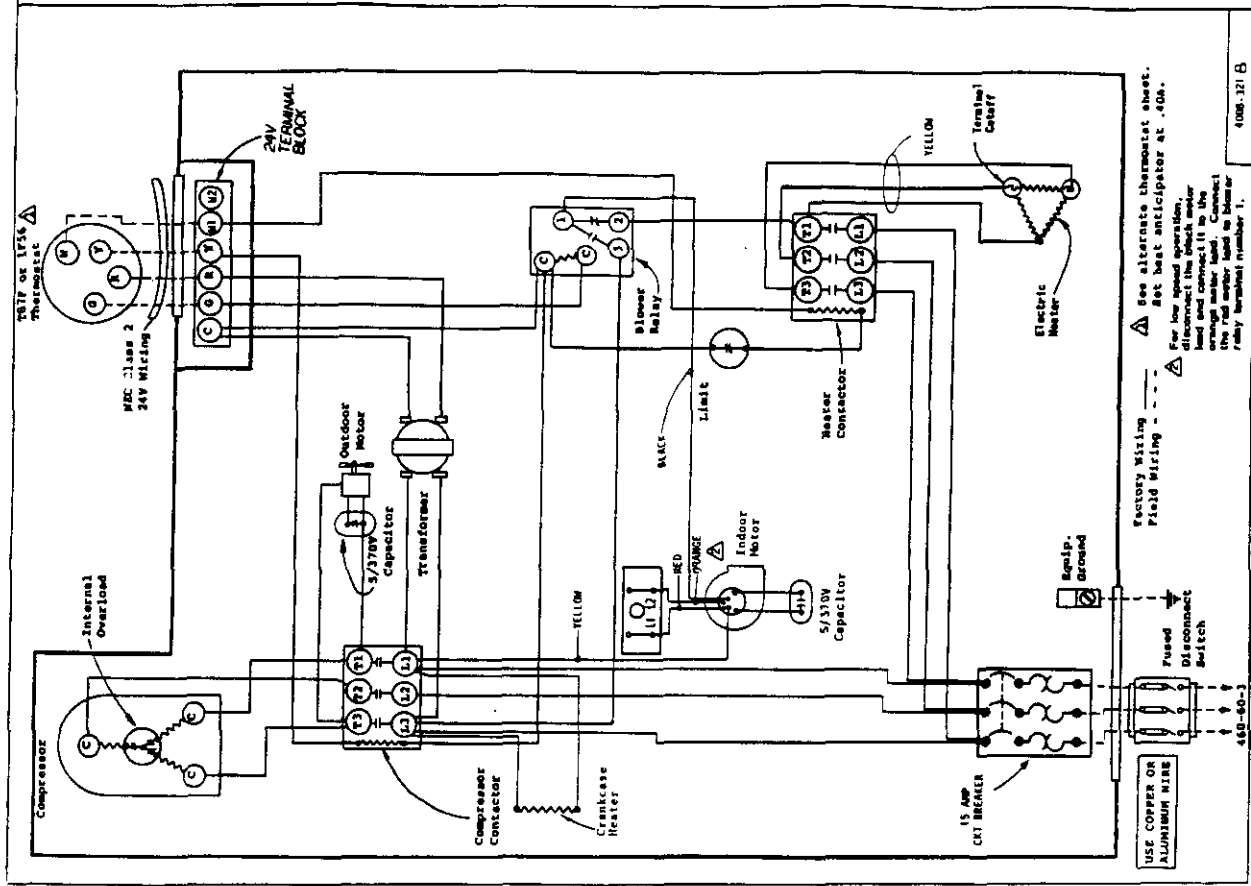


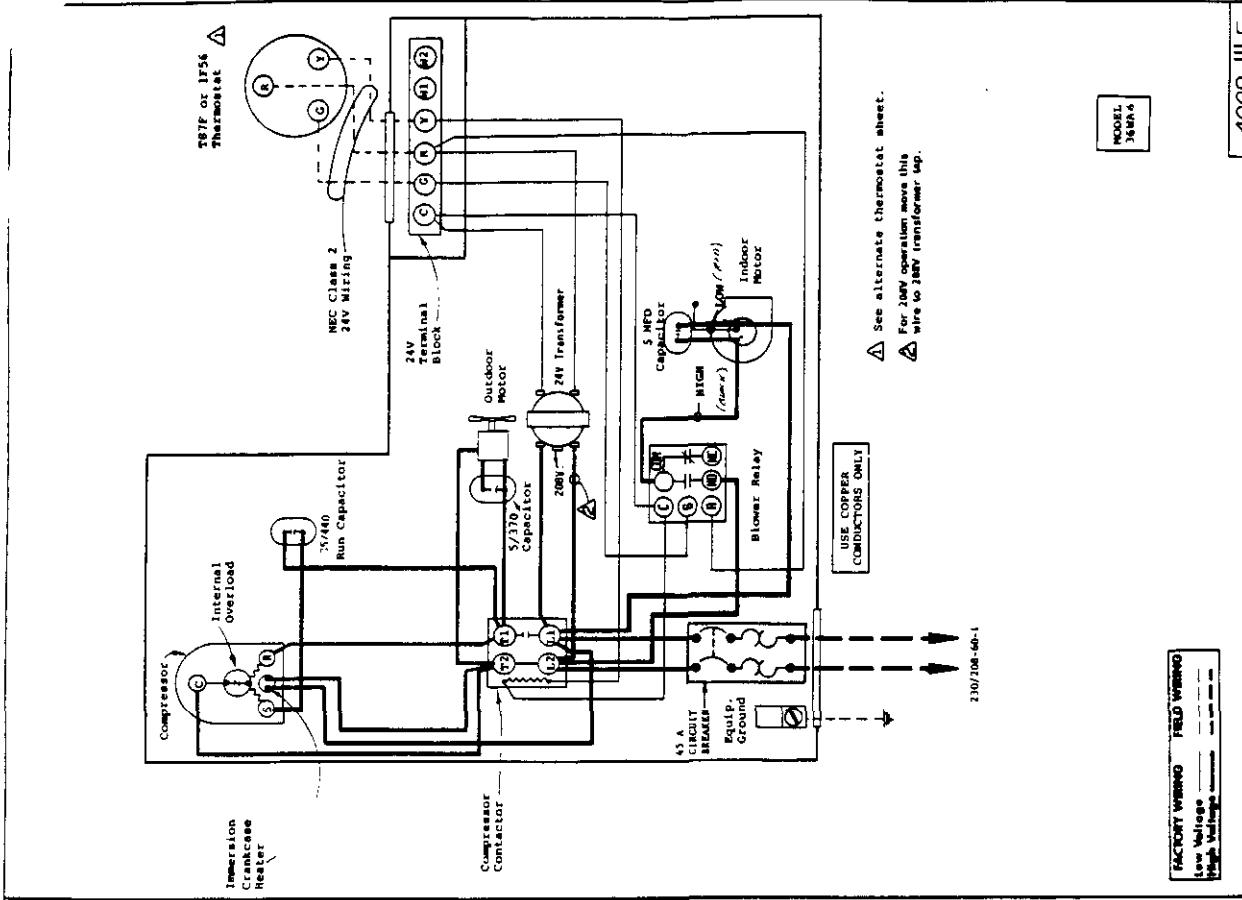
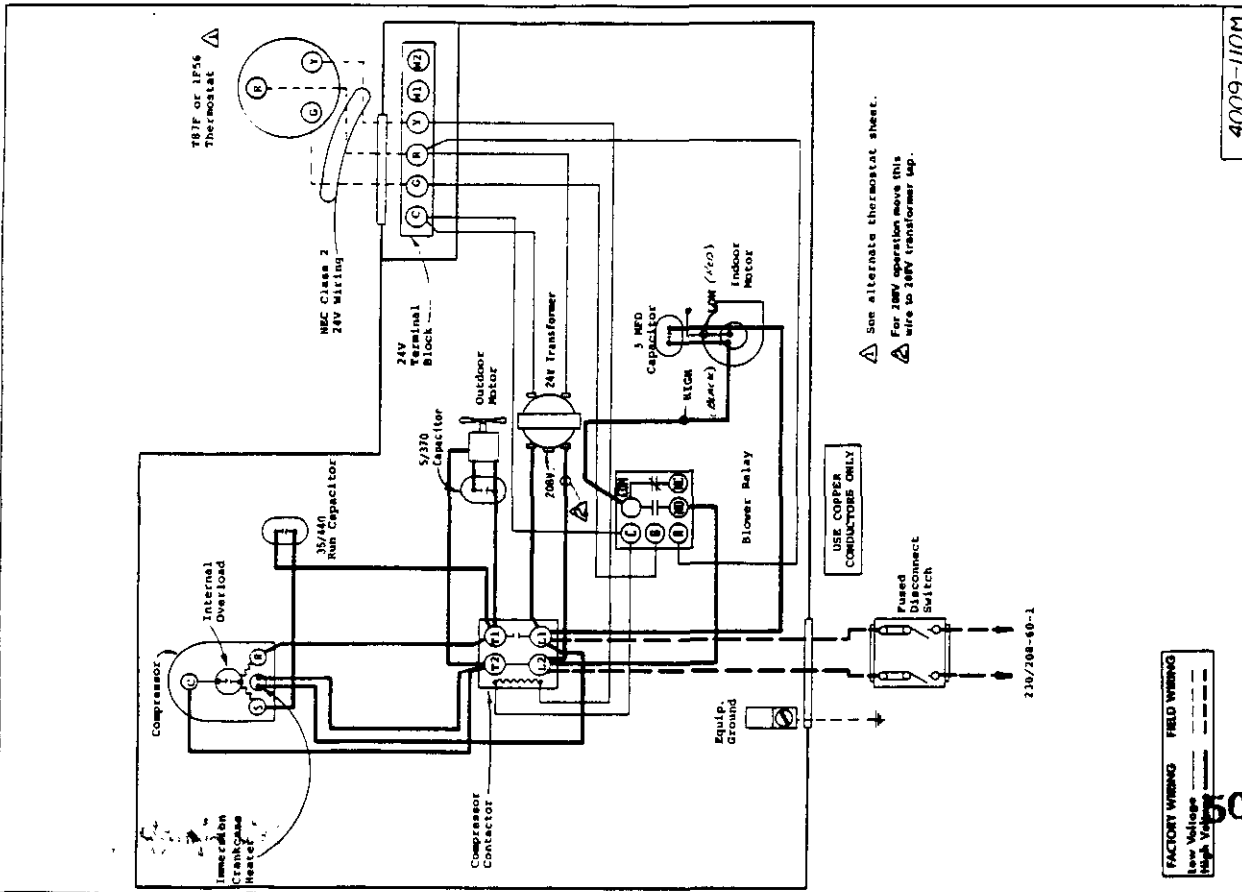
⚠ See alternate thermostat sheet.
 ⚠ For low speed operation, disconnect the black motor lead and connect it to the end motor lead to blower relay terminal number 1.

501953

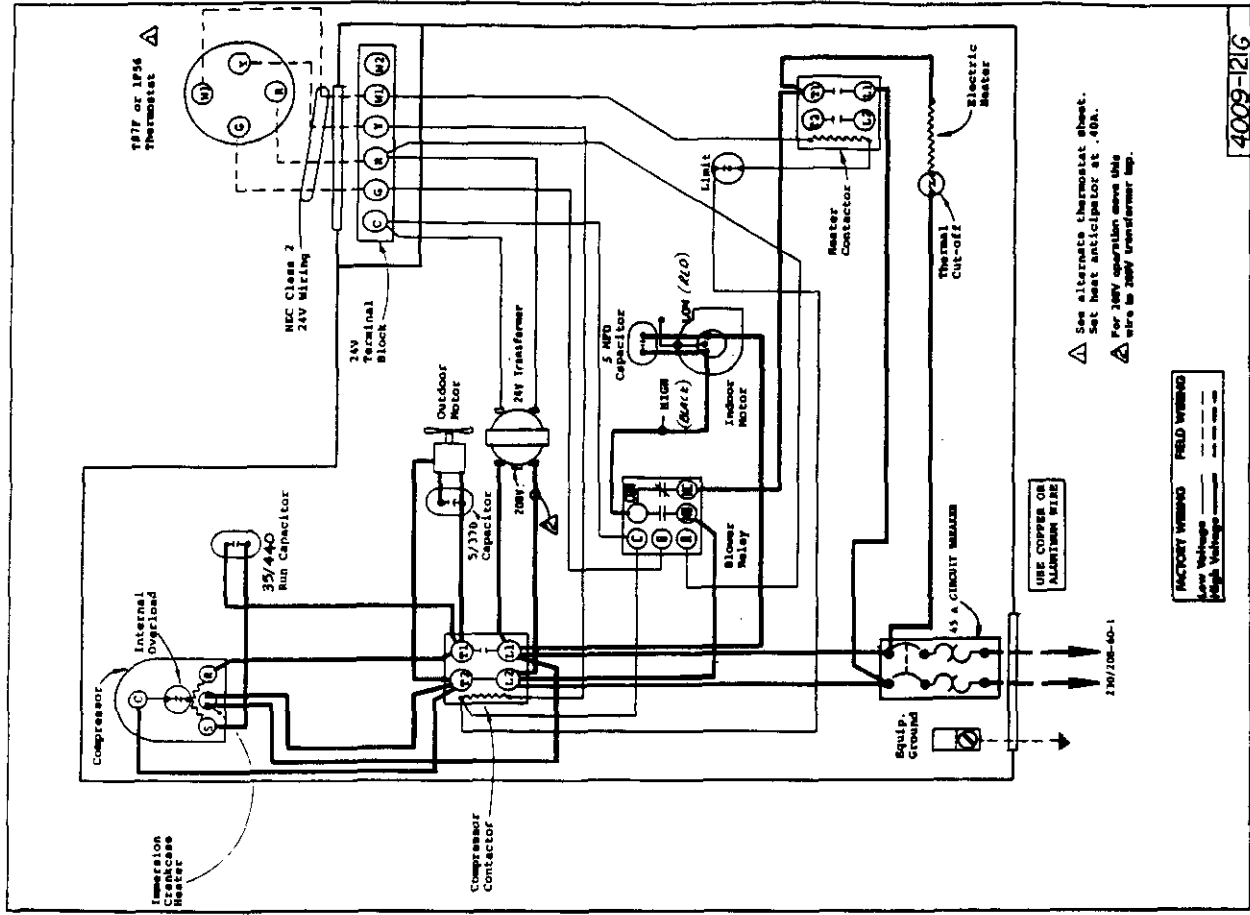


501954

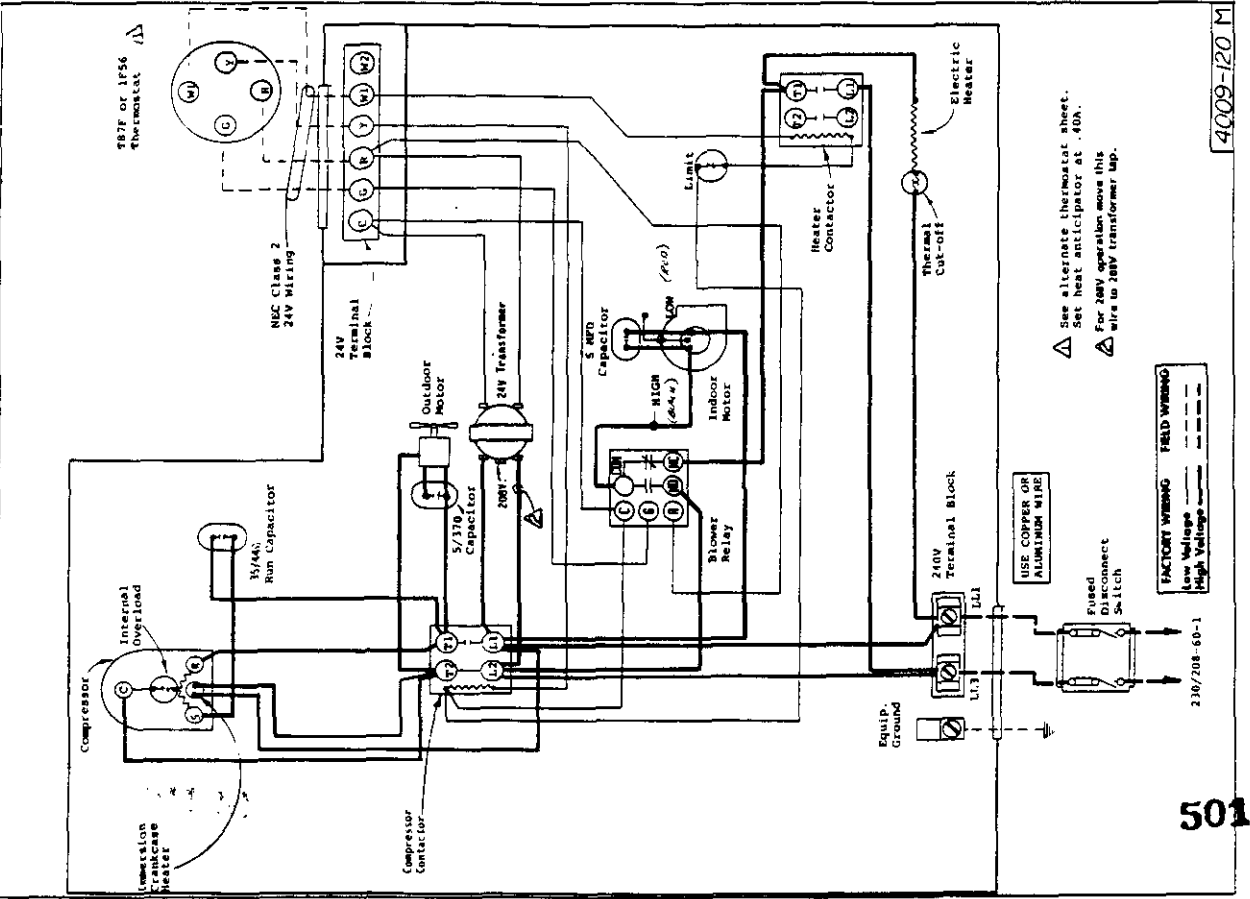




501955

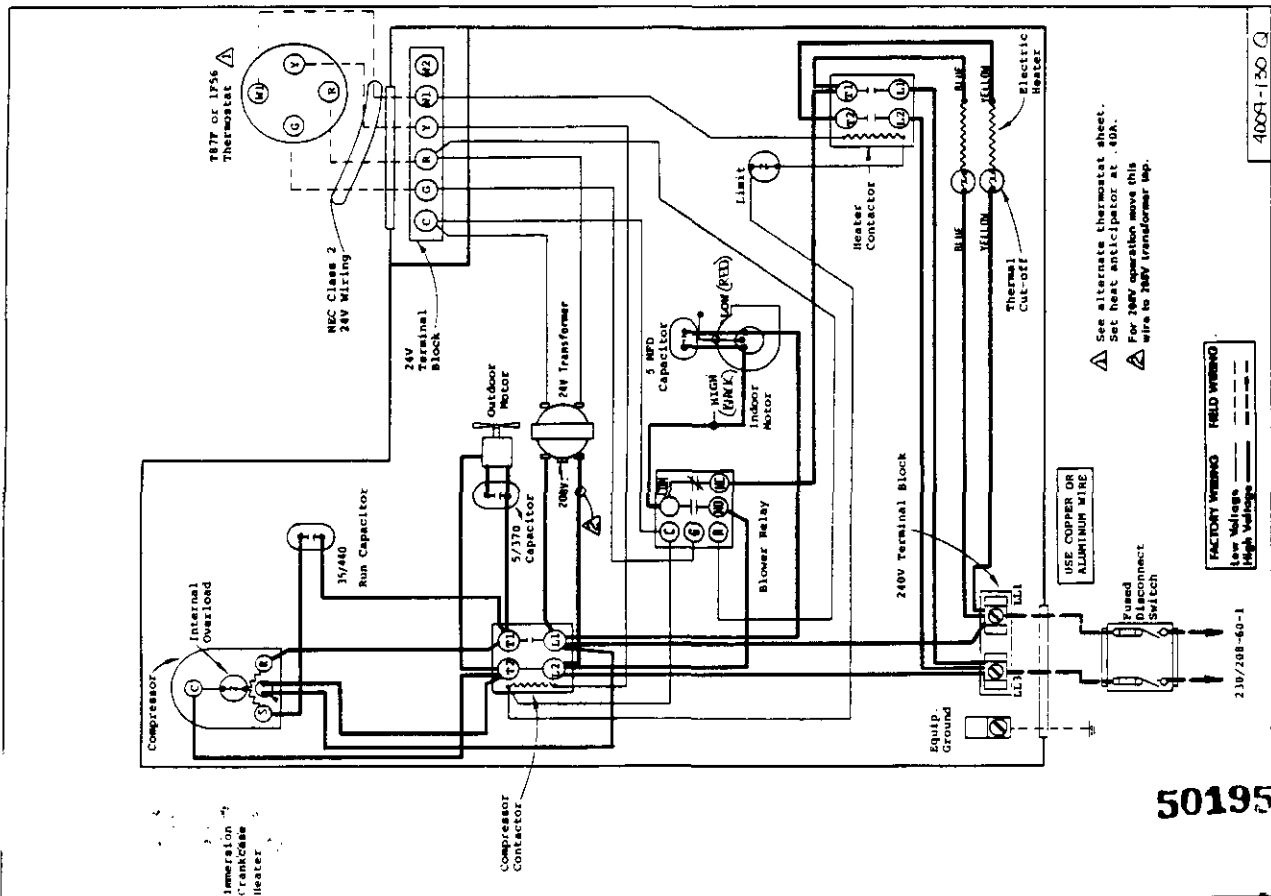


4009-1216

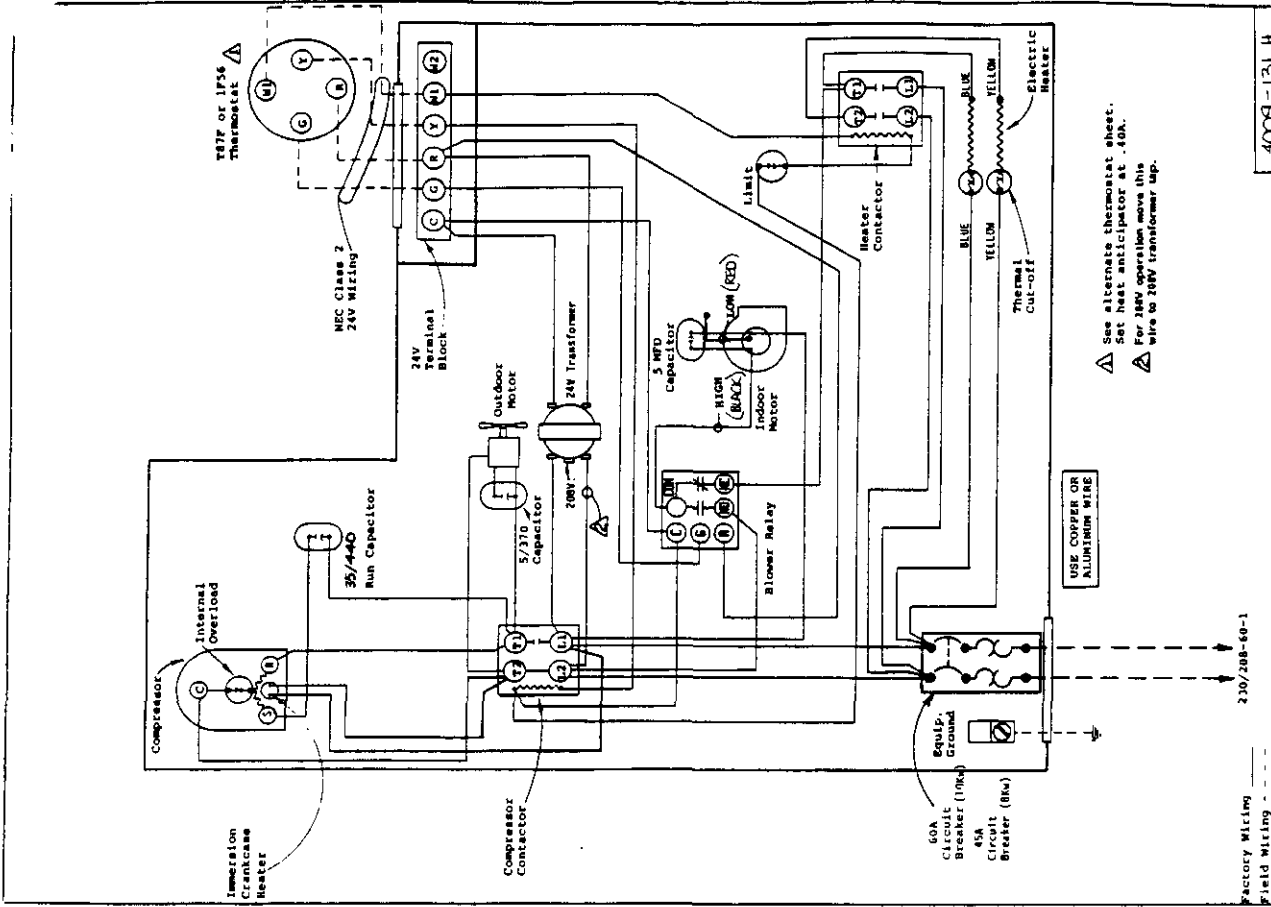


4009-120 M

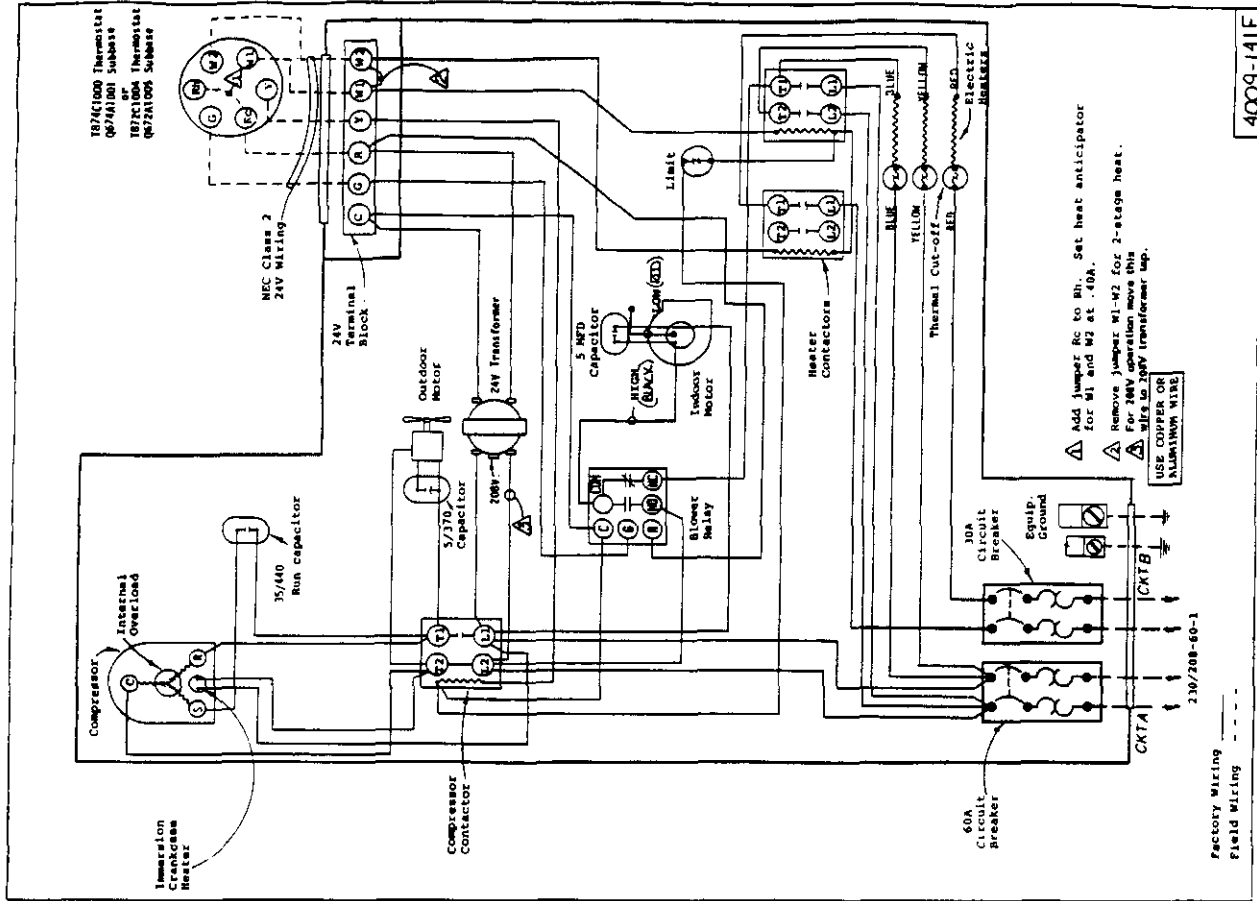
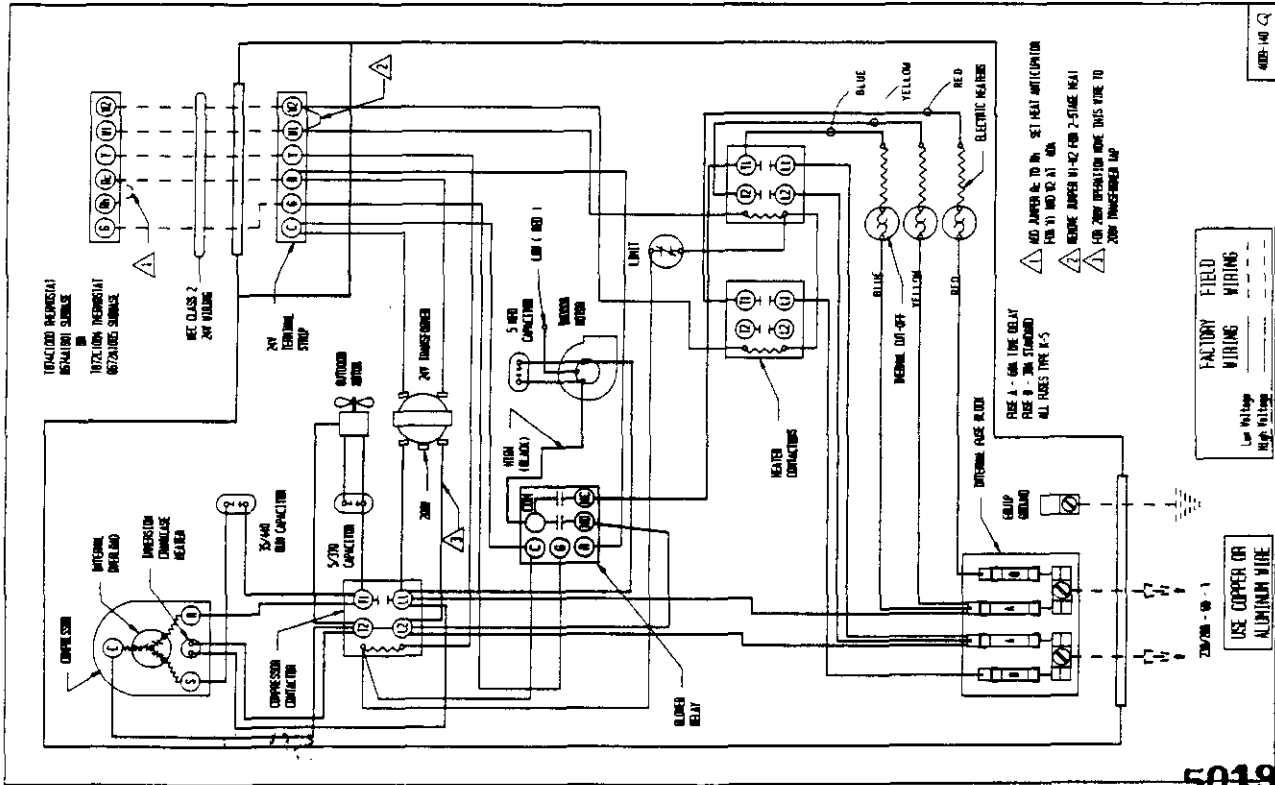
501956



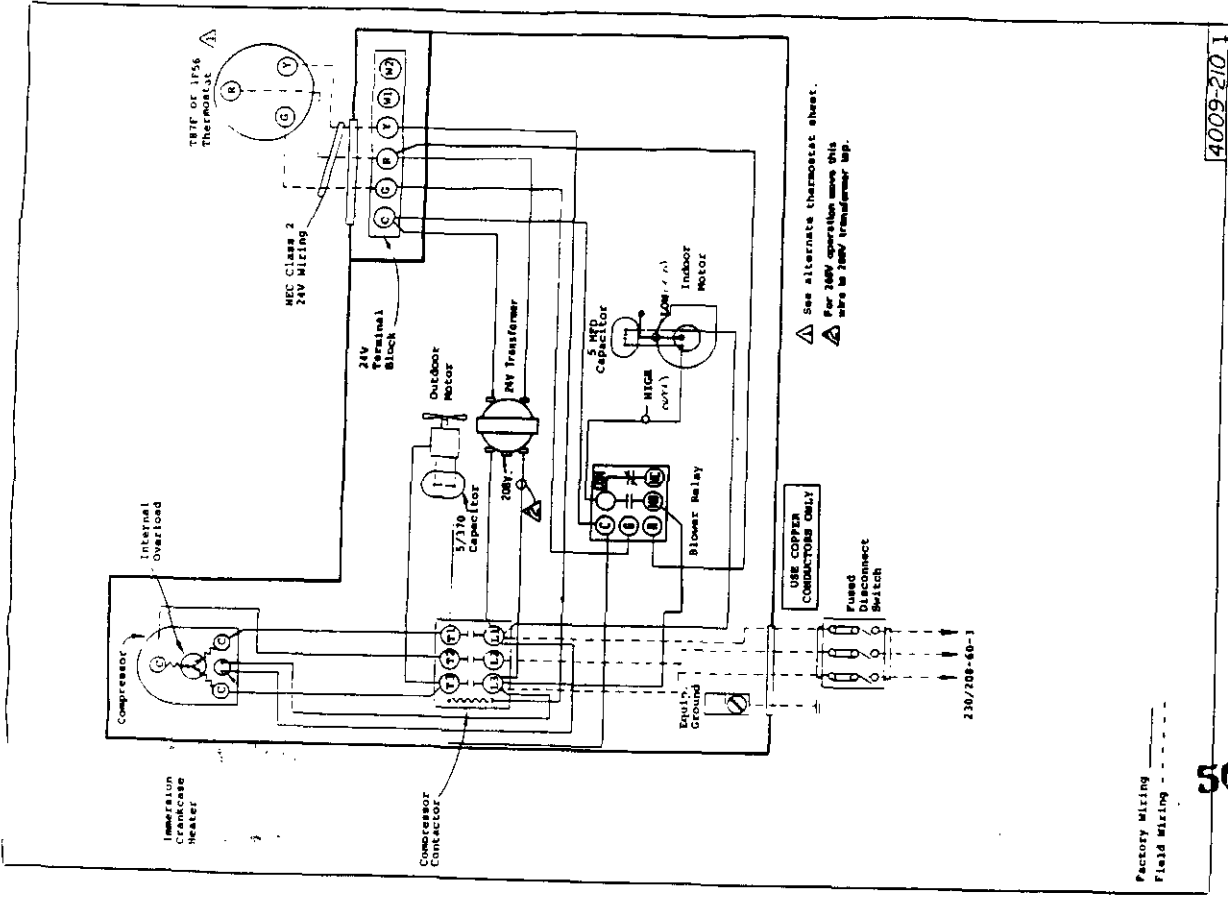
501957



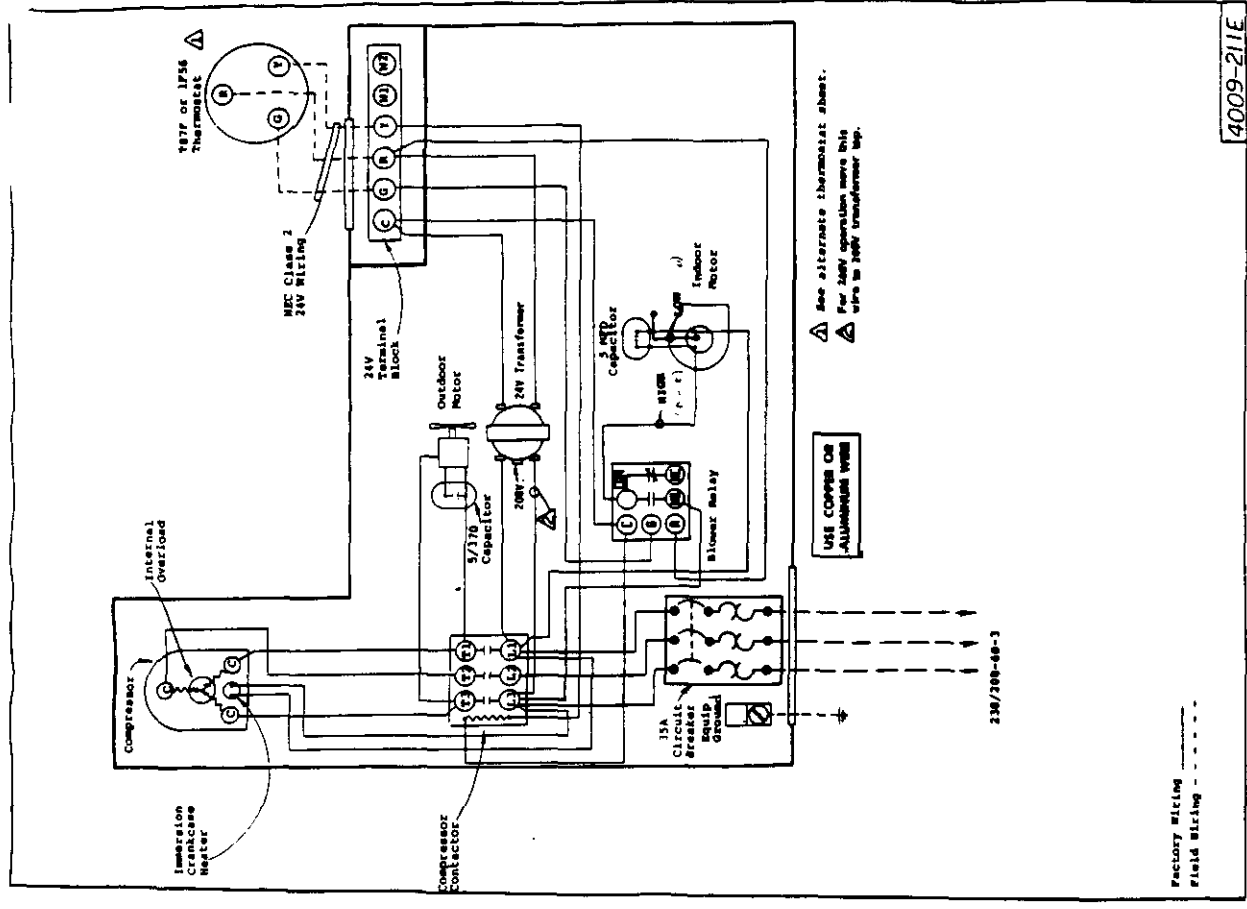
4009-131 H

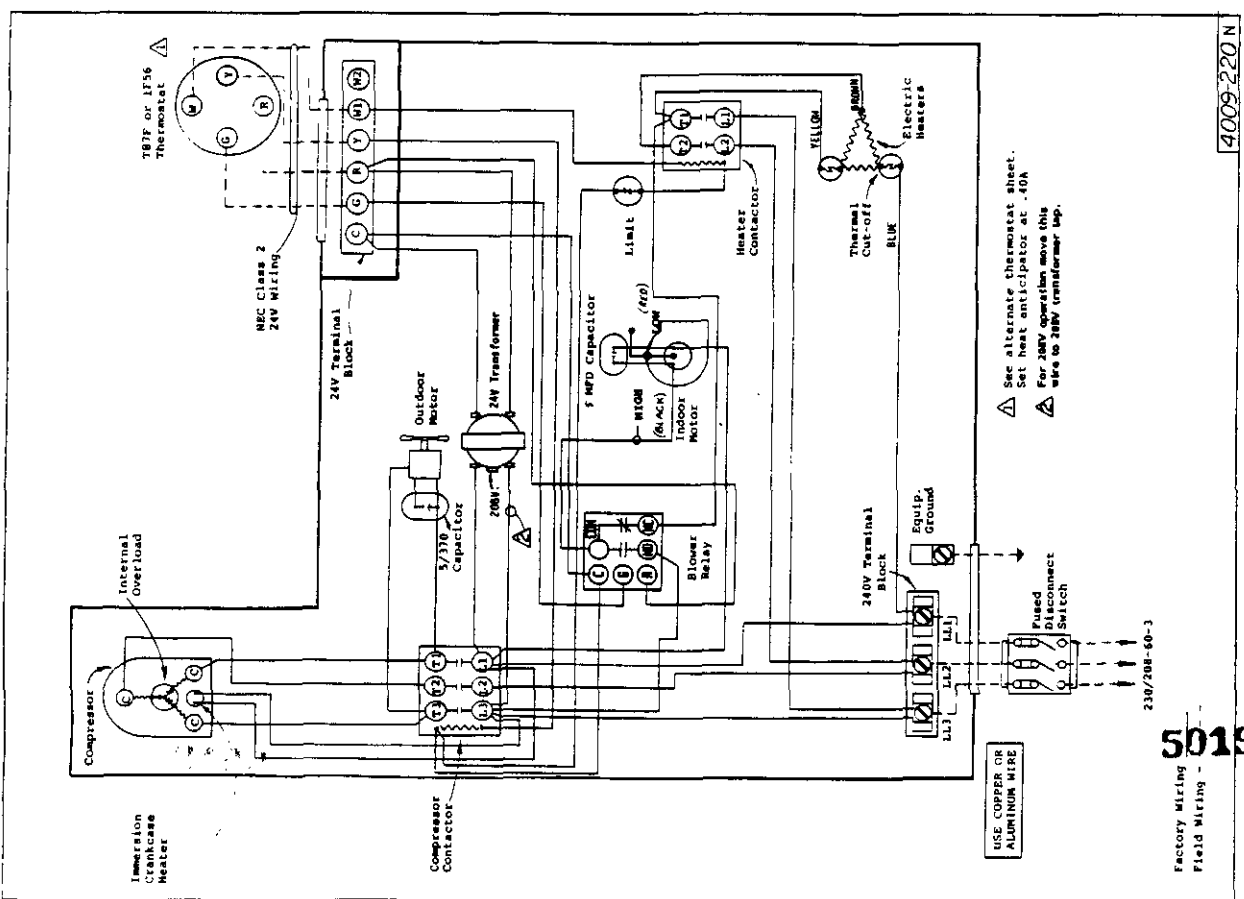
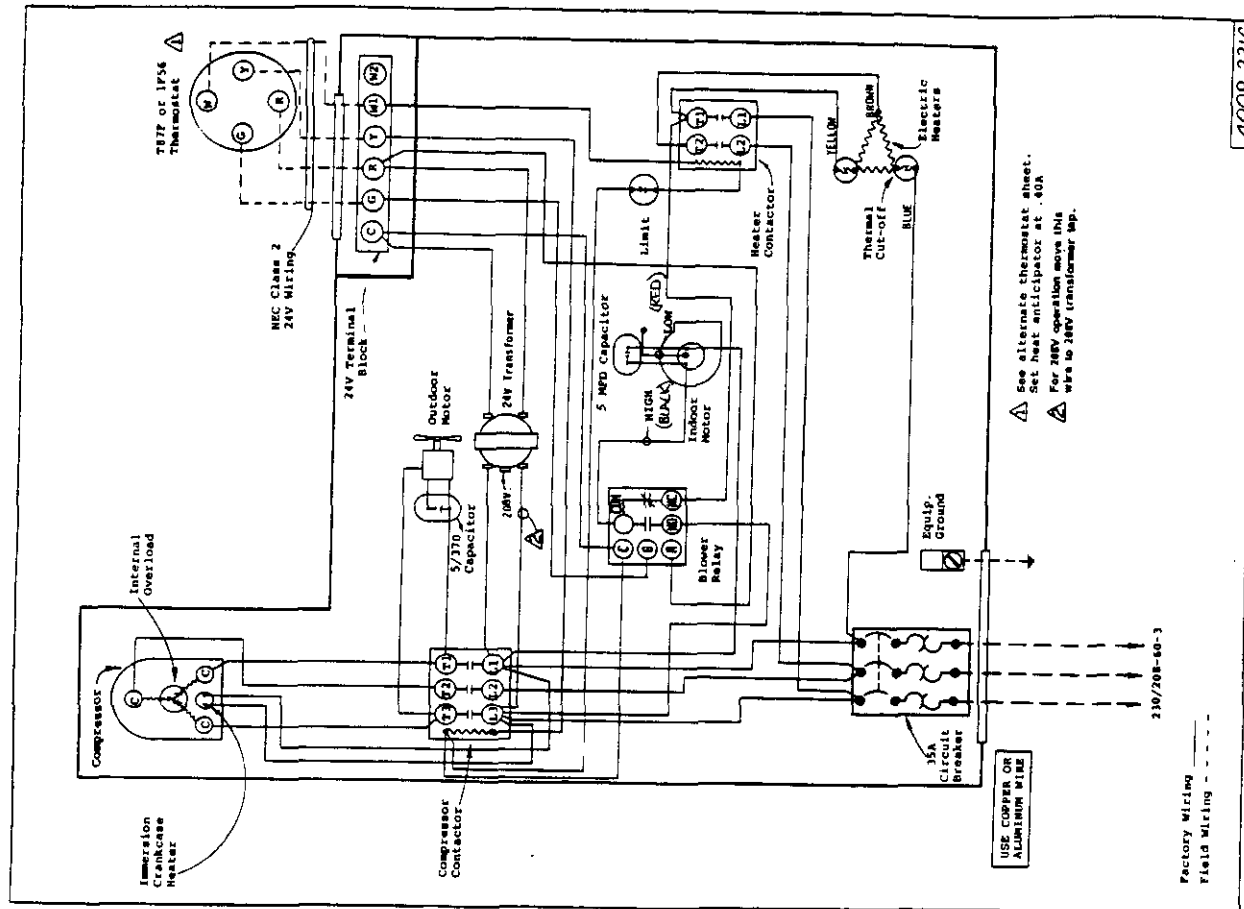


501958

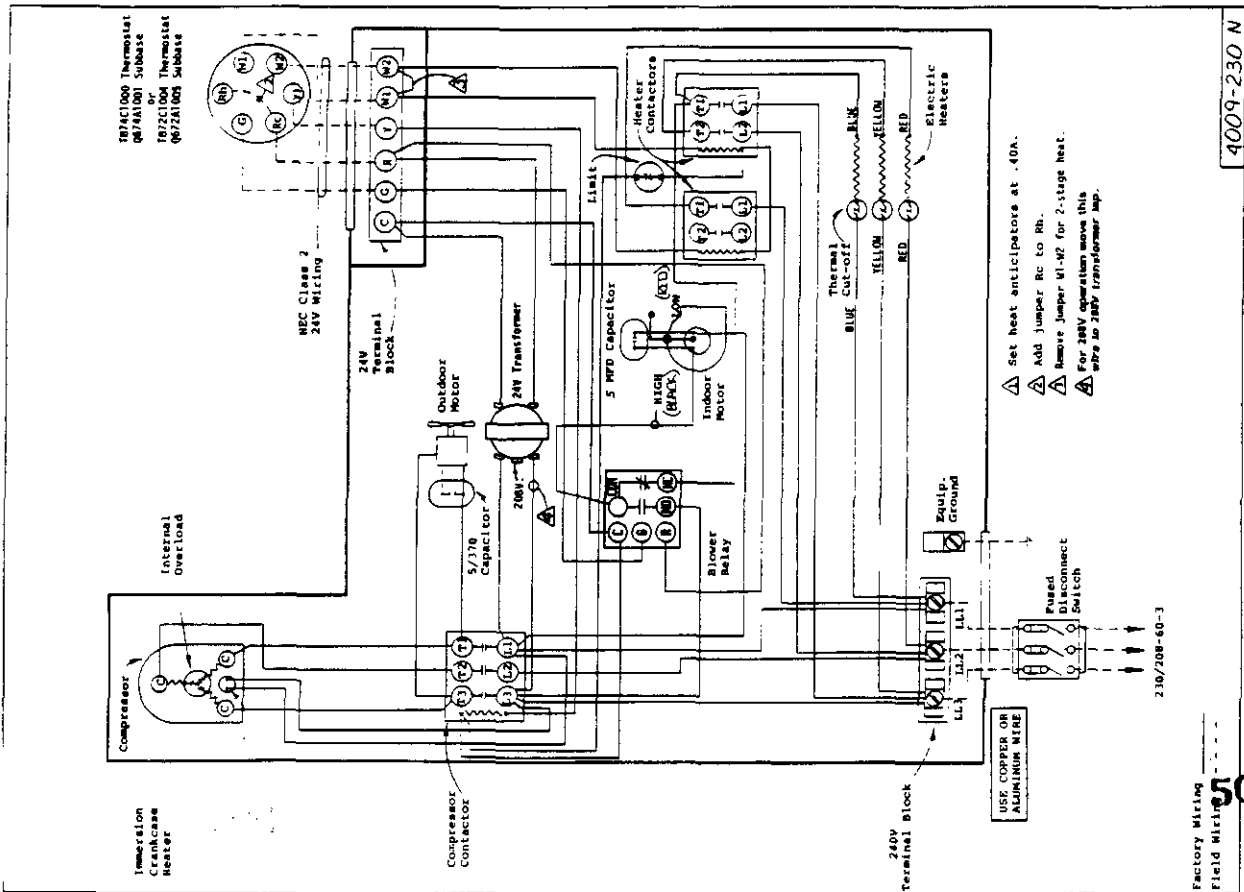


501959



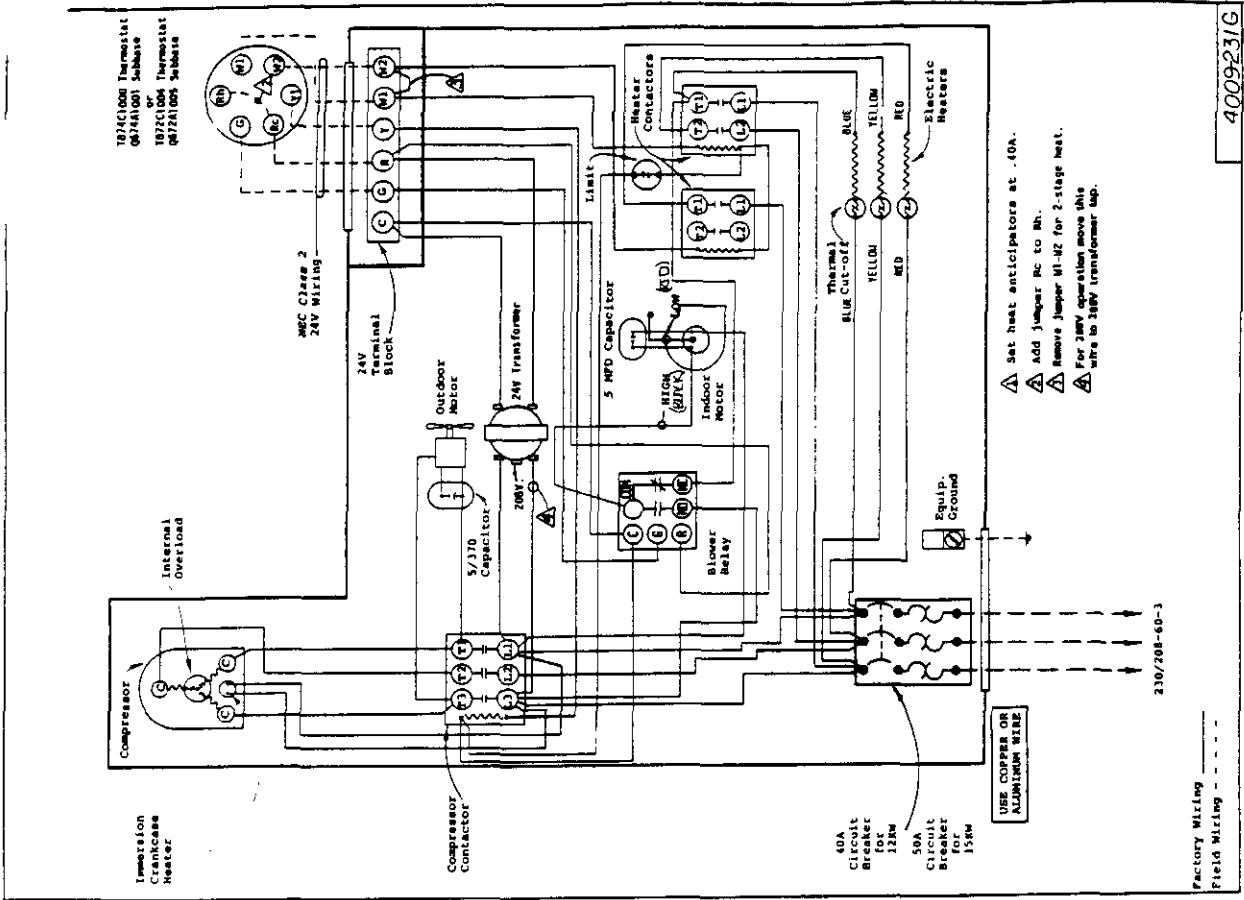


501960

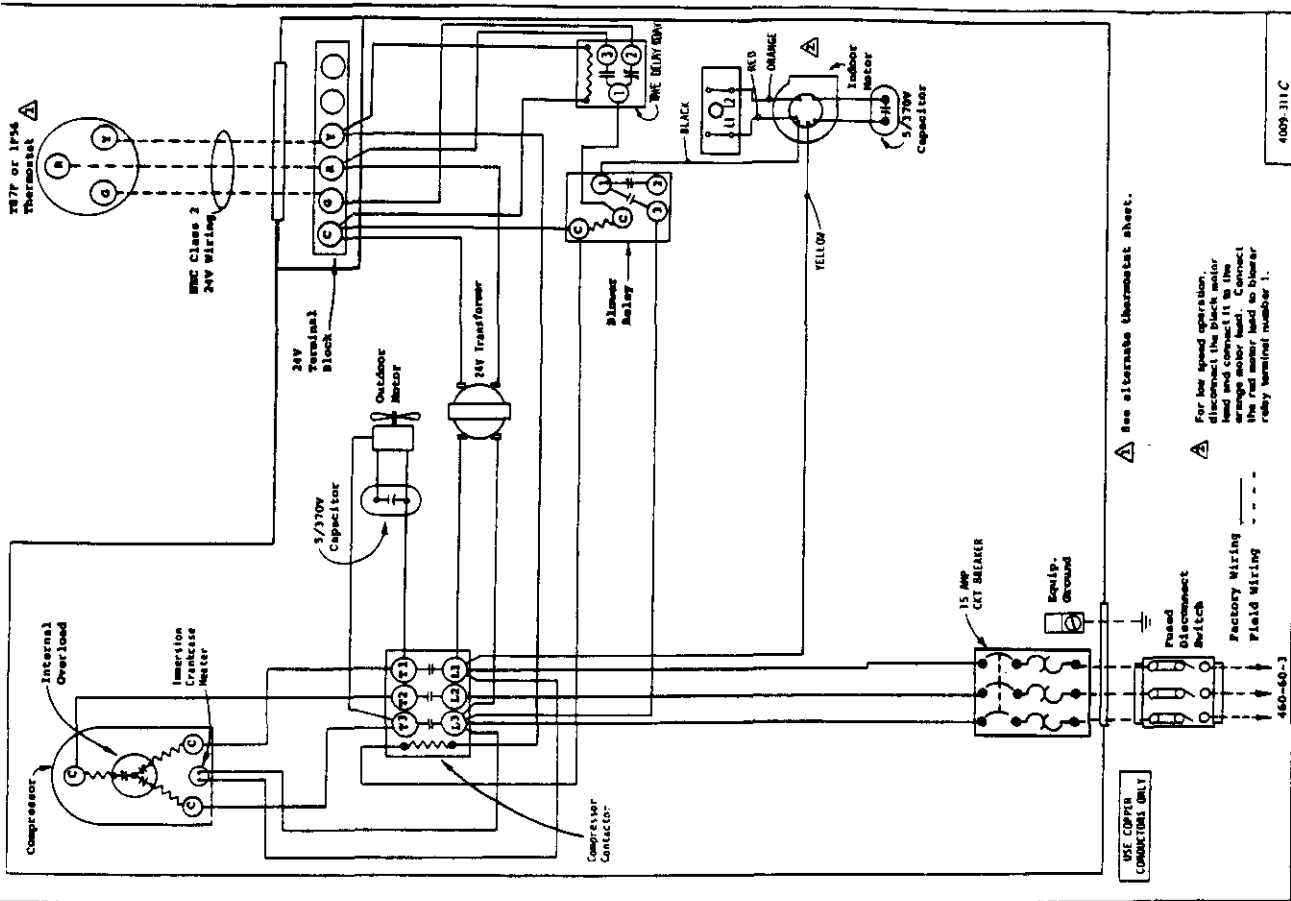


501961

4009-230 N

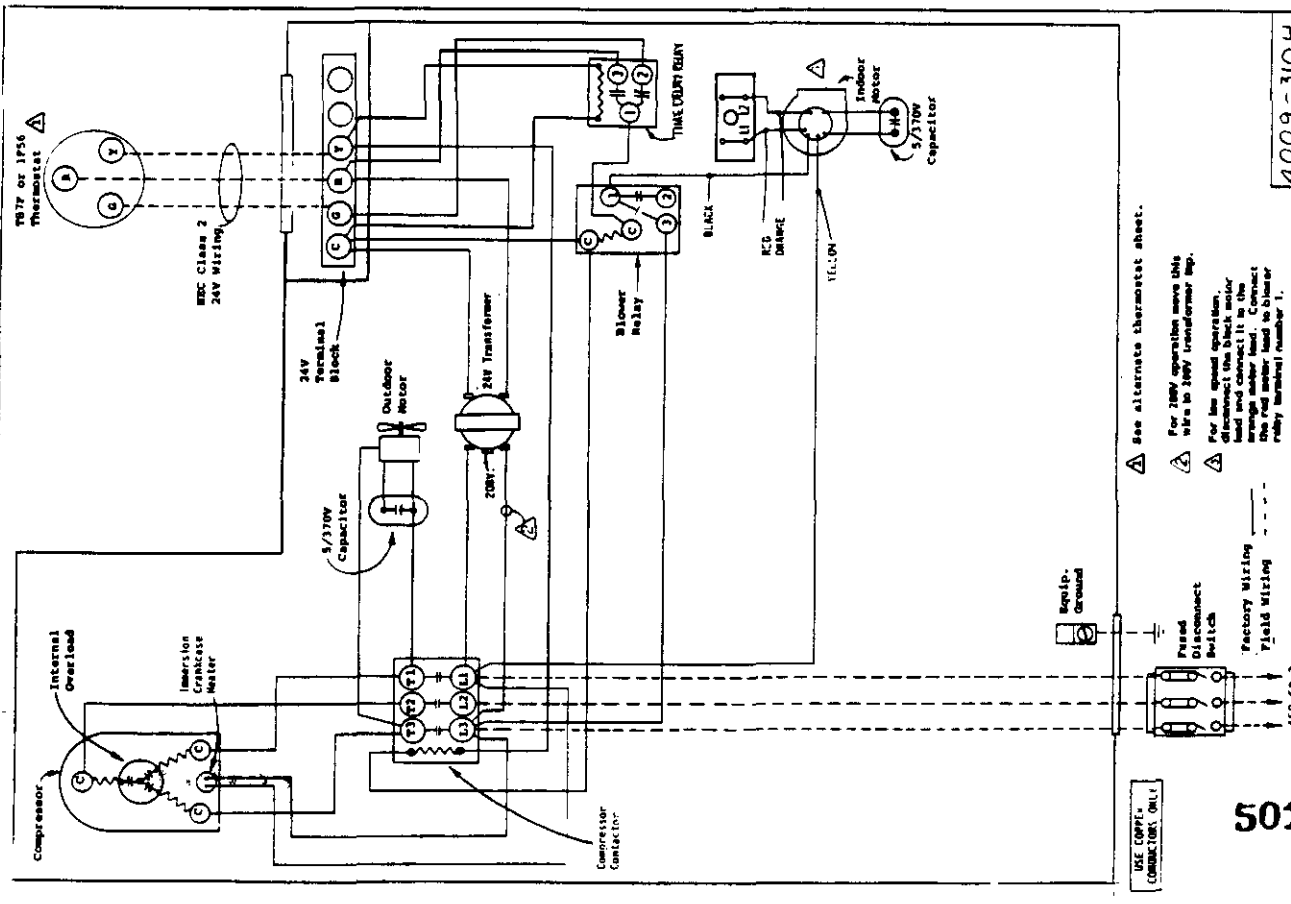


4009231G



See alternate thermostat sheet.

For low speed operation disconnect the black motor lead and connect it to the orange motor lead. Connect the red motor lead to blower relay terminal number 1.

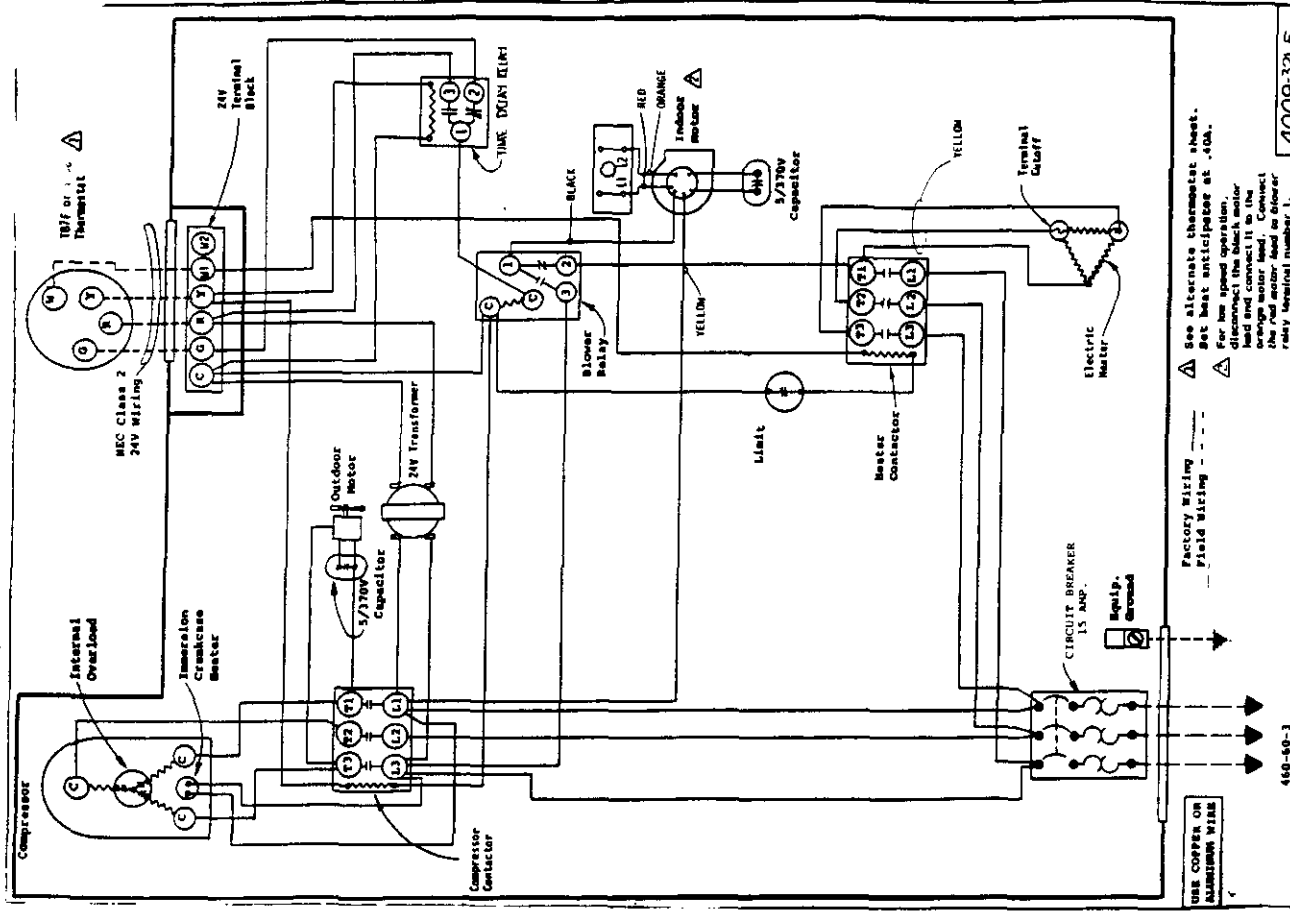
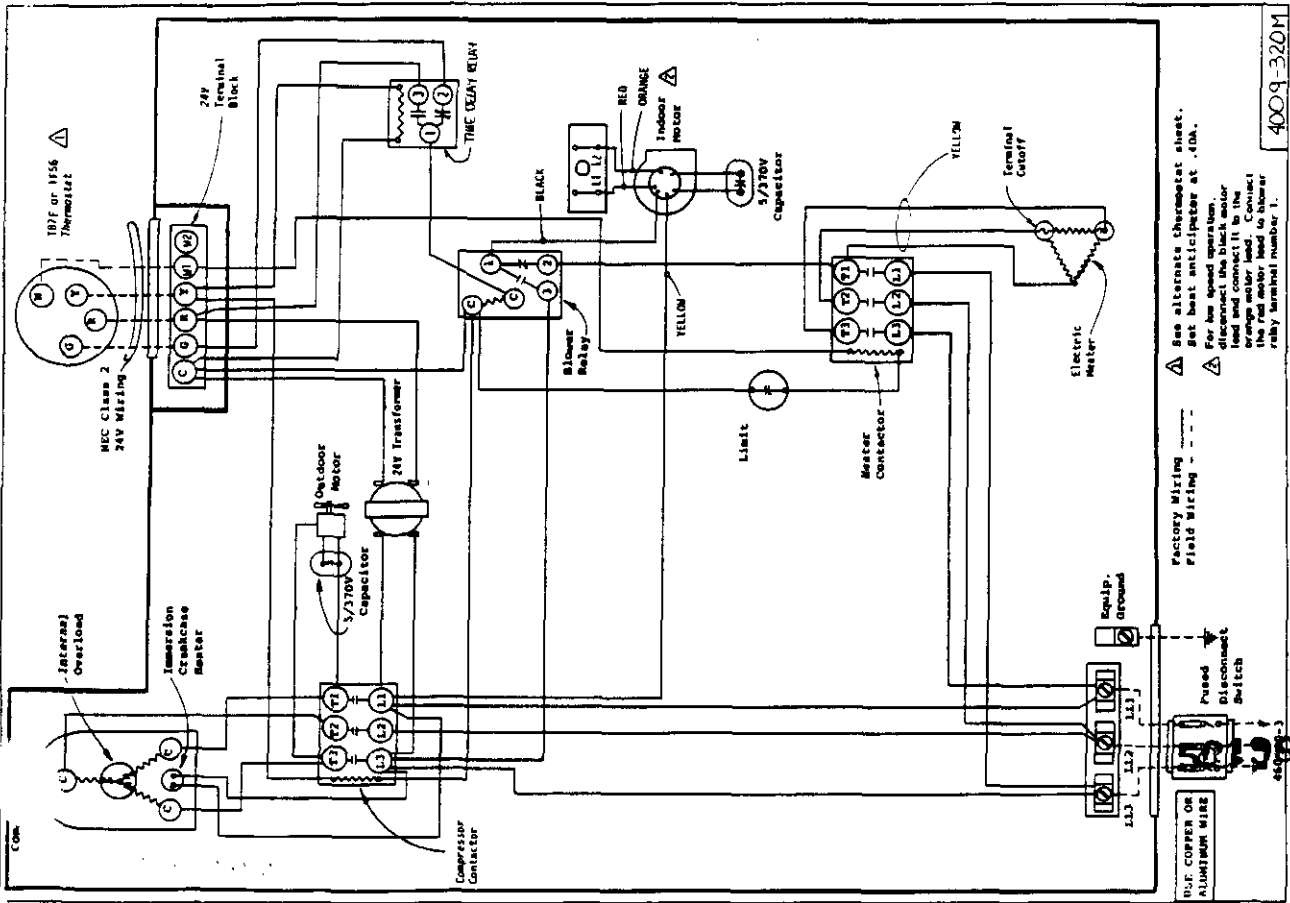


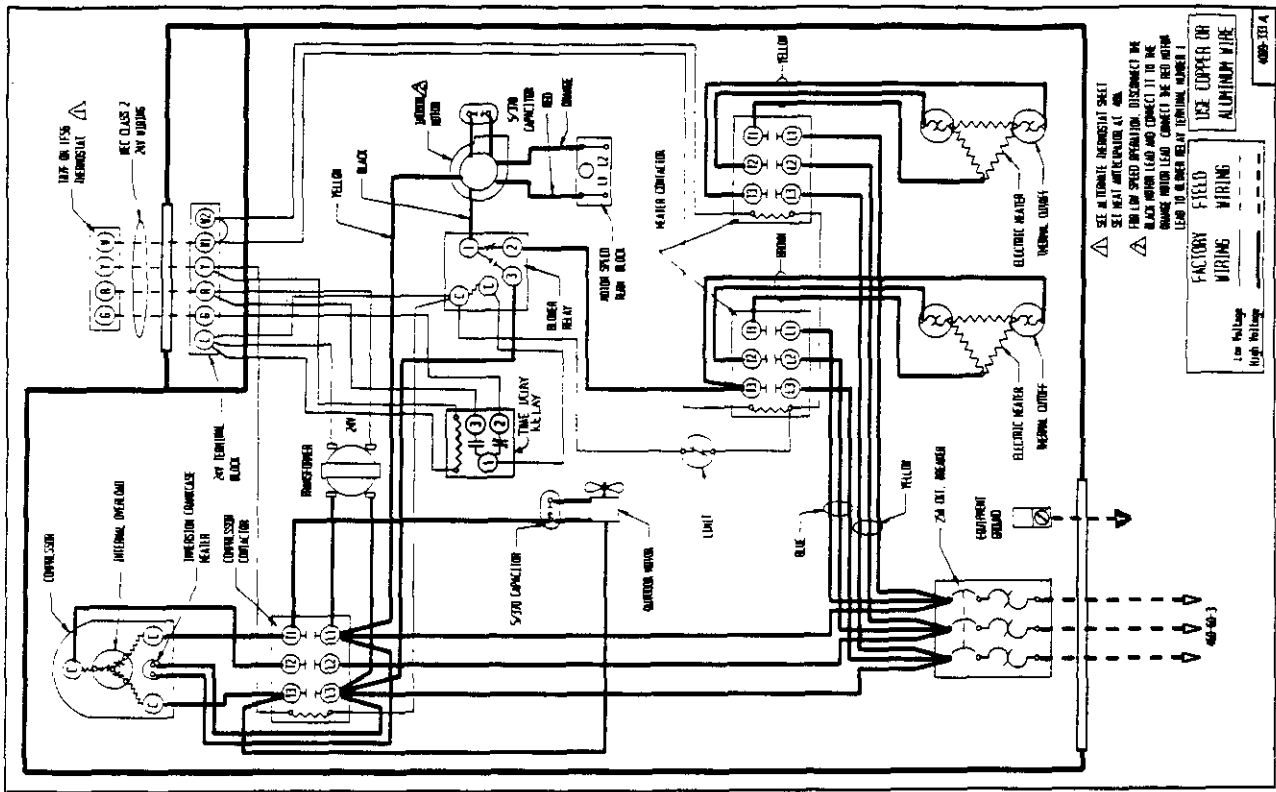
See alternate thermostat sheet.

For 24V operation move this wire to 1P56 transformer leg.

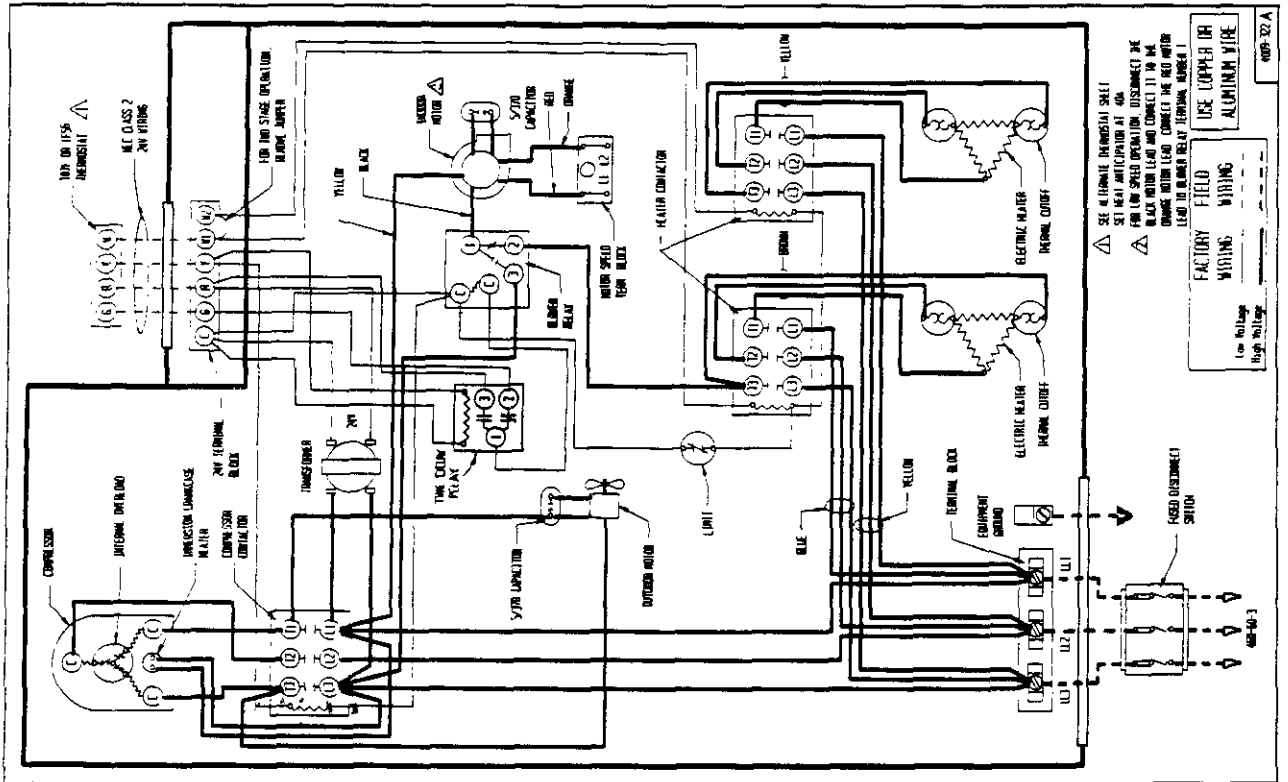
For low speed operation disconnect the black motor lead and connect it to the orange motor lead. Connect the red motor lead to blower relay terminal number 1.

501962





SEE TERMINAL IDENTIFICATION SHEET
 SET HEAT ANTICIPATION AT 40A
 FOR LOW SPEED OPERATION DISCONNECT THE BLACK MOTOR LEAD AND CONNECT IT TO THE BROWN MOTOR LEAD. CONNECT THE RED MOTOR LEAD TO THE RED RELAY TERMINAL NUMBER 1.
 USE COPPER OR ALUMINUM WIRE
 FACTORY WIRING FIELD WIRING
 Low Voltage High Voltage



SEE TERMINAL IDENTIFICATION SHEET
 SET HEAT ANTICIPATION AT 40A
 FOR LOW SPEED OPERATION DISCONNECT THE BLACK MOTOR LEAD AND CONNECT IT TO THE BROWN MOTOR LEAD. CONNECT THE RED MOTOR LEAD TO THE RED RELAY TERMINAL NUMBER 1.
 USE COPPER OR ALUMINUM WIRE
 FACTORY WIRING FIELD WIRING
 Low Voltage High Voltage