

**INSTALLATION INSTRUCTIONS**

**HIGH EFFICIENCY WATER SOURCE  
SPLIT HEAT PUMP SYSTEMS**

**MODELS**

**WQS30**

**WQS36**

**WQS50**

**\*WQSD30**

**\*WQSD36**

**\*WQSD50**

**\*Built-in hot water  
heat exchanger**

**Ground Water  
Temperatures 45 - 75 F**

MANUAL 2100-055 REV. J  
SUPERSEDES REV. I  
FILE VOL. I, TAB 8

**COPYRIGHT FEBRUARY, 1989  
BARD MANUFACTURING COMPANY  
BRYAN, OHIO**

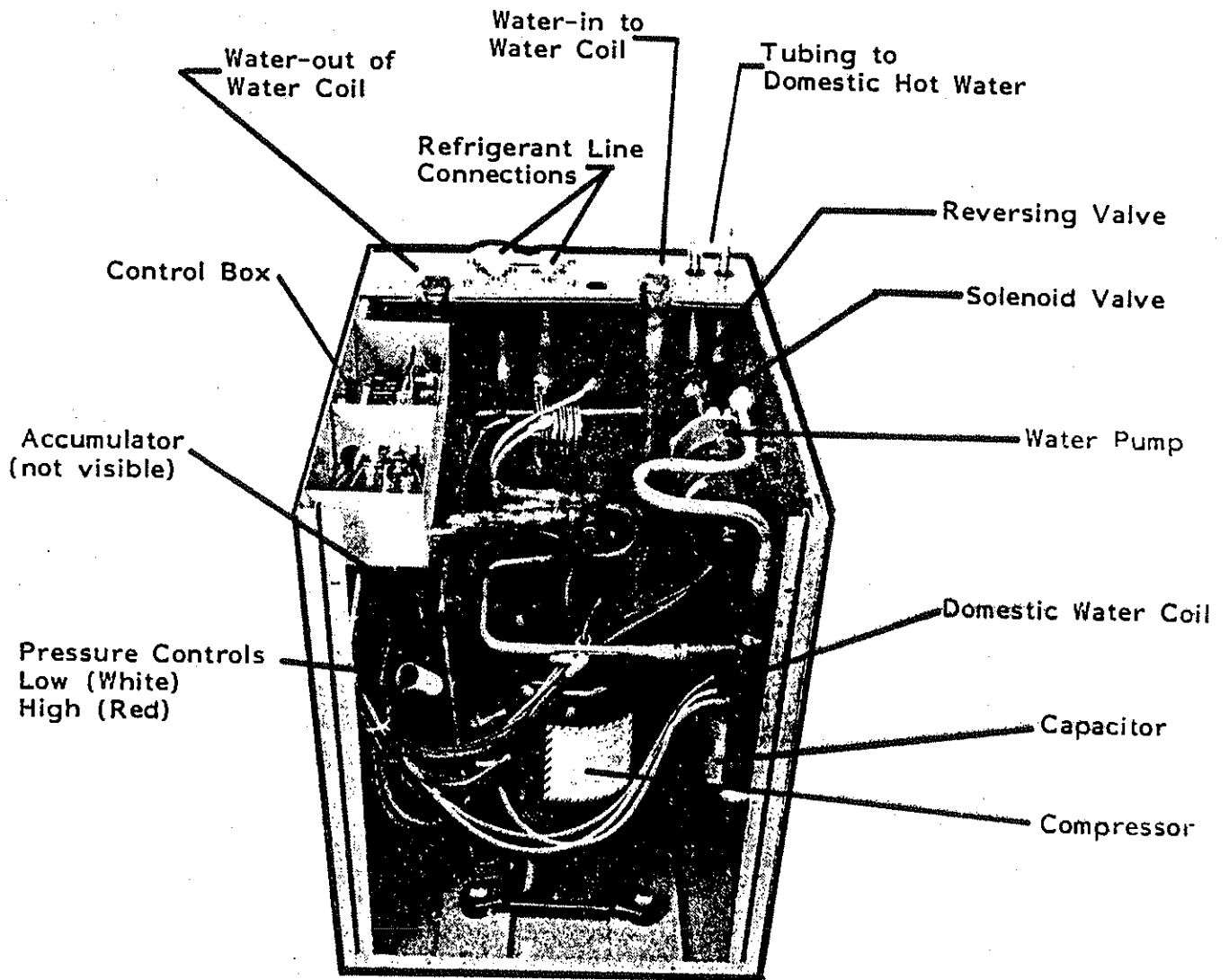
# INDEX

I.	General . . . . .	2
II.	Installation . . . . .	2
	1. BTUH Capacity Selection . . . . .	2
	2. Site Selection . . . . .	2
	3. Main Power . . . . .	2
	4. Control Circuit--Low Voltage Wiring . . . . .	3
	5. Piping Access to The Unit . . . . .	3
	6. Water Connections . . . . .	3
	7. Well Pump Sizing . . . . .	5
	8. Final Check List . . . . .	5
III.	Sequence Of Operation--WQS With Fossil Fuel Furnace . . . . .	6
	1. First Stage Heating . . . . .	6
	2. Second Stage Starts Gas Burner (Or Oil Burner) . . . . .	6
	3. First Stage Keeps Gas Burner Operating (Or Oil Burner) . . . . .	6
	4. Cooling . . . . .	7
	5. Check Light . . . . .	7
IV.	System Start Up Procedure . . . . .	7
	UNIT WITH HEAT RECOVERY FOR HEATING DOMESTIC HOT--WATER WQSD SERIES	
V.	General . . . . .	9
VI.	Installation . . . . .	9
	Location . . . . .	9
	Installation Procedure--General . . . . .	11
	Water Piping . . . . .	11
	Two Tank Installation--Figure 4 . . . . .	11
	One Tank Installation--Figure 3 . . . . .	12
VII.	Operation of Heat Recovery Unit . . . . .	12
VIII.	Start Up and Check Out . . . . .	12
IX.	Water Corrosion . . . . .	13
X.	Remedies of Water Problems . . . . .	14
XI.	Installing Refrigerant Tubing . . . . .	23

## INDEX OF FIGURES AND TABLES

Figure 1	1
Figure 2	4
Figure 3	10
Figure 4	10
Figure 5	14
Figure 6	24

Table 1	3
Table 2	15
Table 3	15
Table 4	16
Table 5	16
Table 6	16
Table 7	16
Table 8	17
Table 9	17
Table 10	17
Table 11	18
Table 12	18
Table 13	18
Table 14	18
Table 15	18
Table 16	18
Table 17	19
Table 18	17
Table 19	21
Table 20	22
Table 21	22



WQS - COMPRESSOR SECTION

FIGURE 1

## I. GENERAL

Units are shipped completely assembled and internally wired, requiring only duct connections, thermostat wiring, 230-208 volt AC power wiring, and water piping. The equipment covered in this manual is to be installed by trained, experienced service and installation technicians. Any heat pump is more critical of proper refrigerant charge and an adequate duct system than a cooling only air conditioning unit.

These instructions and any instructions packaged with any separate equipment required to make up the entire heat pump system should be carefully read before beginning the installation. Note particularly any tags and/or labels attached to the equipment.

While these instructions are intended as a general recommended guide, they do not in any way supersede any national and/or local codes. Authorities having jurisdiction should be consulted before the installation is made.

### Unpacking

Upon receipt of the shipment, the carton should be checked for external signs of shipping damage. If damage is found, the receiving party must contact the last carrier immediately, preferably in writing, requesting inspection by the carrier's agent.

## II. INSTALLATION

### 1. BTUH Capacity Selection

Capacity of the unit for a proposed installation should be based on heat loss calculations made in accordance with methods of the Air Conditioning Contractors of America, formerly National Warm Air Heating and Air Conditioning Association. The air duct system should be sized and installed in accordance with Standards of the National Fire Protection Association For The Installation of Air Conditioning and Ventilating Systems of Other Than Residence Type, NFPA No. 90A, and Residence Type Warm Air Heating and Air Conditioning System, NFPA No. 90B.

### 2. Site Selection

The unit may be installed in a basement, closet or utility room provided adequate service access is insured. Ideally, three sides of the unit should have a minimum access clearance of two feet but the unit can be adequately serviced if two or only one side has the minimum two feet clearance. The unit must be located in the conditioned space to prevent freezing of the water lines and to permit proper automatic shut off of the water regulating valves. See water piping section.

Clearance to combustible materials is 0 inches for the compressor section of the heat pump. See instructions for the indoor section for its clearance requirements.

Before setting the unit, consider ease of piping, drain and electrical connections for the unit. Also, for units with heat recovery unit, consider the proximity of the unit to the water heater or storage tank. Place the unit on a solid base, preferably concrete to minimize undesirable noise and vibration. DO NOT elevate the base pan on rubber or cork vibration eliminator pads as this will permit the unit base to act like a drum, transmitting objectionable noise.

### 3. Main Power

Refer to the unit serial plate for wire sizing information and correct overcurrent protection size. Each unit is marked with a "Minimum Circuit Ampacity." This means that field wiring conductors must be sized to carry that amount of current. Each unit and/or wiring diagram is also marked "Use Copper Conductors Only," meaning the leads provided are not suitable for aluminum wiring. Refer to the National Electric Code for complete current-carrying capacity data on the various grades of wiring material.

All electrical connections are made through the top of the unit. High voltage connections are made with the contactor in the control box. Low voltage connections are made to the terminal strip mounted in the control panel box. Refer to the wiring diagram for connecting the terminals.

The unit rating plate lists "Maximum Overcurrent Protective Device" that is to be used with the equipment. This device may be a time delay fuse or HACR Type circuit breaker. The correct size overcurrent protective device must be used to provide for proper circuit protection and to avoid nuisance trips due to the momentary high starting current of the compressor motor.

#### 4. Control Circuit--Low Voltage Wiring

A 24 volt terminal strip is mounted in control box of the unit. Two types of thermostats are available: 1) Single stage heat, single stage cool to operate the heat pump alone--without backup electric or fossil heaters. This thermostat is equipped with a signal light to indicate when the unit is "locked out" because of the low or high pressure control. Refer to the wiring diagrams at the end of this manual for correct connection of the terminals. 2) Two stage heat, single stage cool to operate the heat pump or electric heaters or fossil fuel furnace on heating or the heat pump on cooling. This thermostat is also equipped with a signal light to indicate when the unit is "locked out" because of operation of the low or high pressure control. In addition, a second signal light tells when the unit has been placed in Emergency Heat. Refer to the wiring diagram at the end of this manual and the wiring diagram packed with the duct heater for correct connection of the low voltage terminals.

#### 5. Piping Access To The Unit

Water piping to and from the unit enters the top of the unit casing through the water access panel. Piping connections are made directly to the heat exchanger coil and are 3/4 inch FPT for the WQS30/36. Connections are 1 inch hole for the WQS50.

#### 6. Water Connections

It is very important that an adequate supply of clean, non-corrosive water at the proper pressure be provided before the installation is made. Insufficient water, in the heating mode for example, will cause the low pressure control to trip, shutting down the heat pump. In assessing the capacity of the water system, it is advisable that the complete water system be evaluated to prevent possible lack of water or water pressure at various household fixtures whenever the heat pump turns on. All plumbing to and from the unit is to be installed in accordance with local plumbing codes. The use of plastic pipe, where permissible, is recommended to prevent electrolytic corrosion of the water pipe. Because of the relatively cold temperatures encountered with well water, it is strongly recommended that the water lines connecting the unit be insulated to prevent water droplets from condensing on the pipe surface.

Refer to Piping, Figure 2. Slow closing Solenoid Valve (6) with a 24V coil provides on/off control of the water flow to the unit. Refer to the wiring diagram for correct hookup of the valve solenoid coil.

Constant Flow Valve (7) provides correct flow of water to the unit regardless of variations in water pressure. Observe the water flow direction indicated by the arrow on the side of the valve body. Following is a table showing which valve is to be installed with which heat pump.

TABLE 1

Heat Pump Model	Flow Rate	Part Number
WQS30, WQSD30		
WQS36, WQSD36	5 GPM	8603-011
WQS50, WQSD50	6 GPM	8603-007

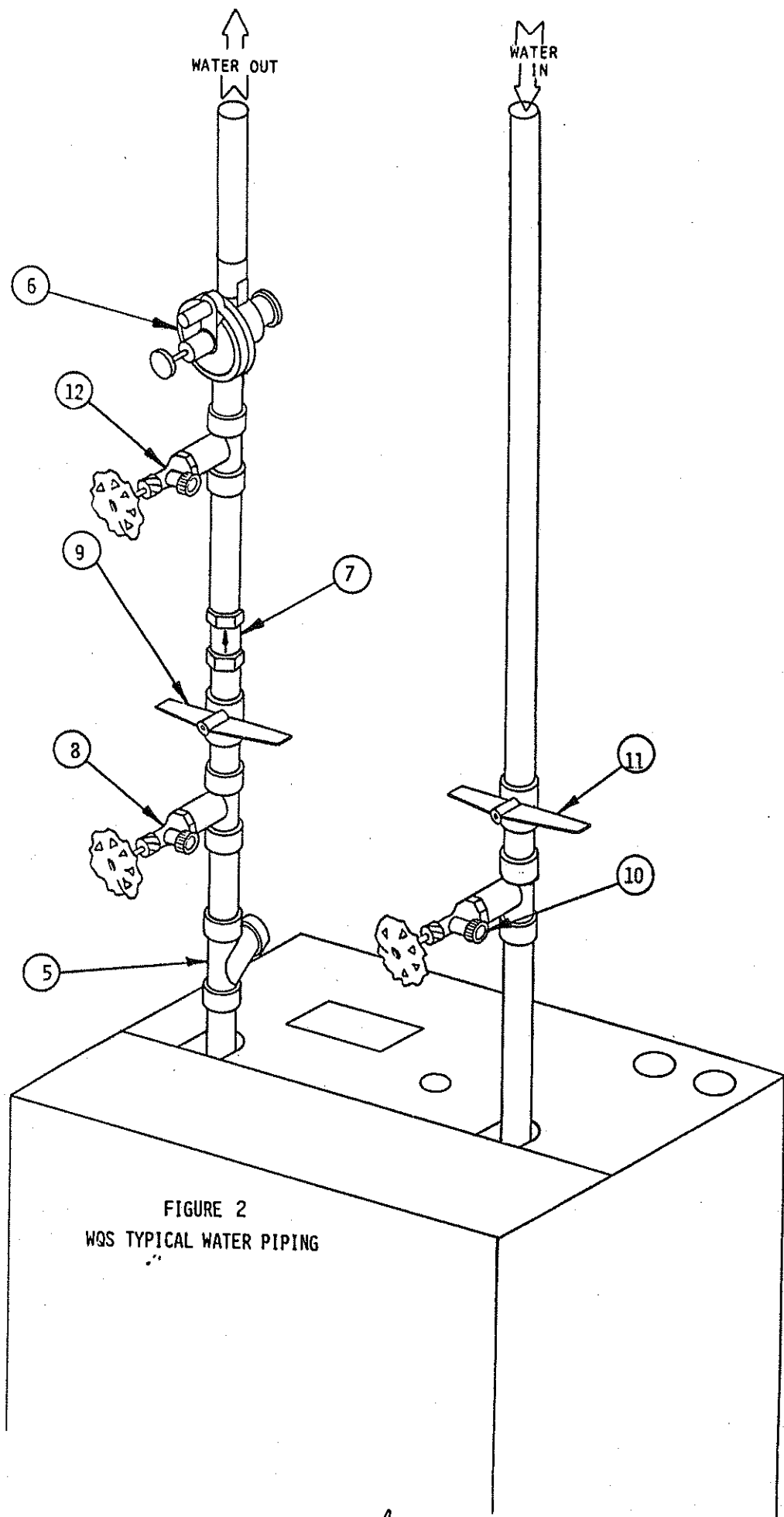


FIGURE 2  
WQS TYPICAL WATER PIPING



Strainer (5) installed upstream of constant flow valve (7) to collect foreign material which would clog the flow valve orifice.

The figure shows the use of shut-off valves (9) and (11), on the in and out water lines to permit isolation of the unit from the plumbing system should future service work require this. Globe valves should not be used as shutoff valves because of the excessive pressure drop inherent in the valve design. Instead use gate or ball valves as shutoffs so as to minimize pressure drop.

Drain cocks (8) and (10), and tees have been included to permit acid cleaning the refrigerant-to-water coil should such cleaning be required. See WATER CORROSION, Page 13.

Drain Cocks (12) provide access to the system to check water flow through the constant flow valve to insure adequate water flow through the unit. A water meter 1-10 GPM (8603-013) is used to check the water flow rate.

## 7. Well Pump Sizing

Strictly speaking, sizing the well pump is the responsibility of the well drilling contractor. It is important, however, that the HVAC contractor be familiar with the factors that determine what size pump will be required. Rule of thumb estimates will invariably lead to under or oversized well pumps. Undersizing the pump will result in inadequate water to the whole plumbing system but with especially bad results to the heat pump--NO HEAT/NO COOL calls will result. Oversized pumps will short cycle and could cause premature pump motor or switch failure.

The well pump must be capable of supplying enough water and at an adequate pressure to meet competing demands of water fixtures. The well pump must be sized in such a way that three requirements are met:

1. Adequate flow rate in gpm.
2. Adequate pressure at the fixtures.
3. Able to meet the above from the depth of the well-feet of lift.

The pressure requirements put on the pump are directly affected by the diameter of the pipe being used as well as by the water flow rate through the pipe. The worksheet included in Manual 2100-078 should guarantee that the well pump has enough capacity. It should also insure that the piping is due to friction loss. High pressure losses due to undersized pipe will reduce efficiency and require larger pumps and could also create water noise problems.

## 8. Final Check List

Before starting unit after installation or servicing, check the following:

1. Proper voltage to unit.
2. Correct fuse sizes.
3. Tight electrical connections.
4. Water system clean and flushed.
5. Air purged from water system.
6. Adequate water flow and pressure to the unit.
7. Water temperature between 45 degree F and 75 degree F.
8. Condensate line clear and unclogged.
9. Blower wheel free to rotate.
10. Return air filter is installed.
11. Access panels and enclosures are installed and secured.

To start and check balance the unit, see the "Sequence of Operation" and "System Start-Up Procedures" in the installation instructions.

### III. SEQUENCE OF OPERATION--WQS WITH FOSSIL FUEL FURNACE

#### 1. First Stage Heating

On a call for heating a circuit is made between R and Y at the room thermostat. At the same time a circuit is made between R and G. The "G" circuit energizes the blower relay of the fan center. The blower relay contacts complete a circuit to the furnace blower motor and the blower runs. The Y circuit is routed to the Y terminal of the compressor section and then to terminal 4 of the lockout relay. Terminal 4 of the lockout relay provides three possible paths for the current to take.

- A. Terminal 4 to 2--only possible if the lockout relay is energized.
- B. Terminal 4 to 3--in combination with the compressor contactor coil and offers high resistance to current flow.
- C. Terminal 4 to 5--path of least resistance. Current flows until lockout relay is energized.

From terminal 5 of the lockout relay the Y circuit continues through the low and high pressure switches (normally closed) to the normally closed contacts (5 and 6) of the Fossil Fuel Relay and then to the compressor contactor coil. The compressor contactor coil is energized and a high voltage circuit is the "O" terminal is not energized, the reversing valve solenoid is not energized and the unit is in heating.

NOTE: For oil furnaces use an isolation relay to keep the two transformer circuits separated. Connect the isolation relay coil between "V" and "C". Connect the oil primary thermostat terminals to the switch contacts of the isolation relay.

#### 2. Second Stage Starts Gas Burner (Or Oil Burner)

When the second stage bulb of the wall thermostat makes, a circuit is completed between R and W2 of the wall thermostat. This circuit is routed to W2 of the compressor section and then to terminal 3 of the Fossil Fuel Relay--the relay is energized. Normally closed contacts (5 and 6 of the Fossil Fuel Relay) in the compressor contactor coil circuit open and the compressor contactor coil drops out. The compressor no longer is running. Normally open contacts (2 and 4 of the Fossil Fuel Relay) close and the W2 circuit continues from terminal 3 of the Fossil Fuel Relay to terminal 4 across the now closed contact to terminal 2 and then to terminal V of the compressor section. Terminal V is connected to the gas valve solenoid which is now energized and the gas valve opens. Fossil fuel furnace is now energized and the gas valve opens. Fossil fuel furnace is now energized.

#### 3. First Stage Keeps Gas Burner Operating (Or Oil Burner)

When the compressor contactor coil circuit is interrupted by the functioning of the Fossil Fuel Relay (5 and 6 open), the path of least resistance for the Y circuit is no longer to the compressor contactor coil (4 to 5 of the lockout relay). Current can now flow through the lockout relay coil (4 to 3) returning through the compressor contactor coil as a wire and proceeding to the common side of the transformer. The lockout relay is energized. The resistance of the lockout relay coil causes a voltage drop sufficient to prevent the compressor contactor coil from energizing (no longer 24 volts at the compressor contactor coil) and the compressor is prevented from running.

When the lockout relay coil is energized, the Y circuit (first stage heating) is rerouted from 4 and 5 of the lockout relay (now open) to 4 and 2 of the lockout relay (now closed). From terminal 2 of the lockout relay the first stage heating Y circuit goes to the normally closed contacts (5 and 6) of the changeover relay. From the changeover relay the circuit goes to terminal V of the compressor section and then to the gas valve. The gas valve, therefore, though originally energized by second stage heating, will not shut off until first stage heating is satisfied.

The purpose of the changeover relay is to prevent operation of the gas valve when the lockout relay is energized in cooling (for example high pressure switch opens). The coil of the changeover relay is connected to the "O" terminal (only energized in cooling) and therefore the changeover relay contacts (5 and 5--normally closed) are open in cooling--gas valve is prevented from operating.

#### 4. Cooling

When the system switch of the wall thermostat is moved to COOL a circuit is completed from R to O (whether the cooling bulb is made or not). The "O" terminal is connected to the reversing valve solenoid and the changeover relay coil. The reversing valve solenoid and the changeover relay coil are energized and stay energized until the system switch of the wall thermostat is moved from the cool position (to OFF, HEAT or EM. HEAT).

When the cooling bulb makes, the Y circuit is energized and follows the path described above for first stage heating. The compressor runs and, since the reversing valve is energized, the unit is in cooling.

#### 5. Check Light

If the Y circuit to the contactor coil is interrupted because the high (low) pressure switch opens, the Y circuit takes the path of least resistance at the lockout relay and goes from 4 to 3 of the lockout relay and the lockout relay coil is energized. The lockout relay coil will remain energized until the Y circuit is broken either by moving the system switch to OFF or by satisfying the first stage heating/cooling bulb. The Y circuit then takes the same path as described above, first stage heating (namely, in heating, from lockout relay terminals 4 to 2--now closed--to normally closed contacts 5 and 6 of the changeover relay to terminal V and then to the gas valve; in cooling normally closed contacts 5 and 6 of the changeover relay are open--coil energized--and the circuit to the gas valve is broken.

When refrigerant pressures equalize, the high (low) pressure switch automatically resets (pressure switch contacts close). However, the compressor contactor coil circuit is still interrupted at the lockout relay (terminal 4 and 5 open). The Y circuit is connected to X2 of the wall thermostat through a jumper. X2 of the thermostat is internally connected to L through the check light of the wall thermostat.

The check light circuit may be traced as follows: R through the heating/cooling bulb to Y. Y to X2 through the check light to L. L of the wall thermostat to L of the compressor section to 5 of the lockout relay (4 to 5 of the lockout relay open due to function of the high (low) pressure switch and lockout relay). Terminal 5 of the lockout relay to one side of the low pressure switch. Low pressure switch (refrigerant pressure equalized and pressure switch reset in closed position) to the high pressure switch (also closed or reset and closed) to 5 and 6 of the Fossil Fuel Relay and then to the contactor coil as a wire and back to the common side of the transformer. The check light circuit is complete and the light is on.

The check light does not come on until the lockout relay coil is energized, breaking the Y circuit at terminals 4 and 4 of the lockout relay. The check light will remain energized until the lockout relay is de-energized--system switch moved to OFF or the heat/cool thermostat bulb is satisfied.

### IV. SYSTEM START UP PROCEDURE

1. Be sure main power to the unit is OFF at the disconnect.
2. Set thermostat system switch to OFF, fan switch to AUTO.
3. Move main power disconnect to ON. Power should be on to unit for a minimum of four hours or sixty minutes per pound of refrigerant. This allows the crankcase heater to drive any refrigerant liquid out of the compressor sump. This procedure should be followed whenever the power has been off for twelve hours or longer. Except as required for safety while servicing--DO NOT OPEN THE UNIT DISCONNECT SWITCH.

4. Check system air flow for obstructions.
  - A. Move thermostat fan switch to ON. Blower runs.
  - B. Be sure all registers and grilles are open.
  - C. Move thermostat fan switch to AUTO. Blower should stop.
5. Fully open the manual inlet and outlet valves.
6. Check water flow.
  - A. Connect a water flow meter to the drain cock (12, Figure 2) between the constant flow valve and the solenoid valve. Run a hose from the flow meter to a drain or sink. Open the drain cock.
  - B. Check the water flow rate through constant flow valve to be sure it is the same as the unit is rated for.

Example: 5 GPM for a WQS30

- C. When water flow is okay, close drain cock and remove the water flow meter. The unit is now ready to start.
7. Start the unit in cooling mode. ① By moving the thermostat switch to cool, fan should be set for AUTO.
8. Check the system refrigerant pressures against the cooling refrigerant pressure Table No. 17, Page 19 in the installation manual for rated water flow and entering water temperatures. If the refrigerant pressures do not match, check for air flow problem then refrigeration system problem.
9. Switch the unit to the heating mode. ① By moving the thermostat switch to heat, fan should be set for AUTO.
  - A. Check to see the solenoid valve opened again.
10. Check the refrigerant system pressures against the heating refrigerant pressure Table No. 18, Page 20 in installation manual. Once again, if they do not match, check for air flow problems and then refrigeration system problems.

NOTE: If a charge problem is determined (high or low):

- A. Check for possible refrigerant leaks.
- B. Discharge all remaining refrigerant from unit.
- C. Evacuate unit down to 29 inches of vacuum.
- D. Recharge the unit with refrigerant by weight. This is the only way to insure a proper charge in cap tube system.

① For models with domestic hot water heat exchanger, be sure the water pump switch is off while checking refrigerant system.

# UNIT WITH HEAT RECOVERY FOR HEATING DOMESTIC HOT WATER--WQSD SERIES

## V. GENERAL

Units having a heat recovery coil should only be installed by trained refrigeration technicians. These instructions serve as a guide to the technician installing the heat recovery portion of the unit. They are not intended as a step-by-step procedure with which the mechanically inclined owner can install the unit.

### Description

Units with the heat recovery coil mounted at the factory are designed to recover the "waste" heat from the compressor discharge gas and use this "Waste" heat to heat domestic hot water. Units so equipped may be identified by the letter "D" in the model number. In addition to the components already described for the heat pump, these units are equipped with an additional water-to-refrigerant coil, a circulating pump and a thermostat to control the operation of the circulating pump. The water-to-refrigerant coil is constructed of two tubes. Water flows through the center tube, refrigerant flows through a surrounding tube, totally separated from the water tube. The space between these two tubes is vented to atmosphere. In the unlikely event a leak should develop, no leakage can occur between the water and the refrigerant.

## VI. INSTALLATION

1. **TWO TANK.** In order to realize the maximum energy savings from the domestic hot water heat recovery unit, it is recommended that a second water storage tank be installed in addition to the main hot water heater. Fossil fuel fired water heaters must be a two tank installation. If the existing water heater is electric, the two tank installation is still the best approach, however, a one tank installation is satisfactory. Tanks specifically intended for hot water storage are available from water heater manufacturers (solar hot water storage tanks). These tanks have special dip tube arrangements, are built without heaters and are constructed with heavier insulation. However, a well insulated electric water heater without the electric heating elements connected will also make a suitable storage tank.

The size of this tank should be as large as space and economy permit but in no event should it be less than one-half of the daily water requirements for the occupants. As a guide in estimating the daily family water requirements, the Department of Energy recommends a figure of 16.07 gallons of hot water per day per individual. For example, a family of four would require 64.3 gallons per day (4 x 16.07).

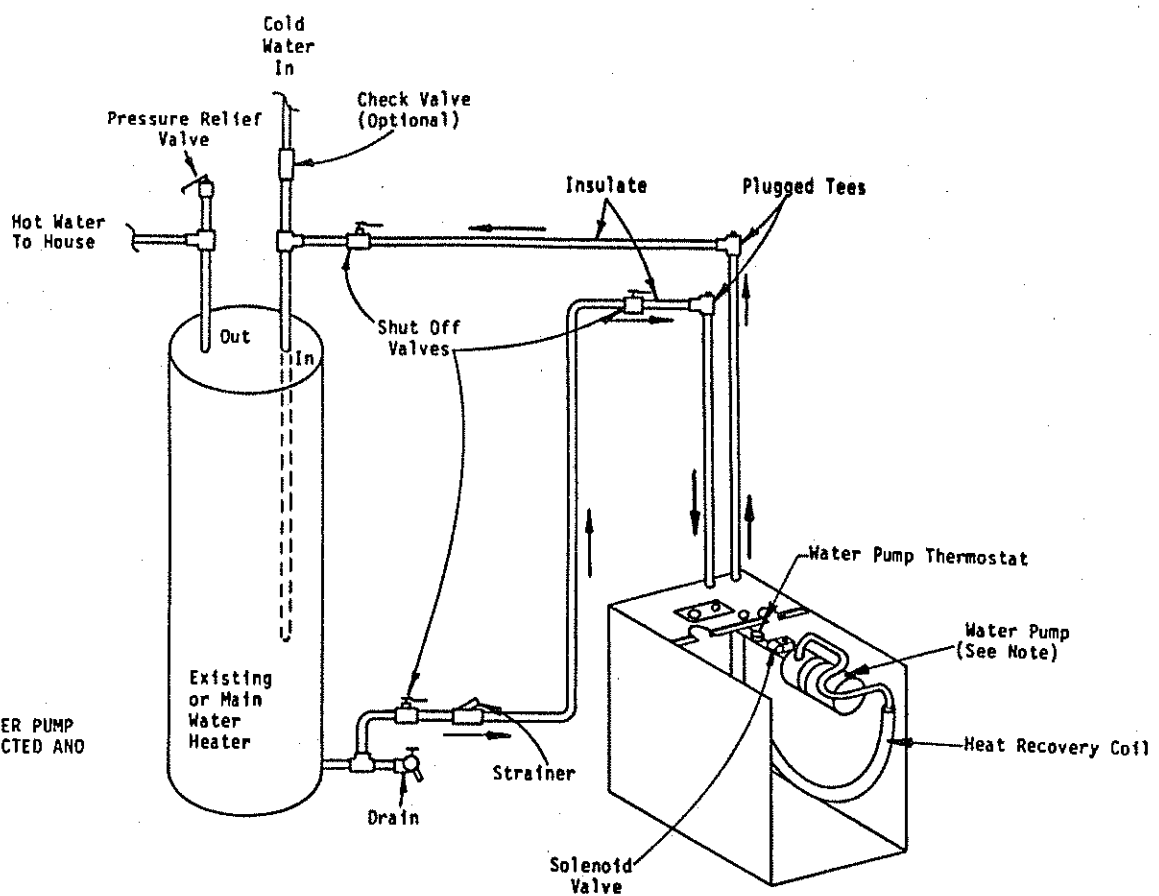
2. **ONE TANK.** Where space or first cost economy dictates only one hot water heater, a single tank installation is permissible. It should be noted, however, that the amount of savings realized is reduced.

The single hot water tank may be a new hot water heater (sized in this case to 100 percent of daily water requirements) or the existing water heater in the case of retrofit installation. The existing hot water heater should be carefully inspected and any sediment removed by draining the water heater and flushing it until all loose sediment has been flushed away. This sediment, besides cutting down on the efficiency of the water heater and heat recovery unit, could damage the circulating pump, or clog the strainer and stop water flow.

### Location

In determining the location of the storage tank (and the water heater) keep in mind that small temperature differences between the storage tank water temperature and the refrigerant temperature permit this unit to function. It is consequently necessary that all tubing be kept as short and direct as possible and that the tubing be adequately and thoroughly insulated.

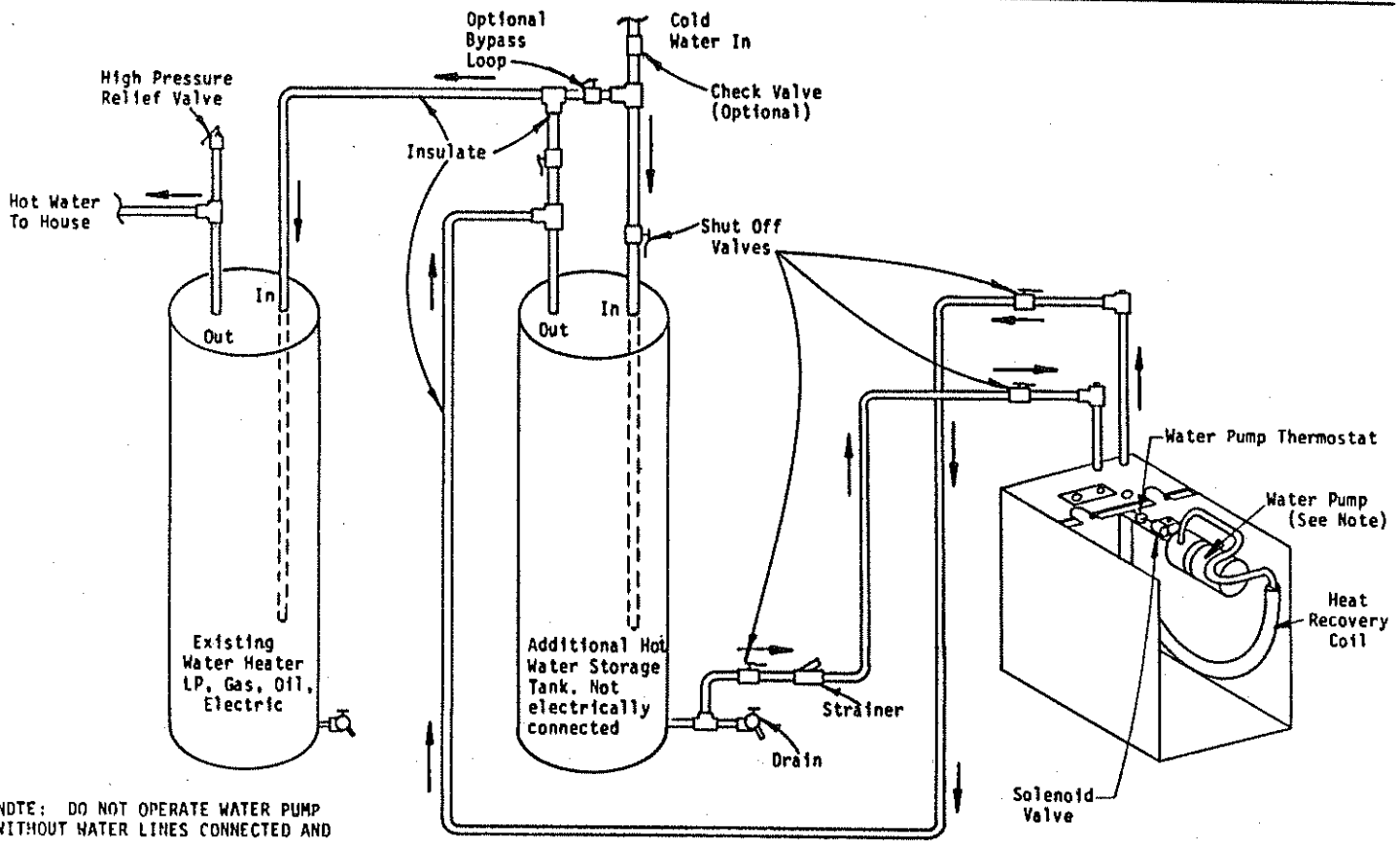
Locate the storage tank as close to the heat pump and water heater as the installation permits. Be sure to provide adequate service access to all components.



NOTE: DO NOT OPERATE WATER PUMP WITHOUT WATER LINES CONNECTED AND WATER IN SYSTEM.

TYPICAL "WQSD" MODEL  
ONE TANK INSTALLATION  
(PERMISSIBLE)

FIGURE 3



NOTE: DO NOT OPERATE WATER PUMP WITHOUT WATER LINES CONNECTED AND WATER IN SYSTEM.

TYPICAL "WQSD" MODEL  
TWO TANK INSTALLATION  
(PREFERRED)

FIGURE 4

## Installation Procedure--General

1. Turn off the water heater electric power (if electric hot water heater) or close the fuel supply line (if fossil fuel water heater).
2. Turn off the electric power to the water source heat pump.
3. Shut off the main water supply line by closing the water valve at the well pressure tank (if a well system) or the water meter (if city water is being used for domestic purposes).
4. Connect a garden hose to the water heater drain valve (bottom of the water heater tank) and drain the water heater to a floor drain or other convenient drain.
5. If the water heater has been in service for some time, inspect it for sediment. Remove all sediment and thoroughly flush the water heater tank.

## Water Piping

Two tank installations refer to Piping Diagram, Figure 4 and Steps 1 to 3, and Two Tank installation instructions. One tank installation, refer to Piping Diagram, Figure 3 and Steps 1 to 3 and One Tank installation instructions. Follow all local plumbing codes. Piping connections are 1/2 inch O.D. copper pipe, Type K or L, and are made inside the unit. Route the copper through the top of the heat pump through the holes provided.

1. A plugged tee and shut off valve should be provided near the heat pump unit. This will make it easy if it ever becomes necessary to clean the desuperheater coil. A suitable cleaner is mentioned below, "Water Corrosion" section. The shut off valves will isolate the unit from the rest of the plumbing and the plugged tees will provide access to the coil and pump for the cleaner.
2. A strainer is included in both figures to collect any sediment which may accumulate in the storage tank or water heater. This strainer should be of the cleanable "Y" type. It is more important that the strainer be included on one tank retrofit installation where the hot water heater may be suspected of sedimentation.
3. A check valve is shown in both figures as an option. The purpose of the check valve is to prevent any contamination of the water system in the unlikely event that the heat exchanger develops a leak. Check the local plumbing code as this check valve may be required.

## Two Tank Installation--Figure 4

1. Water into the heat recovery unit is taken from the bottom of the storage tank. This location will insure that the coldest water will always be circulated to the recovery unit.
2. If a solar type water storage tank is being used (specifically designed for storing but not heating water), insert the dip tubes according to the manufacturer's instructions.
3. If a second water heater is being used for storage, install a pipe thread tee and a suitably sized pipe nipple in the water heater drain connection (bottom of the tank). The run of the tee is connected between the water heater and a drain valve. Brass or bronze fittings are recommended for these fittings. Check the local plumbing code--brass or bronze may be required. The branch of the tee is connected to the recovery unit "water in" copper tube. Use a pipe thread to sweat adapter to connect the tubing between the tee and recovery unit.
4. The "water out" tubing from the recovery unit is connected through a tee to the storage tank and to the normal "water in" of the main water heater.

5. Cold water into the storage tank is connected to the "water in" of the storage tank.
6. An optional bypass loop with valve is shown in Figure 4 between the water into the storage tank and the "water out" of the storage tank. The loop will make future service work easier should it become necessary to drain the storage tank. In normal operation the valve in the bypass loop should be closed.

### One Tank Installation--Figure 3

#### NOT RECOMMENDED FOR FOSSIL FUEL FIRED WATER HEATER

1. Unless the single hot water heater is new, it should be thoroughly inspected and cleaned of sediment. Flush the tank several times and inspect it after each flushing. Be sure the tank is free of sedimentation.
2. Water from the hot water heater is connected to the domestic hot water supply as any conventional hot water heater would be connected.
3. Water to the heat recovery unit is connected through a tee at the drain valve connection of the hot water heater as described in step 3 above.
4. Water from the recovery unit is connected at the "water in" connection of the hot water heater through a tee.

### VII. OPERATION OF THE HEAT RECOVERY UNIT

The circulating pump and solenoid valve are wired in parallel with the heat pump compressor (230 VAC circuit). Thus, no water can be circulated to the water-to-refrigerant coil unless the compressor is in operation.

In addition, a thermostat, attached to the entering water tube of the pump, is wired in series with the pump motor and solenoid valve. The thermostat is normally closed and opens when the tube temperature reaches 150 degree F. This will stop further heating of the water by the recovery unit and is intended to prevent overheating the water. The thermostat will reset at approximately 120 degree F.

Heat for domestic hot water is obtained from the discharge gas of the compressor. This heat would ordinarily be rejected to the ground water in the cooling mode or to the room air in the heating mode. With the recovery unit this heat is transferred to the storage tank or water heater.

### VIII. START UP AND CHECK OUT

1. Be sure all shut off valves are open. If optional bypass valve, see Figure 4, has been installed, this valve should be closed.
2. Open a hot water faucet to permit any air to bleed from the plumbing.
3. Turn off the heat pump disconnect.
4. Temporarily remove compressor wire from load side of contactor and insulate.
5. Turn heat pump disconnect ON.
6. Set the wall thermostat to cool.
7. Inspect for water leaks and verify pump is operating.
8. Again turn off the heat pump disconnect.



9. Reinstall compressor wire on compressor contactor terminal.
10. Repeat Steps 5 and 6. Feel the "water in" and "water out" tubes. There should be a noticeable temperature difference. How much temperature difference you measure will depend upon tubing length, flow rate, storage tank temperature and could vary from 2 degree F to 20 degree F.
11. Move thermostat system to OFF. Verify that water pump stops.

## IX. WATER CORROSION

Two concerns will immediately come to light when considering a water source heat pump, whether for ground water or for a closed loop application: Will there be enough water? And, how will the water quality affect the system?

Water quantity is an important consideration and one which is easily determined. The well driller must perform a pump down test on the well according to methods described by the National Well Water Association. This test, if performed correctly, will provide information on the rate of flow and on the capacity of the well. It is important to consider the overall capacity of the well when thinking about a water source heat pump because the heat pump may be required to run for extended periods of time.

The second concern, about water quality, is equally important. Generally speaking, if the water is not offensive for drinking purposes, it should pose no problem for the heat pump. The well driller or local water softening company can perform tests which will determine the chemical properties of the well water.

Water quality problems will show up in the heat pump in one or more of the following ways:

1. Decrease in water flow through the unit.
2. Decreased heat transfer of the water coil (entering to leaving water temperature difference is less).

There are four main water quality problems associated with ground water. These are:

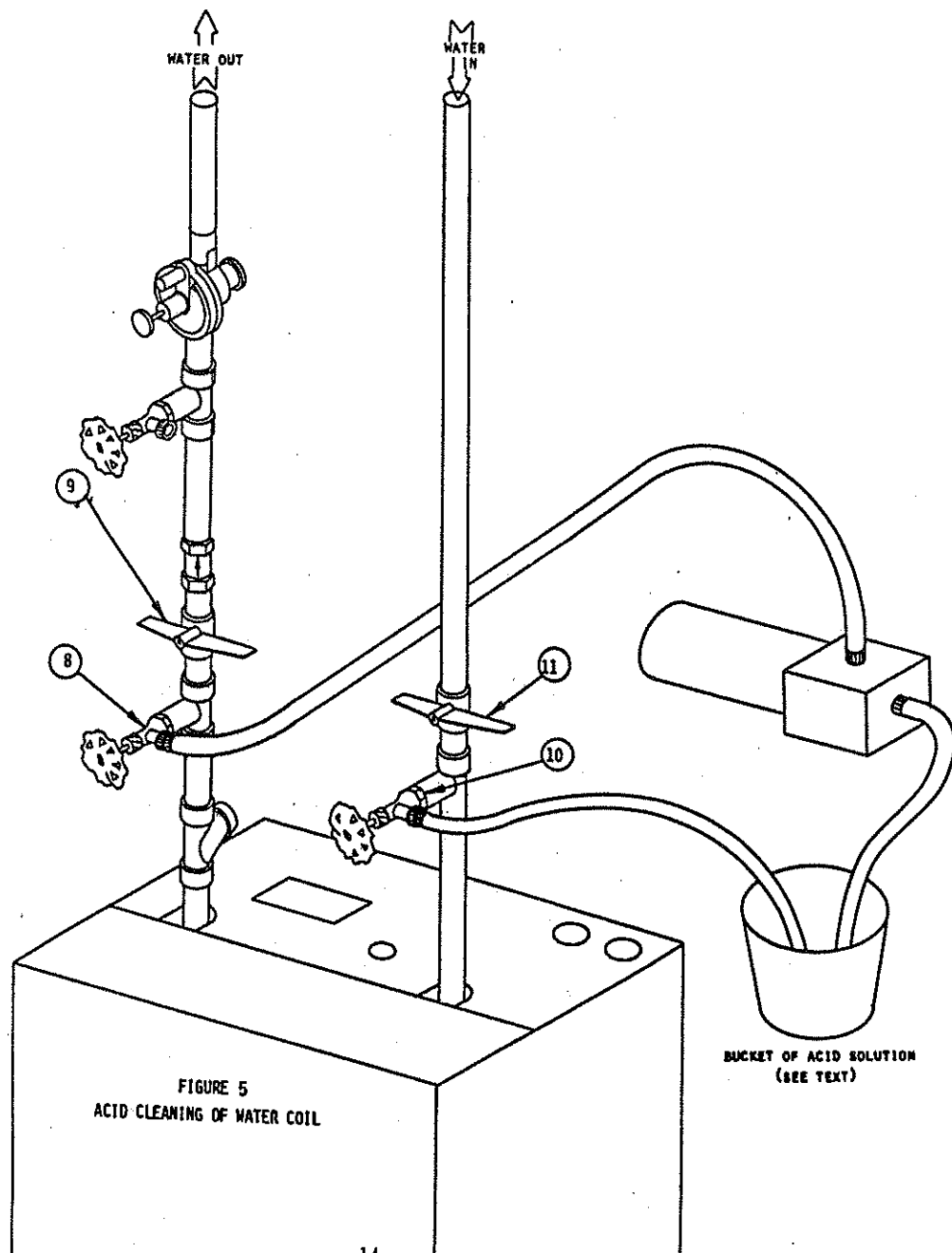
1. **BIOLOGICAL GROWTH.** This is the growth of microscopic organisms in the water and will show up as a slimy deposit throughout the water system. Shock treatment of the well is usually required and this is best left up to the well driller. The treatment consists of injecting chlorine into the well casing and flushing the system until all growth is removed.
2. **SUSPENDED PARTICLES IN THE WATER.** filtering will usually remove most suspended particles (fine sand, small gravel) from the water. The problem with suspended particles in the water is that it will erode metal parts, pumps, heat transfer coils, etc. So long as the filter is cleaned and periodically maintained, suspended particles should pose no serious problem. Consult with your well driller.
3. **CORROSION OF METAL.** Corrosion of metal parts results from either highly corrosive water (acid water, generally not the case with ground water) or galvanic reaction between dissimilar metals in the presence of water. By using plastic plumbing or di-electric unions galvanic reaction is eliminated. The use of corrosion resistant materials (such as the Cupro Nickel coil) throughout the water system will reduce corrosion problems significantly.
4. **SCALE FORMATION.** Of all the water problems, the formation of scale by ground water is by far the most common. Usually this scale is due to the formation of calcium carbonate but magnesium carbonate or calcium sulfate may also be present. Carbon dioxide gas (CO<sub>2</sub>), the carbonate of calcium and magnesium carbonate, is very soluble in water. It will remain dissolved in the water until some outside factor upsets the balance. This outside influence may be a large change in water temperature or pressure. When this happens, enough carbon dioxide gas combines with dissolved calcium or magnesium in the water and falls out of solution until a new balance is reached. The change in temperature that this heat pump produces is usually not high enough to cause the dissolved gas to fall out of solution. Likewise if pressure drops are kept to a reasonable level, no precipitation of carbon dioxide should occur.

## X. REMEDIES OF WATER PROBLEMS

**WATER TREATMENT.** Water treatment can usually be economically justified for closed loop systems. However, because of the large amounts of water involved with a ground water heat pump, water treatment is generally too expensive.

**ACID CLEANING THE WATER COIL OR HEAT RECOVERY UNIT.** If scaling of the coil is strongly suspected, the coil can be cleaned up with a solution of Phosphoric Acid (food grade acid). Follow the manufacturer's directions for mixing, use, etc. Refer to the "Cleaning Water Coil", Figure 5. The acid solution can be introduced into the heat pump coil through the hose bib (Part 8 of Figure 5). Be sure the isolation valves (Parts 9 and 11 of Figure 5) are closed to prevent contamination of the rest of the system by the coil. The acid should be pumped from a bucket into the hose bib (Part 8, Figure 5) and returned to the bucket through the other hose bib (part 10, Figure 5). Follow the manufacturer's directions for the product used as to how long the solution is to be circulated, but it is usually circulated for a period of several hours.

FIGURE 5



LEGEND

EWT = Entering water temperature F. (or fluid temperature if applicable)  
 GPM = Water flow rate--gallons per minute  
 WPD = Water pressure drop--pounds/square inch  
 EAT = Entering air temperature F (dry bulb/wet bulb)  
 TC = Total cooling capacity Btu/Hr  
 SC = Sensible cooling capacity Btu/Hr  
 THR = Total heat of rejection Btu/Hr  
 EER = Energy efficiency ratio--total cooling ÷ total unit watts  
 TH = Total heating capacity Btu/Hr  
 THA = Total heat of absorption Btu/Hr  
 COP = Coefficient of performance--total heating ÷ (total unit watts x 3.413)  
 ESP = External static pressure (inches of water)

TABLE 2  
CAPACITY AND EFFICIENCY APPLICATION RATINGS

WSSO, WSSD30 w/RS35B @ 1150 CFM		COOLING						HEATING			
EWT	GPM	WPD	EAT	TC	SC	THR	EER	EAT	TH	THA	COP
45	5.0	3.5	75/62	29300	20300	35600	14.7	70	26800	18500	3.23
			80/67	31200	20900	37900	15.2				
			85/72	34300	22000	41600	16.2				
50	5.0	3.5	75/62	29100	20700	35900	14.2	70	28000	19600	3.32
			80/67	31000	21300	38200	14.6				
			85/72	34100	22400	42000	15.6				
55	5.0	3.5	75/62	29200	21100	36300	13.6	70	29300	20700	3.40
			80/67	31100	21700	38600	14.0				
			85/72	34200	22800	42400	14.9				
60	5.0	3.5	75/62	29300	21500	36600	13.1	70	30500	21800	3.49
			80/67	31200	22100	38900	13.5				
			85/72	34300	23200	42800	14.3				
65	5.0	3.5	75/62	29200	21800	36900	12.5	70	31800	22900	3.58
			80/67	31100	22500	39300	12.9				
			85/72	34200	23600	43200	13.7				
70	5.0	3.5	75/62	29100	22200	37200	11.9	70	33000	24000	3.66
			80/67	31000	22900	39600	12.3				
			85/72	34100	24000	43600	13.1				
75	5.0	3.5	75/62	29000	22600	37500	11.3	70	34300	25100	3.75
			80/67	29800	23300	40000	11.7				
			85/72	32800	24400	44000	12.5				

TABLE 3  
CAPACITY AND EFFICIENCY APPLICATION RATINGS

WSSO, WSSD30 w/RS35B @ 1150 CFM		COOLING						HEATING			
EWT	GPM	WPD	EAT	TC	SC	THR	EER	EAT	TH	THA	COP
45	5.0	3.5	75/62	30600	19400	37000	15.4	70	26800	18900	3.38
			80/67	32500	19900	39400	15.9				
			85/72	35800	20900	43300	16.9				
50	5.0	3.5	75/62	30100	19800	36800	14.6	70	28000	19800	3.42
			80/67	32000	20400	39200	15.1				
			85/72	35200	21400	43100	16.0				
55	5.0	3.5	75/62	29600	20200	36700	14.0	70	29200	20800	3.46
			80/67	31500	20900	39000	14.4				
			85/72	34700	21900	42900	15.3				
60	5.0	3.5	75/62	29100	20700	36600	13.2	70	30400	21700	3.50
			80/67	31000	21400	38900	13.6				
			85/72	34100	22400	42800	14.4				
65	5.0	3.5	75/62	28700	21100	36400	12.5	70	31600	22700	3.53
			80/67	30600	21800	38700	12.9				
			85/72	33600	22900	42600	13.7				
70	5.0	3.5	75/62	28200	21600	36200	11.7	70	32800	23600	3.57
			80/67	30000	22300	38500	12.1				
			85/72	33000	23400	42400	12.9				
75	5.0	3.5	75/62	27700	22100	36000	11.1	70	34000	24600	3.61
			80/67	29900	22800	38300	11.4				
			85/72	32500	23900	42100	12.1				

① Unit only.

TABLE 4  
CAPACITY AND EFFICIENCY APPLICATION RATINGS

MCS36, MCD36 w/BC358 @ 1150 CFM						COOLING						HEATING			
BMT	CFM	WPD	BAT	TC	SC	THR	ERK	EAT	TH	THA	COP	BAT	TH	THA	COP
45	5.0	2.0	75/62 80/67 85/72	35100 37300 41000	22500 23200 24400	43100 45800 50100	14.2 14.6 15.5	70	32100	23300	3.00	70	32100	23300	3.00
50	5.0	2.0	75/62 80/67 85/72	34800 37000 40700	22600 23300 24500	43200 46000 50600	13.7 14.1 14.9	70	34600	24600	3.10	70	34600	24600	3.10
55	5.0	2.0	75/62 80/67 85/72	34700 36900 40600	22700 23400 24600	43400 46200 50800	13.2 13.6 14.4	70	35900	25900	3.21	70	35900	25900	3.21
60	5.0	2.0	75/62 80/67 85/72	34500 36700 40400	22900 23600 24800	43600 46400 51000	12.7 13.1 13.9	70	37800	27200	3.32	70	37800	27200	3.32
65	5.0	2.0	75/62 80/67 85/72	34400 36600 40300	23000 23700 24900	43700 46500 51200	12.1 12.5 13.3	70	39600	28500	3.43	70	39600	28500	3.43
70	5.0	2.0	75/62 80/67 85/72	34200 36400 40100	23100 23800 25000	43900 46700 51400	11.6 12.0 12.7	70	41500	29800	3.54	70	41500	29800	3.54
75	5.0	2.0	75/62 80/67 85/72	34100 36300 39900	23200 23900 25100	44100 46900 51600	11.2 11.5 12.2	70	43400	31100	3.65	70	43400	31100	3.65

TABLE 5  
CAPACITY AND EFFICIENCY APPLICATION RATINGS

MCS36, MCD36 w/BAQ1 @ 1200 CFM						COOLING						HEATING			
BMT	CFM	WPD	BAT	TC	SC	THR	ERK	EAT	TH	THA	COP	BAT	TH	THA	COP
45	5.0	2.0	75/62 80/67 85/72	33400 35500 39100	23100 23700 24900	41800 44500 49000	13.0 13.3 14.2	70	31300	20500	2.90	70	31300	20500	2.90
50	5.0	2.0	75/62 80/67 85/72	33500 35600 39200	23500 24200 25400	42300 45000 49500	12.6 12.9 13.8	70	33000	22100	3.03	70	33000	22100	3.03
55	5.0	2.0	75/62 80/67 85/72	33600 35700 39300	24000 24700 25900	42800 45500 50100	12.2 12.5 13.3	70	34800	23800	3.16	70	34800	23800	3.16
60	5.0	2.0	75/62 80/67 85/72	33600 35800 39400	24300 25000 26400	43200 46000 50600	11.8 12.1 12.9	70	36500	25400	3.29	70	36500	25400	3.29
65	5.0	2.0	75/62 80/67 85/72	33700 35900 39500	24900 25600 26900	43700 46500 51200	11.3 11.7 12.5	70	38300	27100	3.42	70	38300	27100	3.42
70	5.0	2.0	75/62 80/67 85/72	33800 36000 39600	25300 26100 27400	44200 47000 51700	10.9 11.25 12.0	70	40000	28700	3.55	70	40000	28700	3.55
75	5.0	2.0	75/62 80/67 85/72	33900 36100 39700	25800 26600 27900	44700 47500 52300	10.5 10.8 11.6	70	41800	30400	3.68	70	41800	30400	3.68

TABLE 6  
CAPACITY AND EFFICIENCY APPLICATION RATINGS

MCS50, MCD50 w/BAQ1 @ 1625 CFM						COOLING						HEATING			
BMT	CFM	WPD	BAT	TC	SC	THR	ERK	EAT	TH	THA	COP	BAT	TH	THA	COP
45	6.0	2.0	75/62 80/67 85/72	46200 49100 54000	30000 31000 32500	57200 60900 66900	14.2 14.6 15.5	70	42300	29500	3.31	70	42300	29500	3.31
50	6.0	2.0	75/62 80/67 85/72	46500 49500 54500	31100 32100 33700	57600 61300 67400	13.7 14.1 14.9	70	43500	30500	3.34	70	43500	30500	3.34
55	6.0	2.0	75/62 80/67 85/72	47000 50000 55000	32200 33200 34900	58000 61800 67900	13.2 13.6 14.4	70	44800	31500	3.36	70	44800	31500	3.36
60	6.0	2.0	75/62 80/67 85/72	46900 49900 54900	33300 34300 36100	58500 62200 68400	12.8 13.2 14.0	70	46000	32500	3.38	70	46000	32500	3.38
65	6.0	2.0	75/62 80/67 85/72	46800 49800 54800	34400 35400 37200	58900 62700 68900	12.3 12.7 13.5	70	47300	33400	3.40	70	47300	33400	3.40
70	6.0	2.0	75/62 80/67 85/72	46500 49500 54500	35500 36600 38400	59300 63100 69400	11.8 12.2 12.9	70	48500	34400	3.43	70	48500	34400	3.43
75	6.0	2.0	75/62 80/67 85/72	44900 47800 52600	36600 37700 39600	59700 63600 69900	11.3 11.7 12.4	70	49800	35400	3.45	70	49800	35400	3.45

TABLE 7  
CAPACITY AND EFFICIENCY APPLICATION RATINGS

MCS50, MCD50 w/BAQ1 @ 1650 CFM						COOLING						HEATING			
BMT	CFM	WPD	BAT	TC	SC	THR	ERK	EAT	TH	THA	COP	BAT	TH	THA	COP
45	6.0	2.0	75/62 80/67 85/72	46200 49100 54000	30000 31000 32600	59700 63500 69800	13.6 14.0 14.8	70	42800	29600	3.23	70	42800	29600	3.23
50	6.0	2.0	75/62 80/67 85/72	46500 49500 54500	30800 31800 33400	59300 63100 69400	13.1 13.5 14.3	70	44000	30600	3.28	70	44000	30600	3.28
55	6.0	2.0	75/62 80/67 85/72	47000 50000 55000	31600 32600 34300	59900 62700 69000	12.7 13.1 13.9	70	45200	31700	3.32	70	45200	31700	3.32
60	6.0	2.0	75/62 80/67 85/72	46900 49900 54900	32700 33700 35400	58600 62400 68700	12.2 12.6 13.4	70	46500	32700	3.37	70	46500	32700	3.37
65	6.0	2.0	75/62 80/67 85/72	46800 49800 54800	33800 34800 36500	58200 62000 68300	11.8 12.2 12.9	70	47800	33800	3.40	70	47800	33800	3.40
70	6.0	2.0	75/62 80/67 85/72	46500 49500 54500	34900 35900 37700	57800 61600 67900	11.3 11.7 12.4	70	49000	34800	3.45	70	49000	34800	3.45
75	6.0	2.0	75/62 80/67 85/72	44900 47800 52600	36000 37000 38900	57400 61200 67500	11.0 11.3 12.0	70	50300	35900	3.49	70	50300	35900	3.49

TABLE 9  
CORRECTION FACTORS FOR  
PERFORMANCE AT OTHER WATER FLOWS

Rated Flow Plus--GPM	HEATING		COOLING	
	BTUH	WATTS	BTUH	WATTS
2	1.00	98	1.01	1.00
4	1.01	97	1.03	1.01
6	1.02	96	1.05	1.02
8	1.02	95	1.06	1.02

TABLE 8  
Capacity Multiplier Factors

% of Rated Air Flow	-10	Rated	+10
Total Btuh	0.975	1.0	1.02
Sensible Btuh	.95	1.0	1.05

TABLE 10  
ARI CERTIFIED PERFORMANCE RATINGS

Model	CFM/ ESP	GPM	COOLING*				HEATING*			
			70 F. EWT		50 F. EWT		70 F. EWT		50 F. EWT	
			BTU/HR	EER	BTU/HR	EER	BTU/HR	COP	BTU/HR	COP
① WQS30/WQSD30 w/BC35B	1150/.44	5.0	30000	10.5	32000	12.5	32800	3.3	28000	2.9
① WQS30/WQSD30 w/H3AQ1	1150/.44	5.0	31000	10.7	31000	12.4	33000	3.2	28000	2.8
① WQS36/WQSD36 w/BC35B	1150/.40	5.0	36400	10.7	37000	12.1	41500	3.2	34000	2.8
① WQS36/WQSD36 w/H3AQ1	1200/.30	5.0	36000	10.0	35600	11.5	40000	3.2	33000	2.8
② WQS50/WQSD50 w/BC48A	1650/.45	6.0	49500	10.6	49500	12.1	49000	3.1	44000	3.0
② WQS50/WQSD50 w/H4AQ1	1625/.30	6.0	49500	11.0	49500	12.5	48500	3.1	43500	3.0

① For units operating at 208V, deduct 400 Btu from capacity ratings.

② For units operating at 208V, deduct 500 Btu from capacity ratings.

\*Rated in accordance with ARI standard 325, "Standard for Ground Water Source Heat Pumps", which includes Watt allowance for water pumping.

Cooling capacity based on 80 degree F. DB 67 degree WB entering air temperature.

Heating capacity based on 70 degree DB entering air temperature.

TABLE 11

ADD-ON COMPONENT SELECTION LIST					
Heat Pump Compressor Section	Coil Section	W/Furnace Type	Bard Part No.	Parts Needed	
				Qty.	Description
WQS30, WQSD30 WQS36, WQSD36 WQS50, WQSD50	H3AQ1 H4AQ1	Gas	8403-017	1	T874R1129 Thermostat
			8404-009	1	Q674L1181 Subbase
WQS30, WQSD30 WQS36, WQSD36 WQS50, WQSD50	H3AQ1 H4AQ1	Oil	8403-017	1	T874R1129 Thermostat
			8201-015	1	Isolating Relay
WQS30, WQSD30 WQS36, WQSD36 WQS50, WQSD50	H3AQ1 H4AQ1	Electric	8403-017	1	T874R1129 Thermostat
			8404-009	1	Q674L1181 Subbase
WQS30, WQSD30 WQS36, WQSD36 WQS50, WQSD50	BC35B BC48A	*None	8403-017	1	T874R1129 Thermostat
			8404-009	1	Q674L1181 Subbase

TABLE 12  
CONSTANT FLOW VALVES

Part No.	Min. Available Pressure PSIG	Flow Rate GPM
8603-011	15*	5
8603-007	15*	6

\*The pressure drop through the constant flow valve will vary depending on the available pressure ahead of the valve. Unless a minimum of 15 psig is available immediately ahead of the valve, no water will flow.

TABLE 14  
RATED EVAPORATOR AIR FLOW  
CFM/ESP WET COIL

Model No.	WQS30 WQSD36	WQS36 WQSD36	WQS50 WQSD50
H3AQ1	1150/.44	1200/.30	--
H4AQ1	--	--	1625/.30
BC35B	1150/.44 ESP	1150/.44 ESP	--
BC48A	--	--	1650/.45
RECOMMENDED AIR FLOW RANGE--CFM			
	980 - 1250	1025 - 1375	1500 - 1885

TABLE 16  
WATER COIL RATED FLOW

Model	GPM
WQS30, WQSD30 WQS36, WQSD36	5
WQS50, WQSD50	6

TABLE 13  
BLOWER COIL PERFORMANCE ④  
CFM--Dry Coil with Filter

E.S.P. in H2O	B36EHQ1		BC48A* Low/High 230V
	Low/High ③ Upflow Horizontal	Low/High ③ Counterflow	
	.00	1213/1400	1216/1360
.10	1180/1355	1159/1290	1775/1965
.20	1141/1292	1109/1223	1725/1885
.30	1090/1229	1052/1152	1670/1810
.40	1037/1163	933/1092	1585/1715
.50	956/1093	772/922	1500/1615
.60	760/942	652/743	1420/1520

- ① Values shown are standard for both bottom and side return air opening.
- ② Values shown are standard for bottom return air opening, side return air opening not available for counterflow.
- ③ Reduce airflow values shown by 130 CFM for 208 volt operation.
- ④ For wet coil CFM multiply by .96
- \*Reduce E.S.P. by .10 with RA45 return air plenum with one opening. By .05 for horizontal and downflow installations.

TABLE 15  
WATER COIL PRESSURE DROP

Model	WQS30-WQSD30		WQS36-WQSD36		WQS50-WQSD50	
	GPM	Psig	Ft. Hd	Psig	Ft. Hd	Psig
4	2.0	4.6	1.9	4.4	--	--
5	3.0	6.9	2.0	4.6	--	--
6	4.2	10.0	2.4	5.5	2.5	5.8
7	5.7	13.1	3.0	6.9	3.2	7.4
8	7.5	17.3	3.9	9.0	4.0	9.2
9	9.5	21.9	5.5	12.7	5.2	12.0
10	12.0	27.7	7.6	17.5	6.5	15.0
11	14.8	34.1	10.4	24.0	7.7	17.8
12	17.6	40.6	15.3	35.3	9.0	20.8
13	20.3	46.8	20.6	47.5	10.5	24.2

COOLING

TABLE 17  
Water Temperature Entering Water Coil F

Model	Return Air Temperature	Pressure	°								
			45	50	55	60	65	70	75	80	
WQS30, WQSD30 w/BC35B	75 deg. DB	Low Side	63	65	67	70	72	74	76	79	
	62 deg. WB	High Side	130	141	152	163	174	185	196	207	
	Rated Flow	80 deg. DB	Low Side	68	70	72	75	77	79	81	84
	Rate GPM 5.0	67 deg. WB	High Side	134	145	156	168	179	190	201	213
	Rated CFM	85 deg. DB	Low Side	73	75	78	80	83	85	88	90
	1150	72 deg. WB	High Side	138	150	162	174	185	197	209	221
WQS30, WQSD30 w/H3AQ1	75 deg. DB	Low Side	65	66	68	69	71	72	74	75	
	62 deg. WB	High Side	128	139	150	162	173	184	195	207	
	Rated Flow	80 deg. DB	Low Side	70	71	73	74	76	77	79	80
	Rate GPM 5.0	67 deg. WB	High Side	132	143	155	166	178	189	189	212
	Rated CFM	85 deg. DB	Low Side	74	76	78	80	81	83	85	87
	1150	72 deg. WB	High Side	136	148	160	172	184	196	208	220
WQS36, WQSD36 w/BC35B	75 deg. DB	Low Side	56	58	60	62	63	65	67	69	
	62 deg. WB	High Side	146	158	170	183	195	207	219	232	
	Rated Flow	80 deg. DB	Low Side	60	62	64	66	68	70	72	74
	Rate GPM 5.0	67 deg. WB	High Side	150	162	175	187	200	212	225	237
	Rated CFM	85 deg. DB	Low Side	65	67	69	71	73	75	77	79
	1150	72 deg. WB	High Side	158	168	178	189	199	209	219	230
WQS36, WQSD36 w/H3AQ1	75 deg. DB	Low Side	60	62	64	66	68	70	72	74	
	62 deg. WB	High Side	143	155	168	180	193	205	218	230	
	Rated Flow	80 deg. DB	Low Side	64	66	68	71	73	75	77	80
	Rate GPM 5.0	67 deg. WB	High Side	146	159	172	185	197	210	223	236
	Rated CFM	85 deg. DB	Low Side	69	71	74	76	79	81	84	86
	1200	72 deg. WB	High Side	152	165	178	191	204	217	230	243
WQS50, WQSD50 w/BC48A	75 deg. DB	Low Side	60	62	64	67	69	71	73	76	
	62 deg. WB	High Side	134	146	158	170	182	194	206	218	
	Rated Flow	80 deg. DB	Low Side	64	66	69	71	74	76	79	81
	Rate GPM 6.0	67 deg. WB	High Side	138	150	162	175	187	199	211	224
	Rated CFM	85 deg. DB	Low Side	68	71	74	77	79	82	85	88
	1650	72 deg. WB	High Side	142	155	168	181	193	206	219	232
WQS50, WQSD50 w/H4AQ1	75 deg. DB	Low Side	59	60	62	63	65	66	68	69	
	62 deg. WB	High Side	134	145	156	167	177	188	199	210	
	Rated Flow	80 deg. DB	Low Side	62	64	66	68	69	71	73	75
	Rate GPM 6.0	67 deg. WB	High Side	138	149	160	171	182	193	204	215
	Rated CFM	85 deg. DB	Low Side	67	69	71	73	74	76	78	80
	1625	72 deg. WB	High Side	143	154	166	177	189	200	212	223

HEATING

TABLE 18  
Water Temperature Entering Water Coil F

Model	Return Air Temperature	Pressure	°	°	°	°	°	°	°	°
			45	50	55	60	65	70	75	80
WQS30, WQSD30 w/BC35B Rated Flow Rate GPM 5.0 Rated CFM 1150	70 degree	Low Side	56	61	66	71	76	81	86	91
		High Side	204	212	220	229	237	245	253	262
WQS30, WQSD30 w/H3AQ1 Rated Flow Rate GPM 5.0 Rated CFM 1150	70 degree	Low Side	55	58	61	64	67	70	73	76
		High Side	204	208	212	217	221	225	229	234
WQS36, WQSD36 w/BC35B Rated Flow Rate GPM 5.0 Rated CFM 1150	70 degree	Low Side	52	56	60	64	67	71	75	79
		High Side	222	229	236	244	251	258	265	273
WQS36, WQSD36 w/H3AQ1 Rated Flow Rate GPM 5.0 Rated CFM 1200	70 degree	Low Side	51	54	57	60	63	66	69	72
		High Side	219	224	230	235	241	246	252	257
WQS50, WQSD50 w/BC48A Rated Flow Rate GPM 6.0 Rated CFM 1650	70 degree	Low Side	51	54	57	59	61	62	63	64
		High Side	210	211	212	214	216	220	224	229
WQS50, WQSD50 w/H4AQ1 Rated Flow Rate GPM 6.0 Rated CFM 1625	70 degree	Low Side	50	52	54	56	58	60	62	64
		High Side	205	207	209	211	213	215	217	219

Low side pressure + 2 PSIG  
High side pressure + 5 PSIG

Tables are based upon rated CFM (airflow) across the evaporator coil and rated water flow rate through the water coil. If there is any doubt as to correct operating charge being in the system, the charge should be removed, system evacuated, and recharged to serial plate specifications.

NOTE: On units with heat recovery coil (WQSD) turn water pump switch to "OFF" before measuring refrigerant pressures.



R22 TOTAL SYSTEM CHARGE FOR  
SPLIT AIR CONDITIONING AND HEAT PUMP SYSTEMS

The following tables are used to determine the operating charge for split air conditioning and heat pump systems. The values shown are the total amount of refrigerant received in the precharged system components, which include the outdoor unit, indoor unit, and inter-connecting tubing. This is also the amount of refrigerant required for a system recharge following any refrigeration system repairs.

Find the outdoor section and matching indoor section (Table 20) and connecting tubing set (Table 19) for system being used. Add the ounces of charge for each of the system components together. This value is the TOTAL SYSTEM CHARGE.

$$\begin{array}{r} \text{_____ OZs} \\ \text{OUTDOOR UNIT} \\ \text{(Table 20)} \end{array} + \begin{array}{r} \text{_____ OZs} \\ \text{INDOOR UNIT} \\ \text{(Table 20)} \end{array} + \begin{array}{r} \text{_____ OZs} \\ \text{TUBING SET} \\ \text{(Table 19)} \end{array} = \begin{array}{r} \text{_____ OZs} \\ \text{TOTAL SYSTEM CHARGE} \end{array}$$

To change total charge to lbs. and ozs., divide by 16.

EXAMPLE: WQS30 with H3A01 and CT35 tubing set.

$$\text{_____ OZs} + \text{_____ OZs} + \text{_____ OZs} = \text{_____ OZs}$$

or  $\frac{\text{_____}}{16} = 5 \text{ lbs. } 2 \text{ ozs.}$

TABLE 19 CHARGED TUBING SETS				
Model	Charge	Length in Ft.	Liquid Line	Suction Line
FOR USE WITH: WQS30, WQS36, WQSD30, WQSD36				
CT0	None*	0	3/8"	3/4"
CT15	2 oz.	15	1/4"	5/8"
CT25	3 oz.	25	1/4"	3/4"
CT35	14 oz.	35	3/8"	3/4"
CT45	20 oz.	45	3/8"	3/4"
FOR USE WITH: WQS50, WQSD50				
CT0-12	None*	0	3/8"	7/8"
CT15-12	2 oz.	15	3/8"	7/8"
CT25-12	8 oz.	25	3/8"	7/8"
CT35-12	14 oz.	35	3/8"	7/8"
CT45-12	20 oz.	45	3/8"	7/8"

\*CT0 and CT0-12 for field installed tubing. (See Table 20 for charging).

TABLE 20

Model	Outdoor Unit Factory Charge	For Use With Indoor Unit	Indoor Unit Factory Charge
WQS30	50 oz.	H3AQ1 BC35B	10 oz. 8 oz.
WQSD30	52 oz.	H3AQ1 BC35B	10 oz. 8 oz.
WQS36	59.5 oz.	H3AQ1 BC35B	10 oz. 8 oz.
WQSD36	61.5 oz.	H3AQ1 BC35B	10 oz. 8 oz.
WQS50	110 oz.	H4AQ1 BC48A	23 oz. 23 oz.
WQSD50	112 oz.	H4AQ1 BC48A	23 oz. 23 oz.

In the event that the installer is running his own tubing by using a CTO kit or is modifying a precharged tubing set by adding or subtracting a few feet of tubing length, the tubing set should be evacuated and charged before being connected to the outdoor and indoor section. To determine TUBING SET ONLY charges, use the following table:

TABLE 21  
(Shows Charge in Ozs.)

		10	15	20	25	30	35	40	45	50	55	60
	Tubing Set Length in Ft.											
RW Series	1/4" O.D. Liquid Line	2	2	3	3	5	7	9	11	--	--	--
CT Series	3/8" O.D. Liquid Line	2	2	5	8	11	14	17	20	23	26	29

To determine a TOTAL SYSTEM CHARGE for a system that is connected with a non-standard tubing length, the outdoor basic charge (from Table 20) plus the indoor unit basic charge (from Table 20), is added to the tube set based on liquid line O.D. size (Table 21). This value is the TOTAL SYSTEM CHARGE.

NOTE: If your tubing length is between the sizes shown in the table, use a charge value appropriately between the values shown for the tubing length shorter and longer than actual length.

## XI. INSTALLING REFRIGERANT TUBING

**PRE-CHARGED TUBING.** Examine carefully the two lengths of pre-charged tubing furnished with the unit. The larger is the suction line. The smaller is the liquid line. The end of the tubing with the hex nut and gauge port is to be attached to the condensing unit.

Unroll the tubing, being careful not to kink, and install it between the condensing unit and the evaporator coil.

**CAUTION:** Be careful not to tear the insulation when pushing it through holes in masonry or frame walls.

When sealing tube opening in house wall use a soft material to prevent tube damage and vibration transmission.

Before fastening either end, use a tubing bender to make any necessary bends in the tubing. (AVOID EXCESSIVE BENDING IN ANY ONE PLACE TO AVOID KINKING.)

Start connecting the tubing at the evaporator end, first remove the protective caps and plugs from the quick connect fittings on the evaporator coil and the pre-charged tubing. Inspect fittings and clean if necessary, making sure they are clear of foreign materials. If you clean the fittings, lubricate them with refrigeration oil. Connect both tubes to the fittings on the coil and draw up by hand.

When necessary to bend the insulated tube, suction line, cut the insulation around its circumference at a distance far enough beyond the point of the bend so as to clear the tubing bender.

Slip the insulation back together and vapor seal the joint with tape.

**NOTE:** The maximum distance for pre-charged tubing between the condenser and the evaporator is 45 feet.

**CAUTION:** Prior to connecting the pre-charged tubing to the evaporator coil or condensing unit, be sure all bends have been made, then coil any excess tubing in a horizontal plane, with the slope of the tubing toward the condensing unit.

**CAUTION:** Be sure to hold the coupling firmly to prevent movement of the coupling and tubing. Failure to do so could tear out the diaphragm causing a blockage of the system.

**CAUTION:** After starting to tighten up the fitting, never try to back it off or take it apart.

For connecting the tubing at the condensing unit end, first remove the protective caps and plugs from the quick-connect fittings on the condensing unit and the pre-charged tubing. Inspect fittings and clean if necessary, making sure they are clear of foreign materials, If you clean the fittings, lubricate them with refrigeration oil. Connect both tubes to the fittings on the coil and draw up by hand.

Locate the gauge port in a 45 degree angle from a vertical up position so as to be accessible for gauge connections.

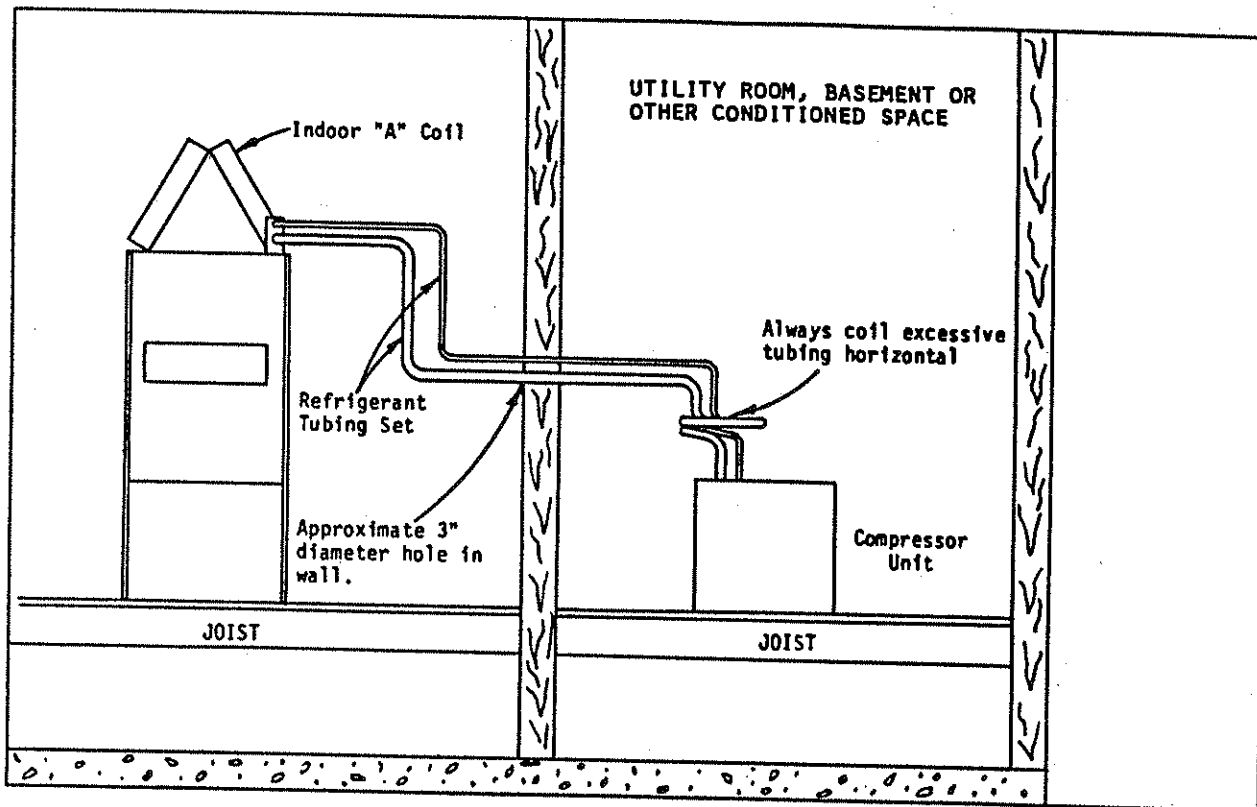
Use a wrench on the hex nut of the female fitting backing up the fitting with another wrench to keep tube from turning. Tighten the fittings together until they bottom out then tighten for an additional 1/4 turn so that coupling will seat properly.

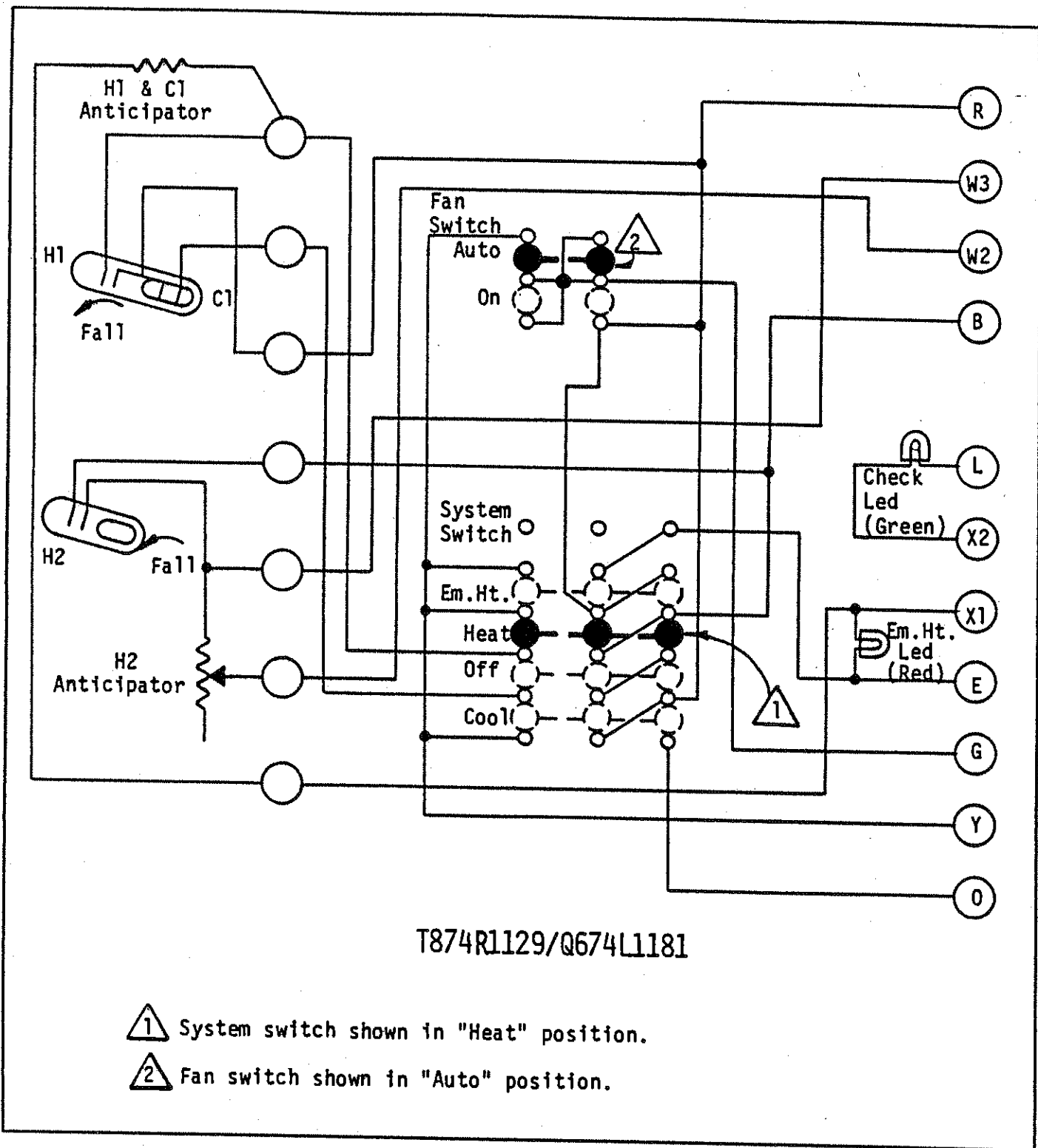
Check the gauge port cap to make sure it is tight. If loose, tighten, being careful not to tighten too much as it will damage the valve in the gauge port.

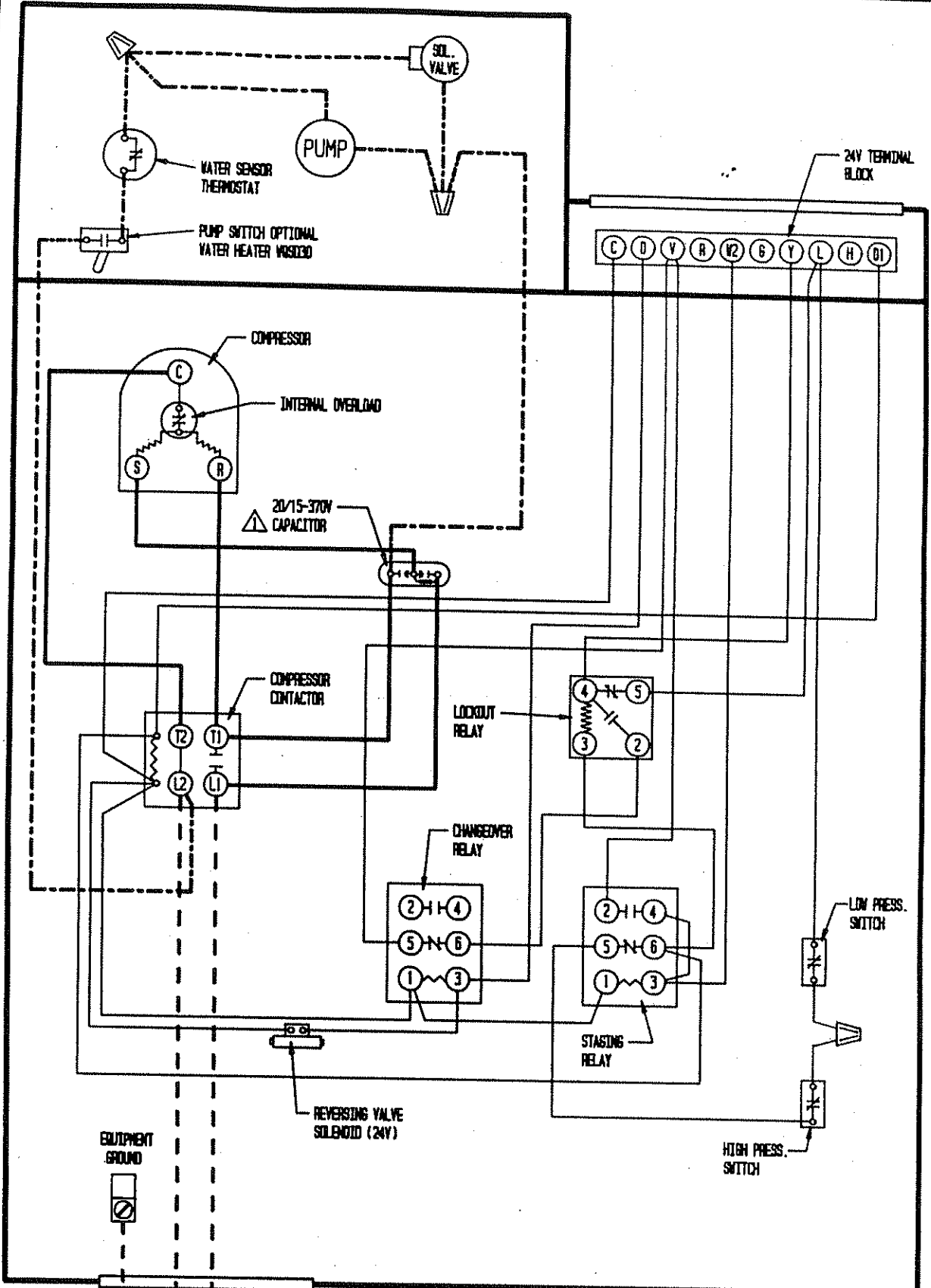
Leak test all connections using an Electronic Leak Detector or a Halide Torch.

When tubing is installed in attics or drop ceiling, insulate the quick connect fitting on the larger tube thoroughly with 3/8 inch wall thickness, closed cell sponge tube insulation or equivalent. Failure to insulate will result in water damage to ceiling since the fitting will "sweat" and drop water on the ceiling.

FIGURE 6  
TYPICAL WQS INSTALLATION  
(Shown with "A" coil on a furnace)







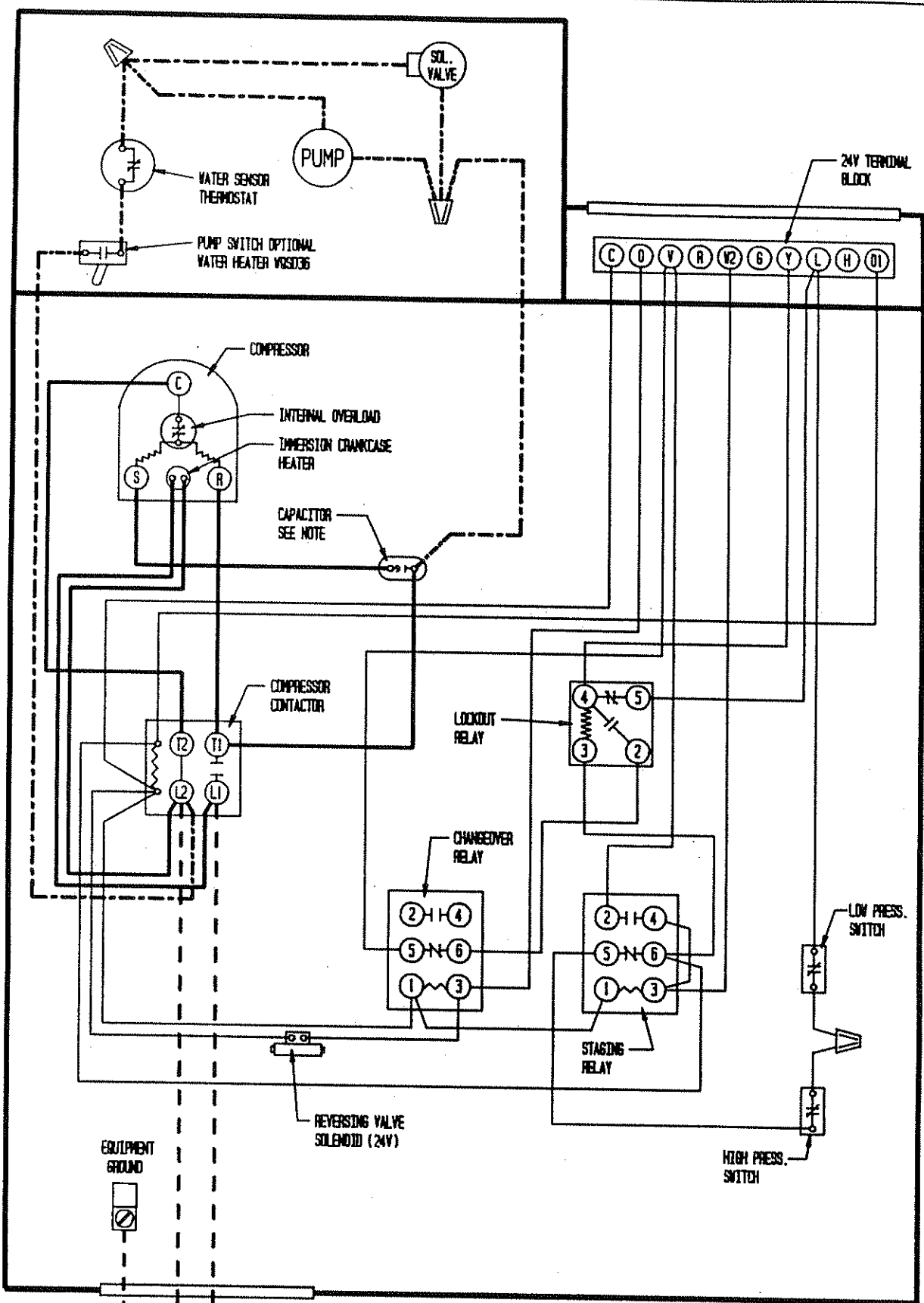
EQUIPMENT GROUND

330/208-60-1

	FACTORY WIRING	FIELD WIRING	OPT. FACTORY WIRING	OPT. FIELD WIRING
LOW VOLTAGE	_____	-----	-----	-----
HIGH VOLTAGE	_____	-----	-----	-----

⚠ CAPACITOR PROVIDES OFF-CYCLE CRANKCASE HEAT

USE COPPER OR ALUMINUM WIRE



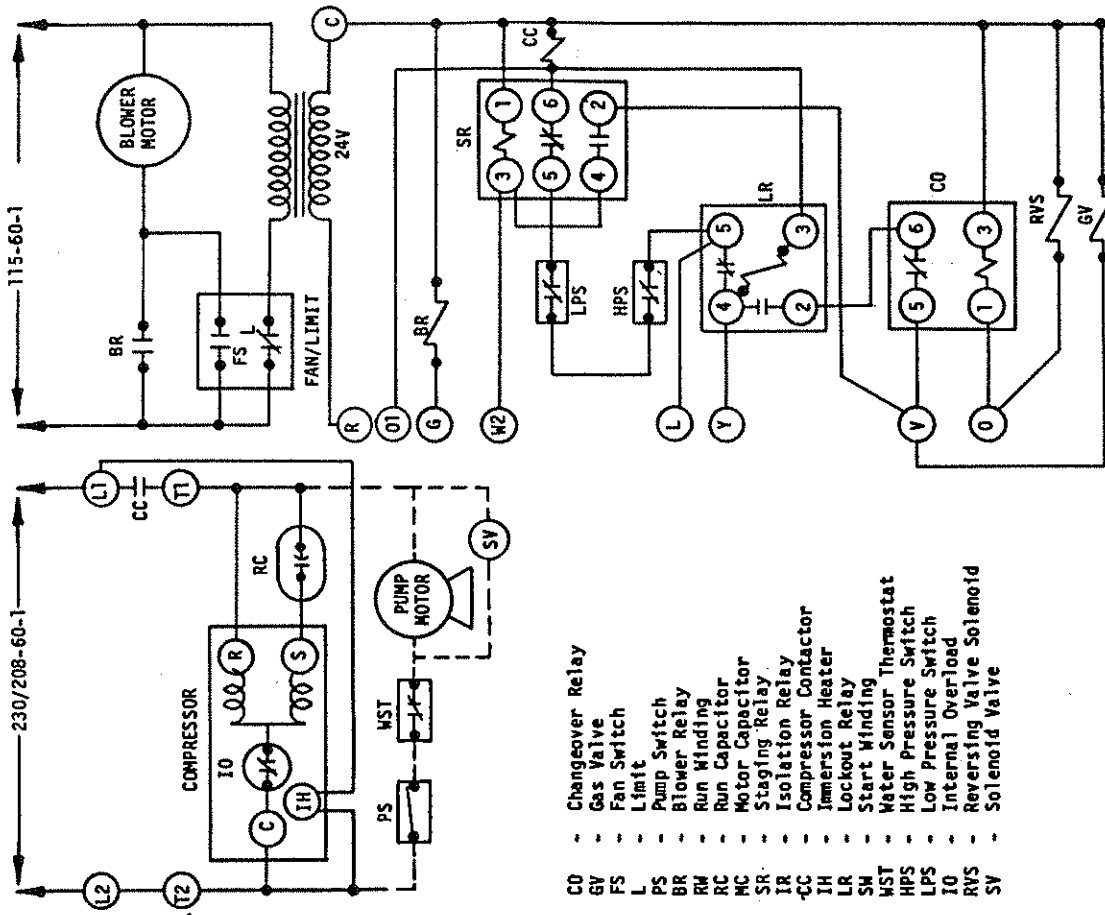
Z3D/208-60-1

CAPACITOR RATING	
V8S36	40/370
V8S736	
V8S50	40/440
V8S750	

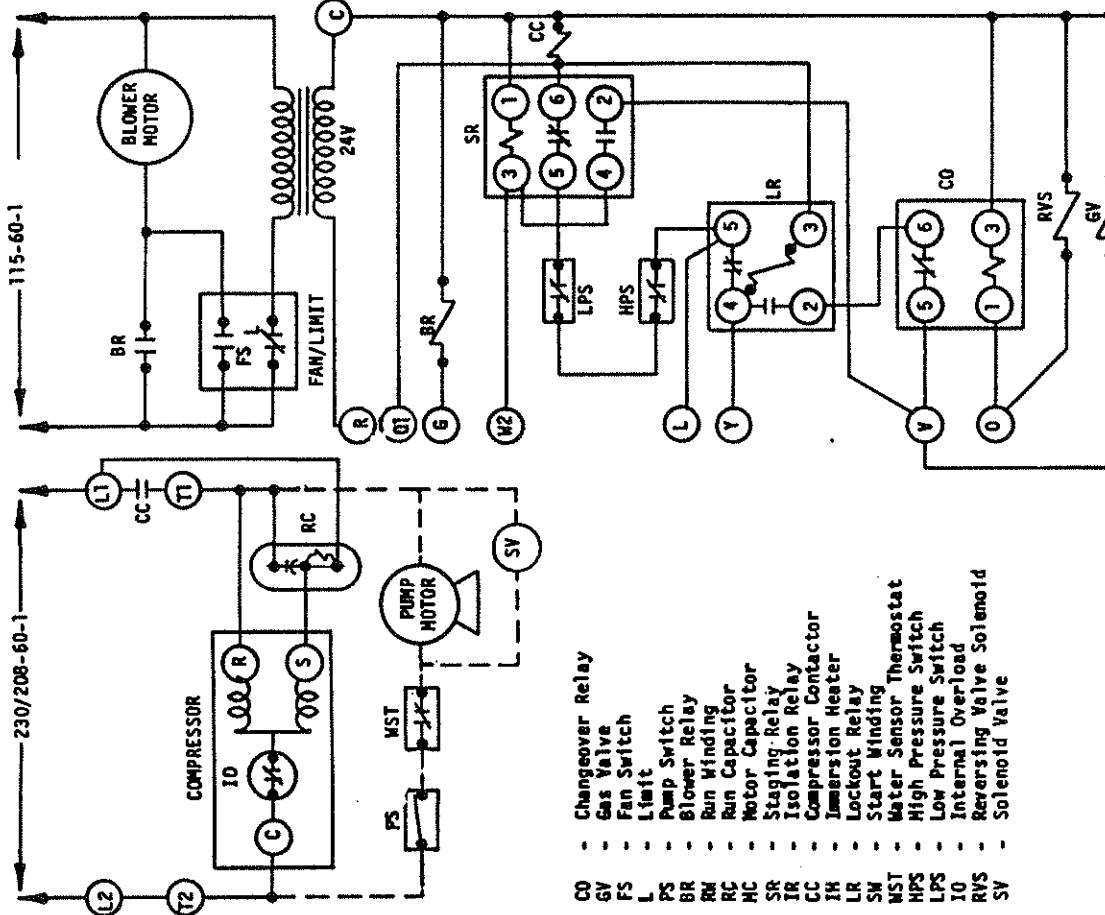
	FACTORY WIRING	FIELD WIRING	OPT. FACTORY WIRING	OPT. FIELD WIRING
LOW VOLTAGE	—————	-----	-----	-----
HIGH VOLTAGE	—————	-----	-----	-----

USE COPPER OR ALUMINUM WIRE

WQSD36, WQSD36, WQSD50, WQSD50



WQSD30, WQSD30





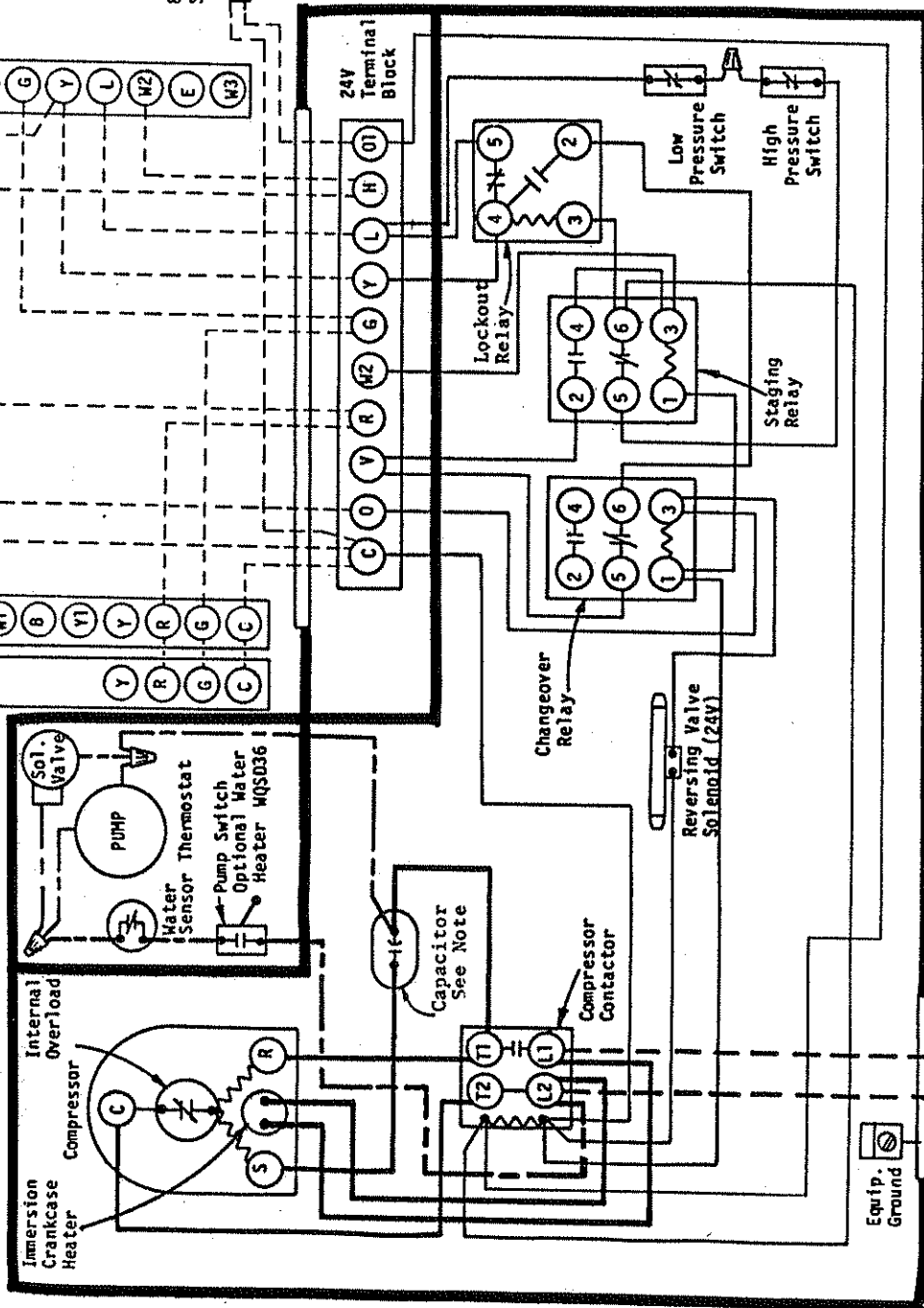
TYPICAL CONNECTION TO  
B36EHQ, B36EHQ1, BC48A

⚠ Add Jumper W2-W3 on 15, 20, 25 and 30kW  
(B36EHQ1 only)  
⚠ Add Jumper DH-01 on 25 and 30kW (B36EHQ1 only)

T874R1129/Q674L1181  
T-Stat Terminals

8603-006  
SOLENOID  
VALVE

Capacitor Rating	
WQS36	40/370
WQSD36	
WQS50	40/440
WQSD50	



MODELS WQS36,  
WQSD36, WQS50, WQSD50  
Water Source Heat Pump  
4050-901E

Factory Wiring \_\_\_\_\_  
Field Wiring \_\_\_\_\_  
Optional Factory Wiring \_\_\_\_\_  
Optional Field Wiring \_\_\_\_\_

Low Voltage \_\_\_\_\_  
High Voltage \_\_\_\_\_

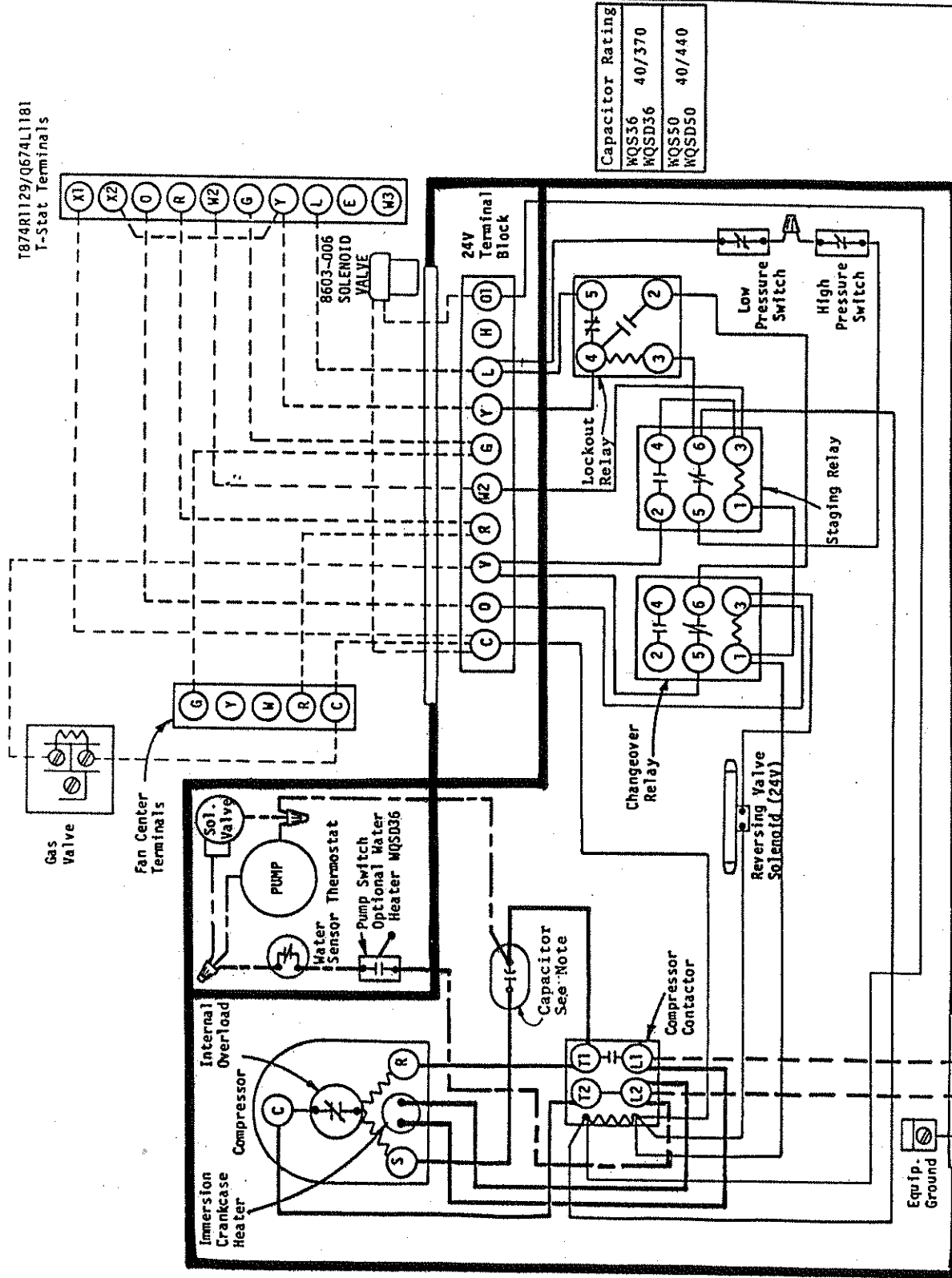
USE COPPER WIRE ONLY

230/208-60-1

Equip. Ground

TYPICAL CONNECTION TO GAS FURNACE

T874R1129/Q674L1181  
T-Stat Terminals



Capacitor Rating	
WQS36	40/370
WQSD36	
WQS50	40/440
WQSD50	

MODELS WQS36,  
WQSD36, WQS50, WQSD50  
Water Source Heat Pump  
4030-302D

Factory Wiring	Field Wiring	Optional Factory Wiring	Optional Field Wiring
_____	_____	_____	_____

USE COPPER WIRE ONLY

230/208-50-1

Equip. Ground

Low Voltage \_\_\_\_\_

High Voltage \_\_\_\_\_

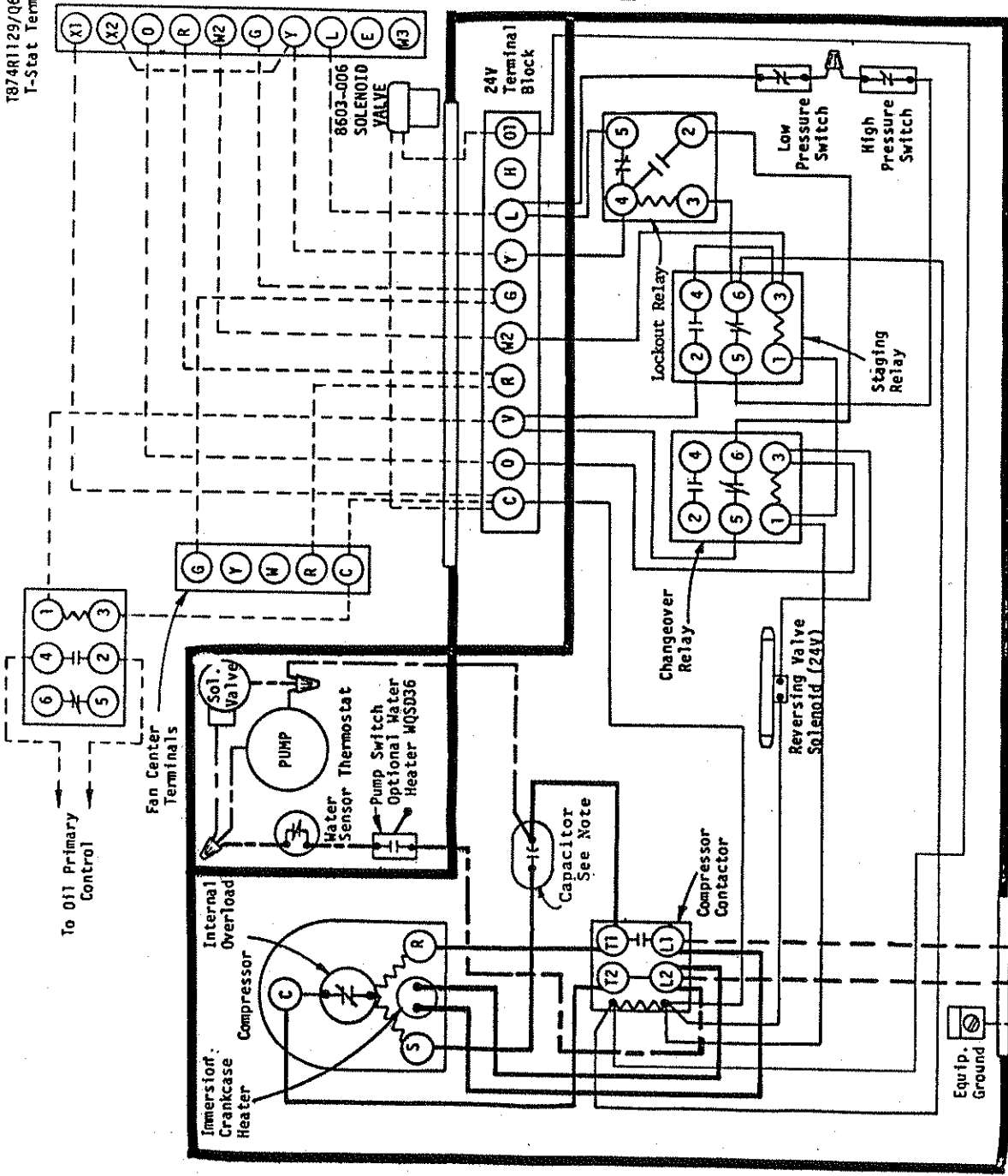
TYPICAL CONNECTION TO OIL FURNACE

T874R1129/Q674L1181  
1-Stat Terminals

Capacitor Rating	
WQS36	40/370
WQSD36	40/370
WQS50	40/440
WQSD50	40/440

MODELS WQS36,  
WQSD36, WQS50, WQSD50  
Water Source Heat Pump  
4050-303D

8201-015  
184-50114-406  
Isolating Relay



Factory Wiring	Field Wiring	Optional Factory Wiring	Optional Field Wiring
Low Voltage	High Voltage		

USE COPPER  
WIRE ONLY

230/208-60-1

Equip. Ground



PERFORMANCE CHECK  
WATER SOURCE HEAT PUMPS

Installer Please Fill Out  
and Retain With Unit

DATE OF INSTALLATION \_\_\_\_\_ MODEL NO(S). \_\_\_\_\_ SERIAL NO(S). \_\_\_\_\_

ITEM	COOLING	HEATING	JOB NUMBER
1. HEAD PRESSURE			NAME OF INSTALLER
2. SUCTION PRESSURE			NAME OF OWNER
3. WATER TEMP. (IN)			ADDRESS
4. WATER TEMP. (OUT)			CITY <span style="float: right;">STATE</span>
5. WATER PRESSURE (IN)			FIELD COMMENTS:
6. WATER PRESSURE (OUT)			
7. WATER FLOW (GPM)			
8. AMPERES (BLOWER)			
9. AMPERES (COMPRESSOR)			
10. LINE VOLTAGE (COMPRESSOR RUNNING)			
11. AIR TEMP. (IN) D.B. W.B.			
12. AIR TEMP. (OUT) D.B. W.B.			
13. DESUPERHEATER H2O TEMP. (IN)			
14. DESUPERHEATER H2O TEMP. (OUT)			

This PERFORMANCE CHECK SHEET should be filled out by  
installer and retained with unit.