

INSTALLATION INSTRUCTIONS

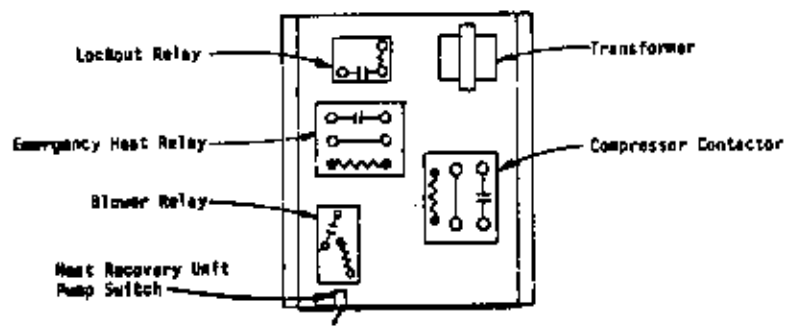
HIGH EFFICIENCY
WATER SOURCE
PACKAGED HEAT PUMPS

MODELS

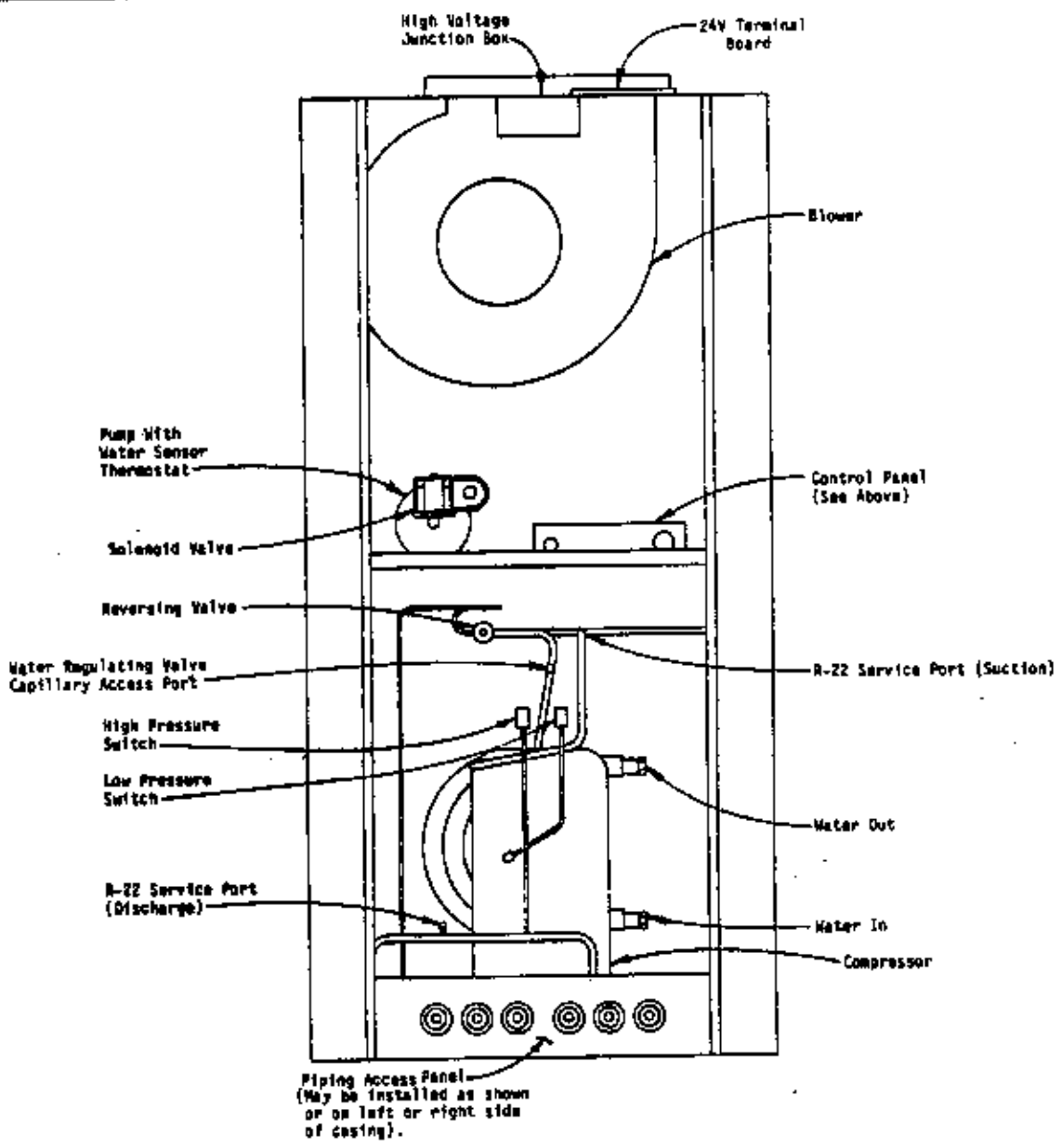
WPV30	WPV53
*WPVD30	*WPVD53
WPV36	WPV62
*WPVD36	*WPVD62

*Built-in hot water
heat exchanger.

GROUND WATER TEMPERATURES 45-75° F

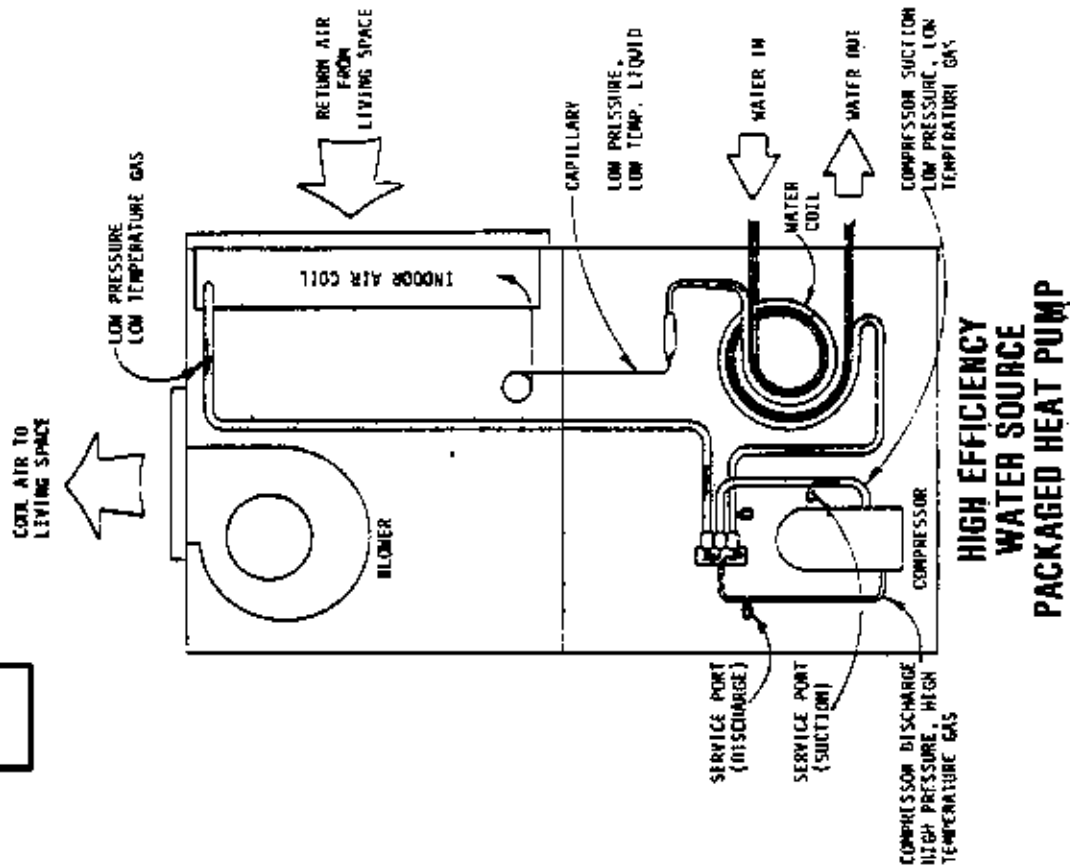


CONTROL PANEL

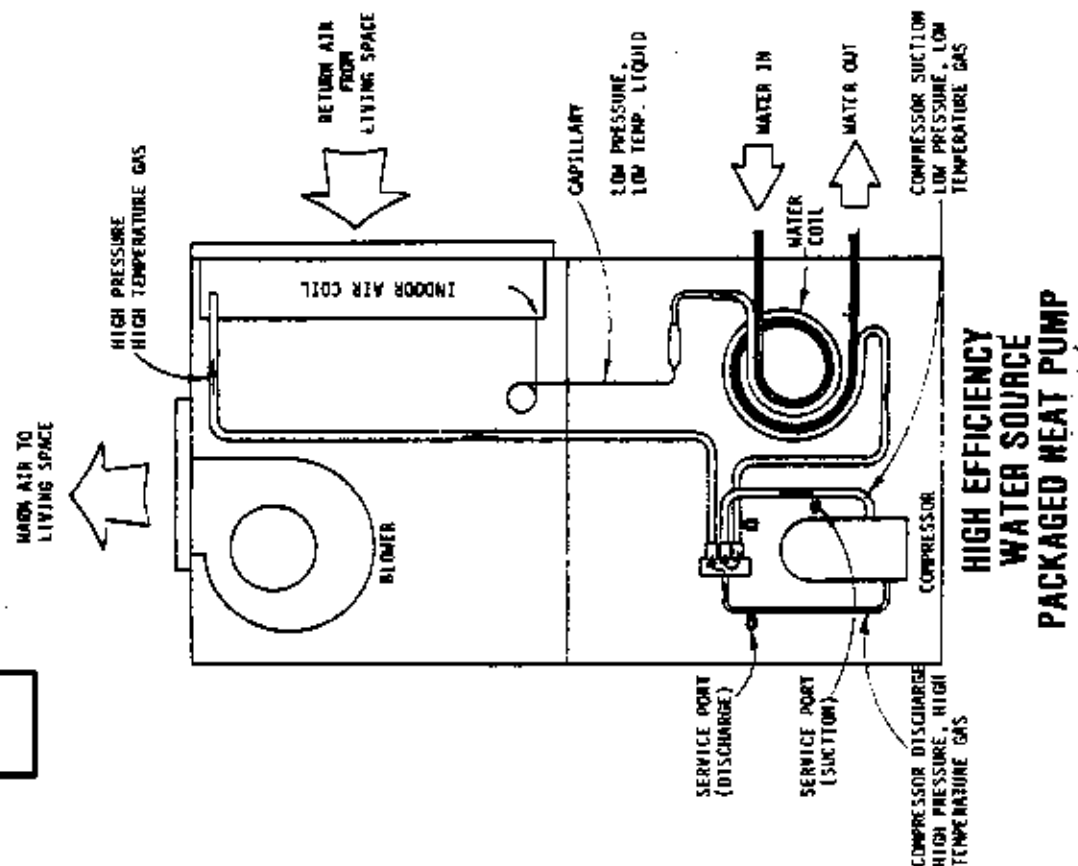


Note: If no return air duct is used, applicable installation codes may limit this cabinet to installation only in a single story structure.

COOLING



HEATING



GENERAL

Units are shipped completely assembled and internally wired, requiring only duct connections, thermostat wiring, 230-208 volt AC power wiring, and water piping. The equipment covered in this manual is to be installed by trained, experienced service and installation technicians. Any heat pump is more critical of proper refrigerant charge and an adequate duct system than a cooling only air conditioning unit.

These instructions and any instructions packaged with any separate equipment required to make up the entire heat pump system should be carefully read before beginning the installation. Note particularly any tags and/or labels attached to the equipment.

While these instructions are intended as a general recommended guide, they do not in any way supersede any national and/or local codes. Authorities having jurisdiction should be consulted before the installation is made.

UNPACKING

Upon receipt of the equipment, the carton should be checked for external signs of shipping damage. If damage is found, the receiving party must contact the last carrier immediately, preferably in writing, requesting inspection by the carrier's agent.

INSTALLATION

1. BTUH CAPACITY SELECTION

Capacity of the unit for a proposed installation should be based on heat loss calculations made in accordance with methods of the Air Conditioning Contractors of America, formerly National Warm Air Heating and Air Conditioning Association. The air duct system should be sized and installed in accordance with Standards of the National Fire Protection Association For The Installation of Air Conditioning and Ventilating Systems of Other Than Residence Type NFPA No. 90A, and Residence Type Warm Air Heating and Air Conditioning Systems, NFPA No. 90B.

2. SITE SELECTION

The unit may be installed in a basement, closet or utility room provided adequate service access is insured. Ideally, three sides of the unit should have a minimum access clearance of two feet but the unit can be adequately serviced if two or only one side has the minimum two feet clearance. The unit should be located in the conditioned space to prevent freezing of the water lines and to permit proper, automatic shut off of the water regulating valves.

Clearance to combustible materials is 0 inches for the heat pump. If an optional duct heater is installed, follow the instructions packed with the duct heater for specifications regarding clearance to combustible material.

Before setting the unit, consider ease of piping, drain and electrical connections for the unit. Also, for units with heat recovery unit, consider the proximity of the unit to the water heater or storage tank. Place the unit on a solid base, preferably concrete, to minimize undesirable noise and vibration. DO NOT elevate the base pan on rubber or cork vibration eliminator pads as this will permit the unit base to act like a drum, transmitting objectionable noise.

3. DUCTWORK

If the unit is to be installed in a closet or utility room which does not have a floor drain, a secondary drain pan under the entire unit is highly recommended.

DO NOT install the unit in such a way that a direct path exists between any return grille and the unit. Rather, insure that the air entering the return grille will make at least one turn before entering the unit air coil. This will reduce possible objectionable compressor and air noise from entering the occupied space.

Design the ductwork according to methods given by the National Warm Air Heating and Air Conditioning Association. When duct runs through unconditioned spaces, it should be insulated with a minimum of two inches fiberglass insulation with vapor barrier. It is recommended that flexible connections be used to connect the ductwork to the unit in order to keep the noise transmission to a minimum.

4. FILTER

This unit must not be operated without a filter. It comes equipped with a disposable filter which should be checked often and replaced if dirty. Insufficient air flow due to undersized duct systems or dirty filters can result in nuisance tripping of the high or low pressure controls. Refer to Table 3 for correct air flow and static pressure requirements. See Figure 3.

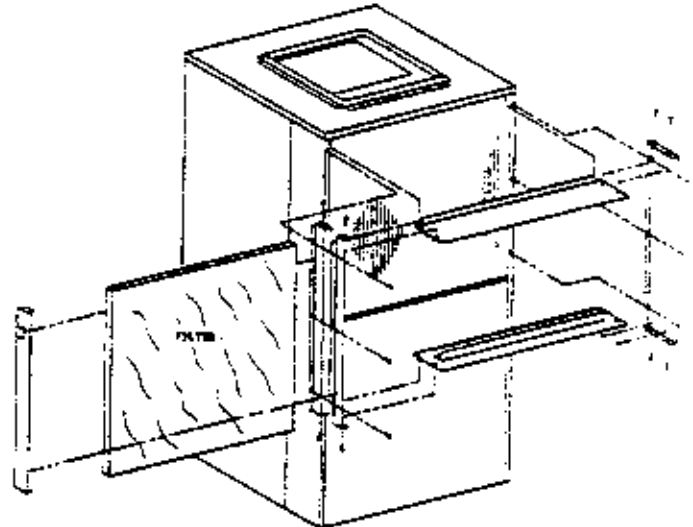


FIGURE 3

5. ELECTRICAL WIRING

All electrical connections are made through the top of the unit. High voltage connections are made with wire nuts to the factory-provided pigtail leads in the junction box. Low voltage connections are made to the terminal strip mounted on the top of the unit. Refer to the wiring diagram for connecting the terminals.

a. MAIN POWER

Refer to the unit serial plate for wire sizing information and correct overcurrent protection size. Each unit is marked with a "Minimum Circuit Ampacity." This means that field wiring connectors must be sized to carry that amount of current. Each unit and/or wiring diagram is also marked "Use Copper Conductors Only," meaning the leads provided are not suitable for aluminum wiring. Refer to the National Electric Code for complete current-carrying capacity data on the various grades of wiring material.

The unit rating plate lists "Maximum Overcurrent Protective Device" that is to be used with the equipment. This device may be a time delay fuse or HACR Type circuit breaker. The correct size overcurrent protective device must be used to provide for proper circuit protection and to avoid nuisance trips due to the momentary high starting current of the compressor motor.

D. CONTROL CIRCUIT--LOW VOLTAGE WIRING

A 24 volt terminal strip is mounted on top of the unit. Two types of thermostats are available:

- 1) Single stage heat, single stage cool to operate the heat pump alone--without backup duct style electric heaters. This thermostat is equipped with a signal light to indicate when the unit is "locked out" because of the low or high pressure control. Refer to the wiring diagrams at the end of this manual for correct connection of the terminals.
- 2) Two stage heat, single stage cool to operate the heat pump or duct heaters on heating or the heat pump on cooling. This thermostat is also equipped with a signal light to indicate when the unit is "locked out" because of operation of the low or high pressure control. In addition, a second signal tells when the unit has been placed in Emergency Heat. Refer to the wiring diagram at the end of this manual and to the wiring diagram packed with the duct heater for correct connection of the low voltage terminals.

6. CONDENSATE DRAIN

Determine where the drain line will run. This drain line contains cold water and must be insulated to avoid droplets of water from condensing on the pipe and dropping on finished floors or the ceiling under the unit. A trap **MUST BE** installed in the drain line and the trap filled with water prior to start up. The use of plugged tees in place of elbows to facilitate cleaning is highly recommended.

Drain lines must be installed according to local plumbing codes. It is not recommended that any condensate drain line be connected to a sewer main. The drain line enters the unit through the water access panel and connects to the FPT coupling under the condensate drain pan.

7. PIPING ACCESS TO THE UNIT

Water piping to and from the unit enters the unit casing through the water access panel. Piping connections are made directly to the heat exchanger coil and are 3/4" or 1" FPT. The access panel can be installed on any one of three sides (any side of the casing except the air coil side). It is highly recommended that the piping from the water coil to the outside of the casing be installed while the unit is completely accessible and before it is finally set in position.

8. WATER CONNECTIONS

It is very important that an adequate supply of clean, non-corrosive water at the proper pressure be provided before the installation is made. Insufficient water, in the heating mode for example, will cause the low pressure control to trip, shutting down the heat pump. In assessing the capacity of the water system, it is advisable that the complete water system be evaluated to prevent possible lack of water or water pressure at various household fixtures whenever the heat pump turns on. All plumbing to and from the unit is to be installed in accordance with local plumbing codes. The use of plastic pipe, where permissible, is recommended to prevent electrolytic corrosion of the water pipe. Because of the relatively cold temperatures encountered with well water, it is strongly recommended that the water lines connecting the unit be insulated to prevent water droplets from condensing on the pipe surface.

Refer to Piping, Figure 4. Slow closing Solenoid VALVE (6) with a 24V coil provides on/off control of the water flow to the unit. Refer to the wiring diagram for correct hookup of the valve solenoid coil.

Constant Flow Valve (7) provides correct flow of water to the unit regardless of variations in water pressure. Observe the water flow direction indicated by the arrow on the side of the valve body. Following is a table showing which valve is to be installed with which heat pump.

HEAT PUMP MODEL	FLOW RATE	WARD PART NUMBER
WPV30, WPVD30	4 GPM	8603-010
WPV36, WPVD36	5 GPM	8603-011
WPV53, WPVD53	6 GPM	8603-007
WPV62*, WPVD62*	*8 GPM	8603-008*

*At 50° Entering Water Temperature and above.

*For units operating below 50° water temperature install (2) 8 GPM constant flow valves (8603-008) in parallel.

Strainer (5) installed upstream of constant flow valve (7) to collect foreign material which would clog the flow valve orifice.

The figure shows the use of shut-off valves (9) and (11), on the in and out water lines to permit isolation of the unit from the plumbing system should future service work require this. Globe valves should not be used as shutoff valves because of the excessive pressure drop inherent in the valve design. Instead use gate or ball valves as shut-offs so as to minimize pressure drop.

Drain cocks (8) and (10), and tees have been included to permit acid cleaning the refrigerant-to-water coil should such cleaning be required. See WATER CORROSION.

Drain Cocks (12) provides access to the system to check water flow through the constant flow valve to insure adequate water flow through the unit. A water meter 1-10 GPM (8603-013) is used to check the water flow rate. See photo below.

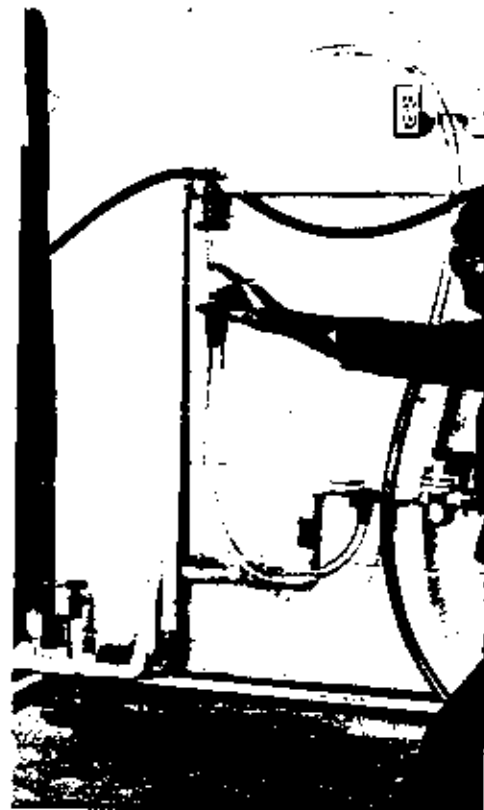


PHOTO NO. 1

See page 10 for Alternate Method of Water Control.

9. WELL PUMP SIZING

Strictly speaking, sizing the well pump is the responsibility of the well drilling contractor. It is important, however, that the HVAC contractor be familiar with the factors that determine what size pump will be required. Rule of thumb estimates will invariably lead to under or oversized well pumps. Undersizing the pump will result in inadequate water to the whole plumbing system but with especially bad results to the heat pump—NO HEAT/NO COOL calls will result. Oversized pumps will short cycle and could cause premature pump motor or switch failure.

The well pump must be capable of supplying enough water and at an adequate pressure to meet competing demands of water fixtures. The well pump must be sized in such a way that three requirements are met:

1. Adequate flow rate in GPM.
2. Adequate pressure at the fixture.
3. Able to meet the above from the depth of the well-foot of lift.

The pressure requirements put on the pump are directly affected by the diameter of pipe being used as well as by the water flow rate through the pipe. The worksheet included in Manual 2100-078 should guarantee that the well pump has enough capacity. It should also ensure that the piping is not undersized which would create too much pressure due to friction loss. High pressure losses due to undersized pipe will reduce efficiency and require larger pumps and could also create water noise problems.

SEQUENCE OF OPERATION

1. COOLING WITH OR WITHOUT DUCT HEATERS

Whenever the system lever is moved to COOL, thermostat system switch completes a circuit R to O, energizing the reversing valve solenoid. On a call for cooling, the cooling bulb completes a circuit from R to G, energizing the blower relay coil. The blower relay contacts complete a 230 volt circuit to the blower motor and the blower operates. R to Y circuit is completed at the same time as the fan circuit and current flows from Y to terminal 4 at the lockout relay. Terminal 4 of the lockout relay provides two paths for current flow.

1. Through the lockout relay coil which offers the resistance of the lockout relay coil.
2. Through the normally closed contacts of the lockout relay to terminal 5 of the lockout relay and then through the high and low pressure switches to the compressor contactor coil.

If the high and low pressure switches remain closed (refrigerant pressure remains normal), the path of least resistance is through these safety controls to the compressor contactor coil. The contacts of the compressor contactor complete a 230 volt circuit to the compressor and the compressor runs. If discharge (suction) pressure reaches the set point of the high (low) pressure control, the normally closed contacts of the high (low) pressure control open and current no longer flows to the compressor contactor coil—the coil drops out. Current now can take the path of least resistance through the lockout relay coil, energizing the lockout relay coil and opening terminals 4 and 5 of the lockout relay. The lockout relay will remain energized as long as a circuit is completed between R and Y at the thermostat. In the meantime, since the compressor is not operating, refrigerant pressure will equalize and the high (low) pressure switch will automatically reset. However, the circuit to the compressor contactor will not be complete until the lockout relay is de-energized by moving the thermostat system switch to OFF, breaking the circuit from R to Y, dropping out the lockout relay coil and permitting terminals 4 and 5 to make. When the high (low) pressure switch closes, a circuit is completed to L at the thermostat, energizing the signal light to indicate a malfunction. When the system switch is moved from OFF to COOL, the cycle is repeated.

2. SINGLE STAGE HEAT WITHOUT DUCT HEATERS

Compressor circuit R to Y including lockout relay and pressure controls is the same as cooling. Blower circuit R to G is the same as cooling. With system switch set to HEAT, no circuit is completed between R and O and reversing valve solenoid is not energized.

3. TWO STAGE HEAT WITH DUCT HEATERS

First stage heat is the same as single stage heating without duct heater. When the second stage thermostat bulb makes, a circuit is completed from R to W2 and W3, energizing the duct heater heat contactor, R1, through the automatic thermal cutout (TCO). The contacts of R1 close a circuit to the heat pump blower relay and, through the manual reset thermal cut-off device, to the elements. Elements and blower remain energized as long as R to W2 and W3 are made.

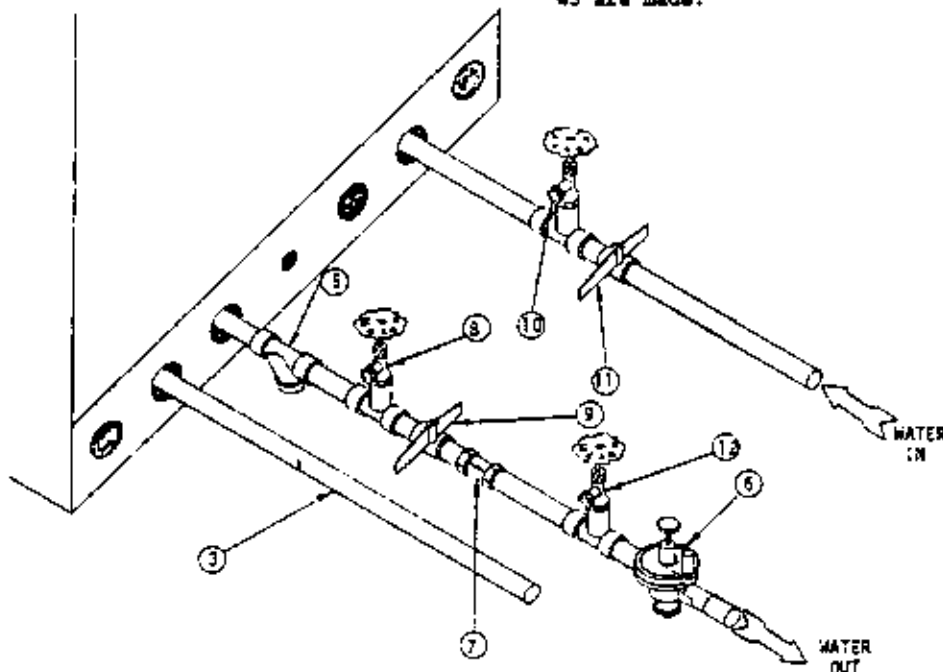


FIGURE 4

4. EMERGENCY HEAT

When the system switch is moved to EMER, the compressor circuit R to Y is disconnected. Control of the electric heaters is from R to W2 and W3 through the thermostat second stage heating bulb. Blower operation is controlled by the second stage heating bulb. Operation is the same as above, "Two Stage Heat With Duct Heaters."

SYSTEM START UP PROCEDURE*

1. Be sure main power to the unit is OFF at the disconnect.
 2. Set thermostat system switch to OFF, fan switch to AUTO.
 3. Move main power disconnect to ON. Power should be on to unit for a minimum of four hours or sixty minutes per pound of refrigerant. This allows the crankcase heater to drive any refrigerant liquid out of the compressor sump. This procedure should be followed whenever the power has been off for twelve hours or longer. Except as required for safety while servicing-- DO NOT OPEN THE UNIT DISCONNECT SWITCH.
 4. Check system air flow for obstructions.
 - a) Move thermostat fan switch to ON. Blower runs.
 - b) Be sure all registers and grilles are open.
 - c) Move thermostat fan switch to AUTO. Blower should stop.
 5. Fully open the manual inlet and outlet valves.
 6. Check water flow. (See Photo 1)
 - a) Connect a water flow meter to the drain cock (12, Fig. 4) between the constant flow valve and the solenoid valve. Run a hose from the flow meter to a drain or sink. Open the drain cock.
 - b) Check the water flow rate through constant flow valve to be sure it is the same as the unit is rated for.
(Example: 4 GPM for a WPV10)
 - c) When water flow is okay, close drain cock and remove the water flow meter. The unit is now ready to start.
 7. Start the unit in cooling mode. ⚠ By moving the thermostat switch to cool, fan should be set for AUTO.
 - a) Check to see the solenoid valve opened.
 8. Check the system refrigerant pressures against the cooling refrigerant pressure curve in the Installation Manual for rated water flow and entering water temperatures. If the refrigerant pressures do not match, check for air flow problem then refrigeration system problem.
 9. Switch the unit to the heating mode. ⚠ By moving the thermostat switch to heat, fan should be set for AUTO.
 - a) Check to see the solenoid valve opened again.
 10. Check the refrigerant system pressures against the heating refrigerant pressure curve in Installation Manual. Once again, if they do not match, check for air flow problems and then refrigeration system problems.
- NOTE: If a charge problem is determined (high or low):
- a) Check for possible refrigerant leaks.
 - b) Discharge all remaining refrigerant from unit.
 - c) Evacuate unit down to 29 inches of vacuum.
 - d) Recharge the unit with refrigerant by weight. This is the only way to insure a proper charge in cap tube system.

⚠ For models with domestic hot water heat exchanger, be sure the water pump switch is off while checking refrigerant system.

UNIT WITH HEAT RECOVERY FOR HEATING DOMESTIC HOT WATER -- WPVD SERIES

GENERAL

Units having a heat recovery coil should only be installed by trained refrigeration technicians. These instructions serve as a guide to the technician installing the heat recovery portion of the unit. They are not intended as a step-by-step procedure with which the mechanically inclined owner can install the unit.

DESCRIPTION

Units with the heat recovery coil mounted at the factory are designed to recover the "waste" heat from the compressor discharge gas and use this "waste" heat to heat domestic hot water. Units so equipped may be identified by the letter "D" in the model number. In addition to the components already described for the heat pump, these units are equipped with an additional water-to-refrigerant coil, a circulating pump and a thermostat to control the operation of the circulating pump. The water-to-refrigerant coil is constructed of two tubes. Water flows through the center tube, refrigerant flows through a surrounding tube, totally separated from the water tube. The space between these two tubes is vented to atmosphere. In the unlikely event a leak should develop, no leakage can occur between the water and the refrigerant.

INSTALLATION

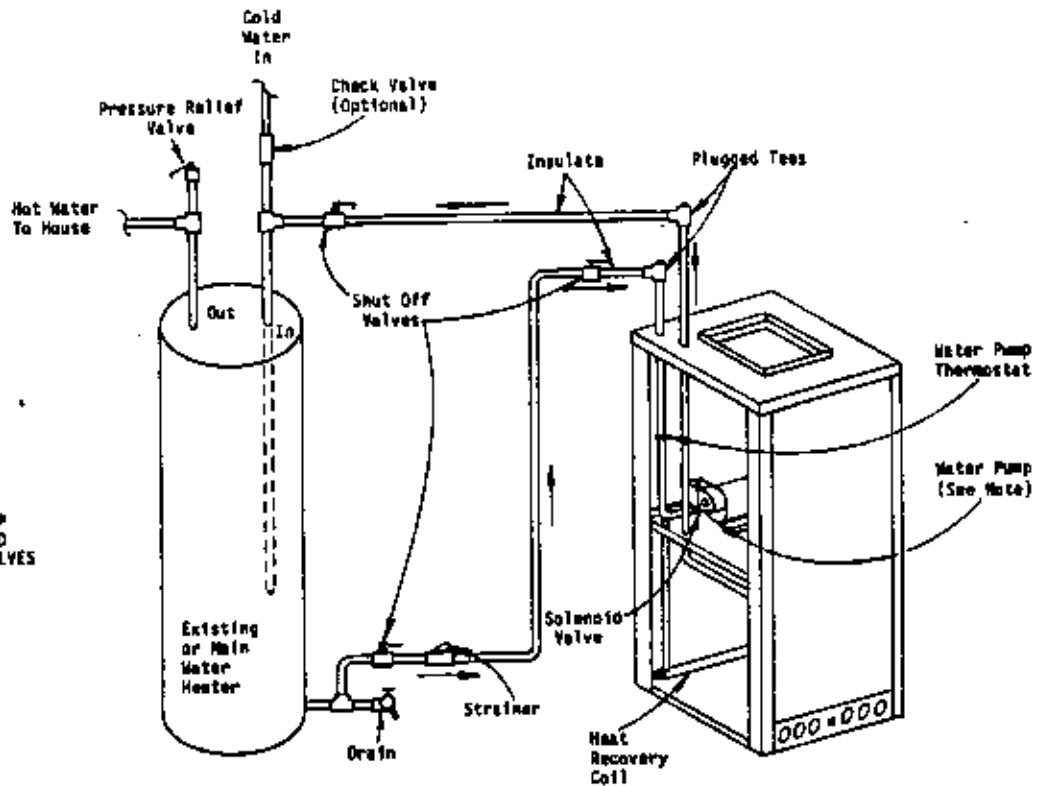
1. TWO TANK. In order to realize the maximum energy savings from the domestic hot water heat recovery unit, it is recommended that a second water storage tank be installed in addition to the main hot water heater. Fossil fuel fired water heaters must be a two tank installation. If the existing water heater is electric, the two tank installation is still the best approach, however, a one tank installation is satisfactory. Tanks specifically intended for hot water storage are available from water heater manufacturers (solar hot water storage tanks). These tanks have special dip tube arrangements, are built without heaters and are constructed with heavier insulation. However, a well insulated electric water heater without the electric heating elements connected will also make a suitable storage tank.

The size of this tank should be as large as space and economy permit but in no event should it be less than one-half of the daily water requirements for the occupants. As a guide in estimating the daily family water requirements, the Department of Energy recommends a figure of 16.07 gallons of hot water per day per individual. For example, a family of four would require 64.3 gallons per day (4 x 16.07).

2. ONE TANK. Where space or first cost economy dictates only one hot water heater, a single tank installation is permissible. It should be noted, however, that the amount of savings realized is reduced.

The single hot water tank may be a new hot water heater (sized in this case to 100% of daily water requirements) or the existing water heater in the case of a retrofit installation. The existing hot water heater should be carefully inspected and any sediment removed by draining the water heater and flushing it until all loose sediment has been flushed away. This sediment, besides cutting down on the efficiency of the water heater and heat recovery unit, could damage the circulating pump, or clog the strainer and stop water flow.

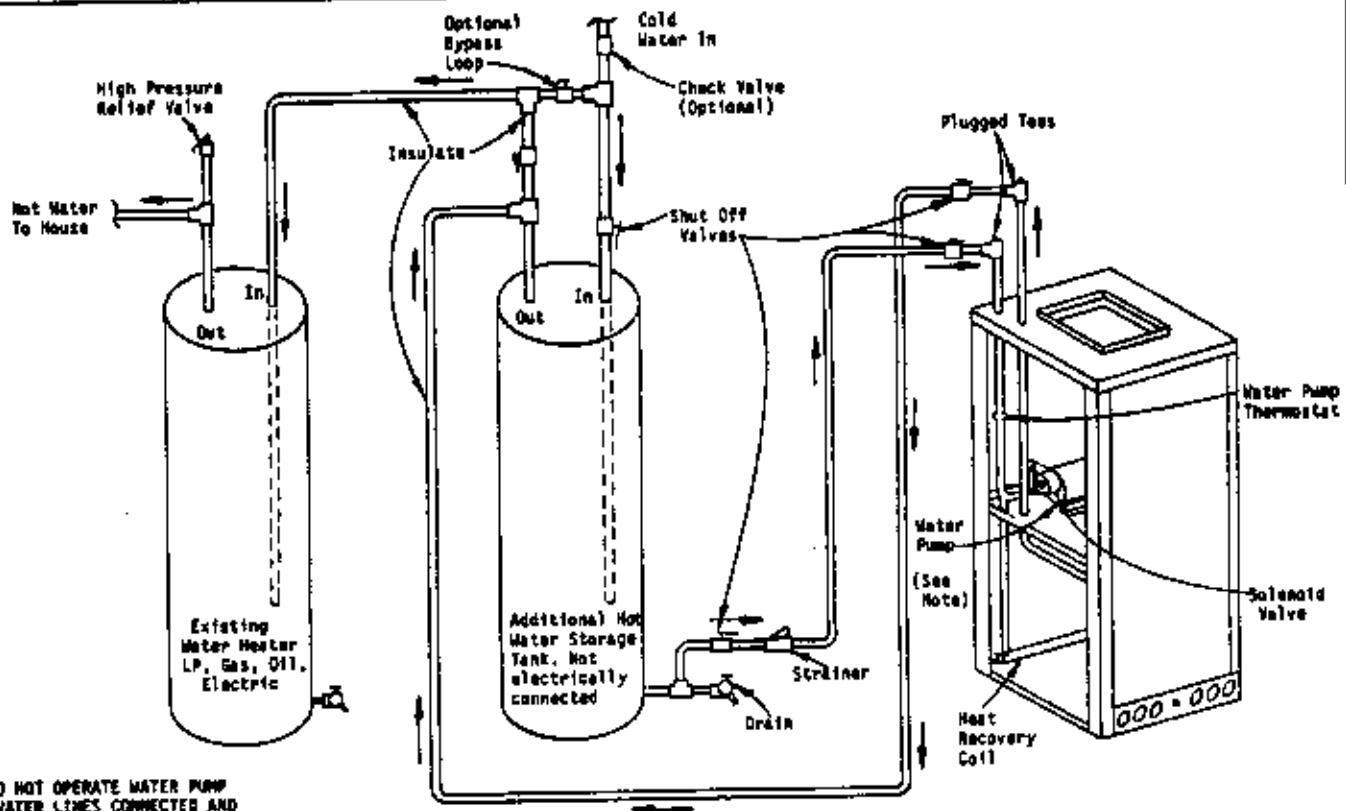
*See page 10 for Start Up Procedures Using Water Regulating Valves.



NOTE: DO NOT OPERATE WATER PUMP WITHOUT WATER LINES CONNECTED AND WATER IN SYSTEM WITH SHUT OFF VALVES OPEN! TURN PUMP SWITCH TO OFF.

TYPICAL "WPVD" MODEL
ONE TANK INSTALLATION
(PERMISSIBLE)

Figure 6



NOTE: DO NOT OPERATE WATER PUMP WITHOUT WATER LINES CONNECTED AND WATER IN SYSTEM WITH SHUT OFF VALVES OPEN! TURN PUMP SWITCH TO OFF.

TYPICAL "WPVD" MODEL
TWO TANK INSTALLATION
(PREFERRED)

Figure 7

START UP AND CHECK OUT (Cont)

10. Repeat steps 5 and 6. Feel the "water in" and "water out" tubes. There should be a noticeable temperature difference. How much temperature difference you measure will depend upon tubing length, flow rate, storage tank temperature and could vary from 1°F to 20°F.

11. Move thermostat system to OFF. Verify that water pump stops.

WATER CORROSION

Two concerns will immediately come to light when considering a water source heat pump, whether for ground water or for a closed loop application: Will there be enough water? And, how will the water quality affect the system?

Water quantity is an important consideration and one which is easily determined. The well driller must perform a pump down test on the well according to methods described by the National Well Water Association. This test, if performed correctly, will provide information on the rate of flow and on the capacity of the well. It is important to consider the overall capacity of the well when thinking about a water source heat pump because the heat pump may be required to run for extended periods of time.

The second concern, about water quality, is equally important. Generally speaking, if the water is not offensive for drinking purposes, it should pose no problem for the heat pump. The well driller or local water softening company can perform tests which will determine the chemical properties of the well water.

Water quality problems will show up in the heat pump in one or more of the following ways:

1. Decrease in water flow through the unit.
2. Decreased heat transfer of the water coil (entering to leaving water temperature difference is less).

There are four main water quality problems associated with ground water. These are:

(1) Biological growth. This is the growth of microscopic organisms in the water and will show up as a slimy deposit throughout the water system. Shock treatment of the well is usually required and this is best left up to the well driller. The treatment consists of injecting chlorine into the well casing and flushing the system until all growth is removed.

(2) Suspended particles in the water. Filtering will usually remove most suspended particles (fine sand, small gravel) from the water. The problem with suspended particles in the water is that it will erode metal parts, pumps, heat transfer coils, etc. So long as the filter is cleaned and periodically maintained, suspended particles should pose no serious problem. Consult with your well driller.

(3) Corrosion of metal. Corrosion of metal parts results from either highly corrosive water (acid water, generally not the case with ground water) or galvanic reaction between dissimilar metals in the presence of water. By using plastic plumbing or di-electric unions galvanic reaction is eliminated. The use of corrosion resistant materials (such as the Cupro Nickel coil) throughout the water system will reduce corrosion problems significantly.

this heat pump produces is usually not high enough to cause the dissolved gas to fall out of solution. Likewise if pressure drops are kept to a reasonable level, no precipitation of carbon dioxide should occur.

REMEDIES OF WATER PROBLEMS

WATER TREATMENT. Water treatment can usually be economically justified for closed loop systems. However, because of the large amounts of water involved with a ground water heat pump, water treatment is generally too expensive.

ACID CLEANING THE WATER COIL OR HEAT RECOVERY UNIT. If scaling of the coil is strongly suspected, the coil can be cleaned up with a solution of Phosphoric Acid (food grade acid). Follow the manufacturer's directions for mixing, use, etc. Refer to the "Cleaning Water Coil", Fig. 9. The acid solution can be introduced into the heat pump coil through the hose bib (Part 8 of Fig. 9). Be sure the isolation valves (Parts 9 and 11 of Fig. 9) are closed to prevent contamination of the rest of the system by the acid. The acid should be pumped from a bucket into the hose bib (Part 8, Fig. 9) and returned to the bucket through the other hose bib (Part 10, Fig. 9). Follow the manufacturer's directions for the product used as to how long the solution is to be circulated, but it is usually circulated for a period of several hours.

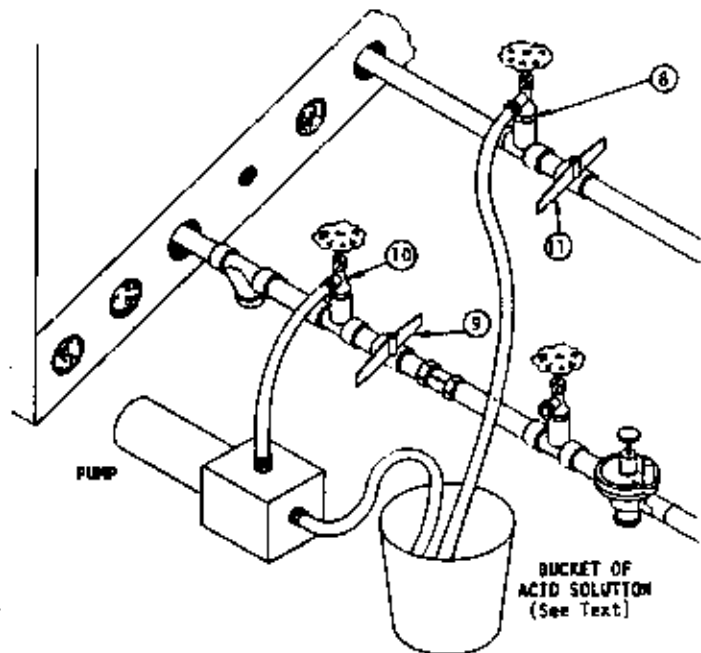


FIGURE 9

**ALTERNATE METHOD OF WATER CONTROL
USING TWO WATER REGULATING VALVES**

Water regulating valves 1 and 2, may be used on all installations having a hot water desuperheater. These valves insure that the proper water flow is maintained to the heat pump in response to variations in the refrigerant pressure. Two valves are manifolded together as shown in Figure 10. One valve V46AC (cooling valve), opens in response to an increase in discharge pressure during the cooling cycle. The other valve, V46NC (heating valve), opens in response to a decrease in suction pressure during the heating cycle. One valve only opens during cooling, the other only opens during heating. The valves should be installed on the LEAVING SIDE OF THE UNIT AS SHOWN. The reason for this location is to maintain pressure on the water system (including the unit water coil) when the unit shuts down. Constant water pressure will help prevent solids, dissolved in the water, from precipitating and causing scaling.

Steps to connect water regulating valve capillaries to unit:

1. The capillaries from the two valves are connected to a field supplied 1/4 inch SAE tee and length of 1/4 inch tubing.
2. Route the tubing through the pipe access panel, (5) through the 7/8 inch hole in the center of the panel.
3. Connect the other end of the 1/4 inch tubing to the branch (no valve core) of the 1/4 inch flare tee with depressor. Avoid having the tubing touch other piping or components inside the unit as constant vibration will weaken the tubing and could cause leaks.
4. **THIS STEP MUST BE DONE LAST TO AVOID LOSS OF REFRIGERANT CHARGE.** Connect the tee's female end (with valve depressor) to the refrigerant port located in the tubing which joins the reversing valve to the water coil.

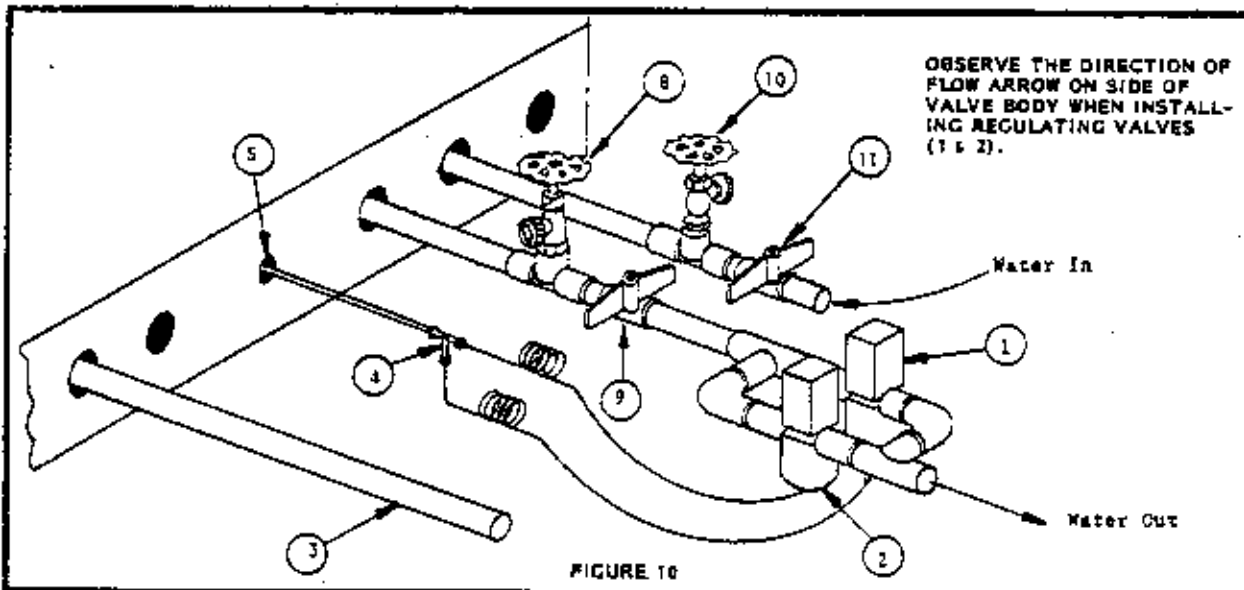
The figure shows the use of shut-off valves (9) and (11), on the in and out water lines to permit isolation of the unit from the plumbing system should future service work require this. Globe valves should not be used as shut-off valves because of the excessive pressure drop inherent in the valve design. Instead use gate or ball valves as shut-offs so as to minimize pressure drop.

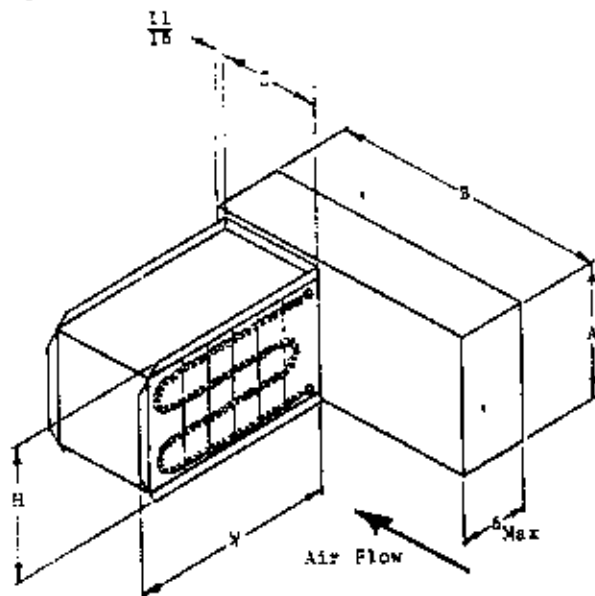
Drain cocks, (8) and (10), and tees have been included to permit acid cleaning the refrigerant-to-water coil should such cleaning be required. See WATER CORROSION.

SYSTEM START-UP PROCEDURE - PRESSURE WATER REGULATING VALVES

1. Be sure main power to the unit is OFF at the disconnect.
2. Set thermostat system switch to OFF, fan switch to AUTO.
3. Move main power disconnect to ON. Power should be on to the unit for a minimum of four hours or sixty minutes per pound of refrigerant. This allows the crankcase heater to drive any refrigerant liquid out of the compressor sump. This procedure should be followed whenever the power has been off for twelve hours or longer. Except as required for safety while servicing—DO NOT OPEN THE UNIT DISCONNECT SWITCH.

4. Check system air flow for obstructions.
 - a) Move thermostat fan switch to ON. Blower runs.
 - b) Be sure all registers and grilles are open.
 - c) Move thermostat fan switch to AUTO. Blower should stop.
5. Cooling mode. (NOTE: If unit is equipped with a heat recovery unit, temporarily disconnect the hot water circulating pump from the electrical circuit by moving pump switch to OFF).
6. Fully open the cooling water regulating valve. (Turn clockwise)
7. Fully close the heating regulating valve. (Turn clockwise)
8. Adjust the manual outlet valve closed until the unit rated water flow is achieved (Example: 4 GPM for WPV30). This flow rate must be measured accurately, either with a flow meter or using into a bucket of known volume.
9. Start unit in cooling mode and let pressures stabilize at least 15 minutes. Then check refrigerant pressures in the system against those in the refrigerant pressure curve in installation manual. They should match for the water flow rate you are using through unit and entering water temperature. If they do not, check for air flow and/or refrigerant system problems, until the pressures do match.
10. Switch the unit to heating mode and operate until pressures stabilize. Now check the system refrigerant pressures against the refrigerant pressure curve for heating. The pressures should once again match the table for water flow rate and entering water temperature. If they do not, once again check for air flow and/or refrigerant system problems.
11. Return the unit to cooling mode, open manual outlet valve full open and adjust the cooling water regulating valve counterclockwise until the head pressure in system matches the head pressures in step 9 above. Check the water flow rate through the unit. It should be approximately the same as the unit is rated at in step 8.
12. Switch the unit to the heating mode and now adjust the heating water regulating valve counterclockwise until the suction pressure matches the suction pressures from step 10 above. Once again check the water flow rate through the unit, it should be approximately the same as the unit is rated at in step 8.
13. If the cooling water regulating valve is adjusted for 120-150 psig discharge pressure, and the temperature surrounding the unit is 70 degrees or higher, a small flow of water may continue through the cooling regulating valve during the off cycle. To correct this, adjust the cooling water regulating valve to obtain a discharge pressure slightly higher (not to exceed 157.2 psig which is equal to 88°F ambient) by reducing the water (GPM) flow rate.





MODEL	WPV30 WPVD30	WPV36 WPVD36	WPV53 WPVD53	WPV62 WPVD62
GPM	PSIG	PSIG	PSIG	PSIG
4	2.0	1.9	--	--
5	3.0	2.0	--	--
6	4.2	2.4	2.5	2.5
7	5.7	3.0	3.2	3.5
8	7.5	3.9	4.0	4.5
9	9.5	5.5	5.2	5.6
10	12.0	7.6	6.5	6.7
11	14.8	10.4	7.7	8.0
12	17.6	13.3	9.0	9.3
13	20.3	20.6	10.5	10.7
14	--	--	12.0	12.3
15	--	--	13.9	15.3
16	--	--	15.8	18.3

PART NO.	PH	VOLTS	KW	MINIMUM AMPACITY	WIRE SIZE Δ		MAX. FUSE	DIMENSIONS			
					Cu	Al		HxA	W	B	C
3604-067	1	240	4.8	25	#10	#8	25	8	12	17	6
3604-068	1	240	3.6	50	#6	#4	50	8	16	17	6
3604-069 Δ	1	240	15.0	79	#3	#1	80	12	18	27	12
3604-070 Δ	1	240	19.2	100	#1	#0	100	12	18	27	12

Δ Use wire suitable for at least 90°C.
 Δ Fused units (over 46 amperes).

MODEL	GPM
WPV30 WPVD30	4
WPV36 WPVD36	5
WPV53 WPVD53	6
WPV62 WPVD62	3*

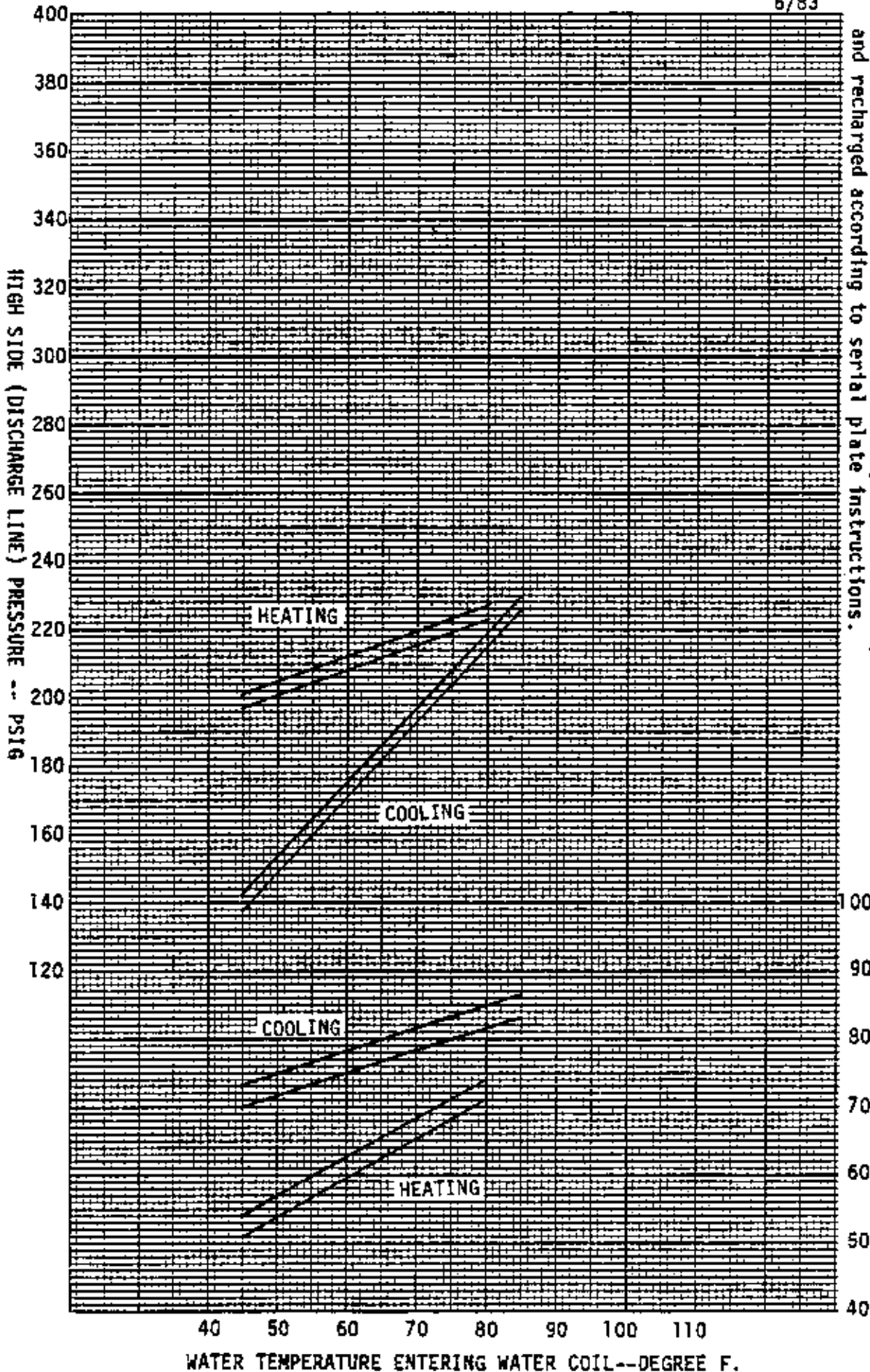
At 50° water and above
16 GPM below 50° water.

MODEL	WPV30, WPVD30 WPV36, WPVD36			WPV53, WPVD53 WPV62, WPVD62 With Optional CW45 Installed			WPV53, WPVD53 WPV62, WPVD62 Without Optional CW45 Installed	
	High	Medium	Low	High	Medium	Low	High	Medium
E.S.P. IN. W.C.								
0	1400	1270	1210	1920	1780	1600	1920	1750
.10	1345	1230	1170	1880	1750	1580	1880	1710
.20	1280	1180	1130	1830	1720	1550	1830	1670
.30	1210	1110	1090	1810	1680	1540	1750	1630
.40	1150	1070	1040	1750	1630	1500	1700	1570
.50	1050	1000	980	1650	1570	1440	1610	1520
.60	970	890	900	1580	1500	1400	1530	1450

MODEL	RATED CFM	RECOMMENDED AIR FLOW RANGE—CFM
WPV30 WPVD30	1000	900 - 1090
WPV36 WPVD36	1200	1070 - 1345
WPV53 WPVD53	1550	1400 - 1700
WPV62 WPVD62	1700	1530 - 1830

PART NO.	MIN. AVAILABLE PRESSURE PSIG	FLOW RATE GPM
8603-007	15 Δ	6
8603-008	15 Δ	8
8603-010	15 Δ	4
8603-011	15 Δ	5

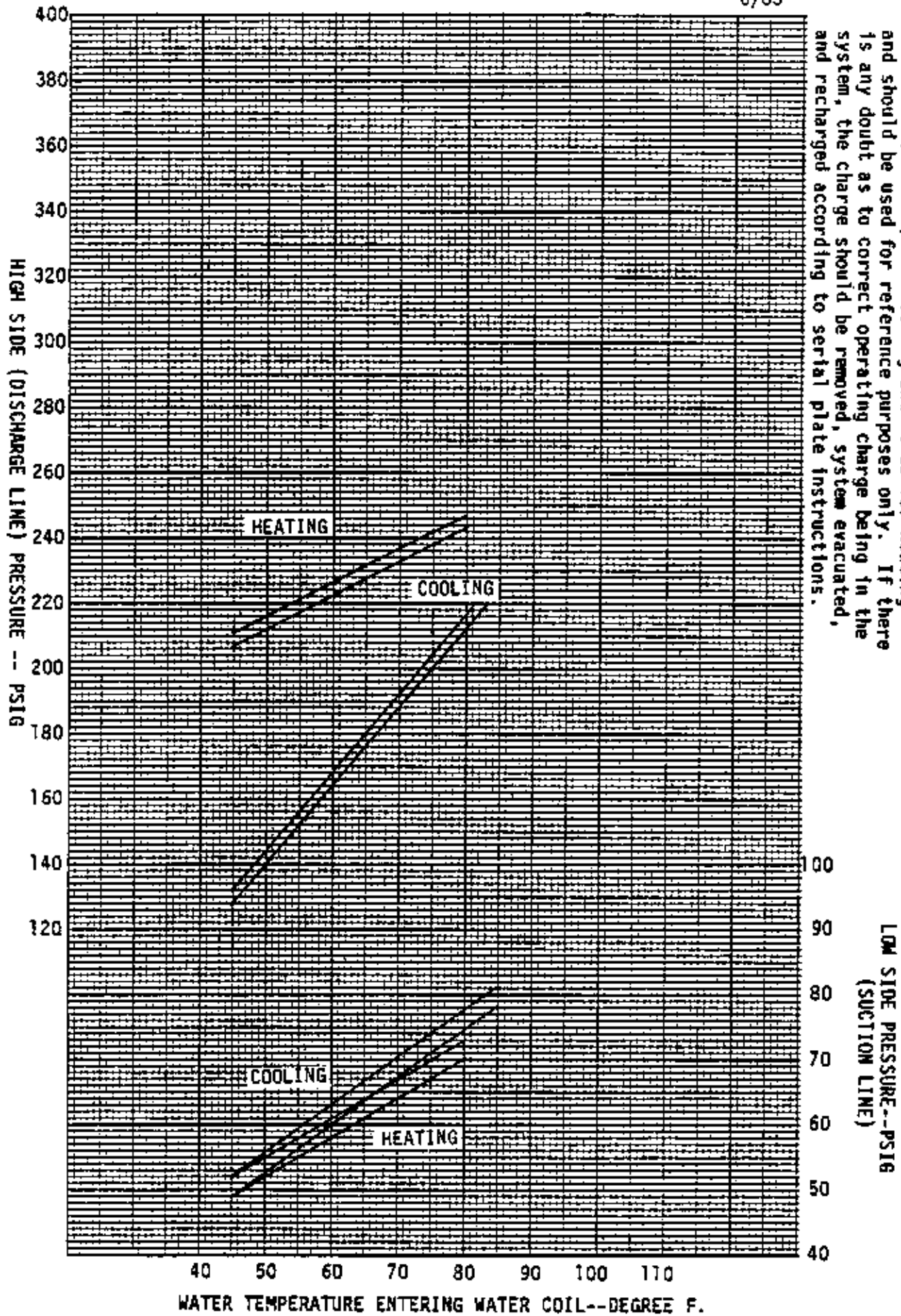
Δ The pressure drop through the constant flow valve will vary depending on the available pressure ahead of the valve. Unless a minimum of 15 psig is available immediately ahead of the valve no water will flow.



These curves are based upon 80°DB, 67°WB R.A. Temp. and Rated CFM (airflow) for cooling and 70°DB for heating and should be used for reference purposes only. If there is any doubt as to correct operating charge being in the system, the charge should be removed, system evacuated, and recharged according to serial plate instructions.

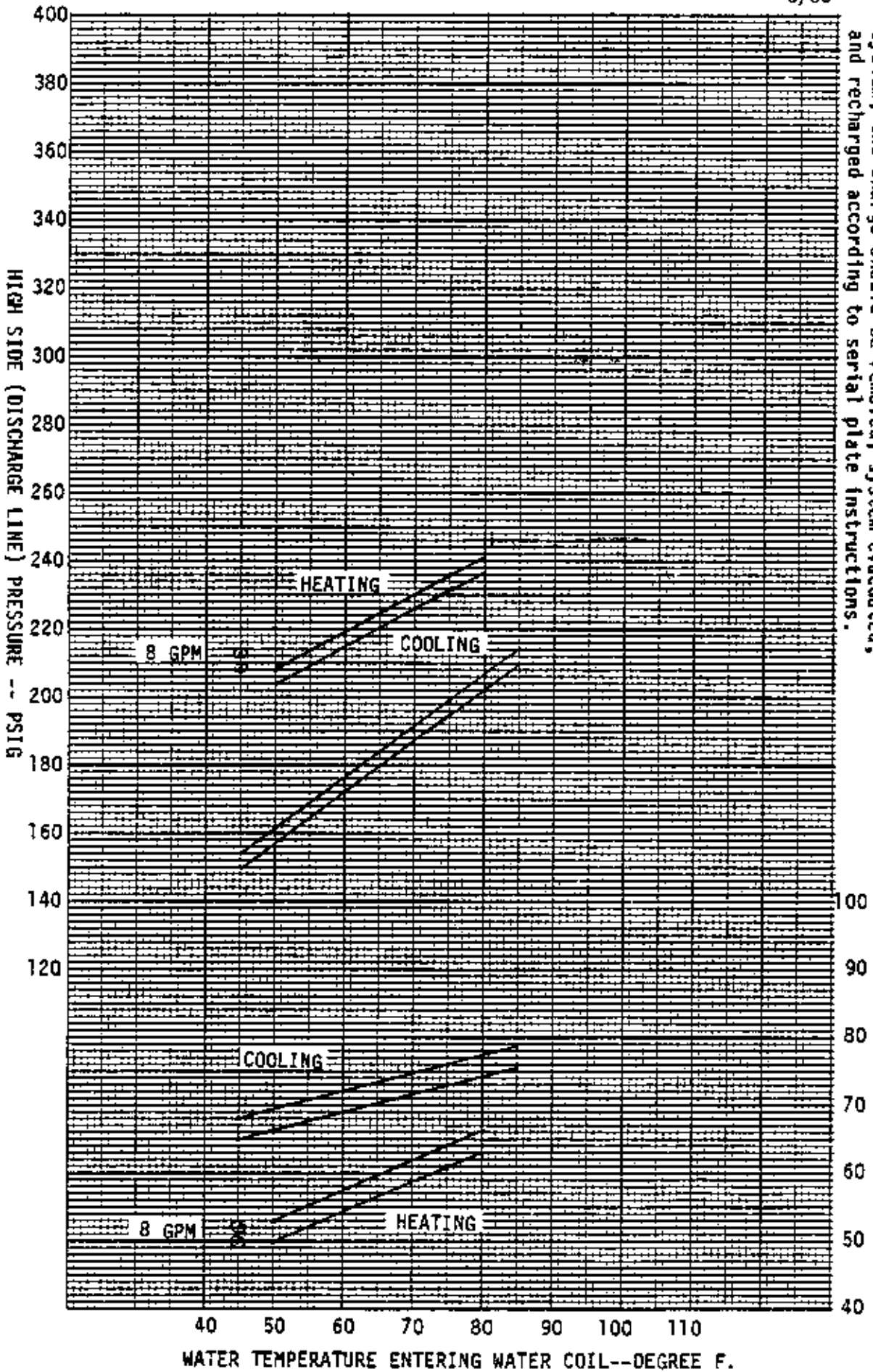
NOTE: On units with heat recovery coil (WPVD) turn water pump switch to "off" before measuring refrigerant pressures.

LOW SIDE PRESSURE--PSIG (SUCTION LINE)



These curves are based upon 80°DB, 67°WB R.A. Temp. and Rated CFM (air-flow) for cooling and 70°DB for heating and should be used for reference purposes only. If there is any doubt as to correct operating charge being in the system, the charge should be removed, system evacuated, and recharged according to serial plate instructions.

NOTE: On units with heat recovery coil (WPVD) turn water pump switch to "off" before measuring refrigerant pressures.



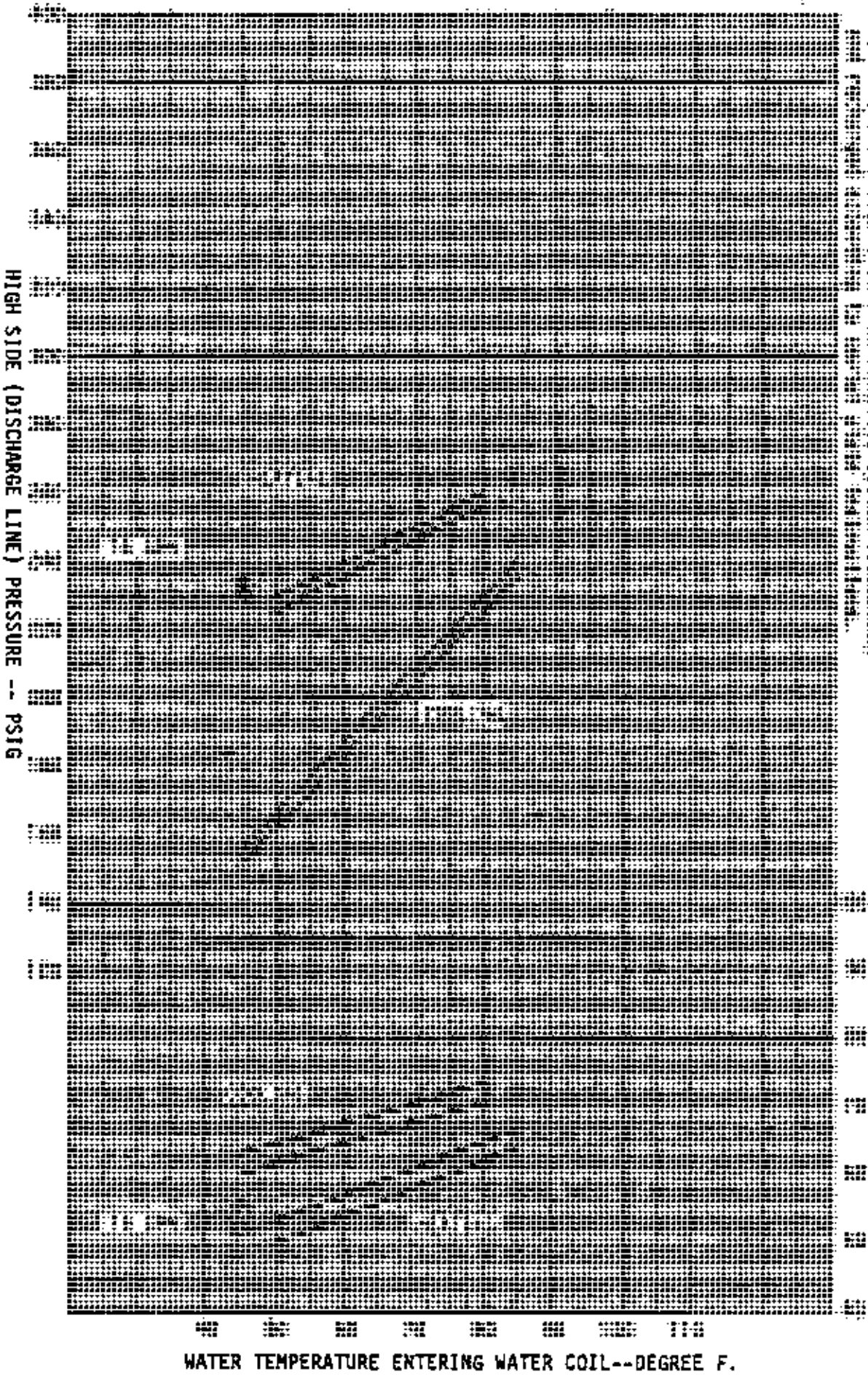
These curves are based upon 80°DB, 67°WB R.A. Temp. and Rated CFM (airflow) for cooling and 70°DB for heating and should be used for reference purposes only. If there is any doubt as to correct operating charge being in the system, the charge should be removed, system evacuated, and recharged according to serial plate instructions.

NOTE: On units with heat recovery coil (WPVD) turn water pump switch to "off" before measuring refrigerant pressures.

LOW SIDE PRESSURE--PSIG (SUCTION LINE)

These curves are based upon 80°F DB, 67°F WB R.A. Temp. and
 standard cond. inlet temp. The condensing and suction line
 temp. should not be raised for refrigerant pressures of 200 psig or less.
 The amp. demand of the compressor should be checked against the
 system. The condenser should be checked against a 300 ft. water column.
 Good refrigerant distribution is essential for proper system operation.

NOTE: On units with heat recovery coil (WPVD)
 turn water pump switch to "off" before measuring
 refrigerant pressures.



HIGH SIDE (DISCHARGE LINE) PRESSURE -- PSIG

WATER TEMPERATURE ENTERING WATER COIL--DEGREE F.

PARTS LIST
WATER SOURCE
PACKAGE HEAT PUMPS

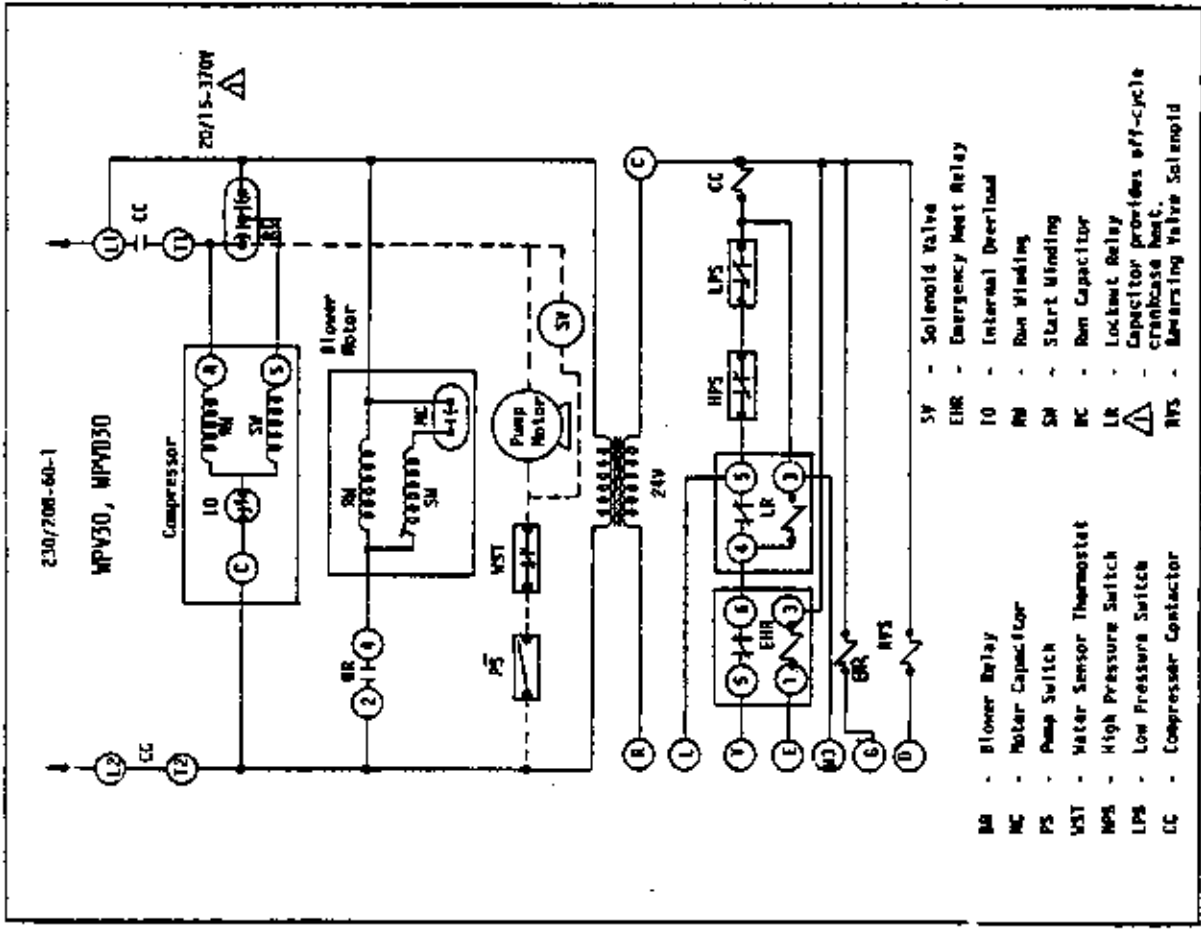
PART NO.	DESCRIPTION	MPV10	MPV30	MPV36	MPV036
5152-046	Blower Assembly	X	X	X	X
8552-035	Capacitor 40 MFD - 370V 2" Round	X	X	X	X
8552-007	Capacitor 20/15 MFD - 370V 2" Oval	X	X	X	X
8552-002	Capacitor - Blower 5MFD 370V	X	X	X	X
5811-034	Capillary Tube - Heating	(2)	(2)	(2)	(2)
5811-016	Capillary Tube - Heating	(3)	(3)	(3)	(3)
5811-012	Capillary Tube - Cooling	X	X	X	X
5811-014	Capillary Tube - Cooling	X	X	X	X
5651-036	Check Valve	X	X	X	X
8000-071	Compressor AB225HT-315-A4	X	X	X	X
8000-052	Compressor C361-0250-PFV-270	X	X	X	X
5052-001	Condenser Coil	X	X	X	X
5052-002	Condenser Coil	X	X	X	X
8401-007	Contact - Compressor	X	X	X	X
5052-005	Desuperheater Coil	X	X	X	X
5050-012	Evaporator Coil	X	X	X	X
7004-017	Filter 22 x 22 x 1	X	X	X	X
8406-016	High Pressure Switch	X	X	X	X
8406-015	Low Pressure Switch	X	X	X	X
8105-010	Motor - Blower 1/3 hp	X	X	X	X
8206-003	Motor Mount	X	X	X	X
5451-011	Motor Mounting Parts	X	X	X	X
8201-008	Relay - Blower	X	X	X	X
8201-034	Relay - Lockout	X	X	X	X
5650-005	Reversing Valve	X	X	X	X
5650-009	Reversing Valve	X	X	X	X
5650-008	Reversing Valve Solenoid	X	X	X	X
5210-003	Strainer-Cooling	X	X	X	X
5210-004	Strainer-Heating	X	X	X	X
8607-011	Terminal Board 24V	X	X	X	X
8407-015	Transformer	X	X	X	X
8300-001	Water Pump	X	X	X	X
8408-007	Water Pump Thermostat	X	X	X	X
8201-015	Emergency Heat Relay	X	X	X	X
5650-011	Solenoid Valve 65300	X	X	X	X
OPTIONAL ITEMS:					
8604-067	Duct Heater 4.8kw	X	X	X	X
8604-068	Duct Heater 9.6kw	X	X	X	X
8604-069	Duct Heater 15.0kw	X	X	X	X
8604-070	Duct Heater 19.2kw	X	X	X	X
8603-065	Gauge Adapter	X	X	X	X
8603-001	Regulating Valve-Cooling	X	X	X	X
8603-002	Regulating Valve-Heating	X	X	X	X
5010-006	Tee - 1/4 inch flare w/valve depressor	X	X	X	X
8603-003	Test Plug	X	X	X	X

Minimum Met Billing \$15.00. Supersedes all previous lists.
Subject to change without notice. F.O.B. Bryan, Ohio.

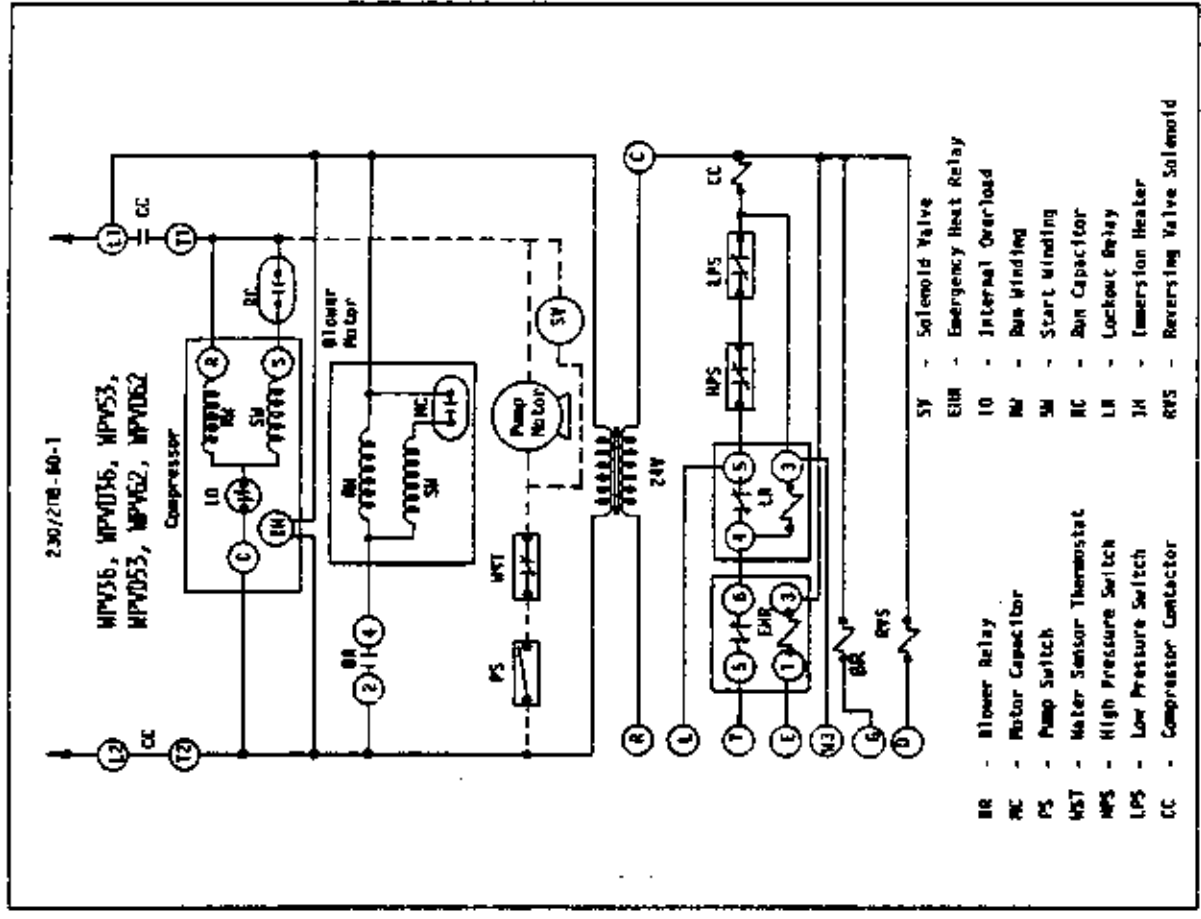
PARTS LIST
WATER SOURCE
PACKAGE HEAT PUMPS

PART NO.	DESCRIPTION	MPV53	MPV053	MPV062
5202-004	Accumulator	X	X	X
5152-010	Blower Housing 10-7	X	X	X
8552-030	Blower Wheel 0010-7A	X	X	X
8552-036	Capacitor - Comp. 40MFD-440V 2 1/2" Round	X	X	X
8552-004	Capacitor - Comp. 70MFD-370V 2 1/2" Round	X	X	X
5811-017	Capacitor - Blower 7.5 MFD 370V, 1 1/2" Oval	X	X	X
5811-014	Capillary Tube - Cooling	(3)	(3)	(3)
5811-016	Capillary Tube - Heating	(3)	(3)	(3)
5811-027	Capillary Tube - Cooling & Heating	(3)	(3)	(6)
5651-036	Check Valve	X	X	X
8000-072	Compressor AV144ET-001-A4	X	X	X
8000-068	Compressor AG123ET-002-A4	X	X	X
5052-006	Condenser Coil - Cupro Nickel	X	X	X
5052-007	Condenser Coil - Cupro Nickel	X	X	X
8401-007	Contact - Compressor	X	X	X
8401-003	Contact - Compressor	X	X	X
5052-005	Desuperheater Coil	X	X	X
5265-009	Evaporator Coil	X	X	X
5202-007	Accumulator	X	X	X
7004-018	Filter 1 x 25 x 25	X	X	X
8406-016	High Pressure Switch	X	X	X
8406-015	Low Pressure Switch	X	X	X
8106-017	Motor - Blower 1/2 hp	X	X	X
8200-003	Motor Mount	X	X	X
5451-011	Motor Mounting Parts	X	X	X
8201-008	Relay - Blower	X	X	X
8201-015	Relay - Emergency Heat	X	X	X
8201-034	Relay - Impedance	X	X	X
5450-006	Reversing Valve	X	X	X
5650-006	Reversing Valve	X	X	X
5650-011	Solenoid Valve	X	X	X
5210-009	Strainer	X	X	X
8607-011	Terminal Block	X	X	X
8406-020	Toggle Switch	X	X	X
8407-015	Transformer	X	X	X
8300-001	Water Pump 1-Stat	X	X	X
8408-007	Water Pump 1-Stat	X	X	X
OPTIONAL ITEMS:				
8604-067	Duct Heater 4.8 Kw	X	X	X
8604-068	Duct Heater 9.6 Kw	X	X	X
8604-069	Duct Heater 15.0 Kw	X	X	X
8604-070	Duct Heater 19.2 Kw	X	X	X
8603-065	Gauge Adapter	X	X	X
8603-001	Regulating Valve - Cooling	X	X	X
8603-002	Regulating Valve - Heating	X	X	X
5010-006	Tee - 1/4 inch flare w/valve depressor	X	X	X
8603-003	Test Plug	X	X	X

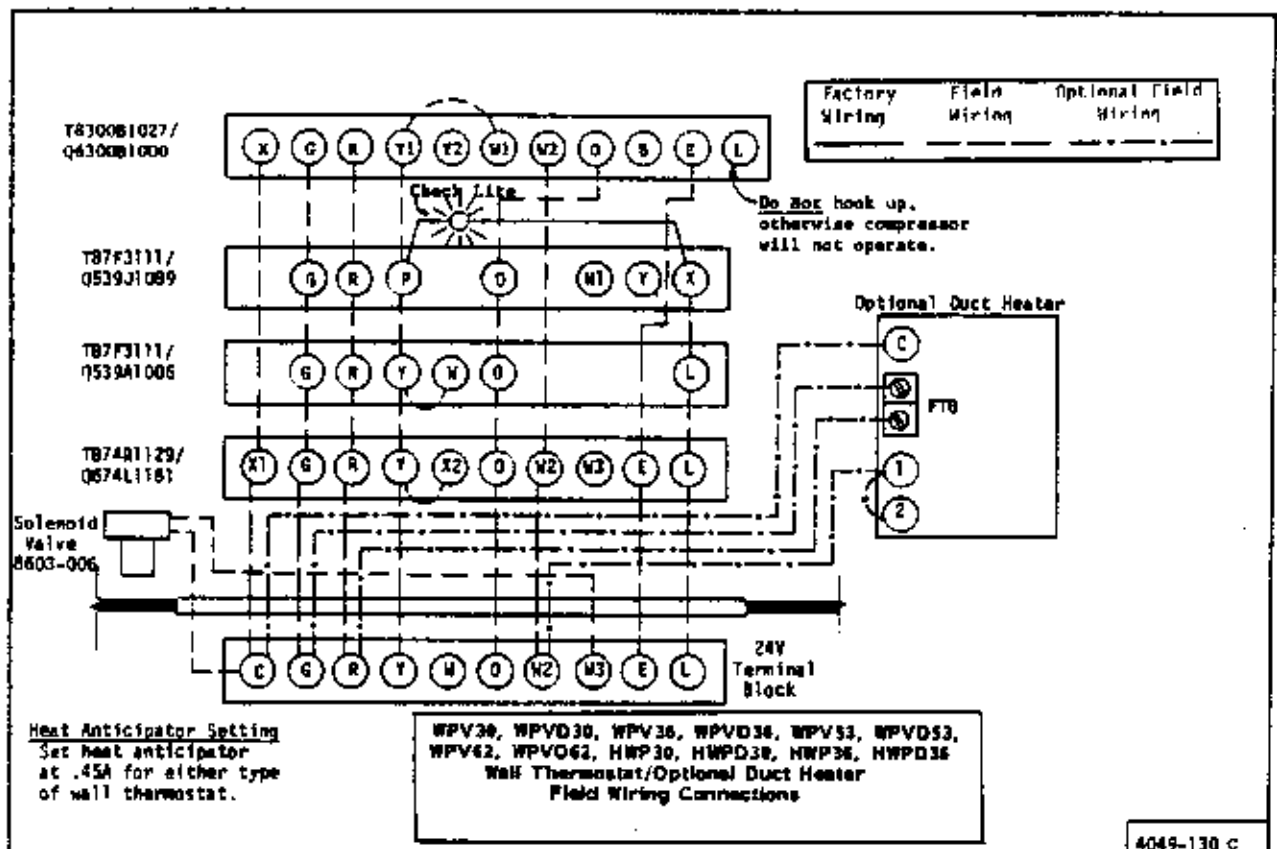
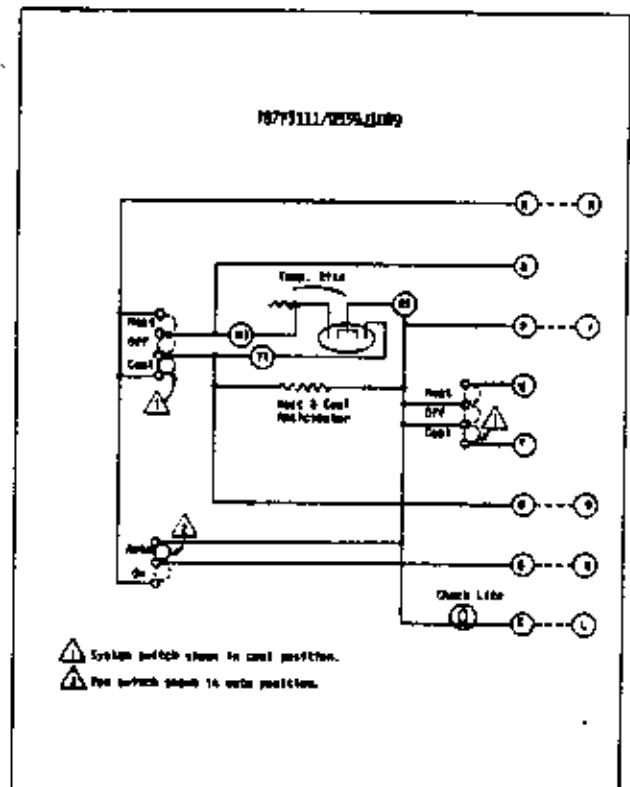
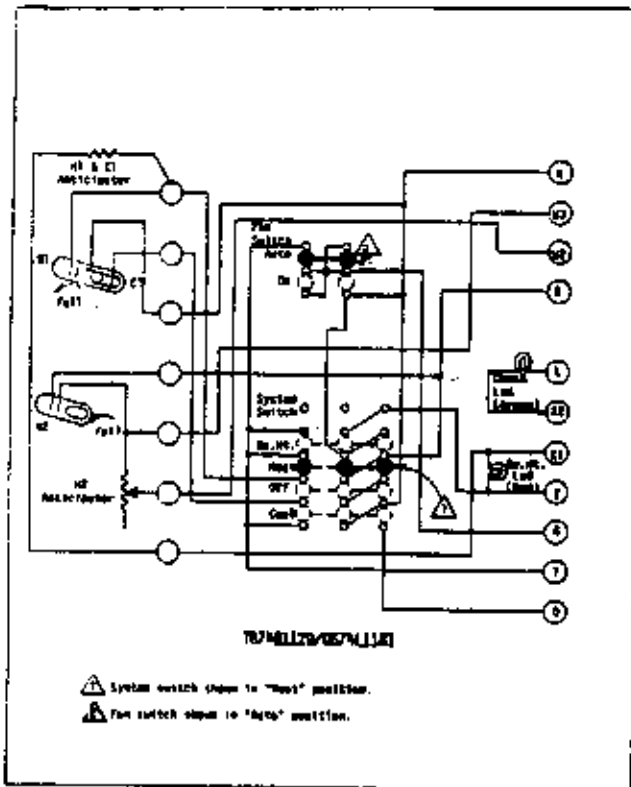
Please order by model number.

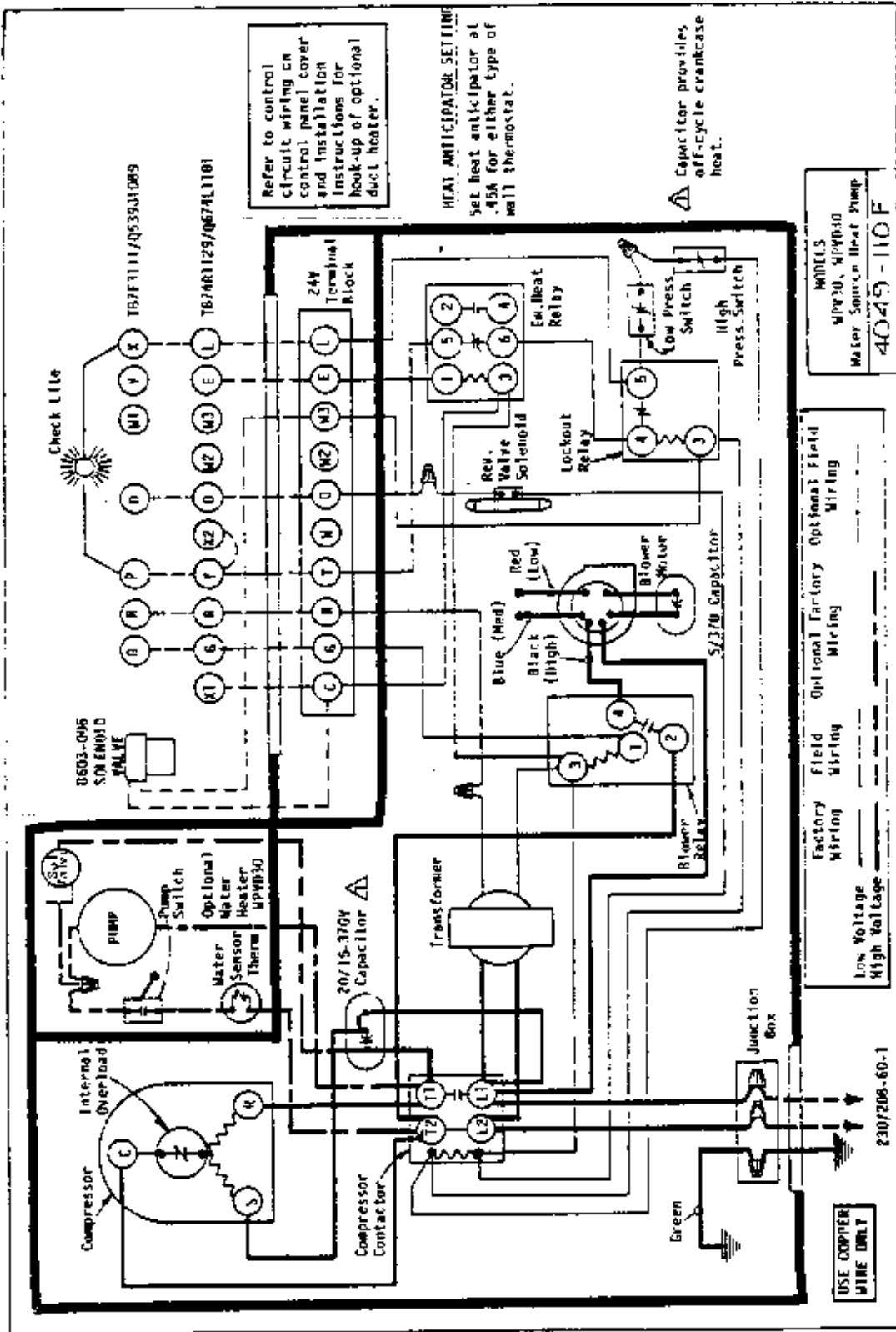


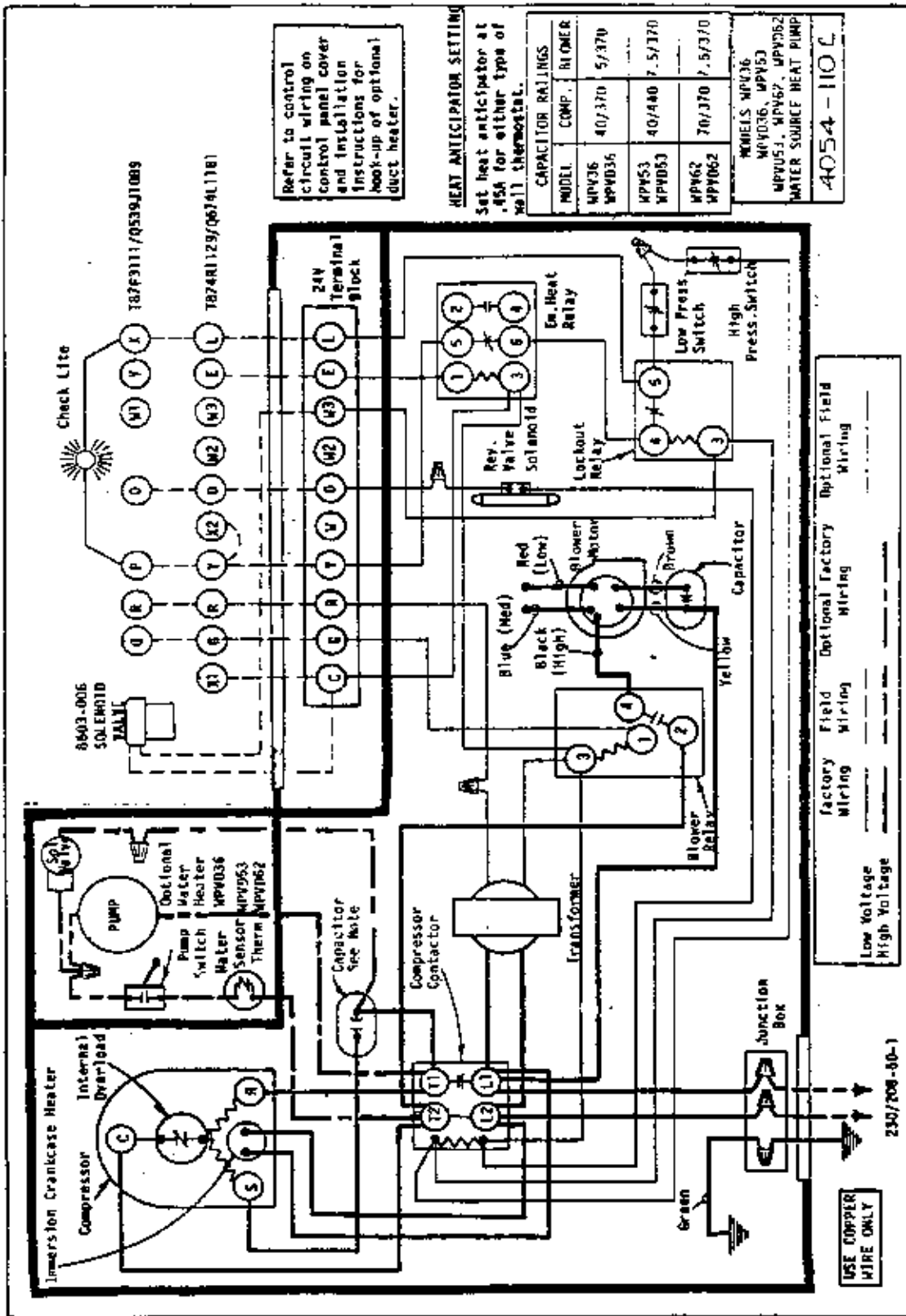
4049-600A



4049-801A







**PERFORMANCE CHECK
WATER SOURCE HEAT PUMPS**

**INSTALLER PLEASE FILL OUT AND
RETAIN WITH UNIT**

DATE OF INSTALLATION _____ MODEL NO(S) _____ SERIAL NO(S) _____

ITEM	COOLING	HEATING	JOB NUMBER
1. HEAD PRESSURE			NAME OF INSTALLER
2. SUCTION PRESSURE			NAME OF OWNER
3. WATER TEMP. (IN)			ADDRESS
4. WATER TEMP. (OUT)			CITY STATE
5. WATER PRESSURE (IN)			
6. WATER PRESSURE (OUT)			FIELD COMMENTS:
7. WATER FLOW (GPM)			
8. AMPERES (BLOWER)			
9. AMPERES (COMPRESSOR)			
10. LINE VOLTAGE (COMPRESSOR RUNNING)			
11. AIR TEMP. (IN) D.B.			
W.B.			
12. AIR TEMP. (OUT) D.B.			
W.B.			
13. DESUPERHEATER H ₂ O TEMP. (IN)			
14. DESUPERHEATER H ₂ O TEMP. (OUT)			

*This PERFORMANCE CHECK SHEET should be
filled out by installer and retained with unit.*



PERFORMANCE CHECK
WATER SOURCE HEAT PUMPS

INSTALLER
PLEASE FILL OUT
AND RETURN TO
BARD MANUFACTURING CO.

Please fill out as much of the below information as you can.
This information is needed by our Service Department to better
assist you in the event of possible future service needs.

DATE OF INSTALLATION _____ MODEL NO(S) _____ SERIAL NO(S) _____

ITEM	COOLING	HEATING	JOB NUMBER
1. HEAD PRESSURE			NAME OF INSTALLER
2. SUCTION PRESSURE			NAME OF OWNER
3. WATER TEMP.(IN)			ADDRESS
4. WATER TEMP. (OUT)			CITY STATE
5. WATER PRESSURE (IN)			
6. WATER PRESSURE (OUT)			FIELD COMMENTS:
7. WATER FLOW (GPM)			
8. AMPERES (BLOWER)			
9. AMPERES (COMPRESSOR)			
10. LINE VOLTAGE (COMPRESSOR RUNNING)			
11. AIR TEMP.(IN) D.B.			
W.B.			
12. AIR TEMP.(OUT) D.B.			
W.B.			
13. DESUPERHEATER H ₂ O TEMP. (IN)			
14. DESUPERHEATER H ₂ O TEMP. (OUT)			

This PERFORMANCE CHECK SHEET should be
filled out by installer and returned to:

Bard Manufacturing Company
P.O. Box 807
Bryan, Ohio 43506