

STANDARD EFFICIENCY GAS FURNACE USER'S INFORMATION MANUAL

FOR YOUR SAFETY

Do not store or use gasoline or other flammable vapors and liquids in the vicinity of this or any other appliance.

WARNING

Improper installation, adjustment, alteration, service or maintenance can cause injury or property damage. Refer to this manual. For assistance or additional information, consult a qualified installer, service agency or the gas supplier.

FOR YOUR SAFETY

WHAT TO DO IF YOU SMELL GAS

- *Do not try to light any appliance.
- *Do not touch any electrical switch; do not use any phone in your building.
- *Immediately call your gas supplier from a neighbor's phone. Follow the gas supplier's instructions.
- *If you cannot reach your gas supplier, call the fire department.

MANUAL 2100-031 REV. G
SUPERSEDES REV. F
FILE VOL. I, TAB 2

COPYRIGHT JANUARY, 1990
BARD MANUFACTURING COMPANY
BRYAN, OHIO

TABLE OF CONTENTS

General	1
Clearances	1
Be Sure To Observe The Following Rules	1
Combustion and Ventilating Air	1
Lighting and Shutdown Instructions	2
Lighting Instructions	2
Intermittent Pilot Model--Lighting Instructions	3
To Shut Down Unit	3
Standing Pilot Model--Lighting Instructions	4
To Shut Down Unit	4
Air Filters	11
Filter Locations--Removal and Replacement Prodedures--All H1-Boy Furnaces .	11
Alternate Bottom Filter Location	12
Alternate Side Filter Rack	12
Filter Locations--Counterflow Models	13
Lubrication Requirements	14
Fan Belt Adjustment (H and EH200A Models)	14
Furnace Examination	14
Vent Safety Shutoff System	17

FIGURES AND TABLES

Figure 1	2
Figure 2	2
Figure 3	5
Figure 4	6
Figure 5	7
Figure 6	8
Figure 7	9
Figure 8	9
Figure 9	10
Figure 10.	10
Figure 11.	12
Figure 12.	12
Figure 13.	13
Figure 14.	14
Figure 15.	14
Figure 16.	16
Figure 17.	16
Figure 18.	16
Figure 19.	17
Figure 20.	17
Table 1	11

GENERAL

The warnings shown on the cover of this manual and the information on the following pages are very important and should be fully read and understood by the operator of this equipment. Please take the few minutes necessary to completely read this booklet, and if there are any questions when you are through, ask your installer to review them with you. Please retain this booklet for future reference.

CLEARANCES

There are certain minimum installation clearances from the furnace cabinet and sheet metal plenum attached to the top of the furnace to any combustible materials. These clearances for each model of furnace are shown on the furnace rating plate (located in the burner compartment) and are the responsibility of the furnace installer during the installation of the appliance.

It is the user's responsibility to make sure these clearances are always maintained thereafter. Additionally, a minimum of 24 inches of serviceability of furnace is required from the front of all models.

A furnace installed in an attic or other insulated space must be kept free and clear of insulating material. The furnace area should be examined when the furnace is installed or when any additional insulation is added. Some insulating materials may be combustible.

BE SURE TO OBSERVE THE FOLLOWING RULES

1. DO NOT allow any cardboard, newspapers, or any other combustible material (this includes wood, 2 x 4's, etc.) within the above specified minimum clearances. This includes placing any combustibles on or against the sheet metal plenum attached to the top of the furnace.
2. DO NOT use this furnace if any part has been under water. Immediately call a qualified service technician to inspect the furnace and to replace any part of the control system and any gas control which has been under water.
3. The furnace area is to be kept clear and free of combustible materials, solvents, painting supplies, and any other flammable vapors or liquids.

COMBUSTION AND VENTILATING AIR

Whether your furnace is installed in a closet, basement, garage or other location as dictated by the particular application, an adequate source of fresh outside air has been provided by the installer to allow proper combustion and venting of the products of combustion to the outside of the building.

It is again the responsibility of the user to assure that this important flow of combustion and ventilating air is not obstructed from reaching the furnace.

Do not block or obstruct air openings on the furnace, air openings communicating with the area in which the furnace is installed, and the spacings around the furnace.

LIGHTING AND SHUTDOWN INSTRUCTIONS

Reference should be made to Figures 1 and 2 for general location of components referenced in the following "Lighting Instructions".

CAUTION

Should overheating occur, or the gas supply fail to shut off, shut off the manual gas valve to the furnace before shutting off the electrical supply.

FIGURE 1

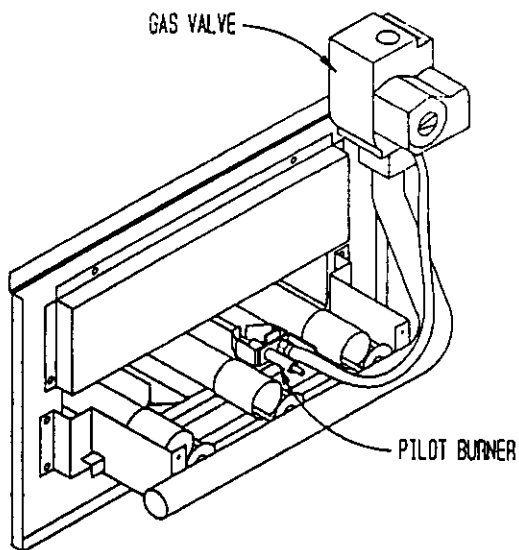
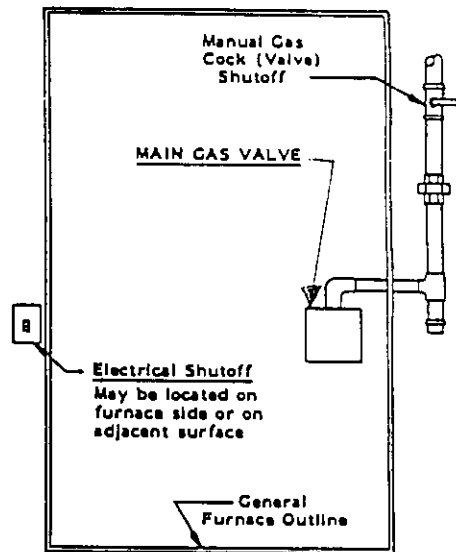


FIGURE 2



LIGHTING INSTRUCTIONS

CAUTION

Do not attempt to manually light the pilot.

Reference Figures 3 and 7 for model EH200A. Reference Figures 4 and 8 for all "EH" and "EC" models except EH200A.

Reference Figures 5 and 9 for H200A

Reference Figures 6 and 10 for all "H" and "C" series models except for H200A.

INTERMITTENT PILOT MODELS--LIGHTING INSTRUCTIONS

This unit is equipped with an automatic ignition system that will light the pilot when gas and electric power is supplied to the unit and the thermostat calls for heat. After the pilot is proven, the main burner will light.

CAUTION

Do not attempt to manually light the pilot.

1. Turn gas cock knob on main gas valve within unit to "off" position. If external gas cock is used, turn to "off" position. Turn "off" main electrical supply and set thermostat to lowest setting.

Allow five minutes for any gas in the unit to escape.

L.P. gas being heavier than air may require forced ventilation.

2. If the furnace has a vent damper, it must be open during the 5 minute "off" cycle. It should automatically open when its switch is turned "off". Check instructions located at the shaft end of the damper (end opposite of control box).
3. Turn gas cock knob on main gas valve and external gas cock to "on" position.
4. Turn "on" main electrical supply to unit, and set the thermostat above the indicated temperature. Set "system" switch to "heat" or "auto" when combination heating and cooling thermostat is provided. Observe that pilot and main burner are operating properly.
5. Set thermostat to desired temperature.
6. If burner fails to ignite, repeat steps one through four. If burner still fails to ignite, shut down the furnace and have qualified service personnel investigate the problem.

TO SHUT DOWN UNIT

1. Turn thermostat to lowest setting.
2. Turn "off" manual gas valve external to unit.
3. Turn gas cock on main gas valve to "off" position.
4. Turn "off" main electrical supply to unit.

STANDING PILOT MODELS--LIGHTING INSTRUCTIONS

This unit is equipped with a continuous burning pilot system. Once the pilot is lit and the safety circuit proven, the thermostat will automatically turn on and off the main burners.

1. Turn gas cock knob on main gas valve within unit to "off" position. If external gas cock is used, turn to "off" position. Turn "off" main electrical supply and set thermostat to lowest setting.

Allow five minutes for any gas in unit to escape.

L.P. gas being heavier than air may require forced ventilation.

2. If furnace has a vent damper, it must be open during the 5 minute "off" cycle. It should automatically open when its switch is turned "off". Check instructions located at the shaft end of the damper (end opposite of control box).
3. Turn "on" external gas cock. Depress main gas valve control knob slightly and turn to "pilot" position, then depress fully and light pilot with a match or candle.
4. Hold the control knob down for about one minute, and then release. If pilot flame does not continue to burn, repeat steps one through three. Turn control knob to "on" position.
5. Turn "on" main electrical supply to unit, and set the thermostat above the indicated temperature. Set "system" switch to "heat" or "auto" when combination heating and cooling thermostat is provided. Observe that main burner is operating properly.
6. Set thermostat to desired temperature.
7. If pilot fails to stay lit or burner does not ignite properly, shut down the furnace and have qualified service personnel investigate the problem.

TO SHUT DOWN UNIT

1. Turn thermostat to lowest setting.
2. Turn "off" manual gas valve external to unit.
3. Turn gas cock on main gas valve to "off" position.
4. Turn "off" main electrical supply to unit.



FIGURE 3
ALL "EH" AND "EC" MODELS 140,000 BTU AND LARGER

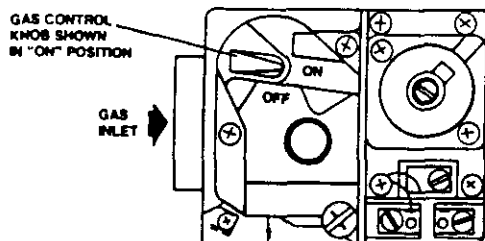
FOR YOUR SAFETY READ BEFORE OPERATING

WARNING: If you do not follow these instructions exactly, a fire or explosion may result causing property damage, personal injury or loss of life.


- A. This appliance is equipped with an ignition device which automatically lights the pilot. Do not try to light the pilot by hand.
- B. BEFORE OPERATING smell all around the appliance area for gas. Be sure to smell next to the floor because some gas is heavier than air and will settle on the floor.
- WHAT TO DO IF YOU SMELL GAS**
- Do not try to light any appliance.
 - Do not touch any electric switch; do not use any phone in your building.
 - Immediately call your gas supplier from a neighbor's phone. Follow the gas supplier's instructions.
- If you cannot reach your gas supplier, call the fire department.
- C. Use only your hand to push in or turn the gas control knob. Never use tools. If the knob will not push in or turn by hand, don't try to repair it, call a qualified service technician. Force or attempted repair may result in a fire or explosion.
- D. Do not use this appliance if any part has been under water. Immediately call a qualified service technician to inspect the appliance and to replace any part of the control system and any gas control which has been under water.

OPERATING INSTRUCTIONS

1. STOP! Read the safety information above on this label.
2. Set the thermostat to lowest setting.
3. Turn off all electric power to the appliance.
4. This appliance is equipped with an ignition device which automatically lights the pilot. Do not try to light the pilot by hand.
5. Remove control access panel.
6. Push in gas control knob slightly and turn clockwise  to "OFF."
NOTE: Knob cannot be turned to "OFF" unless knob is pushed in slightly. Do not force.
7. Wait five (5) minutes to clear out any gas. If you then smell gas, STOP! Follow "B" in the safety information above on this label. If you don't smell gas, go to next step.
8. Turn gas control knob counterclockwise  to "ON."
9. Replace control access panel.
10. Turn on all electric power to the appliance.
11. Set thermostat to desired setting.
12. If the appliance will not operate, follow the instructions "To Turn Off Gas To Appliance" and call your service technician or gas supplier.



TO TURN OFF GAS TO APPLIANCE

1. Set the thermostat to lowest setting.
2. Turn off all electric power to the appliance if service is to be performed.
3. Remove control access panel.
4. Push in gas control knob slightly and turn clockwise  to "OFF." Do not force.
5. Replace control access panel.

7961-218



FIGURE 4
ALL "EH" AND "EC" MODELS 120,000 BTU AND SMALLER

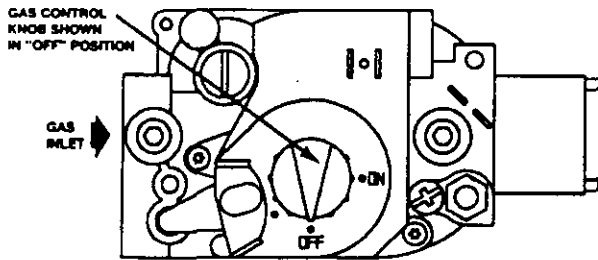
FOR YOUR SAFETY READ BEFORE OPERATING

WARNING: If you do not follow these instructions exactly, a fire or explosion may result causing property damage, personal injury or loss of life.


- A. This appliance is equipped with an ignition device which automatically lights the pilot. Do not try to light the pilot by hand.
- B. **BEFORE OPERATING** smell all around the appliance area for gas. Be sure to smell next to the floor because some gas is heavier than air and will settle on the floor.
- WHAT TO DO IF YOU SMELL GAS**
- Do not try to light any appliance.
 - Do not touch any electric switch; do not use any phone in your building.
 - Immediately call your gas supplier from a neighbor's phone. Follow the gas supplier's instructions.
- C. Use only your hand to push in or turn the gas control knob. Never use tools. If the knob will not push in or turn by hand, don't try to repair it, call a qualified service technician. Force or attempted repair may result in a fire or explosion.
- D. Do not use this appliance if any part has been under water. Immediately call a qualified service technician to inspect the appliance and to replace any part of the control system and any gas control which has been under water.
- If you cannot reach your gas supplier, call the fire department.

OPERATING INSTRUCTIONS

1. **STOP!** Read the safety information above on this label.
2. Set the thermostat to lowest setting.
3. Turn off all electric power to the appliance.
4. This appliance is equipped with an ignition device which automatically lights the pilot. Do not try to light the pilot by hand.
5. Remove control access panel.
6. Push in gas control knob slightly and turn clockwise  to "OFF".
NOTE: Knob cannot be turned to "OFF" unless knob is pushed in slightly. Do not force.
7. Wait five (5) minutes to clear out any gas. If you then smell gas, **STOP!** Follow "B" in the safety information above on this label. If you don't smell gas, go to next step.
8. Turn gas control knob counterclockwise  to "ON".
9. Replace control access panel.
10. Turn on all electric power to the appliance.
11. Set thermostat to desired setting.
12. If the appliance will not operate, follow the instructions "To Turn Off Gas To Appliance" and call your service technician or gas supplier.



TO TURN OFF GAS TO APPLIANCE

1. Set the thermostat to lowest setting.
2. Turn off all electric power to the appliance if service is to be performed.
3. Remove control access panel.
4. Push in gas control knob slightly and turn clockwise  to "OFF". Do not force.
5. Replace control access panel.

7981-319

FIGURE 5
ALL "H" AND "C" MODELS 140,000 BTU AND LARGER

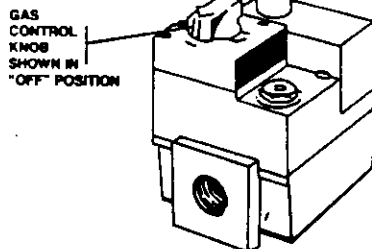
FOR YOUR SAFETY READ BEFORE LIGHTING

WARNING: If you do not follow these instructions exactly, a fire or explosion may result causing property damage, personal injury or loss of life.

- A. This appliance has a pilot which must be lighted by hand. When lighting the pilot, follow these instructions exactly.
- B. BEFORE LIGHTING smell all around the appliance area for gas. Be sure to smell next to the floor because some gas is heavier than air and will settle on the floor.
- WHAT TO DO IF YOU SMELL GAS**
- Do not try to light any appliance.
 - Do not touch any electric switch; do not use any phone in your building.
 - Immediately call your gas supplier from a neighbor's phone. Follow the gas supplier's instructions.
- If you cannot reach your gas supplier, call the fire department.
- C. Use only your hand to push in or turn the gas control knob. Never use tools. If the knob will not push in or turn by hand, don't try to repair it, call a qualified service technician. Force or attempted repair may result in a fire or explosion.
- D. Do not use this appliance if any part has been under water. Immediately call a qualified service technician to inspect the appliance and to replace any part of the control system and any gas control which has been under water.

LIGHTING INSTRUCTIONS

1. STOP! Read the safety information above on this label.
2. Set the thermostat to lowest setting.
3. Turn off all electric power to the appliance.
4. Remove control access panel.
5. Push in gas control knob slightly and turn clockwise to "OFF."



- NOTE:** Knob cannot be turned from "PILOT" to "OFF" unless knob is pushed in slightly. Do not force.
6. Wait five (5) minutes to clear out any gas. If you then smell gas, STOP! Follow "B" in the safety information above on this label. If you don't smell gas, go to next step.

7. Find pilot - follow metal tube from gas control. The pilot is between the burner tubes.



8. Turn knob on gas control counterclockwise to "PILOT."
9. Push in control knob all the way and hold in. Immediately light the pilot with a match. Continue to hold the control knob in for about one (1) minute after the pilot is lit. Release knob and it will pop back up. Pilot should remain lit. If it goes out, repeat steps 5 through 10.
 - If knob does not pop up when released, stop and immediately call your service technician or gas supplier.
 - If the pilot will not stay lit after several tries, turn the gas control knob to "OFF" and call your service technician or gas supplier.
10. Turn gas control knob counterclockwise to "ON."
11. Replace control access panel.
12. Turn on all electric power to the appliance.
13. Set thermostat to desired setting.

TO TURN OFF GAS TO APPLIANCE

1. Set the thermostat to lowest setting.
2. Turn off all electric power to the appliance if service is to be performed.
3. Remove control access panel.
4. Push in gas control knob slightly and turn clockwise to "OFF." Do not force.
5. Replace control access panel.

7961-220

FIGURE 6
FOR ALL "H" AND "C" MODELS 120,000 BTU AND SMALLER

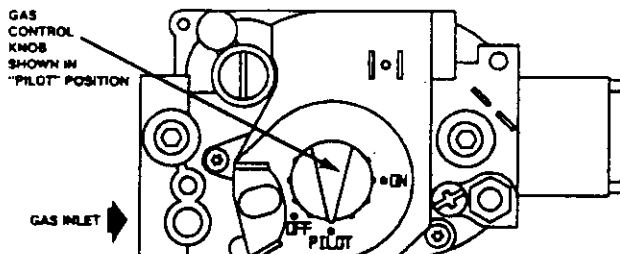
FOR YOUR SAFETY READ BEFORE LIGHTING

WARNING: If you do not follow these instructions exactly, a fire or explosion may result causing property damage, personal injury or loss of life.

- A. This appliance has a pilot which must be lighted by hand. When lighting the pilot, follow these instructions exactly.
- B. **BEFORE LIGHTING** smell all around the appliance area for gas. Be sure to smell next to the floor because some gas is heavier than air and will settle on the floor.
- WHAT TO DO IF YOU SMELL GAS**
- Do not try to light any appliance.
 - Do not touch any electric switch; do not use any phone in your building.
 - Immediately call your gas supplier from a neighbor's phone. Follow the gas supplier's instructions.
- C. Use only your hand to push in or turn the gas control knob. Never use tools. If the knob will not push in or turn by hand, don't try to repair it, call a qualified service technician. Force or attempted repair may result in a fire or explosion.
- D. Do not use this appliance if any part has been under water. Immediately call a qualified service technician to inspect the appliance and to replace any part of the control system and any gas control which has been under water.
- If you cannot reach your gas supplier, call the fire department.

LIGHTING INSTRUCTIONS

1. STOP! Read the safety information above on this label.
2. Set the thermostat to lowest setting.
3. Turn off all electric power to the appliance.
4. Remove control access panel.
5. Push in gas control knob slightly and turn clockwise to "OFF".



NOTE: Knob cannot be turned from "PILOT" to "OFF" unless knob is pushed in slightly. Do not force.

6. Wait five (5) minutes to clear out any gas. If you then smell gas, STOP! Follow "B" in the safety information above on this label. If you don't smell gas, go to next step.

7. Find pilot - follow metal tube from gas control. The pilot is between the burner tubes.
8. Turn knob on gas control counterclockwise to "PILOT".
9. Push in control knob all the way and hold in; immediately light the pilot with a match. Continue to hold the control knob in for about one (1) minute after the pilot is lit. Release knob and it will pop back up. Pilot should remain lit. If it goes out, repeat steps 5 through 10.
 - If knob does not pop up when released, stop and immediately call your service technician or gas supplier.
 - If the pilot will not stay lit after several tries, turn the gas control knob to "OFF" and call your service technician or gas supplier.
10. Turn gas control knob counterclockwise to "ON".
11. Replace control access panel.
11. Turn on all electric power to the appliance.
13. Set thermostat to desired setting.



TO TURN OFF GAS TO APPLIANCE

1. Set the thermostat to lowest setting.
2. Turn off all electric power to the appliance if service is to be performed.
3. Remove control access panel.
4. Push in gas control knob slightly and turn clockwise to "OFF". Do not force.
5. Replace control access panel.

7961-318

FIGURE 7
 ALL "EH" and "EC" MODELS 140,000 BTU AND LARGER
 TOP VIEW OF VR8440 GAS CONTROL

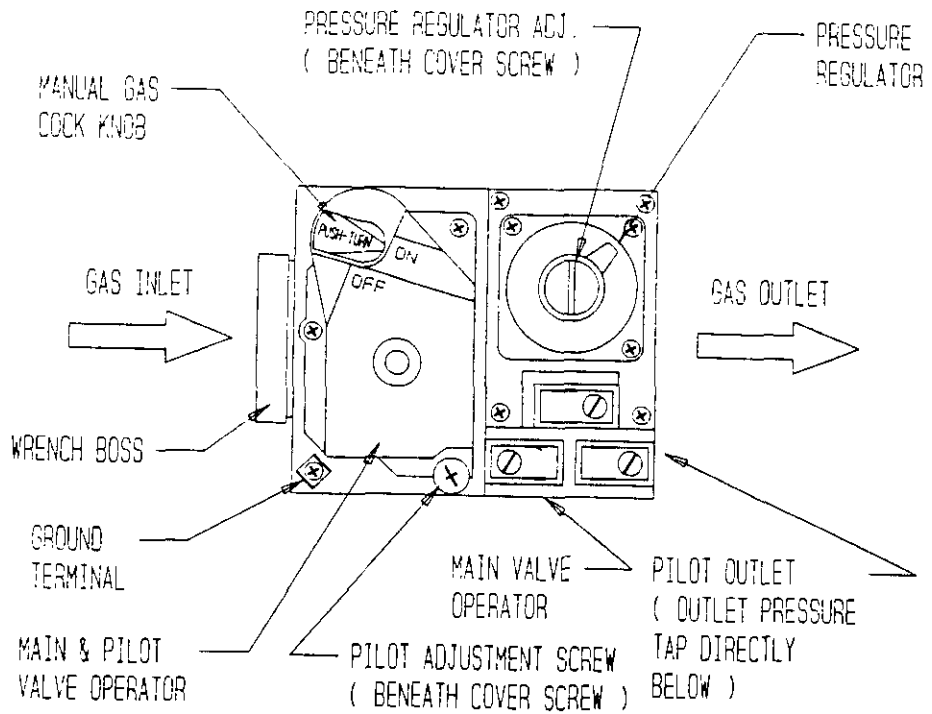


FIGURE 8
 ALL "EH" AND "EC" MODELS 120,000 BTU AND SMALLER
 TOP VIEW OF VR8200 GAS CONTROL

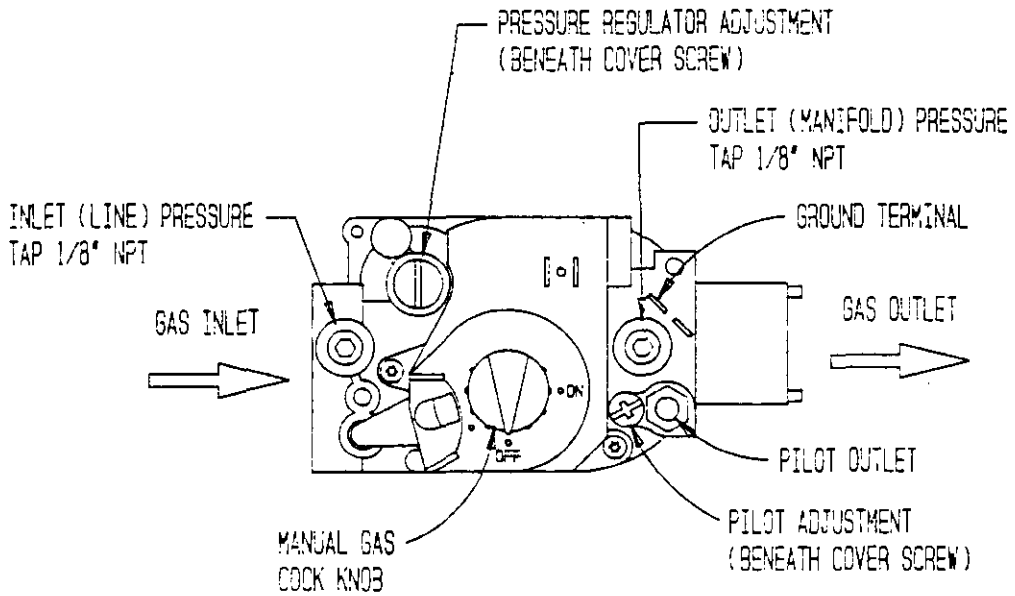


FIGURE 9
 ALL "H" AND "C" MODELS 140,000 BTU AND LARGER
 TOP VIEW OF VR8440 GAS CONTROL

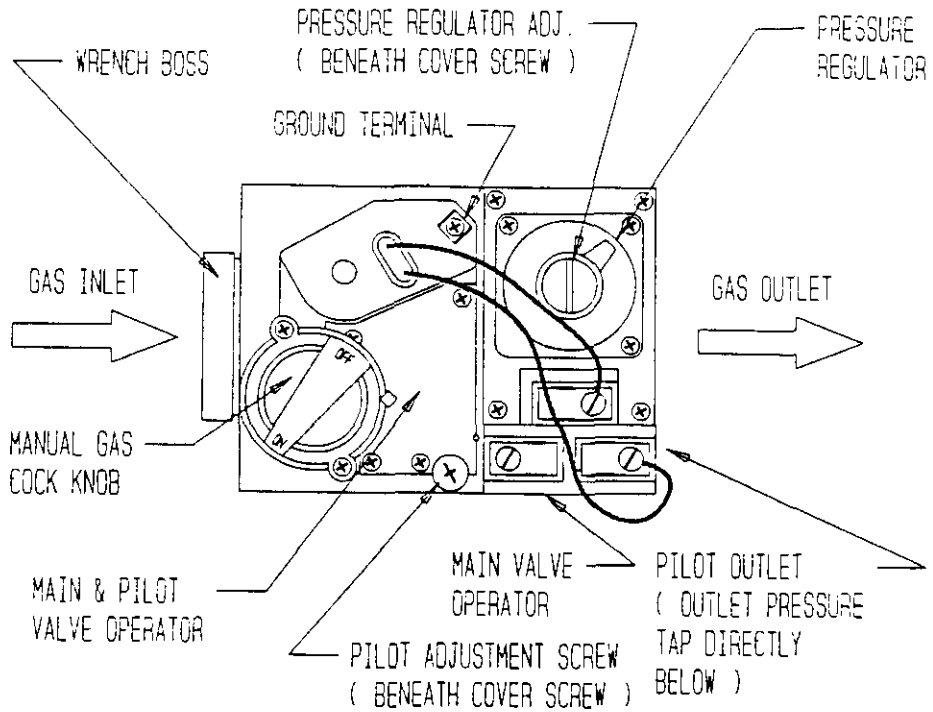
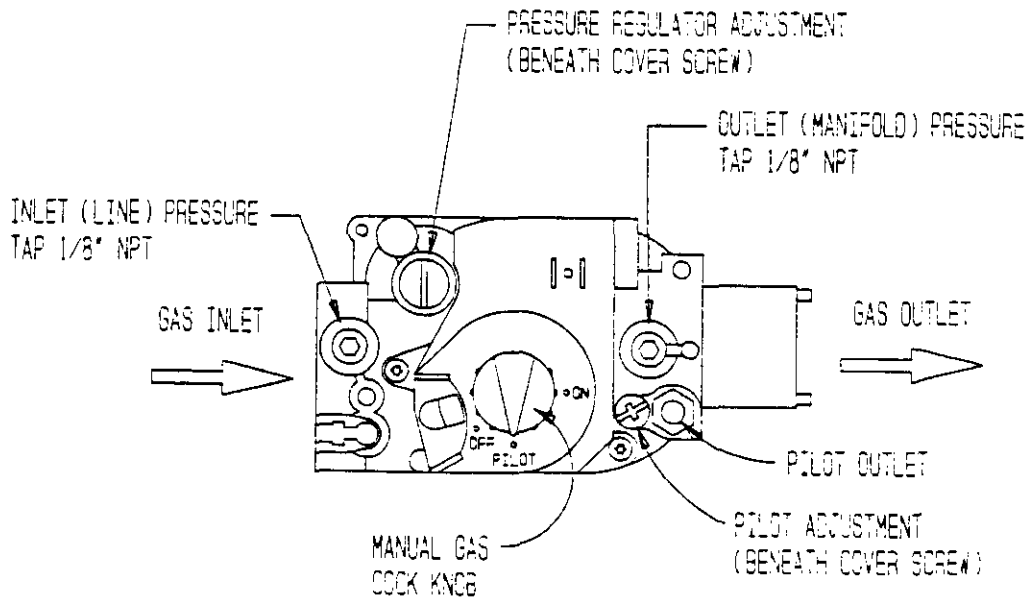


FIGURE 10
 FOR "H" AND "C" MODELS 120,000 BTU AND SMALLER
 TOP VIEW OF VR8200 GAS CONTROL



AIR FILTERS

It is the user's responsibility to check the condition of the air filters on at least a monthly basis when the furnace is in use and to clean or replace whenever it is necessary.

PERMANENT TYPE FILTER (usually foam type) are washable. Use a solution of soapy water followed by a rinse in clear water and then dried by tapping the frame against a solid object.

NEVER operate a furnace without a filter.

NEVER substitute a throwaway (fiberglass) for a permanent (foam) type.

TABLE 1

FILTER SIZES FOR GAS FURNACES	
Model	Size
H & EH60DB H & EH80DB H & EH80D36B H & EH105D36B H & EH105D48B H & EH120D48B H & EH120D60B H & EH140D48B H & EH160D48B	(1) 16 x 25 x 1 P
H & EH200A	(2) 16 x 25 x 1 P
C & EC60DA C & EC80D36A	(1) 15 x 20 x 1 P
C & EC105D42A C & EC120D42A	(2) 10 x 20 x 1 P
C & EC140D48A	(1) 15 x 20 x 1 P
C & EC160D48A	(1) 10 x 20 x 1 P

P - Permanent

FILTER LOCATIONS--REMOVAL AND REPLACEMENT PROCEDURES--ALL HI-BOY FURNACES

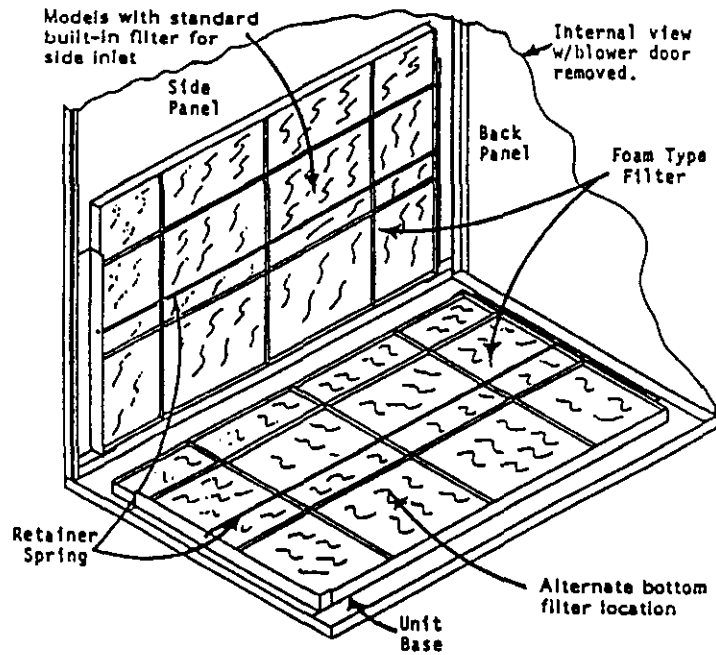
To remove filters from ALL section Hi-Boys, first remove the upper burner door and then the lower blower compartment door by grasping top of door and pull up and away from the furnace. Then remove the "S" clip and spring by pulling the clip towards the front of the furnace.

For right hand side filter location, relocate filter and retaining spring assembly to right side of the furnace.

ALTERNATE BOTTOM FILTER LOCATION

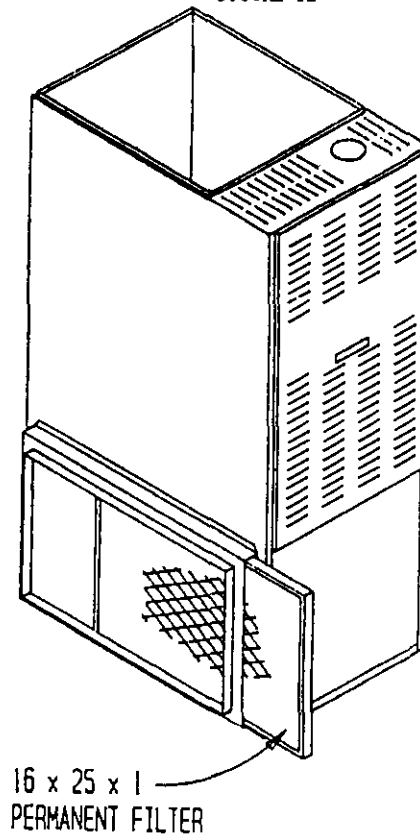
All Hi-Boy models have an alternate bottom filter location as a standard feature to meet different installation requirements. See Figure 11. ON H and EH60DB, H and EH80DB, and H and EH80D36B models, the standard 16x25x1 filter must be cut down to 12x25x1 to utilize the bottom return. See Figure 13.

FIGURE 11



ALTERNATE SIDE FILTER RACK

FIGURE 12



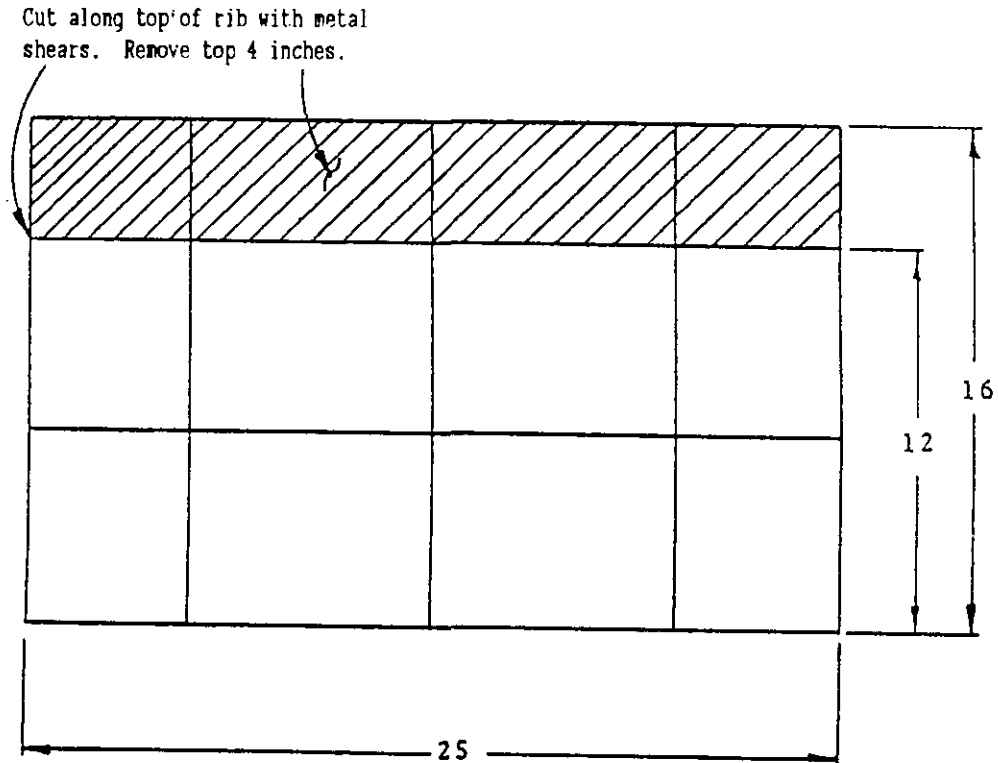
To remove filter from the optional external filter rack, grasp the exposed end of the filter and pull from the filter rack.

The location may vary, depending on which side the installer located the return air duct.

This filter is the permanent high velocity type foam filter which may be washed and used over and over. DO NOT replace it with a fiberglass filter of the same size.

To replace filter, reverse the above process.

FIGURE 13

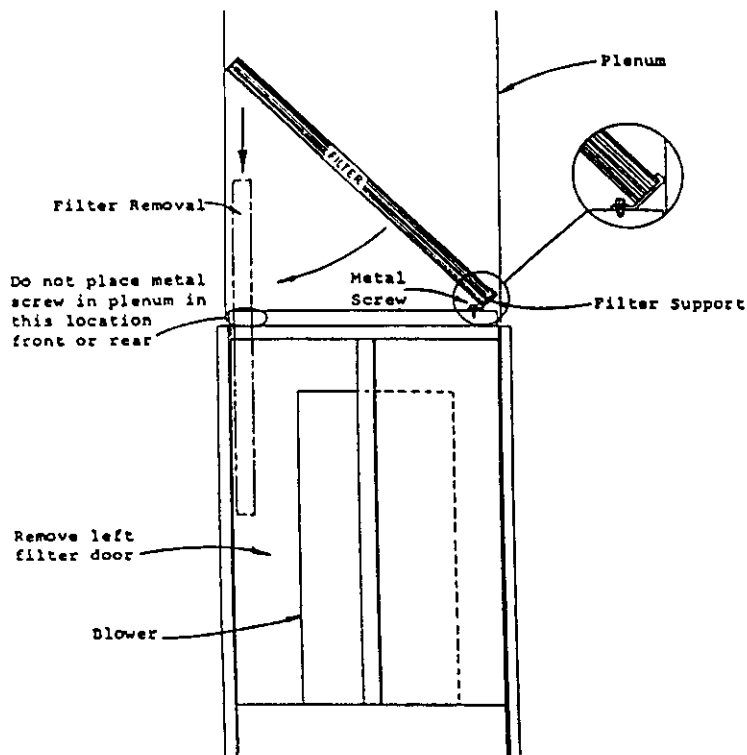


FILTER LOCATIONS--COUNTERFLOW MODELS

Counterflow models normally have filters installed in the return air plenum above the furnace unless a common return air/filter grille is used.

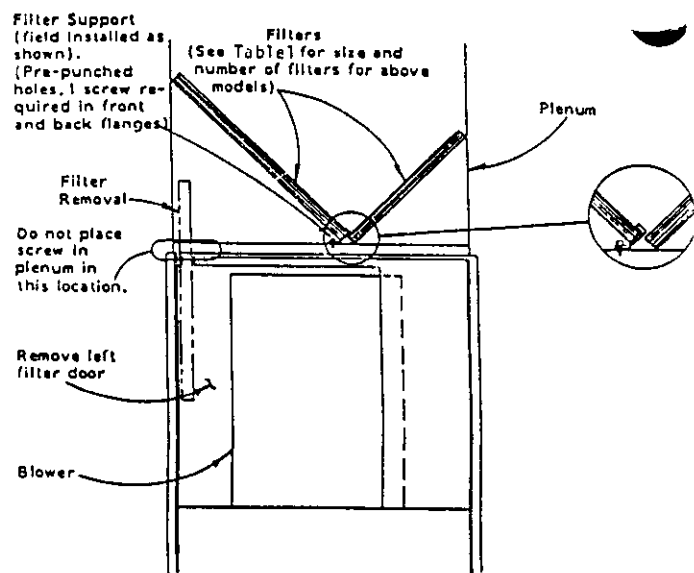
The electrical switch should be turned "off" before the front door to furnace is removed. After removing the front door, remove the left side filter door in the upper section of the furnace. Refer to Figures 10 and 12 for proper filter locations.

FIGURE 14
C & EC60DA
C & EC80036A



Attach filter support to furnace as shown with two sheet metal screws. The filter can be installed and removed through the left filter door.

FIGURE 15
ALL "C" & "EC" MODELS
EXCEPT MODELS LISTED



LUBRICATION REQUIREMENTS

- A. **DIRECT DRIVE MODELS**--Motors are permanently lubricated, no maintenance required.
- B. **BELT DRIVE MODELS**--Oil the blower and motor bearings twice per heating season (every two months if CAC (constant air circulation) is used, with 5 - 6 drops of SAE20 motor oil. **DO NOT USE** a light lubricating oil such as 3-in-1 or sewing machine oil.

FAN BELT ADJUSTMENT (H AND EH200A MODELS)

On belt drive models, check the fan belt for cracks or breaks each time the motor and bearings are lubricated, and replace with same type and length, if necessary.

Belt tension is adjusted by loosening locking nut on adjuster bolt and turning bolt in or out as required. Proper tension will allow approximately one inch deflection with light finger pressure.

FURNACE EXAMINATION

The furnace and the vent system (commonly called the flue pipe, smoke pipe, chimney, etc.) should be inspected yearly by a qualified service agency, generally prior to the heating season. Detailed procedures for this inspection are contained in the instructions booklet and should be handled by the qualified service agency only.

A general inspection of the furnace, the furnace area, and the venting system should be conducted on a regular basis by the user/occupant. This review should include:

1. Assure that all flue product carrying areas external to the furnace (chimney, metal vent pipe, etc.) are clear and free of obstructions.
2. Make sure the furnace always has the minimum clearances as detailed on serial plate. Special attention must be given to these items if any remodeling is done.
3. Make sure the vent connector (system) is in place, slopes upward and is physically sound without holes or excessive corrosion.
4. Reviewing that the return air duct connection(s) is physically sound, is sealed to the furnace casing, and terminates outside the space containing the furnace.
5. The physical support of the furnace is sound without sagging, cracks, gaps, etc. around the base.
6. Inspect for any obvious signs of deterioration of the furnace.
7. If the vent system incorporates a condensate drain, the drain must be inspected monthly for any blockage. If drain appears dirty or clogged, it must be removed and thoroughly washed out with warm water. Blockage of the drain can result in premature component failure.

Periodic examinations of the combustion area and vent system should also be conducted by the user on a regular basis, preferably every month but at least every two months, during the heating season.

The following procedure should be followed for the periodic inspection as conducted by the user.

1. Set the wall thermostat to the "off" position or lower the set point lever to a temperature well below the existing room temperature. Shut off electric power to the furnace. A switch should be mounted either on the outside of the furnace or adjacent to the furnace for this purpose.
2. Remove the furnace door exposing the burner compartment.
3. Using a flashlight or trouble light, observe the burner compartment and where the burner(s) extend into the heat exchanger. There should be very minimal scaling or sooting in this area. Some loose debris may have fallen down on to the floor of the heat exchanger from the upper flue passageways, and this may be vacuumed out. Also observe the sides of the heat exchanger for "hot spots" due to improper burner alignment or overfiring and give particular attention to any area where it looks like there may be any deterioration from corrosion or rusting. Observe for any corrosion on the burners themselves. Should anything appear questionable, contact your service agency.
4. On "EH" and "EC" models, the pilot lights only when the thermostat calls for heat and the main burner lights within a few seconds thereafter. It is recommended that any observation of the pilot or main burner operation be done only with the burner compartment door in place and viewing through the combustion air slots. Any adjustments to the pilot flame should be done by a competent service agency.
5. Inspect the flue pipe the full distance from the furnace to chimney or to exit point from the building, observing for corrosion and possible leakage that might result in products of combustion entering the living area.

WARNING

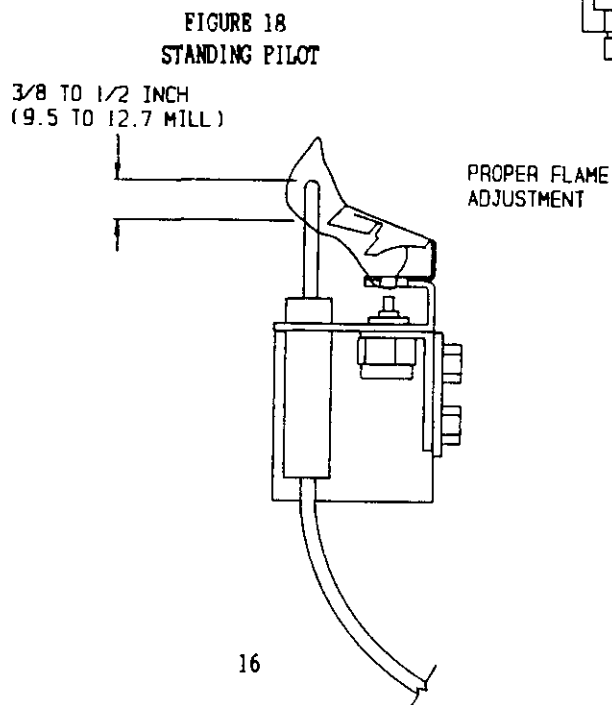
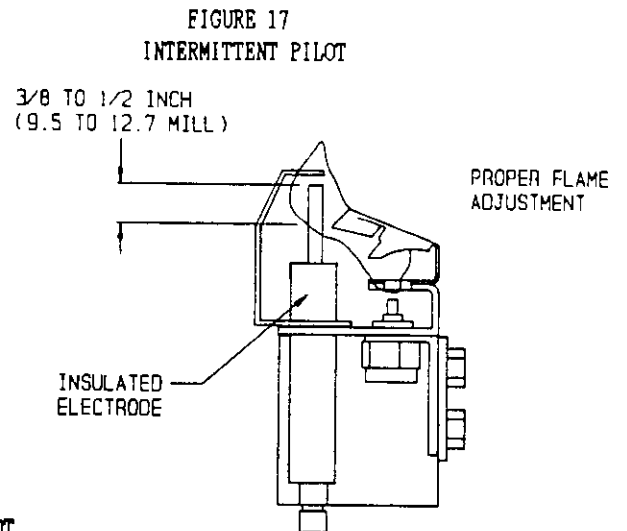
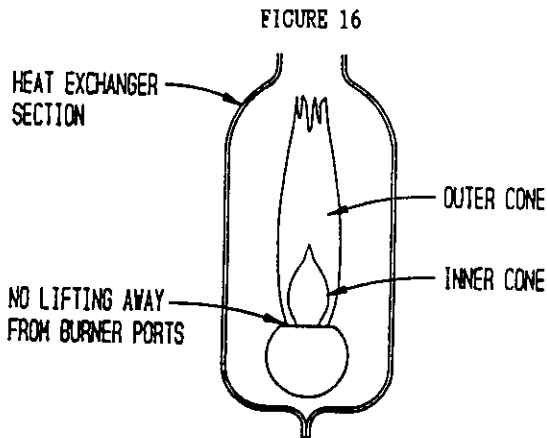
Leakage of products of combustion into the living area may result in asphyxiation.

Any questionable flue pipe should be replaced. Considering its importance, it is relatively cheap insurance to protect your family. Consult your service agency.

6. Replace the burner compartment access doors by reversing the procedure as outlined under Step 2 above.
7. Restore the electrical power to the furnace by turning the switch back on. Adjust the thermostat to call for heating operation.
8. Observe the main burners in operation viewing through combustion air slots. The flame should be mostly "blue" with possibly a little orange at the tips of the flame. The flames should be in the center of the heat exchanger compartments and not impinging on the heat exchanger surfaces themselves.

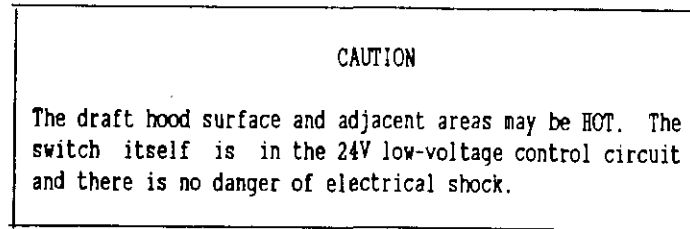
The inner cone of the flame as shown below should be approximately 1 inch to 1-1/4 inches tall from the burner ports when natural gas is used. When LP gas is used, the inner cones should be approximately 1/2 inch tall from the burner ports. If no primary air adjustment has been made after the furnace has been converted for use with LP gas, the inner cones may be lying flat on the burner ports. This condition can be corrected by decreasing the amount of primary air in the burners. Slowly, close down the primary air shutters at the end of each burner until the desired inner cone height is obtained. Be sure to tighten all the air shutter set screws once the adjustment has been made.

9. Observe the fire until the blower starts (there is a normal delay period until the heat exchanger warms up). There should be no change in the size or shape of the flame. If there is a wavering or blowing of the flame on the blower start-up, it is an indication of a possible leak in the heat exchanger. Turn off the main electrical switch to the furnace and the gas valve in the gas line leading in the furnace, and call your service agency.



VENT SAFETY SHUTOFF SYSTEM

This furnace is equipped with a Vent Safety Shutoff System. The purpose of this control is to shut off the flow of gas to the burners in the event of a blockage in the vent/chimney system. The control is a manual reset switch and is located on the draft hood. It is accessible by removing the furnace service door, and can be reset by pushing in the button located in the center of the switch.



If the Vent Safety Shutoff System operates a second time, it should not be reset again. A qualified service agency should be contacted immediately to properly evaluate the cause for lockout.

FIGURE 19

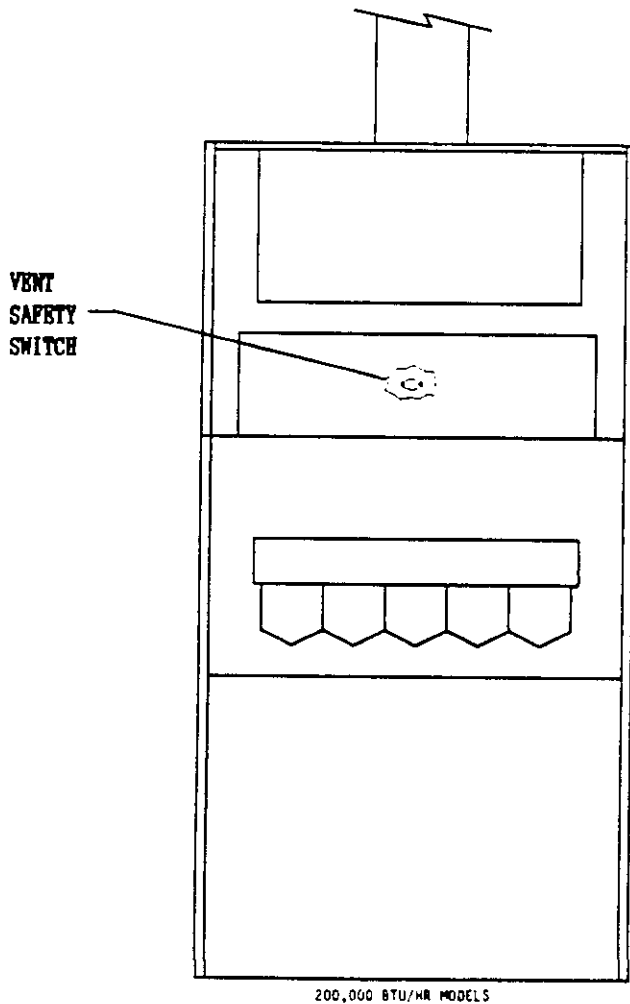


FIGURE 20

