

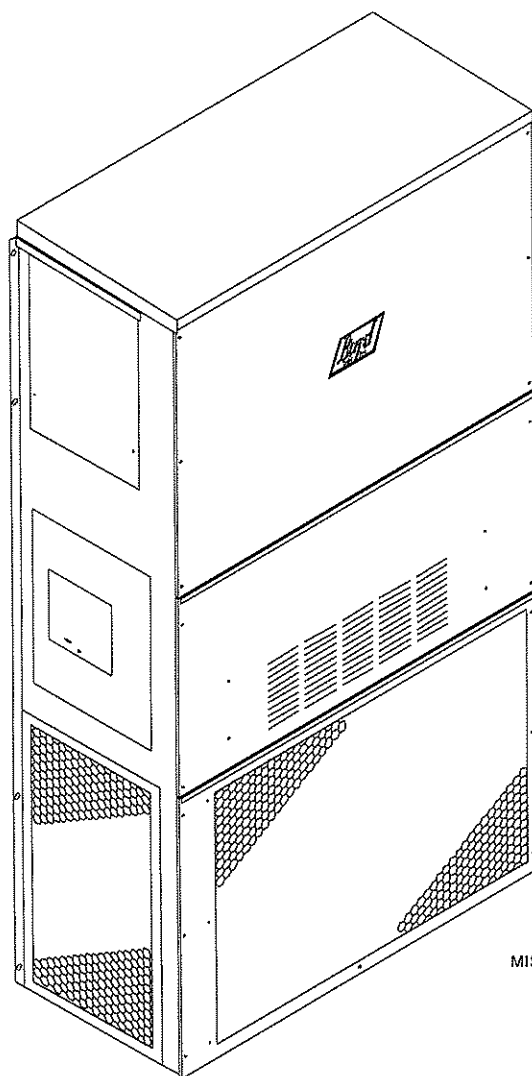
---

# Installation Instructions

# Wall Mounted Packaged Air Conditioner

Models: WL252

---



MIS-861



Bard Manufacturing Company  
Bryan, Ohio 43506

*Since 1914...Moving ahead, just as  
planned.*

Manual No.: 2100-372

Supersedes:

File: Volume III, Tab 16

Date: 04-18-2000

# Contents

---

<b>Getting Other Information .....</b>	<b>1</b>
--	----------

## **Wall Mount General Information**

Model Nomenclature .....	2
Shipping Damage .....	4
General .....	4
Duct Work .....	5
Filters .....	5
Fresh Air Intake .....	5
Condensate Drain .....	5

## **Installation Instructions**

Wall Mounting Information .....	6
Mounting the Unit .....	6

## **Figures**

Figure 1 .....	3
Figure 2 .....	5
Figure 3 .....	6
Figure 4 .....	7
Figure 5 .....	7
Figure 6 .....	8
Figure 7 .....	10
Figure 8 .....	13

## **Start Up**

Important Installer Note .....	11
High Pressure Switch .....	11
Three Phase Scroll Compressor Start Up Information .....	11
Service Hints .....	11
Sequence of Operations .....	11
Compressor Control Module .....	11
Phase Monitor .....	12
Pressure Service Ports .....	12

## **Troubleshooting**

Fan Blade Setting Dimensions .....	13
Removal of Fan Shroud .....	13
Refrigerant Charge .....	13

## **Tables**

Table 1 .....	2
Table 2 .....	4
Table 3 .....	9
Table 4 .....	9
Table 5 .....	13
Table 6 .....	13
Table 7 .....	13
Table 8 .....	13
Table 9 .....	13
Table 10 .....	14
Table 11 .....	14

# Getting Other Information and Publications

---

These publications can help you install the air conditioner or heat pump. You can usually find these at your local library or purchase them directly from the publisher. Be sure to consult current edition of each standard.

National Electrical Code ..... ANSI/NFPA 70

Standard for the Installation ..... ANSI/NFPA 90A  
of Air Conditioning and  
Ventilating Systems

Standard for Warm Air ..... ANSI/NFPA 90B  
Heating and Air  
Conditioning Systems

Load Calculation for ..... ACCA Manual J  
Residential Winter and  
Summer Air Conditioning

Duct Design for Residential ..... ACCA Manual D  
Winter and Summer Air  
Conditioning and Equipment  
Selection

## For more information, contact these publishers:

**ACCA**    **Air Conditioning Contractors of America**  
1712 New Hampshire Avenue NW  
Washington, DC 20009  
Telephone: (202) 483-9370  
Fax: (202) 234-4721

**ANSI**    **American National Standards Institute**  
11 West Street, 13th Floor  
New York, NY 10036  
Telephone: (212) 642-4900  
Fax: (212) 302-1286

**ASHRAE** **American Society of Heating Refrigerating,  
and Air Conditioning Engineers, Inc.**  
1791 Tullie Circle, N.E.  
Atlanta, GA 30329-2305  
Telephone: (404) 636-8400  
Fax: (404) 321-5478

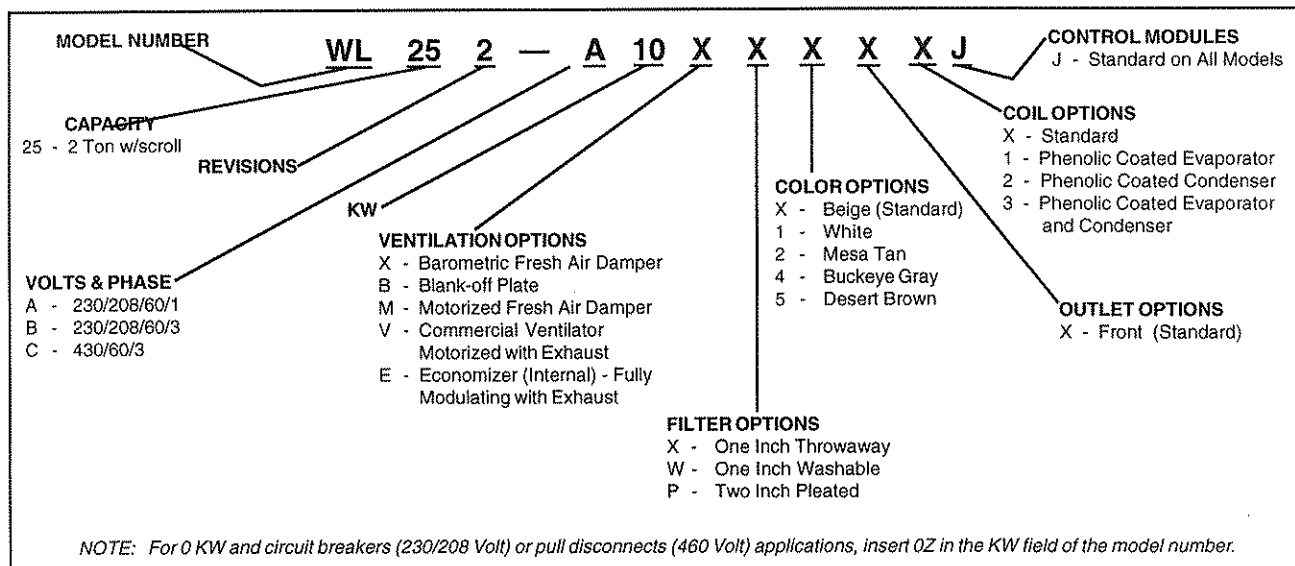
**NFPA**    **National Fire Protection Association**  
Batterymarch Park  
P.O. Box 9101  
Quincy, MA 02269-9901  
Telephone: (800) 344-3555  
Fax: (617) 984-7057

---

Manufactured under the following U.S. Patent numbers:  
5,485,878; 5,301,777; 5,002,116; 4,924,934; 4,875,520;  
4,825,936; 4,432,409

# Wall Mount General Information

## Air Conditioner Wall Mount Model Nomenclature



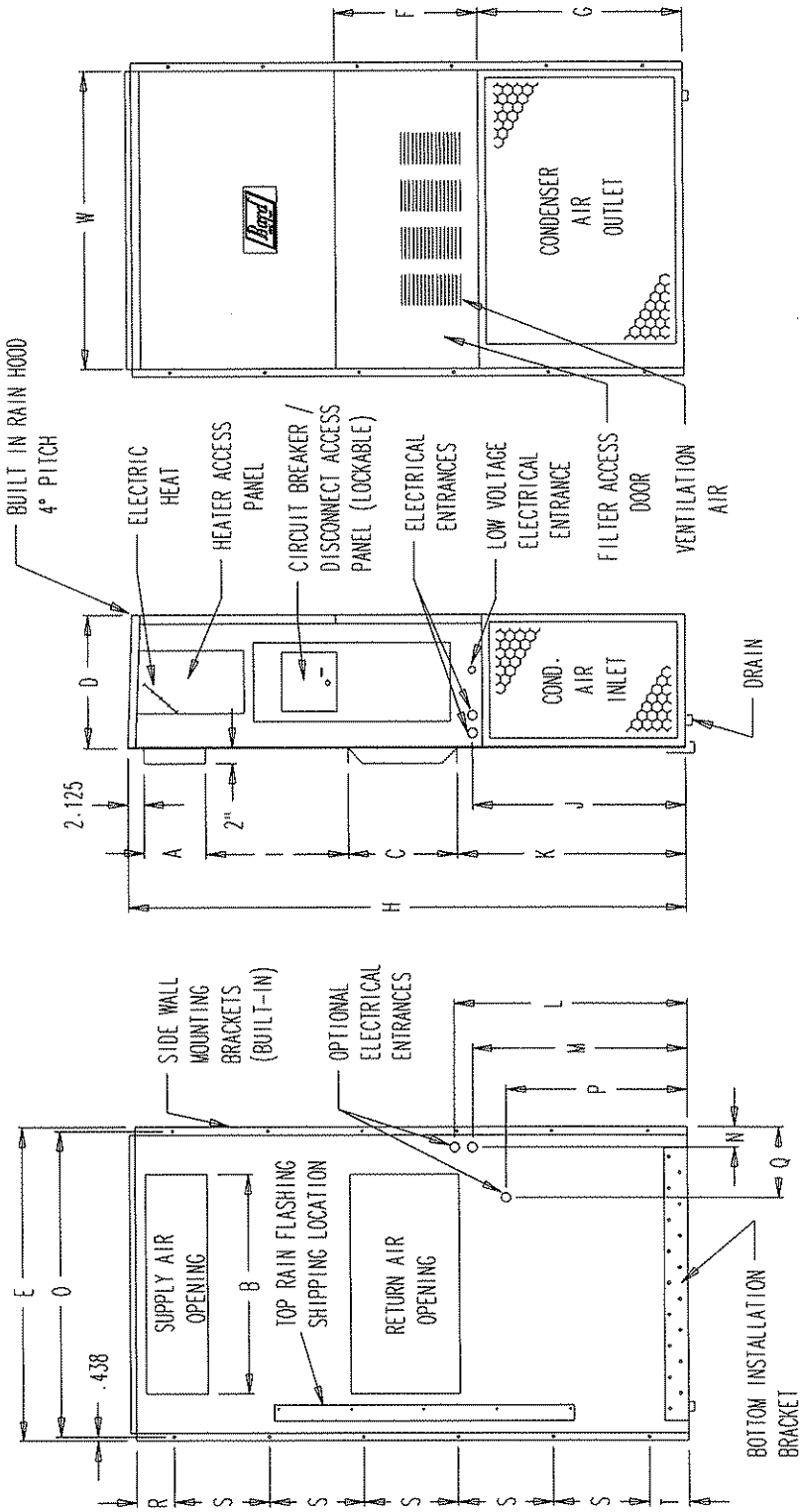
**TABLE 1  
ELECTRICAL SPECIFICATIONS**

SINGLE CIRCUIT						
Model	Rated Volts and Phase	Number Field Power Circuits	(3) Minimum Circuit Ampacity	(1) Maximum External Fuse or Circuit Breaker	(2) Field Power Wire Size	(2) Ground Wire Size
WL252-A0Z	230/208-1	1	20	25	10	10
A05		1	30	30	10	10
A08		1	45	45	8	10
A10		1	56	60	6	10
WL252-B0Z	230/208-3	1	14	20	12	12
B06		1	22	25	10	10

- (1) Maximum size of the time delay fuse or HACR type circuit breaker for protection of field wiring conductors.
- (2) Based on 75°C copper wire. All wiring must conform to NEC and all local codes.
- (3) These "Minimum Circuit Ampacity" values are to be used for sizing the field power conductors. Refer to the National Electric Code (latest revision), Article 310 for power conductor sizing. **Caution:** When more than one field power conductor circuit is run through one conduit, the conductors must be derated. Pay special attention to Note 8 of Table 310 regarding Ampacity Adjustment Factors when more than 3 conductors are in a raceway.

**FIGURE 1**  
**UNIT DIMENSIONS (in Inches)**

Model	Width (W)	Depth (D)	Height (H)	Supply			Return			E	F	G	I	J	K	L	M	N	O	P	Q	R	S	T
				A	B	C	B	C																
WL25	33.30	17.125	70.563	7.88	19.88	11.88	19.88	35.00	18.50	25.75	28.06	20.56	26.75	28.06	29.25	27.00	2.63	34.13	22.06	10.55	4.19	12.00	5.00	



**FRONT VIEW**

**LEFT SIDE VIEW**

**BACK VIEW**

MIS-1268

**TABLE 2  
ELECTRIC HEAT TABLE**

Model- s	WL252-A				WL252-B			
	240-1		208-1		240-3		208-3	
KW	A	BTU	A	BTU	A	BTU	A	BTU
5	20.8	17,065	18.1	12,800				
8	33.3	27,300	28.8	20,475				
10	41.6	34,130	36.2	25,600				
6					14.4	20,500	12.5	15,360

### Shipping Damage

Upon receipt of equipment, the carton should be checked for external signs of shipping damage. If damage is found, the receiving party must contact the last carrier immediately, preferably in writing, requesting inspection by the carrier's agent.

### General

The equipment covered in this manual is to be installed by trained, experienced service and installation technicians.

The refrigerant system is completely assembled and charged. All internal wiring is complete.

The unit is designed for use with or without duct work. Flanges are provided for attaching the supply and return ducts.

These instructions explain the recommended method to install the air cooled self-contained unit and the electrical wiring connections to the unit.

These instructions and any instructions packaged with any separate equipment required to make up the entire air conditioning system should be carefully read before beginning the installation. Note particularly "Starting Procedure" and any tags and/or labels attached to the equipment.

While these instructions are intended as a general recommended guide, they do not supersede any national and/or local codes in any way. Authorities having jurisdiction should be consulted before the installation is made. See Page 1 for information on codes and standards.

Size of unit for a proposed installation should be based on heat loss calculation made according to methods of Air Conditioning Contractors of America (ACCA). The air duct should be installed in accordance with the Standards of the National Fire Protection Association for the Installation of Air Conditioning and Ventilating Systems of Other Than Residence Type, NFPA No. 90A, and Residence Type Warm Air Heating and Air Conditioning Systems, NFPA No. 90B. Where local regulations are at a variance with instructions, installer should adhere to local codes.

## Duct Work

All duct work, supply and return, must be properly sized for the design air flow requirement of the equipment. Air Conditioning Contractors of America (ACCA) is an excellent guide to proper sizing. All duct work or portions thereof not in the conditioned space should be properly insulated in order to both conserve energy and prevent condensation or moisture damage.

Refer to Table 8 for maximum static pressure available for duct design.

Design the duct work according to methods given by the Air Conditioning Contractors of America (ACCA). When duct runs through unheated spaces, it should be insulated with a minimum of one inch of insulation. Use insulation with a vapor barrier on the outside of the insulation. Flexible joints should be used to connect the duct work to the equipment in order to keep the noise transmission to a minimum.

A 1/4 inch clearance to combustible material for the first 3 feet of duct attached to the outlet air frame is required. See Wall Mounting Instructions and Figures 3 and 7 for further details.

Ducts through the walls must be insulated and all joints taped or sealed to prevent air or moisture entering the wall cavity.

## CAUTION

Some installations may not require any return air duct. A metallic return air grille is required with installations not requiring a return air duct. The spacing between louvers on the grille shall not be larger than 5/8 inches.

Any grille that meets the 5/8 inch louver criteria may be used. It is recommended that Bard Return Air Grille Kit RG-2 thru RG-5 or RFG-2 thru RFG-5 be installed when no return duct is used. Contact distributor or factory for ordering information. If using a return air filter grille, filters must be of sufficient size to allow a maximum velocity of 400 fpm.

*NOTE: If no return air duct is used, applicable installation codes may limit this cabinet to installation only in a single story structure.*

## Filters

A 1 inch throwaway filter is supplied with each unit. The filter slides into position making it easy to service. This filter can be serviced from the outside by removing the service door. A 1 inch washable filter and 2 inch pleated filter are also available as optional accessories. The internal filter brackets are adjustable to accommodate the 2 inch filter by bending the metal tabs holding the 1 inch filter down. There are two tabs on each side of the filter.

## Fresh Air Intake

All units are built with fresh air inlet slots punched in the service panel.

If the unit is equipped with the fresh air damper assembly, the assembly is shipped already attached to the unit. The damper blade is locked in the closed position. To allow the damper to operate, the maximum and minimum blade position stops must be installed. See Figure 2.

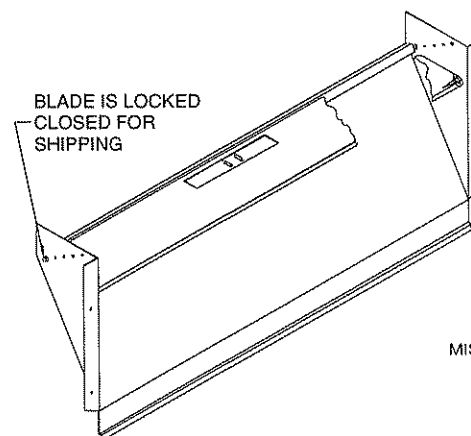
All capacity, efficiency and cost of operation information as required for Department of Energy "Energyguide" Fact Sheets is based upon the fresh air blank-off plate in place and is recommended for maximum energy efficiency.

The blank-off plate is available upon request from the factory and is installed in place of the fresh air damper shipped with each unit.

## Condensate Drain

A plastic drain hose extends from the drain pan at the top of the unit down to the unit base. There are openings in the unit base for the drain hose to pass through. In the event the drain hose is connected to a drain system of some type, it must be an open or vented type system to assure proper drainage.

**FIGURE 2  
FRESH AIR DAMPER ASSEMBLY**



MIS-938

# Installation Instructions

## Wall Mounting Information

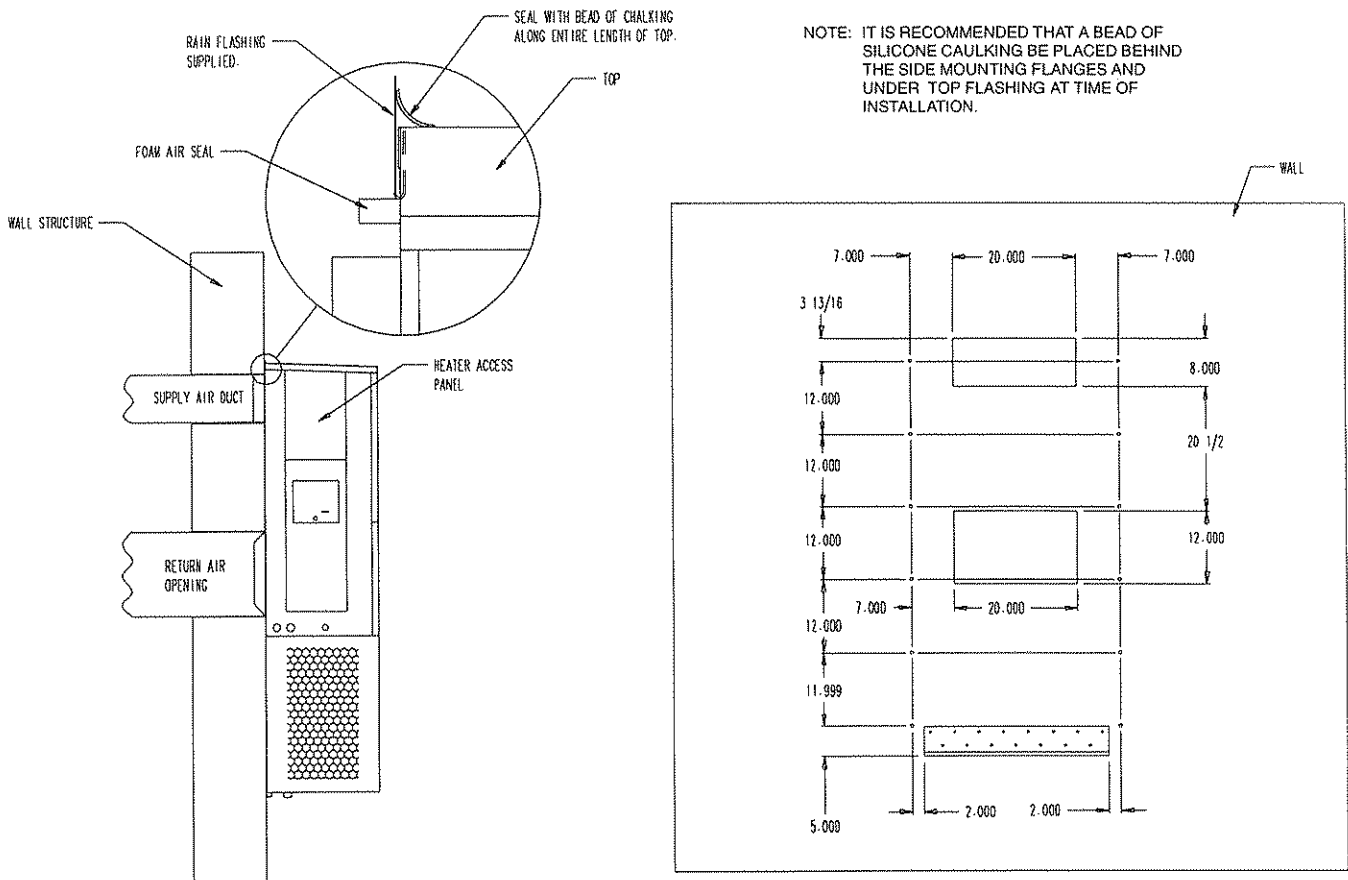
1. These units are secured by wall mounting brackets which secure the unit to the outside wall surface at both sides. A bottom mounting bracket is provided for ease of installation, but is not required.
2. On wood-frame walls, the wall construction must be strong and rigid enough to carry the weight of the unit without transmitting any unit vibration.
3. Concrete block walls must be thoroughly inspected to insure that they are capable of carrying the weight of the installing unit.

## Mounting the Unit

1. Two holes for the supply and return air openings must be cut through the wall as shown in Figure 3.
2. Locate and mark lag bolt locations and bottom bracket location, if desired. See Figure 3.

3. Mount bottom mounting bracket, if used.
4. Hook top rain flashing under back bend of top. Top rain flashing is shipped attached to the back of the unit on the right side.
5. Position unit in opening and secure with 5/16 lag bolts; use 7/8 inch diameter flat washers on the lag bolts.
6. Secure rain flashing to wall and caulk across entire length of top. See Figure 3.
7. For additional mounting rigidity, the return air and supply air frames or collars can be drilled and screwed or welded to the structural wall itself (depending upon wall construction). Be sure to observe required clearance if combustible wall. Additional clearance may be required to meet local or national codes.
8. On side by side installations, maintain a minimum of 20 inches clearance on left side to allow access to heat strips and control panel and to allow proper airflow to the outdoor coil.

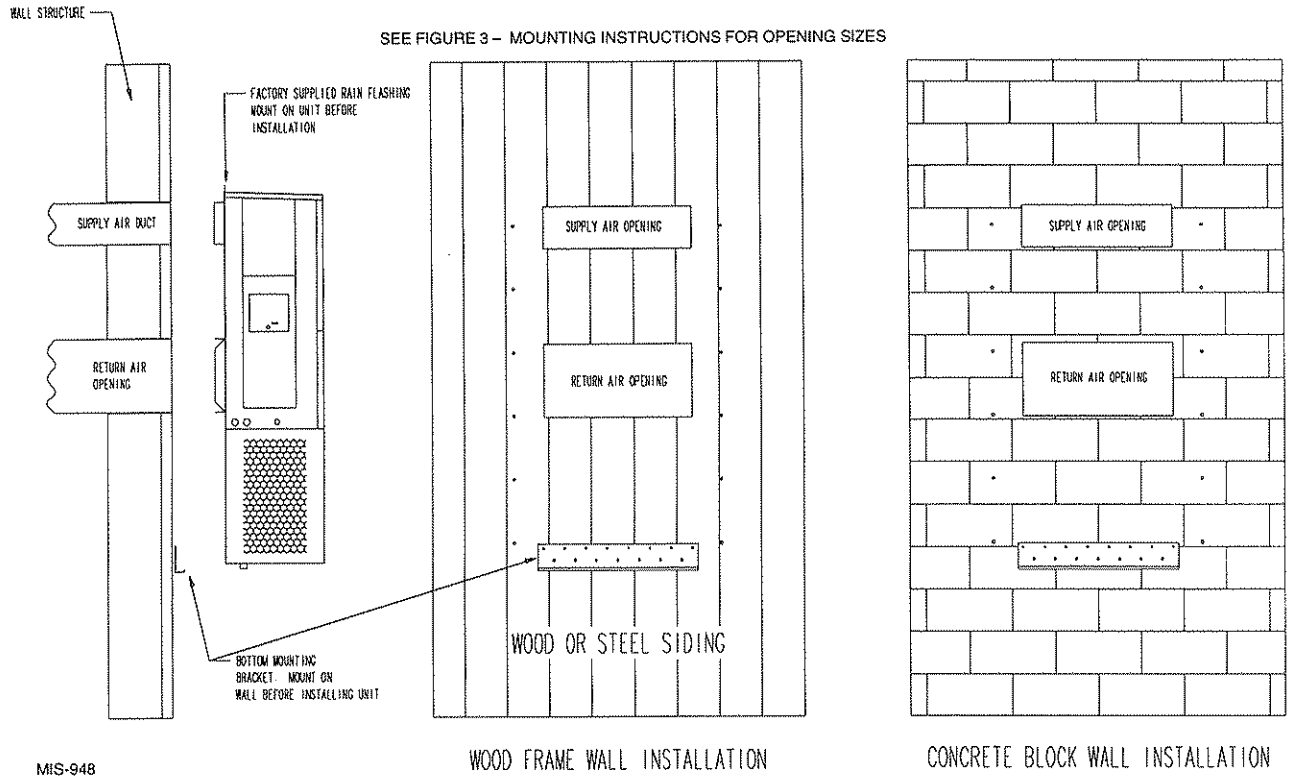
**FIGURE 3**  
**MOUNTING INSTRUCTIONS**



MIS-1045

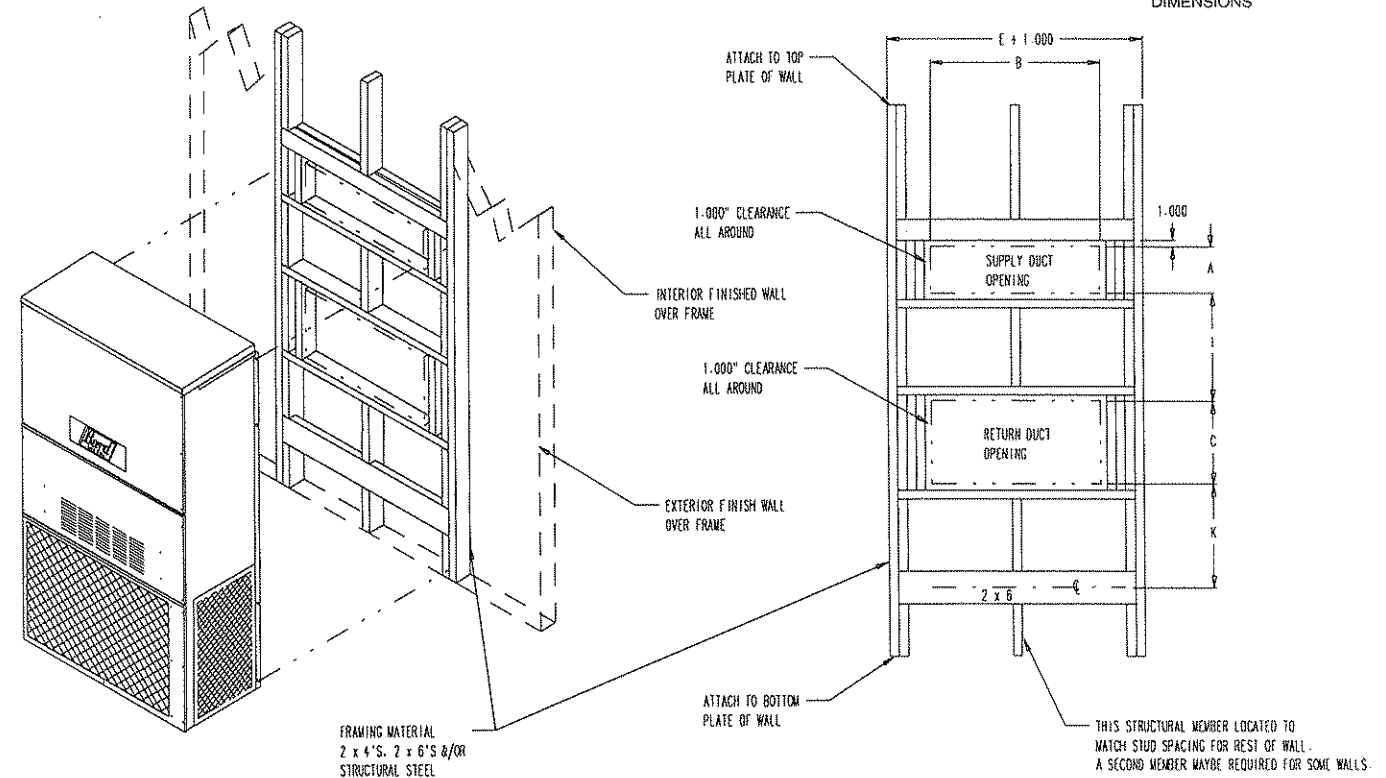


## FIGURE 4 WALL-MOUNTING INSTRUCTIONS

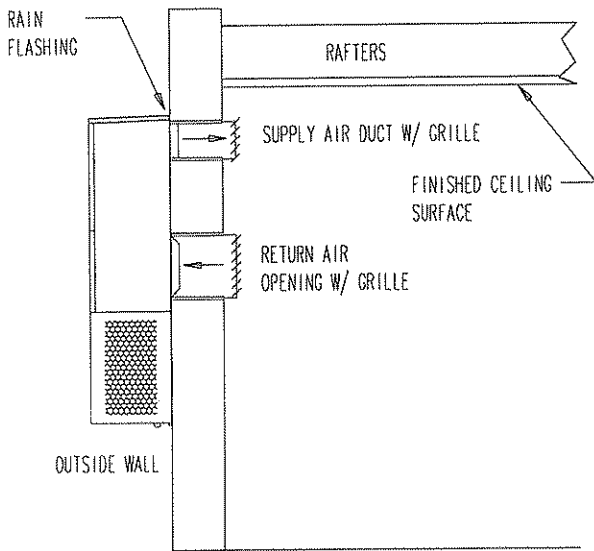


## FIGURE 5 WALL-MOUNTING INSTRUCTIONS

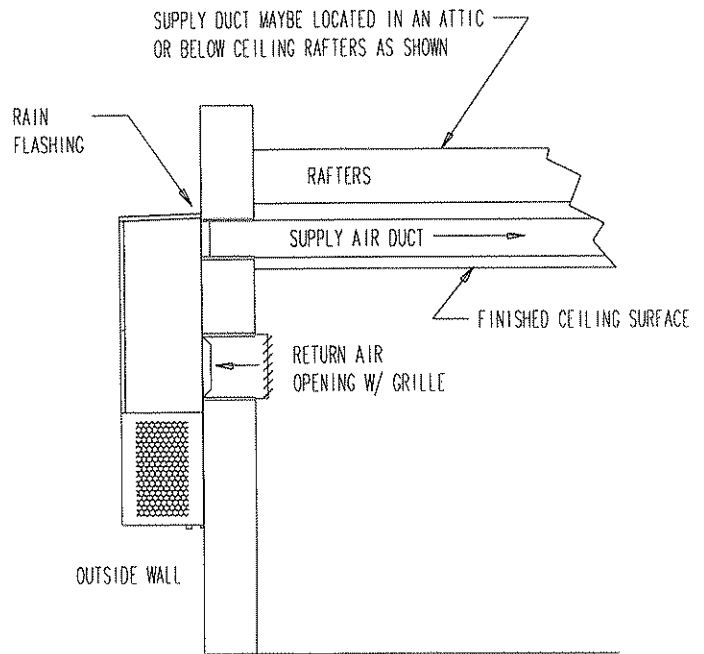
SEE UNIT DIMENSIONS  
FIGURE 1 FOR ACTUAL  
DIMENSIONS



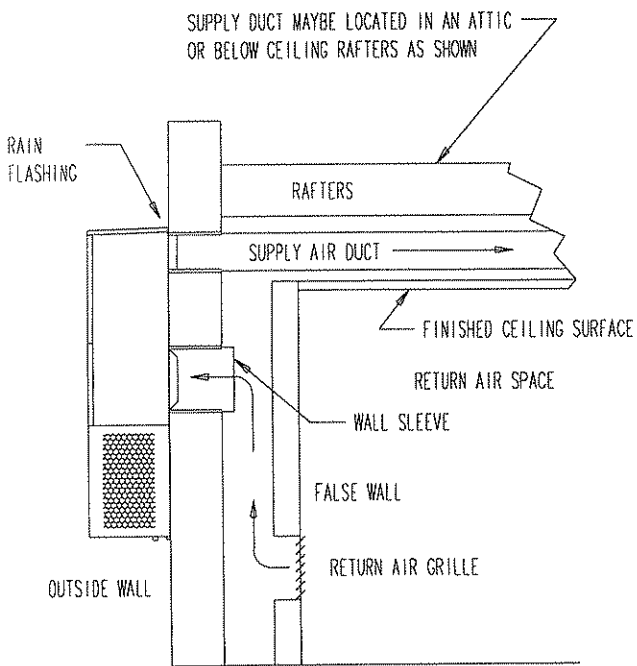
**FIGURE 6  
COMMON WALL-MOUNTING INSTALLATIONS**



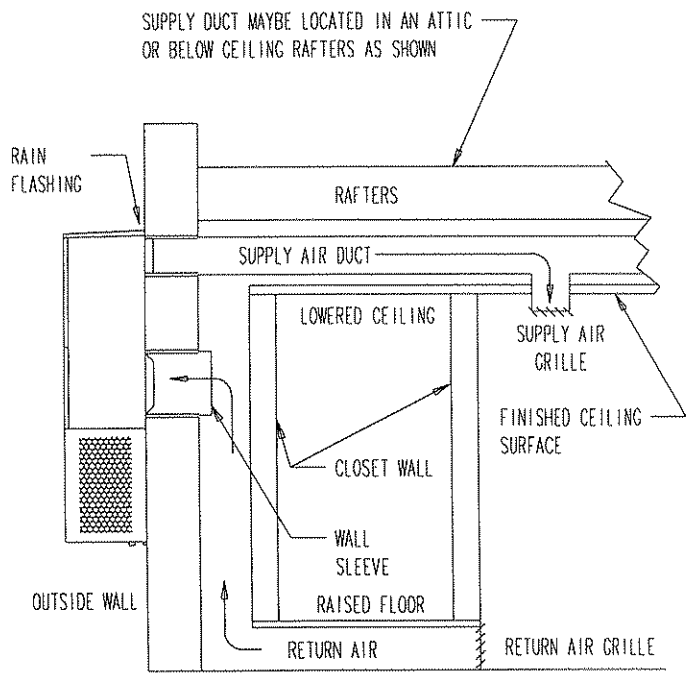
FREE AIR FLOW  
NO DUCT



DUCTED SUPPLY  
RETURN AT UNIT



FALSE WALL INSTALLATION



CLOSET INSTALLATION

MIS-1050

## Wiring — Main Power

Refer to the unit rating plate for wire sizing information and maximum fuse or “HACR Type” circuit breaker size. Each outdoor unit is marked with a “Minimum Circuit Ampacity”. This means that the field wiring used must be sized to carry that amount of current. Depending on the installed KW of electric heat, there may be two field power circuits required. If this is the case, the unit serial plate will so indicate. All models are suitable only for connection with copper wire. Each unit and/or wiring diagram will be marked “Use Copper Conductors Only”. These instructions *must be* adhered to. Refer to the National Electrical Code (NEC) for complete current carrying capacity data on the various insulation grades of wiring material. All wiring must conform to NEC and all local codes.

The electrical data lists fuse and wire sizes (75°C copper) for all models, including the most commonly used heater sizes. Also shown are the number of field power circuits required for the various models with heaters.

The unit rating plate lists a “Maximum Time Delay Relay Fuse” or “HACR Type” circuit breaker that is to be used with the equipment. The correct size must be used for proper circuit protection and also to assure that there will be no nuisance tripping due to the momentary high starting current of the compressor motor.

The disconnect access door on this unit may be locked to prevent unauthorized access to the disconnect. To convert for the locking capability, bend the tab located in the bottom left hand corner of the disconnect opening under the disconnect access panel straight out. This tab will now line up with the slot in the door. When shut, a padlock may be placed through the hole in the tab preventing entry.

## Wiring — Low Voltage Wiring

230/208V – 1 phase and 3 phase equipment dual primary voltage transformers. All equipment leaves the factory wired on 240V tap. For 208V operation, reconnect from

<u>TAP</u>	<u>RANGE</u>
240	253 – 216
208	220 – 187

240V to 208V tap. The acceptable operating voltage range for the 240V and 208V taps are:

*NOTE: The voltage should be measured at the field power connection point in the unit and while the unit is operating at full load (maximum amperage operating condition).*

Five (5) wires should be run from thermostat subbase to the 24V terminal board in the unit. A five conductor, 18 gauge copper, color-coded thermostat cable is recommended. The connection points are shown in Figure 7.

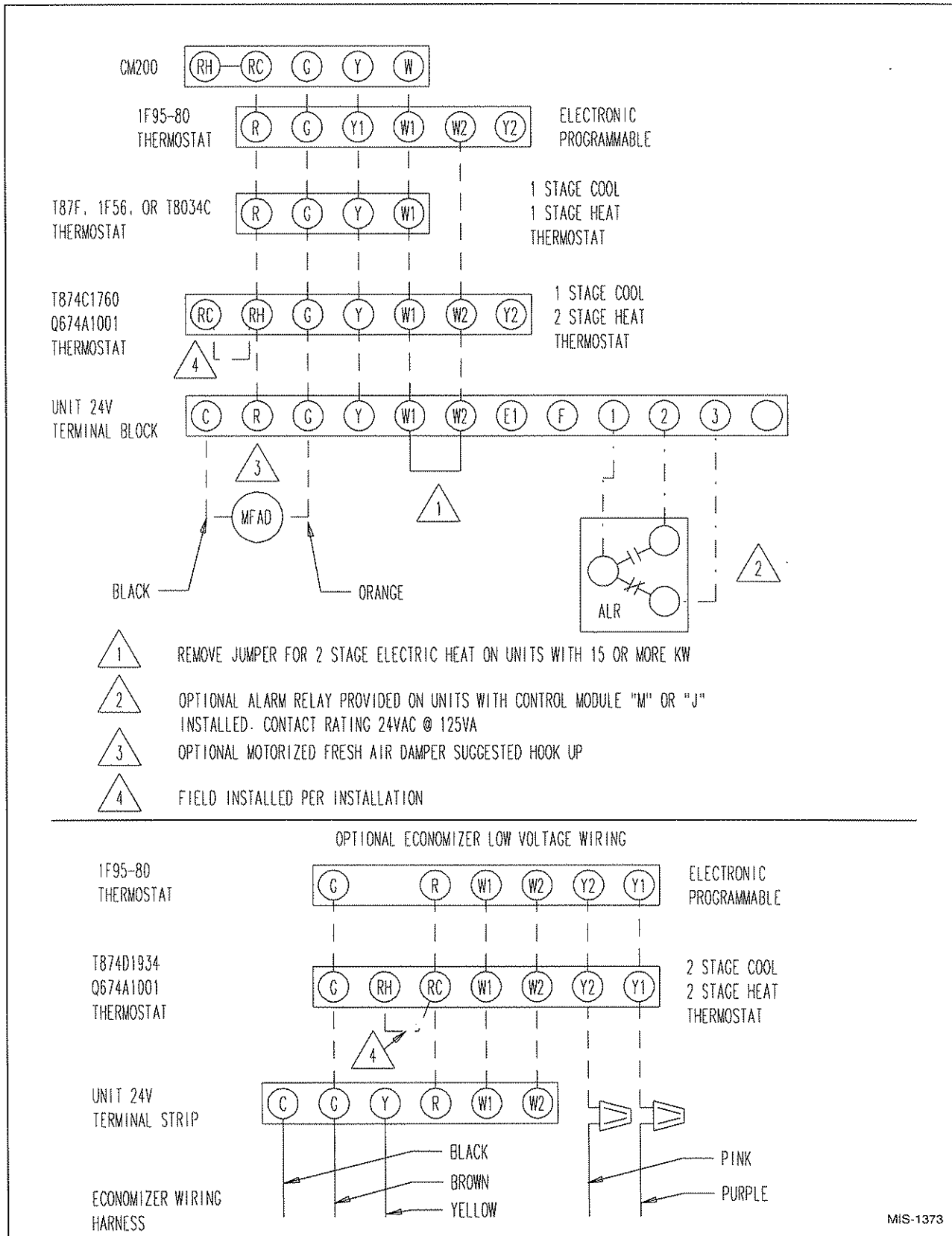
**TABLE 3  
THERMOSTAT WIRE SIZE**

Transformer VA	FLA	Wire Gauge	Maximum Distance in Feet
55	2.3	20 Gauge	45
		18 Gauge	60
		16 Gauge	100
		14 Gauge	160
		12 Gauge	250

**TABLE 4  
WALL THERMOSTAT and  
SUBBASE COMBINATIONS**

Thermostat	Subbase	Predominate Features
8403-002 T87F3111	8404-003 Q539A1220	1 stage heat, 1 stage cool System: heat-off-cool Fan: auto-on
8403-041 T8034C	---	1 stage heat, 1 stage cool System: heat-off-cool Fan: auto-on
8403-019 T874C1760	8404-012 Q674A1001	1 stage cool, 2 stage heat System: heat-auto-cool Fan: auto-on
8403-021 T874D1934	8404-012 Q674A1001	2 stage cool, 2 stage heat System: heat-auto-cool Fan: auto-on
8403-035 1F95-80	---	2 stage cool, 2 stage heat Electronic 7 day programming
8403-043 CM-200	---	1 stage heat, 1 stage cool System: heat-off-cool Fan: auto-on

**FIGURE 7  
LOW VOLTAGE WIRING DIAGRAM**



MIS-1373

## IMPORTANT INSTALLER NOTE

For improved start-up performance, wash the indoor coil with a dishwasher detergent.

## HIGH PRESSURE SWITCH

The WL251 models are supplied with a remote reset high pressure switch. If tripped, this pressure switch may be reset by turning the thermostat off then back on again.

## THREE PHASE SCROLL COMPRESSOR START UP INFORMATION

Scroll compressors, like several other types of compressors, will only compress in one rotational direction. Direction of rotation is not an issue with single phase compressors since they will always start and run in the proper direction.

However, three phase compressors will rotate in either direction depending upon phasing of the power. Since there is a 50-50 chance of connecting power in such a way as to cause rotation in the reverse direction, verification of proper rotation must be made. All three phase units incorporate a phase monitor to ensure proper field wiring. See the *Phase Monitor* section later in this manual.

Verification of *proper rotation* must be made any time a compressor is changed or rewired. If improper rotation is corrected at this time there will be no negative impact on the durability of the compressor. However, reverse operation for over one hour may have a negative impact on the bearing due to oil pump out.

*NOTE: If compressor is allowed to run in reverse rotation for several minutes, the compressor's internal protector will trip.*

All three phase ZR3 compressors are wired identical internally. As a result, once the correct phasing is determined for a specific system or installation, connecting properly phased power leads to the same Fusite terminal should maintain proper rotation direction.

Verification of proper rotation direction is made by observing that suction pressure drops and discharge pressure rises when the compressor is energized. Reverse rotation also results in an elevated sound level over that with correct rotations, as well as, substantially reduced current draw compared to tabulated values.

The direction of rotation of the compressor may be changed by reversing any two line connections to the unit.

## SERVICE HINTS

1. Caution homeowner to maintain clean air filters at all times. Also, not to needlessly close off supply and return air registers. This reduces air flow through the system, which shortens equipment service life as well as increasing operating costs.
2. Check all power fuses or circuit breakers to be sure they are the correct rating.
3. Periodic cleaning of the outdoor coil to permit full and unrestricted airflow circulation is essential.

## SEQUENCE OF OPERATION

**COOLING** – Circuit R-Y makes at thermostat pulling in compressor contactor, starting the compressor and outdoor motor. The G (indoor motor) circuit is automatically completed on any call for cooling operation or can be energized by manual fan switch on subbase for constant air circulation. On all 230 volt units there is a one minute off delay on the blower motor. 460 volt models do not have an off delay.

**HEATING** – Circuit R-W1 make at the thermostat pulling in heat contact for the strip heat and blower operation. On a call for second stage heat, R-W2 makes bringing on second heat contactor, if so equipped.

## COMPRESSOR CONTROL MODULE

The compressor control module is optional on the models covered by this manual. The compressor control is an anti-short cycle/lockout timer with high and low pressure switch monitoring and alarm relay output.

### Adjustable Delay On Make And Break Timer

On initial power up or any time power is interrupted to the unit the *delay on make* period begins which will be 2 minutes plus 10% of the *delay on break* setting. When the delay on make is complete and the high pressure switch (and low pressure switch if employed) is closed, the compressor contactor is energized. Upon shutdown the delay or break timer starts and prevents restart until the delay on break and delay on make periods have expired.

During routine operation of the unit with no power interruptions the compressor will operate on demand with no delay.

## High Pressure Switch and Lockout Sequence

If the high pressure switch opens, the compressor contactor will de-energize immediately. The lockout timer will go into a *soft lockout* and stay in soft lockout until the high pressure switch closes and the delay on break time has expired. If the high pressure switch opens again in this same operating cycle the unit will go into *manual lockout* condition and the alarm relay circuit will energize. Recycling the wall thermostat resets the manual lockout.

## Low Pressure Switch, Bypass, and Lockout Sequence

If the low pressure switch opens for more than 120 seconds, the compressor contactor will de-energize and go into a soft lockout. Regardless the state of the low pressure switch, the contactor will reenergize after the delay on make time delay has expired. If the low pressure switch remains open, or opens again for longer than 120 seconds the unit will go into manual lockout condition and the alarm relay circuit will energize. Recycling the wall thermostat resets the manual lockout.

## Alarm Relay Output

Alarm terminal is output connection for applications where alarm relay is employed. This terminal is powered whenever compressor is locked out due to HPC or LPC sequences as described.

*NOTE: Both high and low pressure switch controls are inherently automatic reset devices. The high pressure switch and low pressure switch cut out and cut in settings are fixed by specific air conditioner or heat pump unit model. The lockout features, both soft and manual, are a function of the Compressor Control Module.*

## ADJUSTMENTS

### Adjustable Delay on Make and Delay on Break Timer

The potentiometer is used to select Delay on Break time from 30 seconds to 5 minutes. Delay on Make (DOM) timing on power-up and after power interruptions is equal to 2 minutes plus 10% of Delay on Break (DOB) setting:

0.5 minute (30 seconds)	DOB = 123	second	DOM
1.0 minute (60 seconds)	DOB = 126	second	DOM
2.0 minutes (120 seconds)	DOB = 132	second	DOM
3.0 minutes (180 seconds)	DOB = 138	second	DOM
4.0 minutes (240 seconds)	DOB = 144	second	DOM
5.0 minutes (300 seconds)	DOB = 150	second	DOM

During routine operation of the unit with no power interruptions the compressor will operate on demand with no delay.

### Typical Settings for Dual Unit Installation:

Unit 1: DOB set at 2 minutes, and DOM is 132 seconds

Unit 2: DOB set at 4 minutes, and DOM is 144 seconds

## PHASE MONITOR

All units with three phase compressors are equipped with a 3 phase line monitor to prevent compressor damage due to phase reversal.

The phase monitor in this unit is equipped with two LEDs. If the Y signal is present at the phase monitor and phases are correct the green LED will light.

If phases are reversed, the red fault LED will be lit and compressor operation is inhibited.

If a fault condition occurs, reverse two of the supply leads to the unit. Do not reverse any of the unit factory wires as damage may occur.

## PRESSURE SERVICE PORTS

High and low pressure service ports are installed on all units so that the system operating pressures can be observed. Pressure tables can be found later in the manual covering all models. It is imperative to match the correct pressure table to the unit by model number.

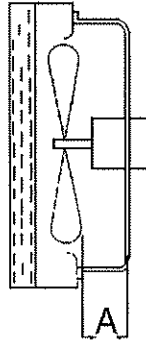
# Troubleshooting

## Fan Blade Setting Dimensions

Shown in the drawing below are the correct fan blade setting dimensions for proper air delivery across the outdoor coil.

Any service work requiring removal or adjustment in the fan and/or motor area will require that the dimensions below be checked and blade adjusted in or out on the motor shaft accordingly.

**FIGURE 8  
FAN BLADE SETTING**



**TABLE 5  
FAN BLADE DIMENSION**

Model	Dimension A
WL252	1.00

## Removal of Fan Shroud

1. Disconnect all power to unit.
2. Remove the screws holding both grills – one on each side of unit – and remove grills.
3. Remove screws holding fan shroud to condenser and bottom – 9 screws.
4. Unwire condenser fan motor.
5. Slide complete motor, fan blade, and shroud assembly out the right side of the unit.
6. Service motor/fan as needed.
7. Reverse steps to reinstall.

## Refrigerant Charge

The correct system R-22 charge is shown on the unit rating plate. Optimum unit performance will occur with a refrigerant charge resulting in a suction line temperature 6 inches from compressor) as shown in Table 6.

The suction line temperatures shown in Table 6 are based upon 80°F dry bulb/67°F wet bulb (50 percent R.H.) temperature and rated airflow across the evaporator during cooling cycle.

**TABLE 6  
SUCTION LINE TEMPERATURES**

Model	Rated Airflow	95° F OD Temperature	82° F OD Temperature
WL252	800	54 - 56	61 - 63

**TABLE 7  
INDOOR BLOWER PERFORMANCE  
CFM at 230V**

E.S.P. in H <sub>2</sub> O	WL252	
	Dry	Wet
.0	1020	975
.1	960	905
.2	865	800
.3	820	735
.4	735	650
.5	615	535

**TABLE 8  
CFM and ESP**

Model	Rated CFM *	Rated ESP *	Recommended Airflow Range
WL252	800	.20	700 - 950

\* Rated CFM and EXP on high speed tap.

**TABLE 9  
MAXIMUM ESP OF OPERATION  
ELECTRIC HEAT ONLY**

Model	ESP	
WL252	A0Z	.50
	A05	.50
	A08	.50
	A10	.50
WL252	B00	.50
	B06	.50

Values shown are for units equipped with standard 1" throwaway filter or 1" washable filter. Derate ESP by .15 for 2" pleated filters.

**TABLE 10**  
**COOLING PRESSURE – OUTDOOR TEMPERATURE °F**

Model	Return Air Temperature	Pressure	75	80	85	90	95	100	105	110	115
WL252	75 DB	Low Side	68	70	72	74	75	77	78	79	79
	62 WB	High Side	207	221	236	252	268	286	304	323	342
	80 DB	Low Side	73	75	77	79	80	82	83	84	85
	67 WB	High Side	212	227	242	258	275	293	312	331	351
	85 DB	Low Side	76	78	80	82	83	85	86	87	88
	72 WB	High Side	219	235	250	267	285	303	323	343	363

Low side pressure ± 2 PSIG

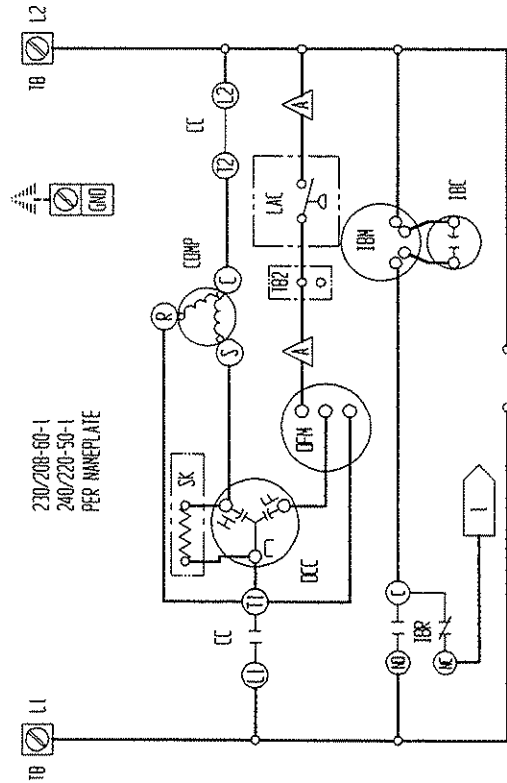
High side pressure ± 5 PSIG

Table based upon rated CFM (airflow) across the evaporator coil and should be found under section titled "Refrigerant Charge" elsewhere in manual. If there is any doubt as to correct operating charge being in the system, the charge should be removed, system evacuated, and recharged to serial plate instructions.

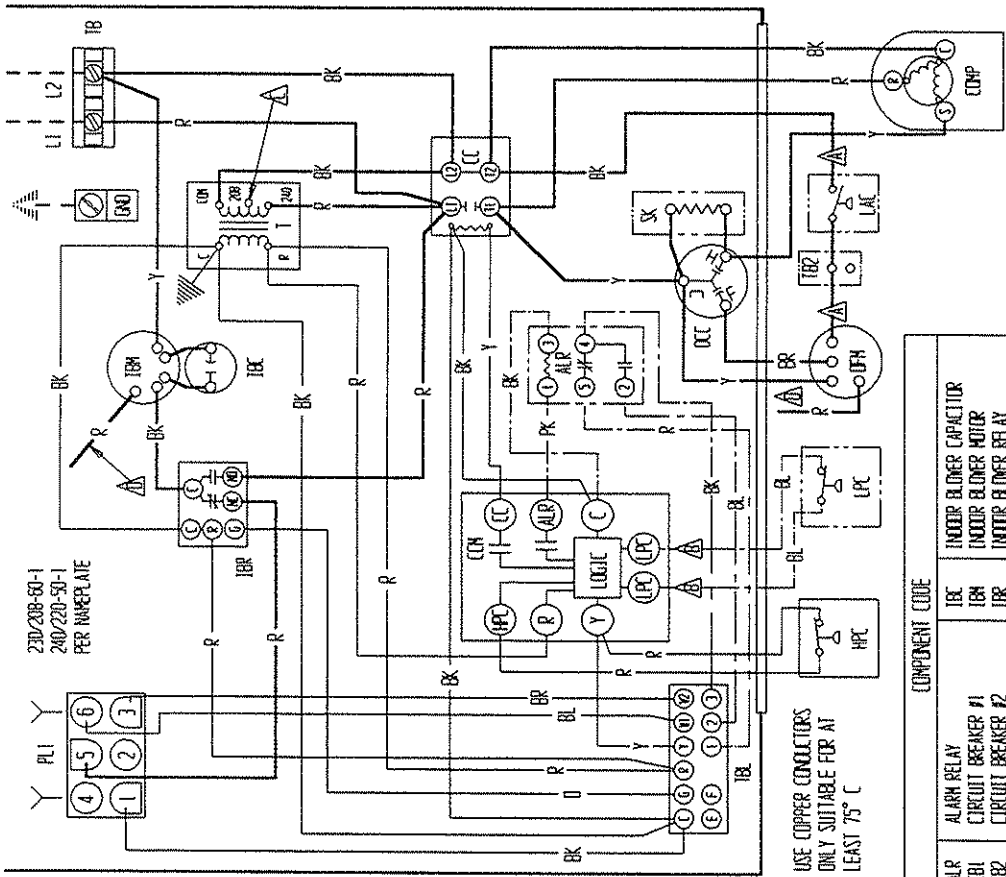
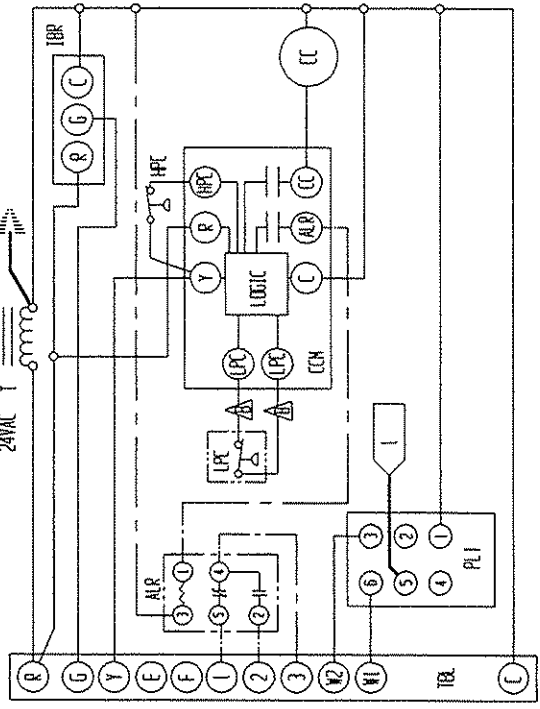
**TABLE 11**  
**OPTIONAL ACCESSORIES**

Part Number	Description	WL252-A	WL252-B
BOP-2	Blank Off Plate	X	X
BFAD-2	Barometric Fresh Air Damper	X	X
MFAD-2	Motorized Fresh Air Damper	X	X
CRV-2	Commercial Room Ventilator	X	X
EIFM-2	Economizer with Exhaust	X	X
CMC-15	Start Kit	X	N/A





230/208-60-1  
240/220-50-1  
PER NAMEPLATE

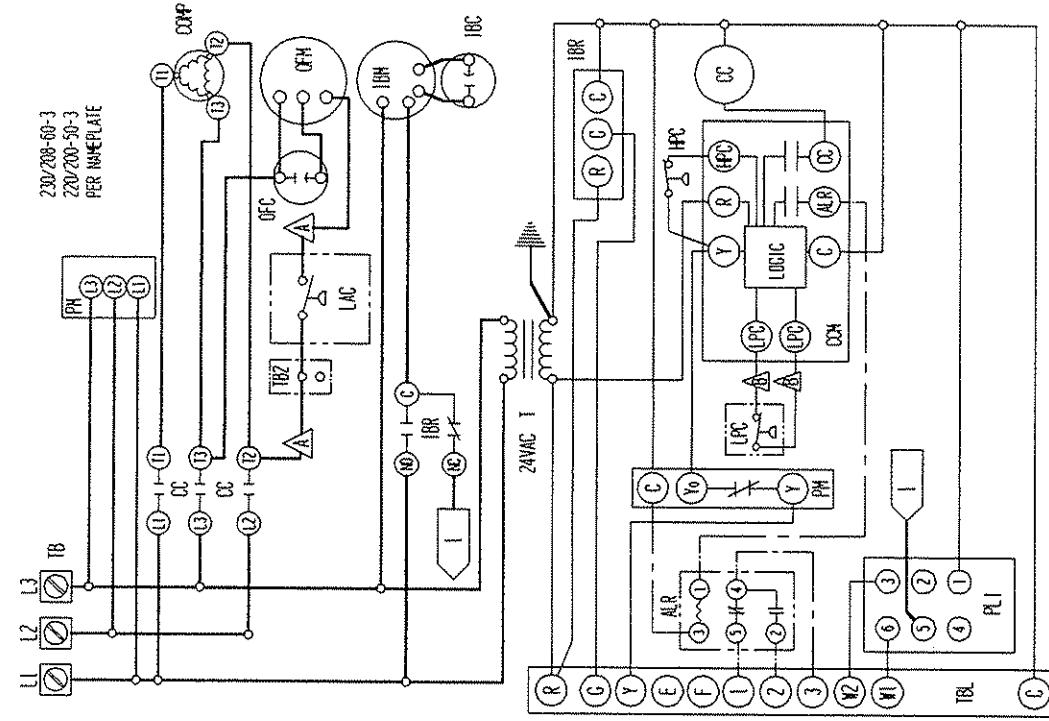


230/208-60-1  
240/220-50-1  
PER NAMEPLATE

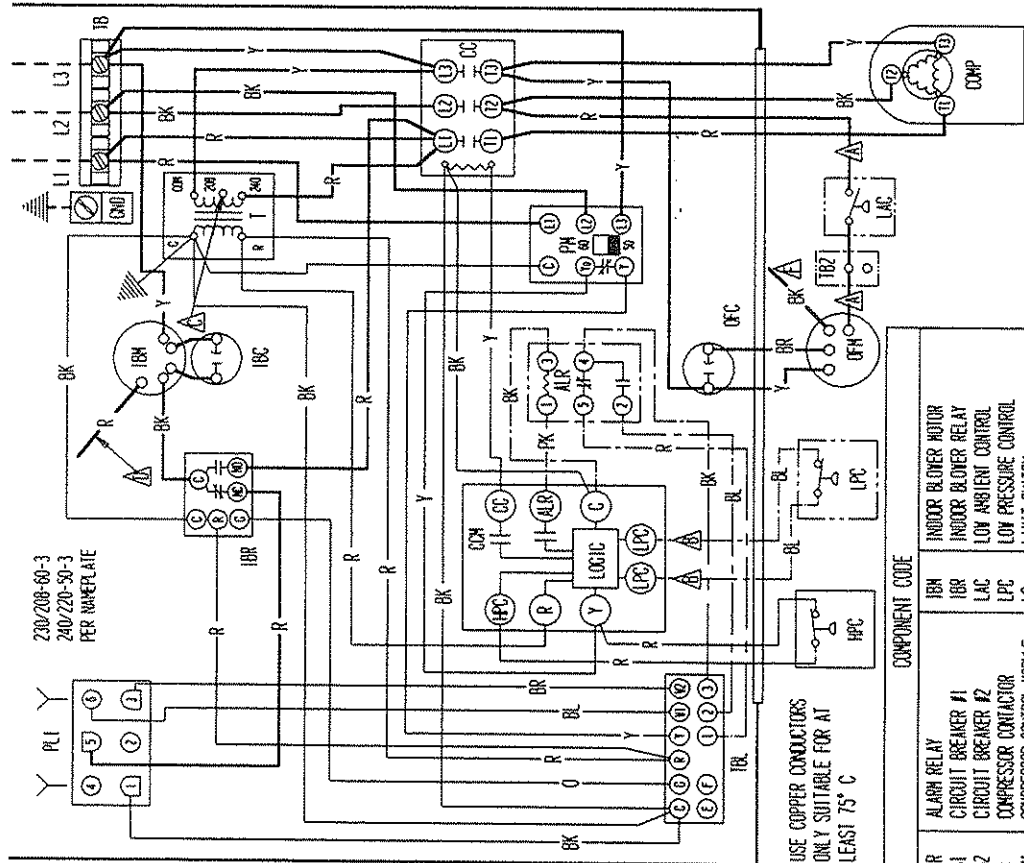
USE COPPER CONDUCTORS  
ONLY SUITABLE FOR AT  
LEAST 75° C

COMPONENT CODE	
ALR	ALARM RELAY
CB1	CIRCUIT BREAKER #1
CB2	CIRCUIT BREAKER #2
CC	COMPRESSOR CONTACTOR
CCM	COMPRESSOR CONTROL MODULE
COMP	COMPRESSOR
DCC	DUAL CAN CAPACITOR
END	EQUIPMENT GROUND
H1	HEAT STRIP #1
H2	HEAT STRIP #2
HC1	HEATER CONTACTOR #1
HC2	HEATER CONTACTOR #2
HPC	HIGH PRESSURE CONTROL
IBR	INDOOR BLOWER CAPACITOR
IBN	INDOOR BLOWER MOTOR
IBK	INDOOR BLOWER RELAY
LAC	LOW AMBIENT CONTROL
LPC	LOW PRESSURE CONTROL
LS	LIMIT SWITCH
OPM	OUTDOOR FAN MOTOR
PL1	PLUG #1
SK	START KIT
T	TRANSFORMER
IB, IB2	TERMINAL BLOCK
IBL	LOW VOLTAGE TERMINAL BLOCK
ICD	THERMAL CUTOFF

▲ Labeled wires connect if no options used. ▲ Move red wire to 208V tap for 208V operation ▲ Red (low) black (high) where applicable	
▲ Factory sid.    Field    Optional	
HIGH VOLTAGE LOW VOLTAGE ACCESSORY	BLACK    BROWN    RED    ORANGE Y    G    BL    W V    (FR)    GY    (S) VIOLLET    PURPLE    GRAY    SLATE TAN    PINK    LAVENDER
COLOR CODE BARD MFG. CO. 4095-128 A	



230/208-60-3  
220/200-50-3  
PER NAMEPLATE



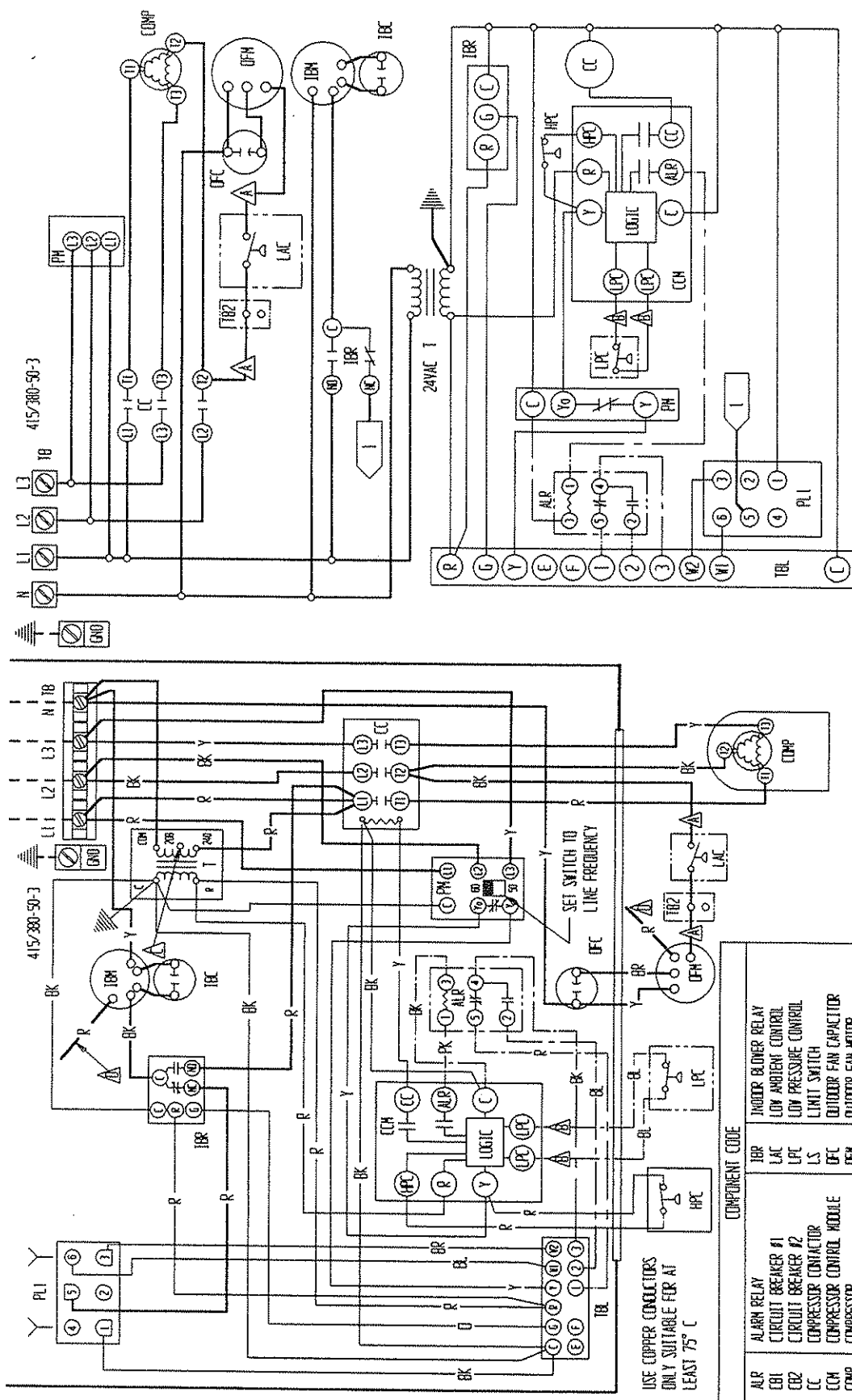
230/208-60-3  
240/220-50-3  
PER NAMEPLATE

USE COPPER CONDUCTORS  
ONLY SUITABLE FOR AT  
LEAST 75° C

COMPONENT CODE

ALR	ALARM RELAY	IBR	INDOOR BLOWER MOTOR
CB1	CIRCUIT BREAKER #1	IBR	INDOOR BLOWER RELAY
CB2	CIRCUIT BREAKER #2	LAC	LOW AMBIENT CONTROL
CC	COMPRESSOR CONTACTOR	LPC	LOW AMBIENT CONTROL
CCM	COMPRESSOR CONTROL MODULE	LS	LIMIT SWITCH
CCM	COMPRESSOR CONTROL MODULE	OFH	OUTDOOR FAN CAPACITOR
CCM	COMPRESSOR CONTROL MODULE	OFH	OUTDOOR FAN MOTOR
CCM	COMPRESSOR CONTROL MODULE	PH	PHASE MONITOR
CCM	COMPRESSOR CONTROL MODULE	PH	PHASE MONITOR
CCM	COMPRESSOR CONTROL MODULE	T	TRANSFORMER
CCM	COMPRESSOR CONTROL MODULE	T	TRANSFORMER
CCM	COMPRESSOR CONTROL MODULE	TBL	TERMINAL BLOCK
CCM	COMPRESSOR CONTROL MODULE	TBL	TERMINAL BLOCK
CCM	COMPRESSOR CONTROL MODULE	TCD	THERMAL CUTOFF
CCM	COMPRESSOR CONTROL MODULE	TCD	THERMAL CUTOFF

<p>△ . △ Labeled wires connect if no options used.</p> <p>△ Move red wire to 208V tap for 208V operation</p> <p>△ Red (low) black (high) wire applicable here</p>	<p>Factory Std. Field Optional</p> <p>High Voltage Low Voltage Accessory</p>	<p>Color Code</p> <table border="1"> <tr><td>Y</td><td>Black</td></tr> <tr><td>G</td><td>Brown</td></tr> <tr><td>BL</td><td>Red</td></tr> <tr><td>W</td><td>Orange</td></tr> <tr><td>W</td><td>White</td></tr> <tr><td>Y</td><td>Yellow</td></tr> <tr><td>V</td><td>Green</td></tr> <tr><td>PR</td><td>Purple</td></tr> <tr><td>GY</td><td>Gray</td></tr> <tr><td>(S)</td><td>Slate</td></tr> <tr><td>L</td><td>Light Blue</td></tr> <tr><td>PK</td><td>Pink</td></tr> <tr><td>TAN</td><td>Tan</td></tr> <tr><td>LAVENDER</td><td>Lavender</td></tr> </table>	Y	Black	G	Brown	BL	Red	W	Orange	W	White	Y	Yellow	V	Green	PR	Purple	GY	Gray	(S)	Slate	L	Light Blue	PK	Pink	TAN	Tan	LAVENDER	Lavender	<p>BARD MFG. CO.</p> <p>4095-227 C</p>
Y	Black																														
G	Brown																														
BL	Red																														
W	Orange																														
W	White																														
Y	Yellow																														
V	Green																														
PR	Purple																														
GY	Gray																														
(S)	Slate																														
L	Light Blue																														
PK	Pink																														
TAN	Tan																														
LAVENDER	Lavender																														



415/380-50-3

415/380-50-3

USE COPPER CONDUCTORS  
ONLY SUITABLE FOR AT  
LEAST 75° C

COMPONENT CODE	
ALR	ALARM RELAY
CB1	CIRCUIT BREAKER #1
CB2	CIRCUIT BREAKER #2
CC	COMPRESSOR CONTACTOR
CCM	COMPRESSOR CONTROL MODULE
CCP	COMPRESSOR
GND	EQUIPMENT GROUND
H1	HEAT STRIP #1
H2	HEAT STRIP #2
H21	HEATER CONTACTOR #1
H22	HEATER CONTACTOR #2
HPC	HIGH PRESSURE CONTROL
IBF	INDOOR BLOWER CAPACITOR
IBM	INDOOR BLOWER MOTOR
IBR	INDOOR BLOWER RELAY
LAC	LOW AMBIENT CONTROL
LFC	LOW PRESSURE CONTROL
LS	LIMIT SWITCH
OFC	OUTDOOR FAN CAPACITOR
OFM	OUTDOOR FAN MOTOR
PL1	PLUG #1
PN	PHASE MONITOR
T	TRANSFORMER
TB, TB2	TERMINAL BLOCK
TBL	LOW VOLTAGE TERMINAL BLOCK
TCD	THERMAL CUTOFF

<p>▲ Labeled wires connect if no options used.</p> <p>▲ Move red wire to 208V tap for 208V operation.</p> <p>▲ Red (low) black (high) were applicable.</p>	<p>▲ HIGH VOLTAGE</p> <p>▲ LOW VOLTAGE</p> <p>▲ ACCESSORY</p>	<p>FACTORY STD. ---</p> <p>FIELD ---</p> <p>OPTIONAL ---</p>	<table border="1"> <tr> <th colspan="2">COLOR CODE</th> </tr> <tr> <td>Y</td> <td>YELLOW</td> </tr> <tr> <td>G</td> <td>GREEN</td> </tr> <tr> <td>B</td> <td>BLUE</td> </tr> <tr> <td>W</td> <td>WHITE</td> </tr> <tr> <td>BL</td> <td>BLACK</td> </tr> <tr> <td>BR</td> <td>BROWN</td> </tr> <tr> <td>R</td> <td>RED</td> </tr> <tr> <td>O</td> <td>ORANGE</td> </tr> <tr> <td>V</td> <td>VIOLET</td> </tr> <tr> <td>PK</td> <td>PINK</td> </tr> <tr> <td>P</td> <td>PURPLE</td> </tr> <tr> <td>GY</td> <td>GRAY</td> </tr> <tr> <td>S</td> <td>SLATE</td> </tr> <tr> <td>L</td> <td>LAVENDER</td> </tr> <tr> <td>PK</td> <td>PINK</td> </tr> <tr> <td>L</td> <td>LAVENDER</td> </tr> <tr> <td>FAN</td> <td>FAN</td> </tr> </table>	COLOR CODE		Y	YELLOW	G	GREEN	B	BLUE	W	WHITE	BL	BLACK	BR	BROWN	R	RED	O	ORANGE	V	VIOLET	PK	PINK	P	PURPLE	GY	GRAY	S	SLATE	L	LAVENDER	PK	PINK	L	LAVENDER	FAN	FAN
COLOR CODE																																							
Y	YELLOW																																						
G	GREEN																																						
B	BLUE																																						
W	WHITE																																						
BL	BLACK																																						
BR	BROWN																																						
R	RED																																						
O	ORANGE																																						
V	VIOLET																																						
PK	PINK																																						
P	PURPLE																																						
GY	GRAY																																						
S	SLATE																																						
L	LAVENDER																																						
PK	PINK																																						
L	LAVENDER																																						
FAN	FAN																																						
<p>BARD MFG. CO.</p> <p>4095-620 C</p>																																							