
FR25 DOWNFLOW FILTER KIT FOR USE WITH FURNACE MODEL FC085D36E

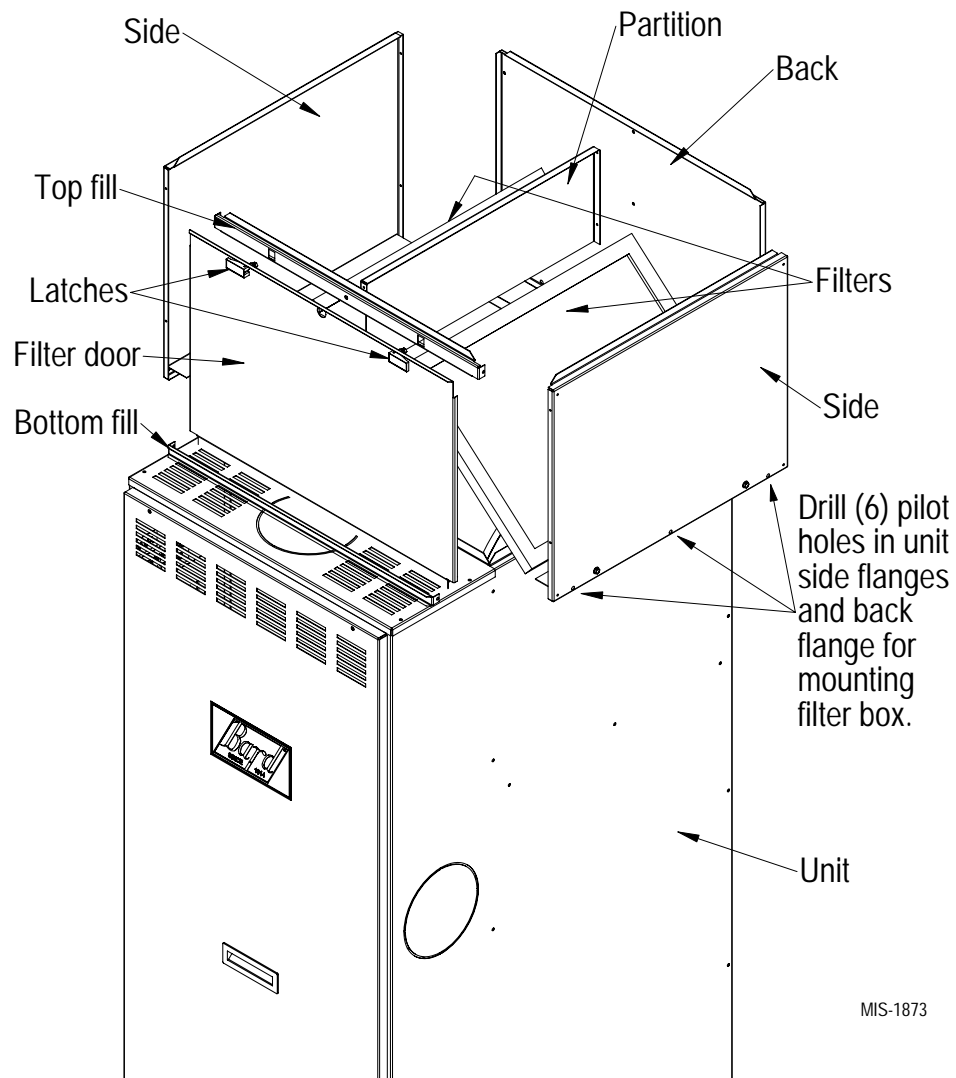


Climate Control Solutions
Bard Manufacturing Company
Bryan, Ohio 43506

This filter kit is designed for use with the FC085D36E oil furnace model. The kit includes a sheetmetal enclosure and two washable air filters. The front filter access panel has two latches that do not require the use of a tool allowing easy access to the filters for cleaning.

Assemble the enclosure as shown below and install on return side (top) of the furnace. Fasten to furnace with 3/4" screws provided and seal with tape to prevent leakage.

ASSEMBLY AND MOUNTING OF ENCLOSURE



MIS-1873